



US00D728985S

(12) **United States Design Patent**
Brunner et al.

(10) **Patent No.:** **US D728,985 S**

(45) **Date of Patent:** **** May 12, 2015**

(54) **ICE AND WATER DISPENSER**

(56) **References Cited**

(71) Applicants: **Roger P. Brunner**, Wind Gap, PA (US);
Steven R. Follett, Bethlehem, PA (US);
Matthew S. Greene, Northampton, PA
(US); **Michael A. Rice**, Bethlehem, PA
(US); **Michael S. Yautz**, Easton, PA
(US); **Robert Hettinger**, Philadelphia,
PA (US)

U.S. PATENT DOCUMENTS

2,779,165	A	1/1957	Pichler et al.	
3,080,884	A	3/1963	Nelson et al.	
3,341,065	A	9/1967	Schuldt et al.	
3,771,560	A	11/1973	Conti et al.	
4,123,918	A	11/1978	Kohl et al.	
4,248,276	A	2/1981	Gosnell	
4,796,441	A	1/1989	Goldstein	
D299,900	S *	2/1989	Marotta	D7/309
D322,534	S *	12/1991	Chaney	D7/306
5,112,477	A	5/1992	Hamlin	
5,125,242	A	6/1992	von Blanquet	
D333,405	S	2/1993	Moyer, Jr. et al.	
5,211,030	A	5/1993	Jameson	
5,394,708	A	3/1995	Whinery et al.	
5,542,573	A	8/1996	Frantz	
5,797,514	A	8/1998	Twiggaar et al.	

(72) Inventors: **Roger P. Brunner**, Wind Gap, PA (US);
Steven R. Follett, Bethlehem, PA (US);
Matthew S. Greene, Northampton, PA
(US); **Michael A. Rice**, Bethlehem, PA
(US); **Michael S. Yautz**, Easton, PA
(US); **Robert Hettinger**, Philadelphia,
PA (US)

(Continued)

(73) Assignee: **Follett Corporation**, Easton, PA (US)

FOREIGN PATENT DOCUMENTS

(**) Term: **14 Years**

JP	03260574	11/1991
JP	2002022325	1/2002

(21) Appl. No.: **29/479,825**

(Continued)

(22) Filed: **Jan. 21, 2014**

OTHER PUBLICATIONS

<http://www.quenchonline.com/water-cooler-products> Quench 975
May 5, 2012.*

Related U.S. Application Data

(63) Continuation of application No. 12/544,565, filed on
Aug. 20, 2009, now Pat. No. 8,756,950.

Primary Examiner — Marianne Pandozzi

Assistant Examiner — Jae Liang

(51) **LOC (10) Cl.** **07-01**

(74) *Attorney, Agent, or Firm* — Paul & Paul

(52) **U.S. Cl.**

(57) **CLAIM**
The design for ice and water dispenser.

USPC **D7/308**; D7/305; D7/311

DESCRIPTION

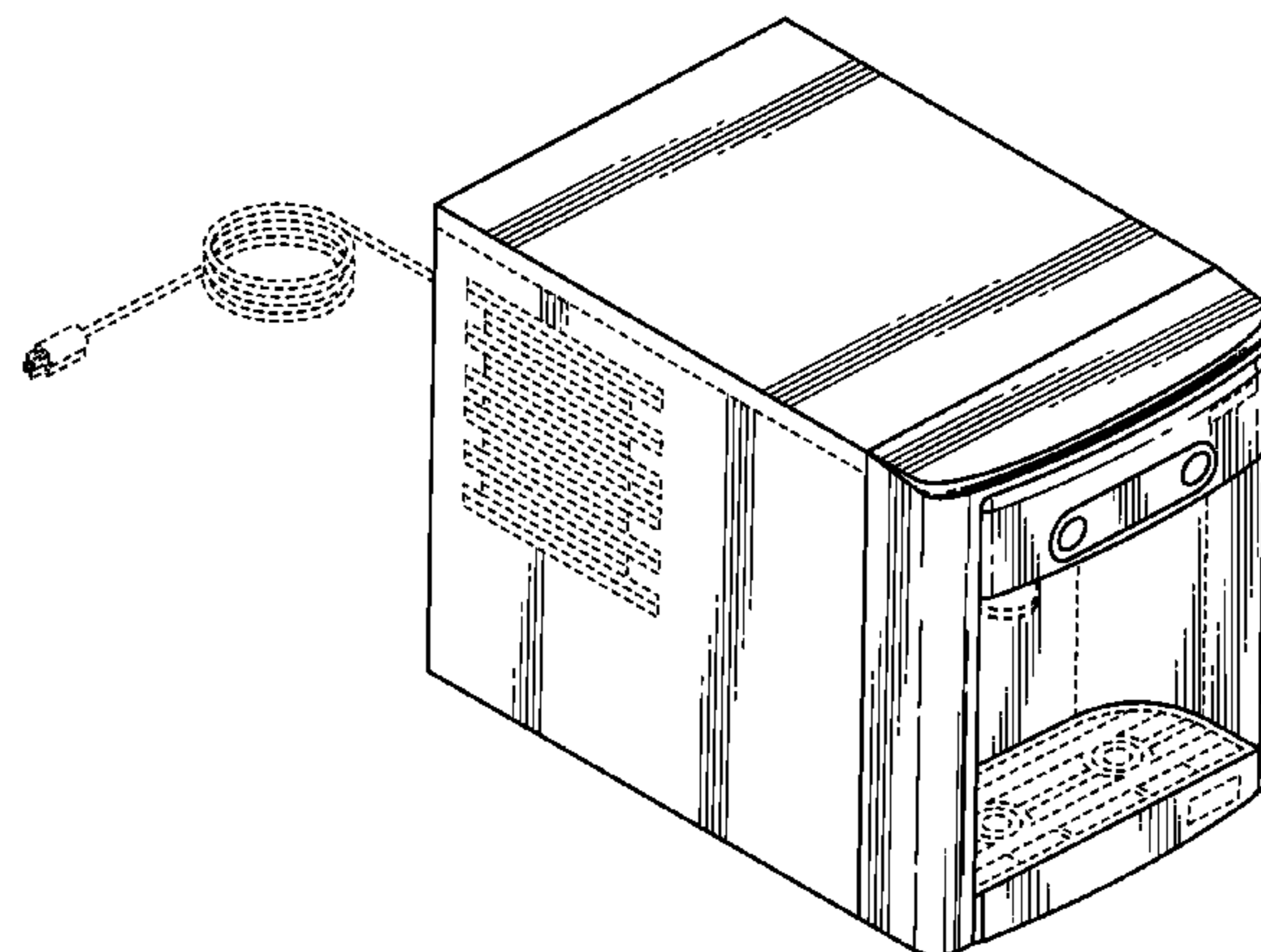
(58) **Field of Classification Search**

CPC A47J 31/44; A47J 31/42
USPC D7/300, 300.1, 300.2, 304-318, 326,
D7/397-399, 386; 99/281, 305, 307, 279;
222/146.6, 185.1, 129.1, 129.3, 145.6;
221/10, 96, 104, 124, 126; 62/390,
62/395, 398, 394, 177; D15/89; 141/360

FIG. 1 is front view of an ice and water dispenser of this
invention; and,
FIG. 2 is a perspective illustration of the front, top and left
side views of the ice and water dispenser of FIG. 1.
The broken lines in the drawings are included for the purpose
of illustrating environment and form no part of the claimed
design.

See application file for complete search history.

1 Claim, 2 Drawing Sheets



(56)

References Cited

U.S. PATENT DOCUMENTS

5,887,758 A 3/1999 Hawkes et al.
 5,950,866 A 9/1999 Lancaster
 5,987,900 A 11/1999 Love
 D423,861 S * 5/2000 Graffius D7/305
 6,134,908 A 10/2000 Brunner et al.
 6,321,802 B1 11/2001 Weeks et al.
 6,561,691 B1 5/2003 McCann et al.
 6,591,877 B1 * 7/2003 Graffius 141/360
 6,685,053 B2 2/2004 Hawkes et al.
 D499,599 S * 12/2004 Morrison D7/309
 6,860,408 B2 3/2005 Hawkes et al.
 D510,674 S * 10/2005 Smith et al. D7/306
 D510,675 S * 10/2005 Ball D7/306
 6,952,935 B2 10/2005 Vorosmarti et al.
 D515,348 S * 2/2006 McWilliam D7/309
 D524,588 S * 7/2006 Copland D7/309
 7,096,686 B2 8/2006 Brunner et al.
 7,137,271 B2 11/2006 Hawkes et al.
 7,263,844 B2 9/2007 Brunner et al.
 D551,901 S * 10/2007 Hulett et al. D7/399
 D554,930 S * 11/2007 Lavy D7/307
 D556,494 S * 12/2007 Adachi et al. D7/308
 7,322,201 B2 1/2008 Brunner et al.
 D568,913 S * 5/2008 Suh et al. D15/89

7,415,834 B2 * 8/2008 Marret et al. 62/177
 7,426,838 B1 9/2008 Shapiro et al.
 D581,716 S * 12/2008 Harris, III D7/307
 7,469,548 B2 12/2008 Brunner et al.
 7,469,552 B2 12/2008 Brunner et al.
 D589,988 S * 4/2009 Martin et al. D15/89
 D600,062 S * 9/2009 Lavy D7/309
 D613,112 S * 4/2010 Lippert et al. D7/397
 D622,533 S * 8/2010 Gross et al. D7/301
 D627,186 S * 11/2010 Romandy D7/306
 D640,083 S * 6/2011 Davenport D7/309
 D642,851 S * 8/2011 Yui D7/307
 D652,244 S * 1/2012 Richardson et al. D7/307
 D696,350 S * 12/2013 d'Amore et al. D20/1
 D706,567 S * 6/2014 Strayle D7/309
 2006/0277928 A1 12/2006 McDougal et al.
 2006/0277937 A1 12/2006 Schlosser et al.
 2008/0011000 A1 1/2008 Brunner et al.
 2008/0022711 A1 1/2008 Brunner et al.
 2008/0196422 A1 8/2008 Lee et al.
 2009/0241782 A1 * 10/2009 Van Dillen et al. 99/279

FOREIGN PATENT DOCUMENTS

JP 2006242453 9/2006
 JP 2006308129 11/2006

* cited by examiner

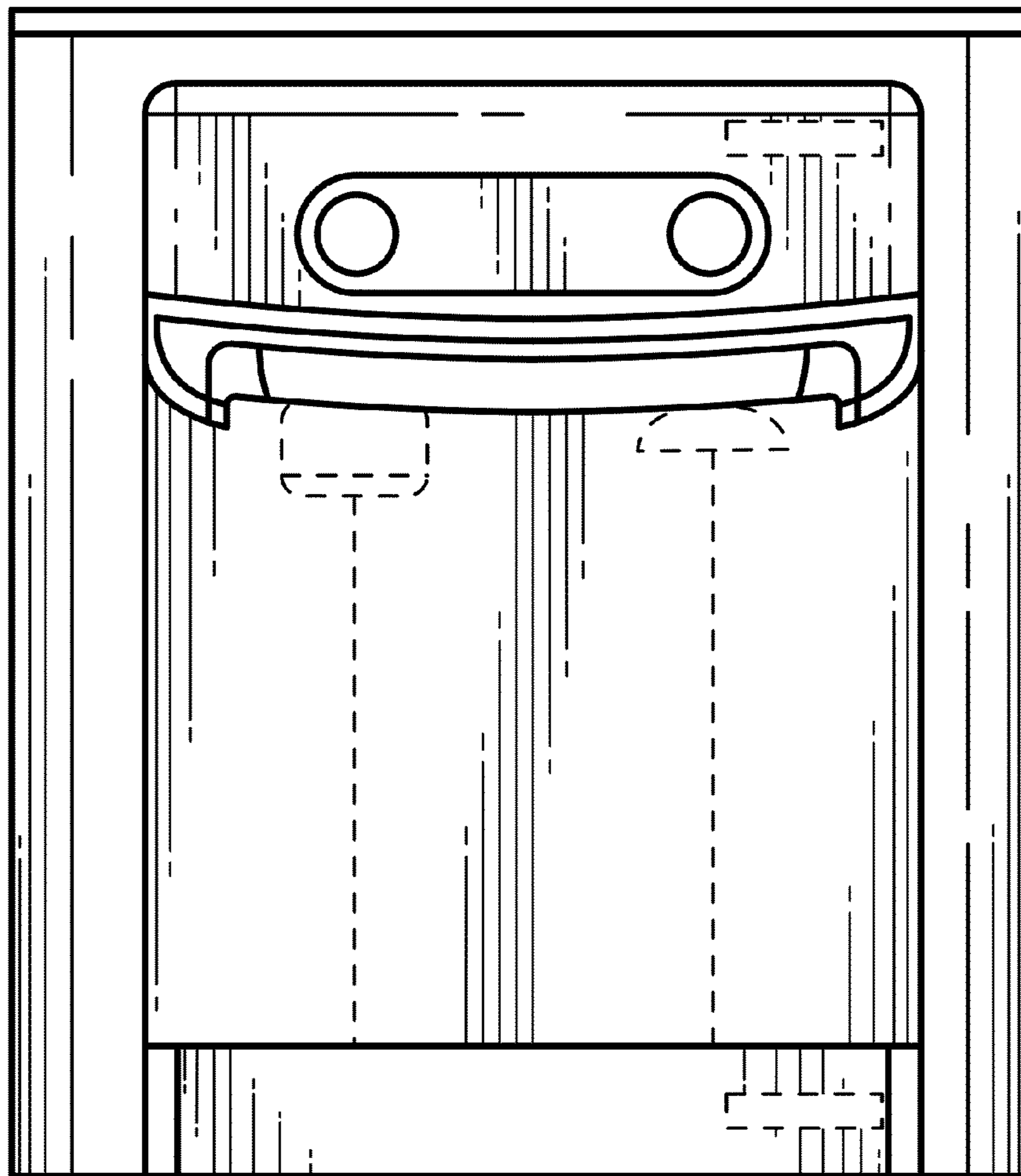


FIG. 1

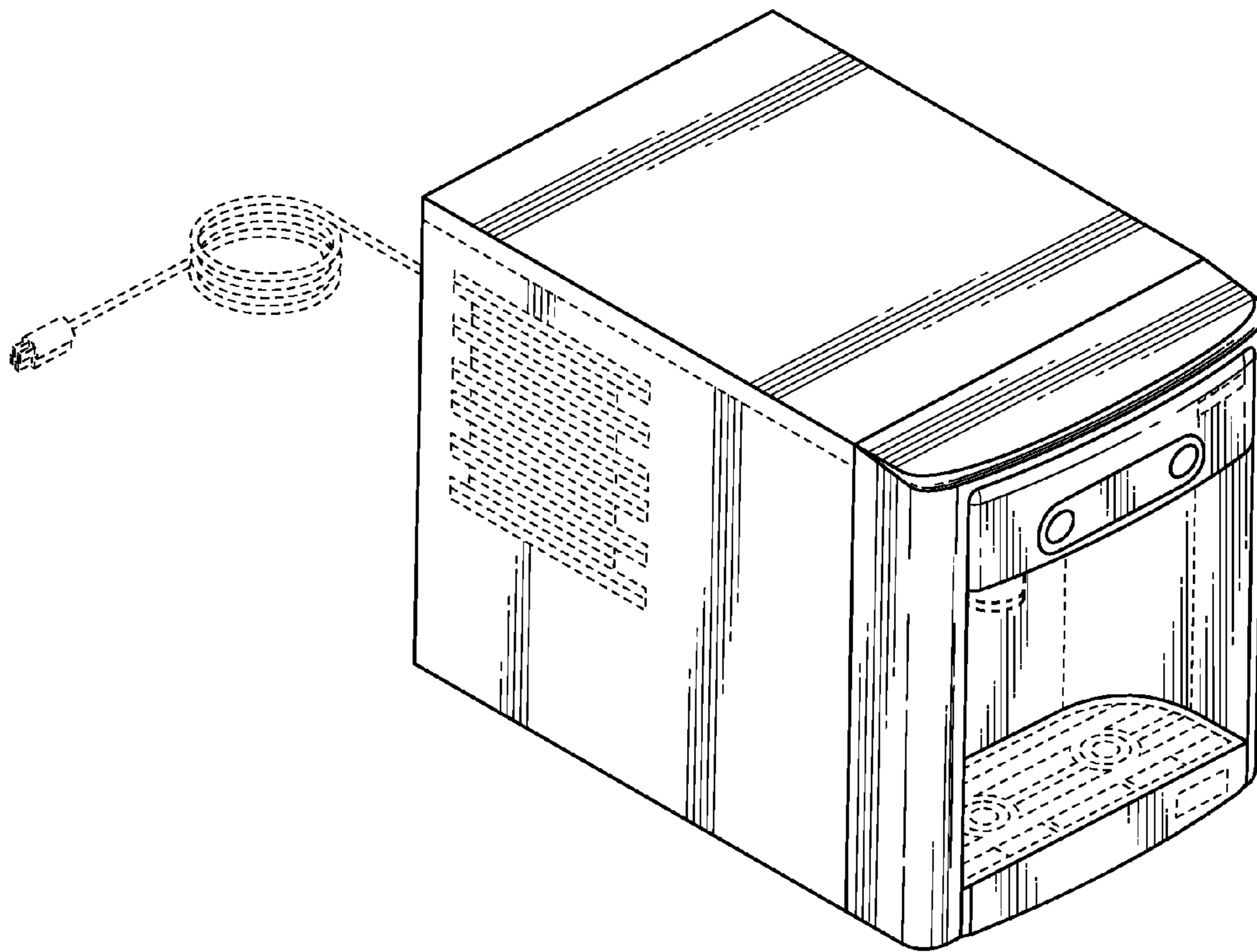


FIG. 2