



US00D728984S

(12) **United States Design Patent**  
**Westin et al.**

(10) **Patent No.:** **US D728,984 S**  
(45) **Date of Patent:** **\*\* May 12, 2015**

- (54) **PLAYARD**
- (71) Applicants: **Lauren Westin**, London (GB); **Matthew L. Rivera**, Mableton, GA (US); **Annette Stella**, Downingtown, PA (US); **Brandon Seth Cross**, Atlanta, GA (US)
- (72) Inventors: **Lauren Westin**, London (GB); **Matthew L. Rivera**, Mableton, GA (US); **Annette Stella**, Downingtown, PA (US); **Brandon Seth Cross**, Atlanta, GA (US)
- (73) Assignee: **Graco Children's Products Inc.**, Atlanta, GA (US)

|              |      |         |                            |
|--------------|------|---------|----------------------------|
| 7,003,821    | B2   | 2/2006  | DeHart et al.              |
| 7,017,203    | B2   | 3/2006  | Chen                       |
| D537,277     | S    | 2/2007  | Chen                       |
| 7,404,219    | B2   | 7/2008  | Berkey                     |
| D604,970     | S    | 12/2009 | Troutman et al.            |
| D615,822     | S    | 5/2010  | Klein                      |
| D660,085     | S    | 5/2012  | Boone                      |
| 8,281,431    | B2 * | 10/2012 | Hartenstine ..... 5/93.1   |
| 8,321,973    | B2   | 12/2012 | Bickley                    |
| D700,466     | S *  | 3/2014  | Rivera et al. .... D6/718  |
| 2004/0261174 | A1   | 12/2004 | DeHart et al.              |
| 2005/0229308 | A1   | 10/2005 | Chen                       |
| 2006/0253979 | A1   | 11/2006 | Chen                       |
| 2007/0061961 | A1   | 3/2007  | Shamie                     |
| 2009/0113622 | A1   | 5/2009  | Hartenstine                |
| 2013/0119333 | A1 * | 5/2013  | Gillett et al. .... 256/25 |

- (\*\*) Term: **14 Years**
- (21) Appl. No.: **29/464,860**
- (22) Filed: **Aug. 21, 2013**

**Related U.S. Application Data**

- (62) Division of application No. 29/416,163, filed on Mar. 19, 2012, now Pat. No. Des. 698,592.
- (51) **LOC (10) Cl.** ..... **06-06**
- (52) **U.S. Cl.**  
USPC ..... **D6/718.26**
- (58) **Field of Classification Search**  
USPC ..... D6/718, 718.26, 331, 390, 391; 5/93.1, 5/98.1, 99.1, 101, 658, 503.1, 946  
See application file for complete search history.

**References Cited**

**U.S. PATENT DOCUMENTS**

|           |     |         |                                |
|-----------|-----|---------|--------------------------------|
| D352,203  | S   | 11/1994 | Campbell et al.                |
| 5,867,850 | A   | 2/1999  | Mariol                         |
| D429,929  | S   | 8/2000  | Benson                         |
| 6,192,535 | B1  | 2/2001  | Warner, Jr. et al.             |
| D448,218  | S   | 9/2001  | Celestina-Krevh                |
| D467,758  | S * | 12/2002 | Hartenstine et al. .... D6/495 |
| 6,859,957 | B1  | 3/2005  | Chen                           |
| D510,684  | S   | 10/2005 | Crosby                         |

**OTHER PUBLICATIONS**

Baby Trend Close N Cozy Bassinet Instruction Manual, 2010; printed Oct. 2011.  
Baby Trend Nursery Center Instruction Manual, 2010-2011; printed Jul. 2011.

\* cited by examiner

*Primary Examiner* — Janice Seeger

(74) *Attorney, Agent, or Firm* — Lempia Summerfield Katz LLC

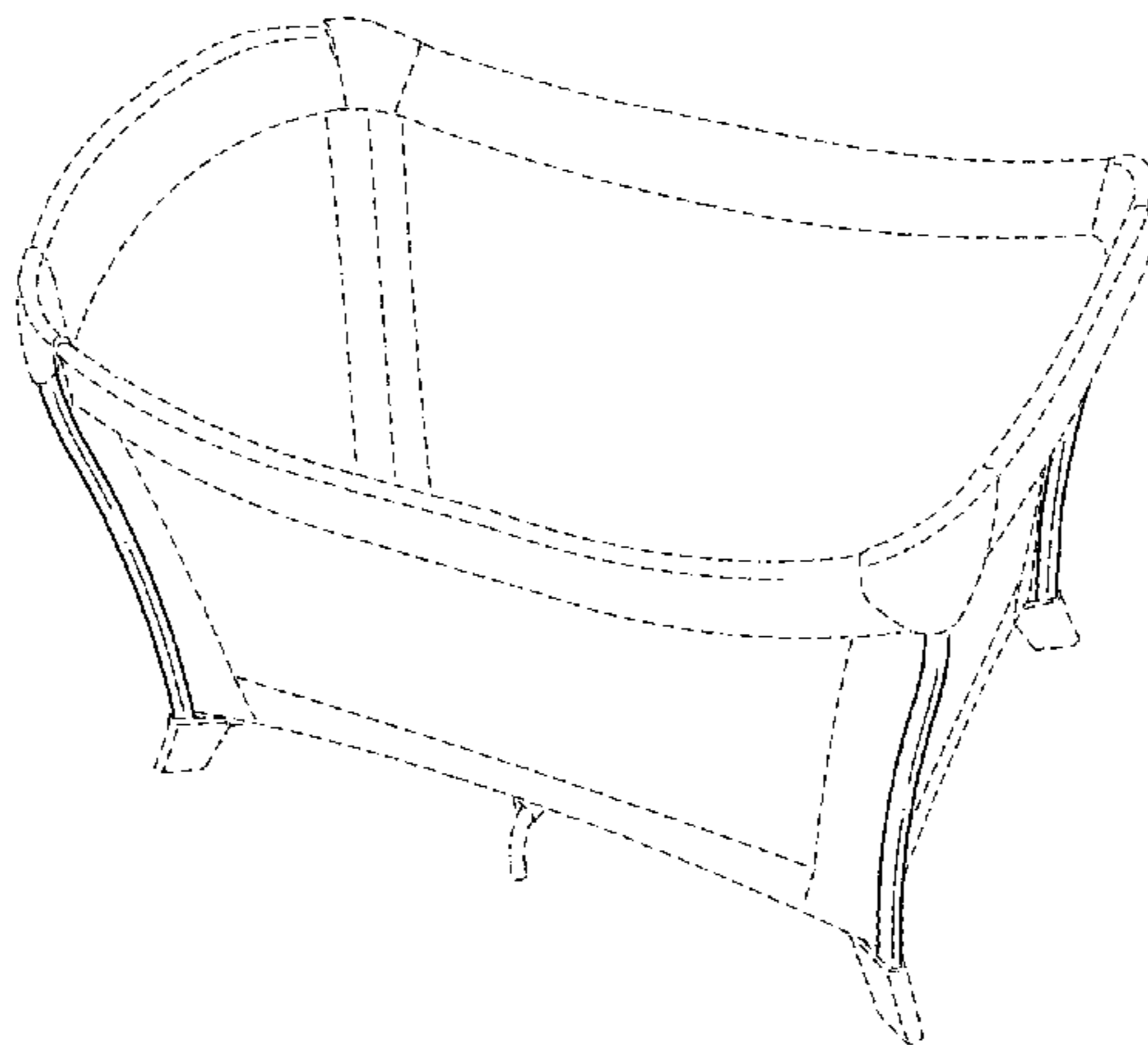
(57) **CLAIM**

The ornamental design for a “playard,” as shown and described.

**DESCRIPTION**

FIG. 1 is a top, front, and right side perspective view showing our new design for a playard.  
FIG. 2 is a left side view of the playard shown in FIG. 1, the right side view being a mirror image thereof.  
FIG. 3 is a rear view of the playard shown in FIG. 1, the front view being a mirror image thereof; and,  
FIG. 4 is a bottom view of the playard shown in FIG. 1.  
The subject matter shown in dashed lines is for illustrative purposes and forms no part of the claimed design.

**1 Claim, 3 Drawing Sheets**



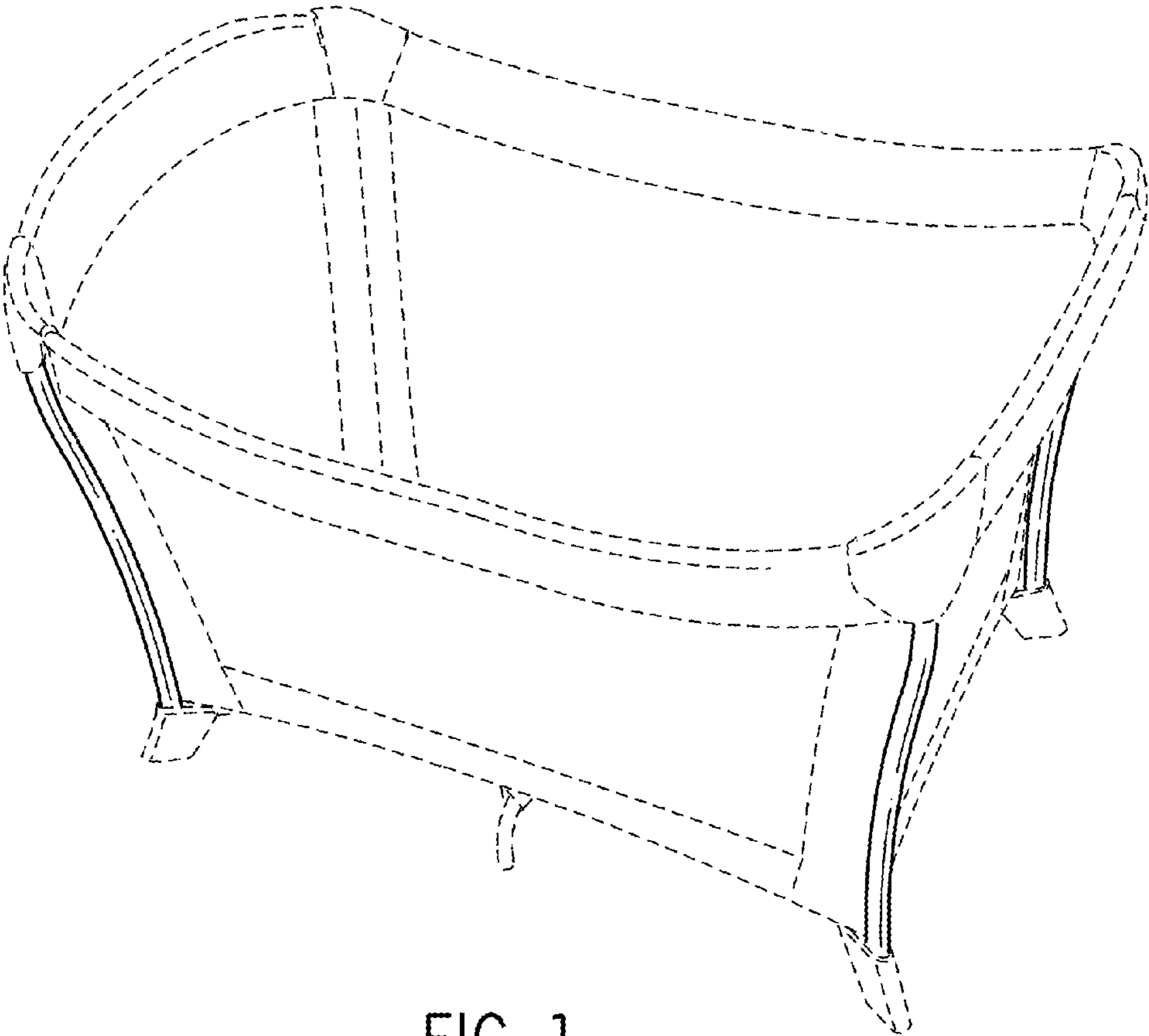


FIG. 1

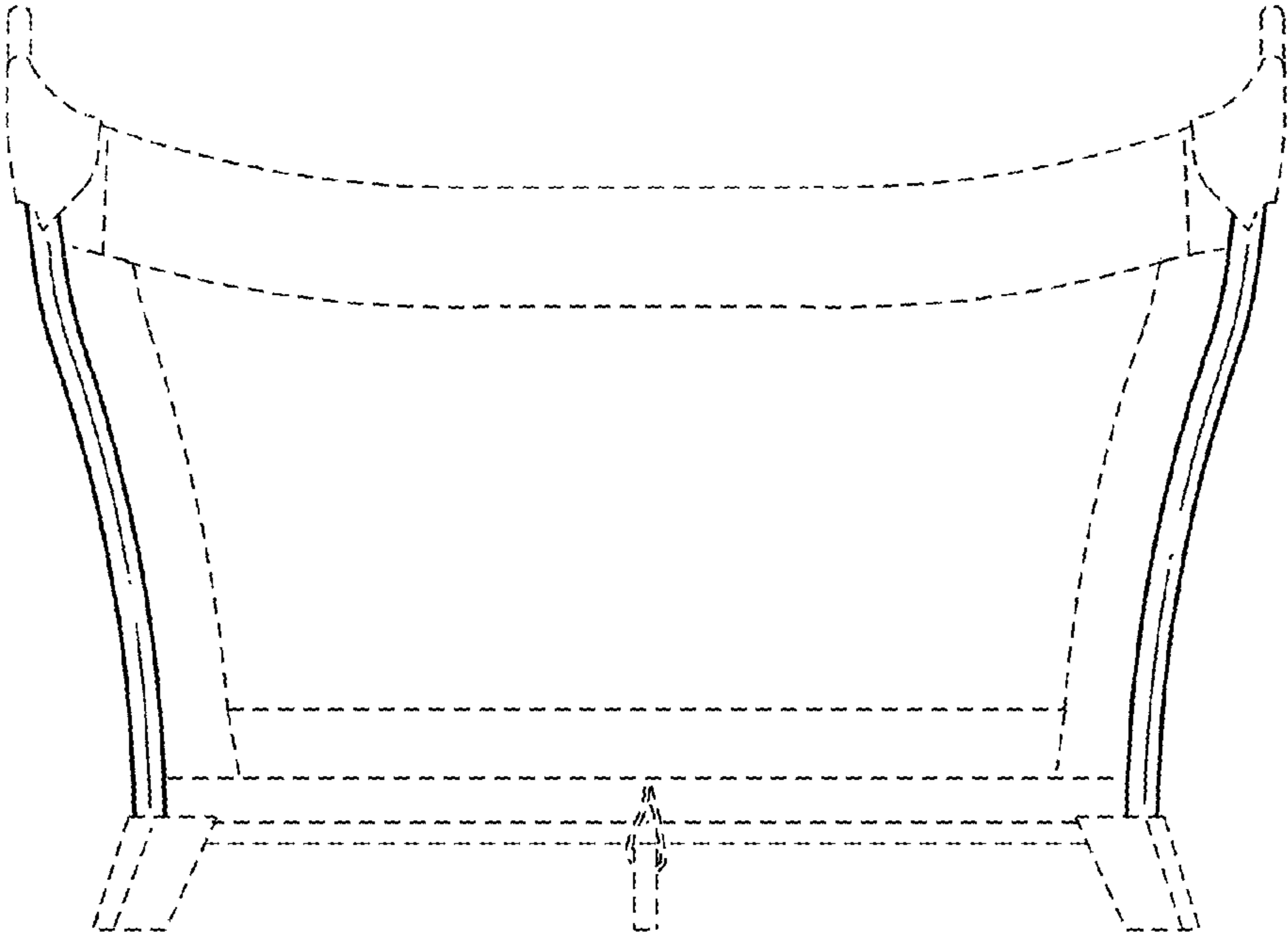


FIG. 2

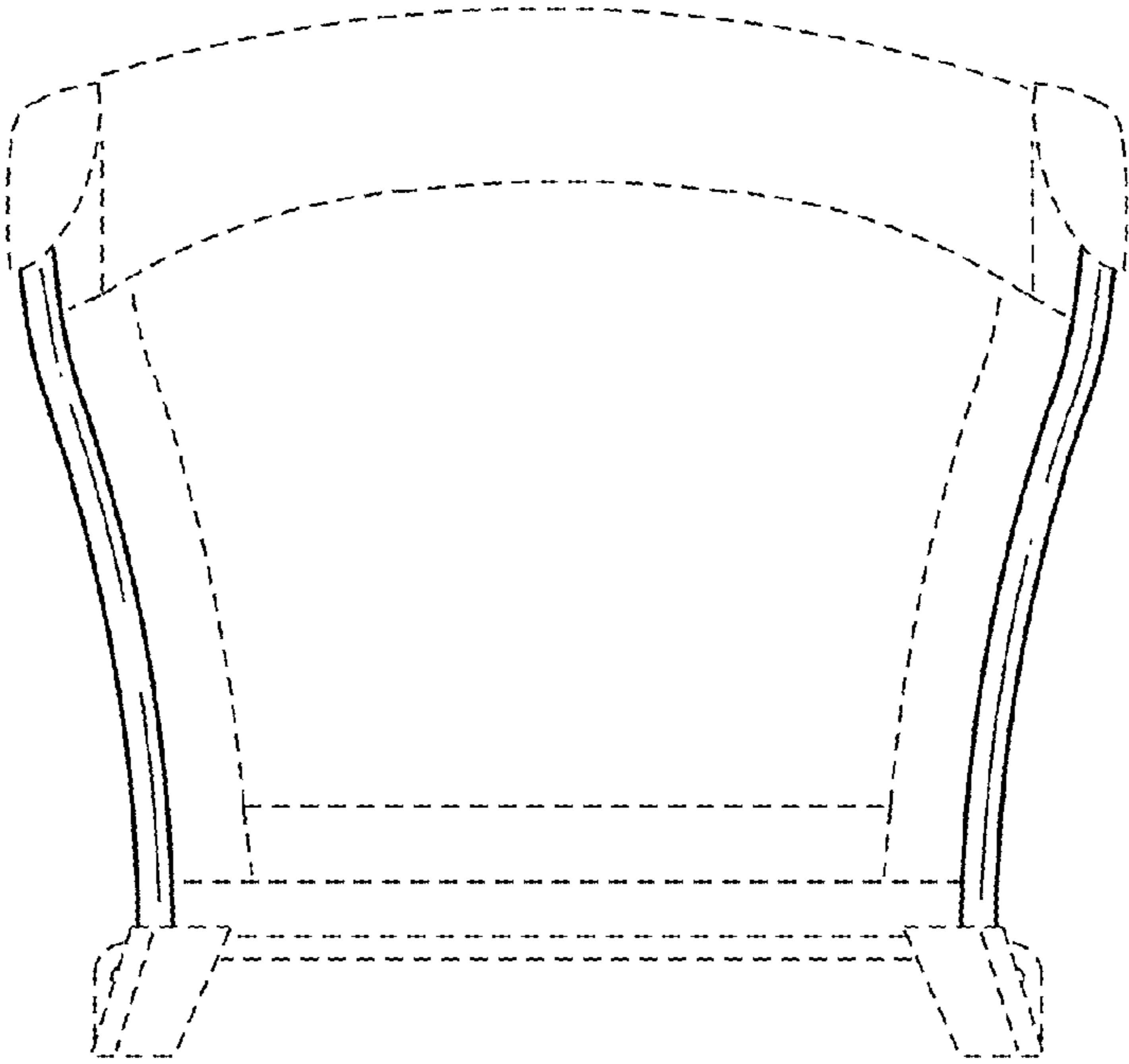


FIG. 3

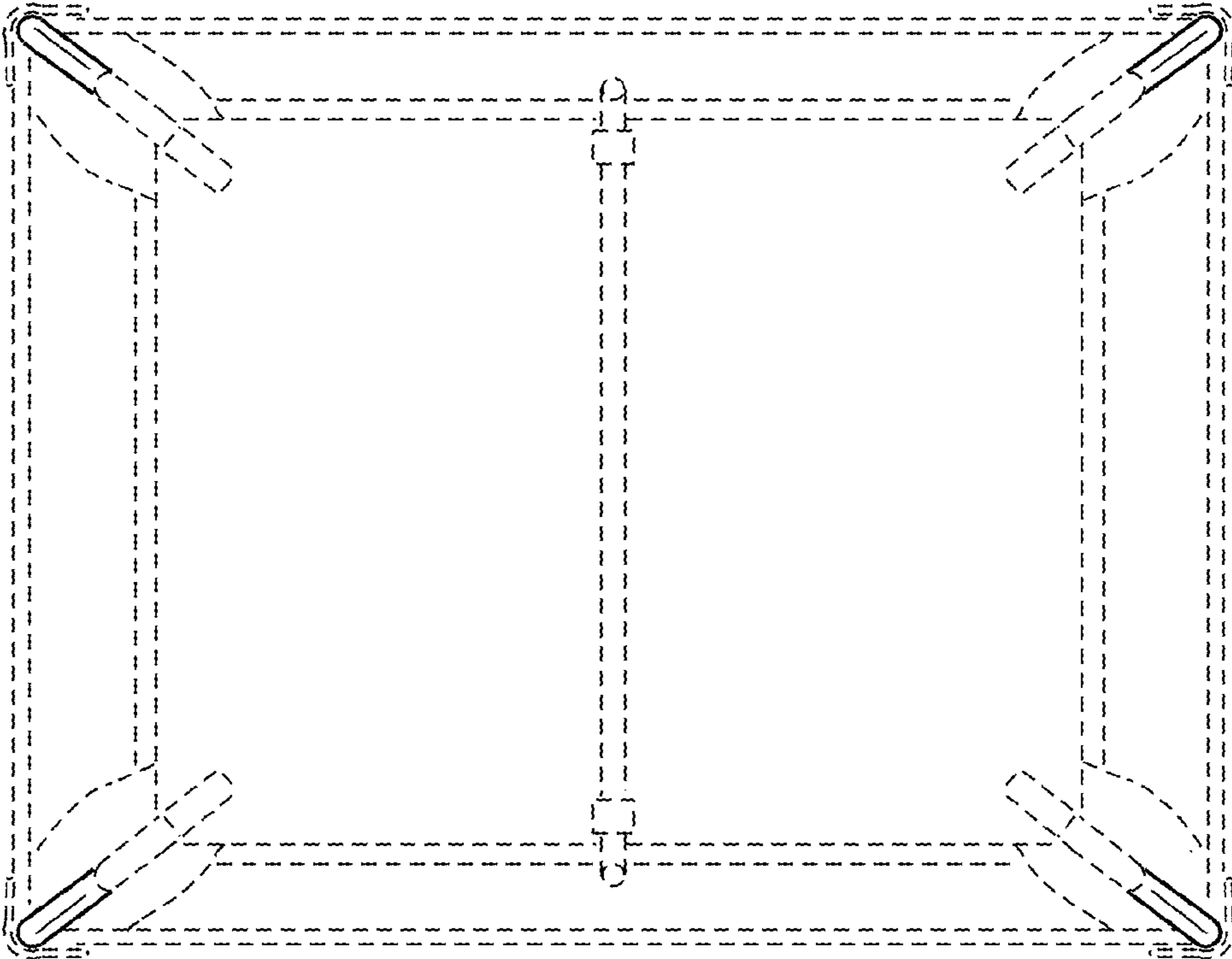


FIG. 4