



US00D728982S

(12) **United States Design Patent**
Thuma et al.

(10) **Patent No.:** **US D728,982 S**
(45) **Date of Patent:** **** May 12, 2015**

(54) **SWIVEL CHAIR WITH UNDERSEAT STORAGE**

(71) Applicant: **Suncast Technologies, LLC**, Palm Beach Gardens, FL (US)

(72) Inventors: **Michael Thuma**, La Grange, IL (US); **Torrence Anderson**, Overland Park, KS (US); **Michael R. Vogler**, Oswego, IL (US)

(73) Assignee: **Suncast Technologies, LLC**, Palm Beach Gardens, FL (US)

(**) Term: **14 Years**

(21) Appl. No.: **29/510,321**

(22) Filed: **Nov. 26, 2014**

(51) **LOC (10) CL.** **06-01**

(52) **U.S. CL.**
USPC **D6/716; D6/336**

(58) **Field of Classification Search**
USPC D6/334, 335, 336, 379, 381, 369, 349, D6/364, 380, 716, 716.1, 716.3; 297/94, 297/118, 232, 445.1, 448.1, DIG. 7
See application file for complete search history.

(56) **References Cited**

U.S. PATENT DOCUMENTS

986,686	A	*	3/1911	Carney	297/123
D204,451	S	*	4/1966	Straits	D6/379
D291,846	S	*	9/1987	Conn	D6/344
D295,583	S	*	5/1988	Conn	D6/364
D299,986	S	*	2/1989	Doughty	D6/344
D300,090	S	*	3/1989	Frinier	D6/344
D354,173	S	*	1/1995	Escobal et al.	D6/335
5,599,064	A	*	2/1997	Vanderminden, Sr.	..	297/344.21
5,902,009	A	*	5/1999	Singh et al.	297/188.1
D414,947	S	*	10/1999	Liu	D6/344
D422,422	S	*	4/2000	Black	D6/369
D427,788	S	*	7/2000	Paul	D6/336

D432,322	S	*	10/2000	Mandell	D6/336
D446,956	S	*	8/2001	Black	D6/369
D448,940	S	*	10/2001	Chi	D6/365
D457,342	S	*	5/2002	Muller	D6/370
6,827,401	B2	*	12/2004	Marshall et al.	297/302.1
D509,075	S	*	9/2005	Katz et al.	D6/336
D528,316	S	*	9/2006	Tseng	D6/365
D530,934	S	*	10/2006	Tseng	D6/365
D539,556	S	*	4/2007	Doughty	D6/369
D547,079	S	*	7/2007	Wang	D6/369
D557,030	S	*	12/2007	Wang	D6/369
D557,919	S	*	12/2007	Rech	D6/369
D579,217	S	*	10/2008	Cramer et al.	D6/334
D586,131	S	*	2/2009	Cramer et al.	D6/334
D588,370	S	*	3/2009	Vallet et al.	D6/365
D597,336	S	*	8/2009	Anderson et al.	D6/381
D626,250	S	*	10/2010	Wenderow et al.	D24/234
D644,846	S	*	9/2011	Ciani et al.	D6/334
D654,285	S	*	2/2012	Ballendat	D6/379
D657,966	S	*	4/2012	Foersom et al.	D6/334

(Continued)

Primary Examiner — Sandra Snapp

(74) Attorney, Agent, or Firm — McHale & Slavin P.A.

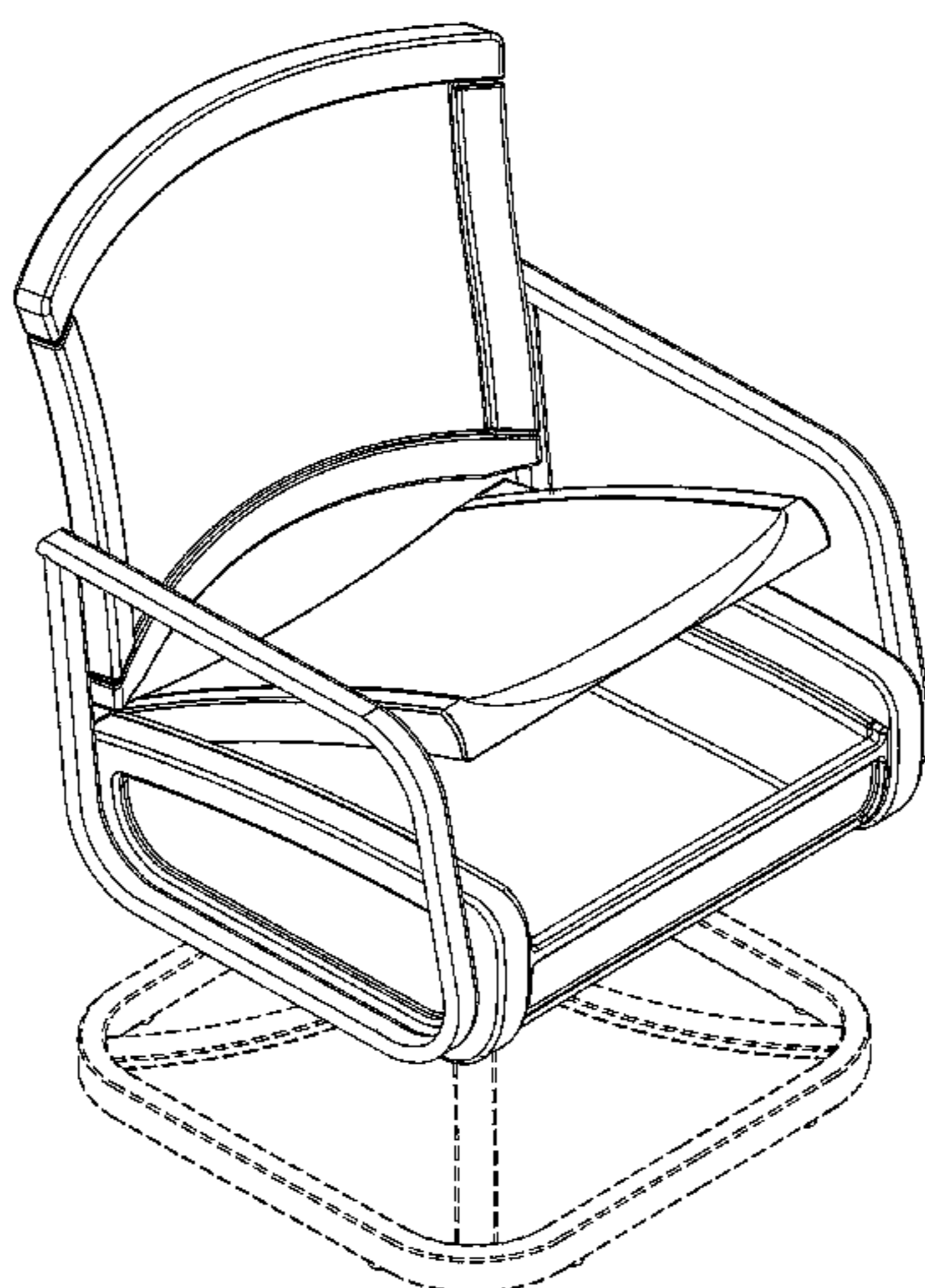
(57) **CLAIM**

The ornamental design for a swivel chair with underseat storage, as shown and described.

DESCRIPTION

FIG. 1 is a top left perspective view of the swivel chair with underseat storage of the present invention;
FIG. 2 is a left side view thereof;
FIG. 3 is a right side view thereof;
FIG. 4 is a rear view thereof;
FIG. 5 is a front view thereof;
FIG. 6 is a top view thereof;
FIG. 7 is a top right perspective view thereof; and,
FIG. 8 is a top right perspective view thereof, illustrated with the seat in an open position;
The portions of the swivel chair with underseat storage illustrated in broken lines form no part of the claimed subject matter.

1 Claim, 8 Drawing Sheets



(56)

References Cited

U.S. PATENT DOCUMENTS

D658,395 S * 5/2012 Foersom et al. D6/334
D664,778 S * 8/2012 Pheasant et al. D6/334
D664,784 S * 8/2012 Adir D6/369
D687,233 S * 8/2013 Pedersen et al. D6/369

D690,145 S * 9/2013 Pedersen et al. D6/716
D693,591 S * 11/2013 Pedersen et al. D6/379
D694,546 S * 12/2013 George D6/381
D698,562 S * 2/2014 Hartman et al. D6/369
D702,051 S * 4/2014 Rasenberg et al. D6/334
D706,052 S * 6/2014 Arnon et al. D6/369

* cited by examiner

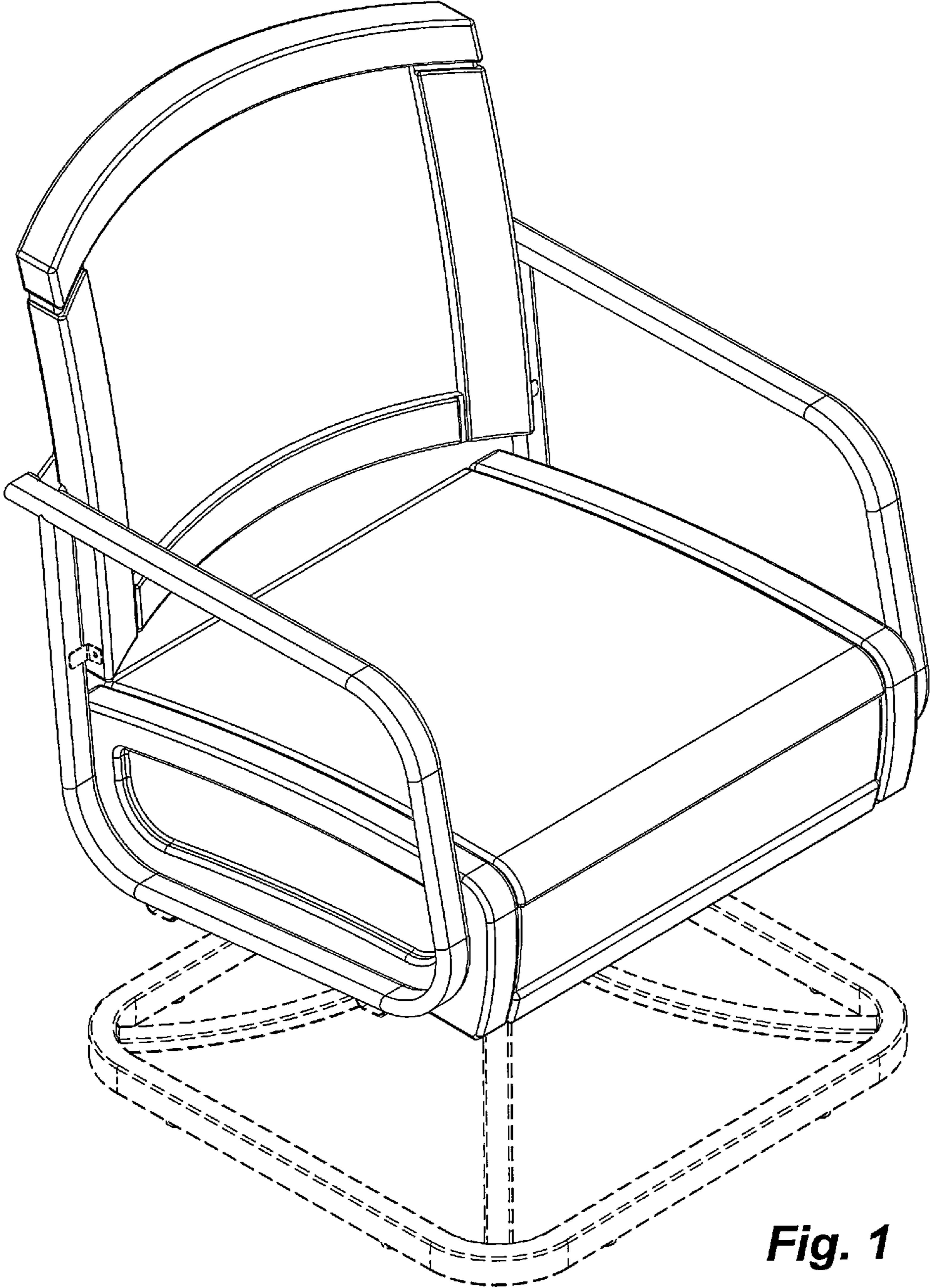


Fig. 1

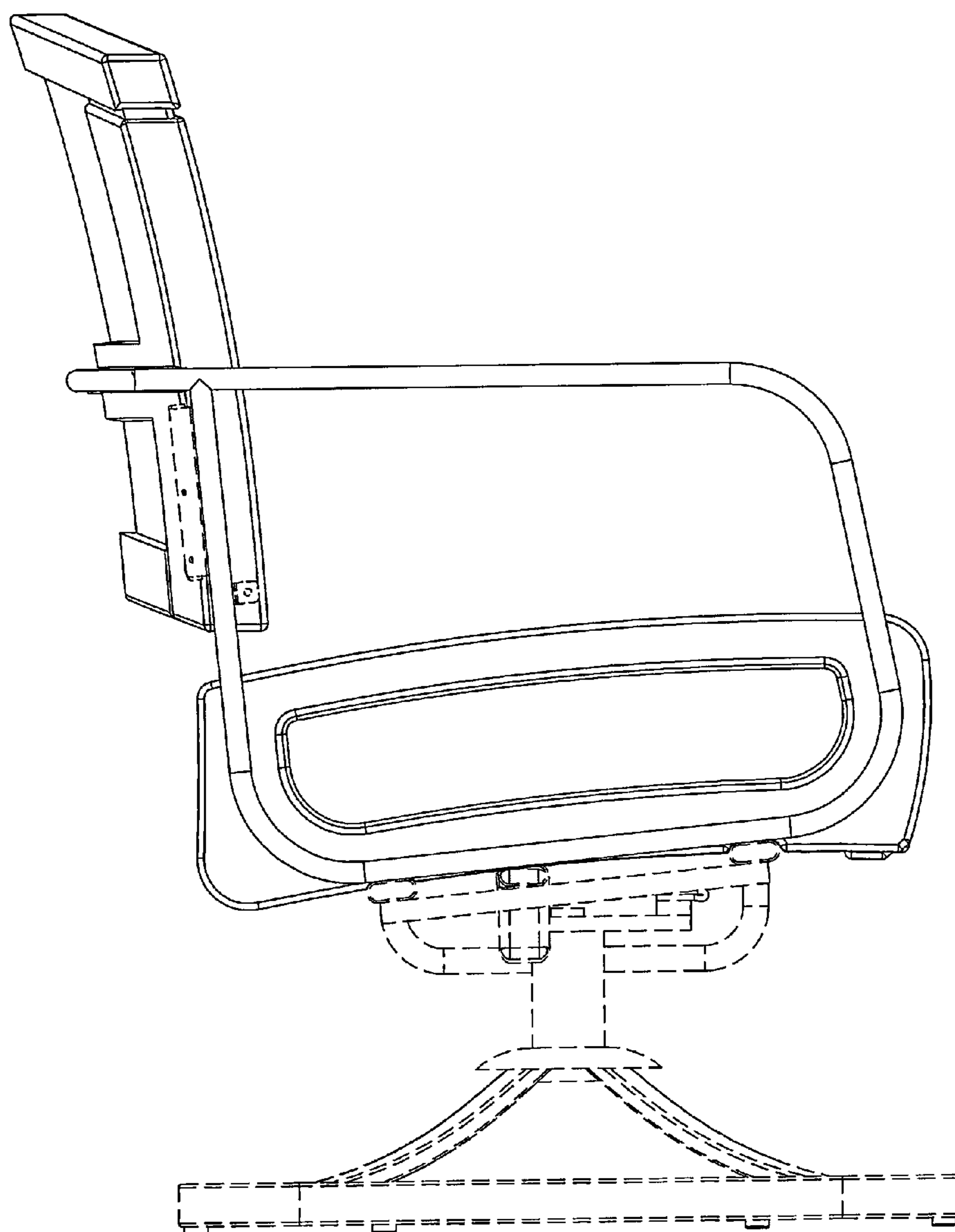


Fig. 2

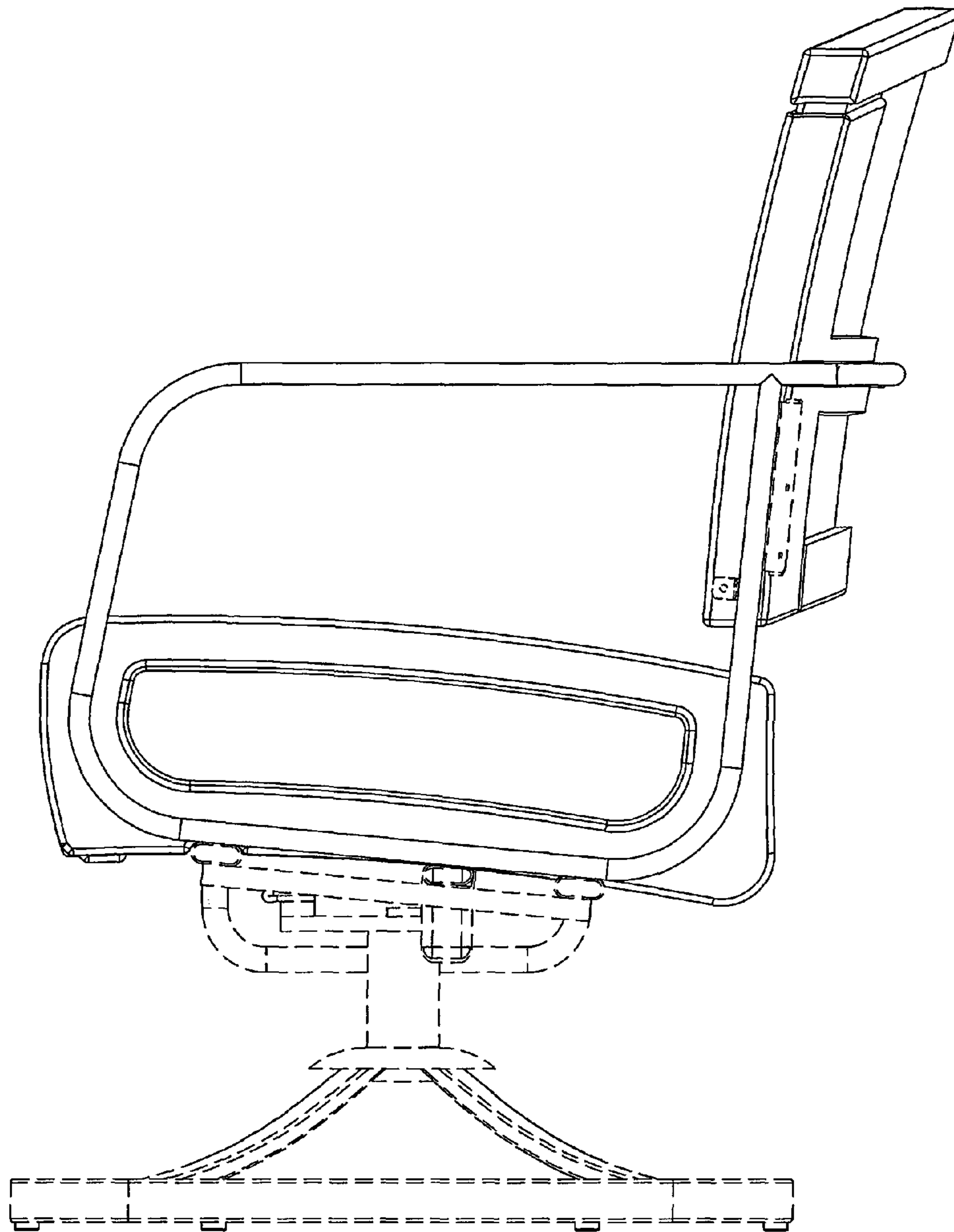


Fig. 3

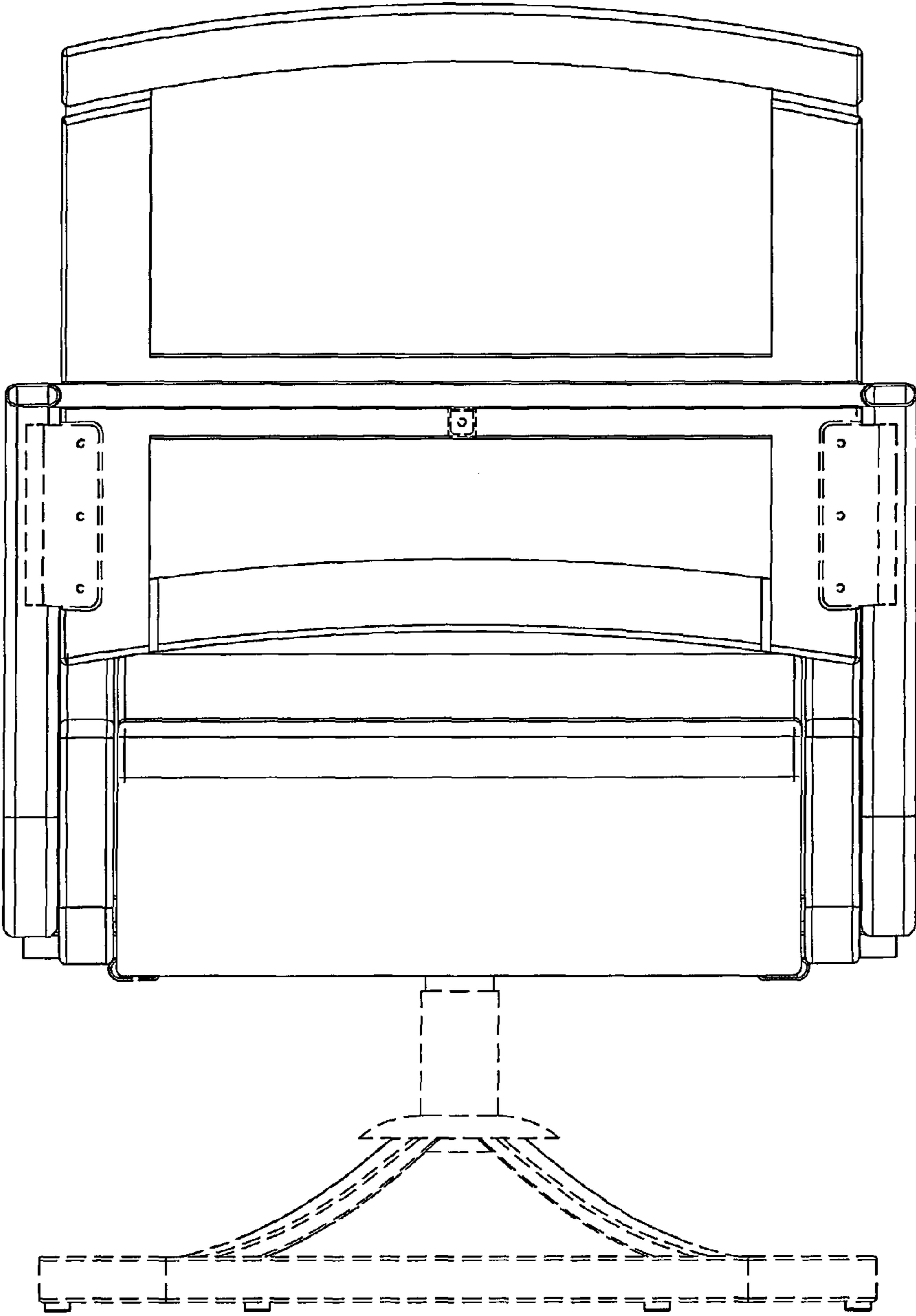


Fig. 4

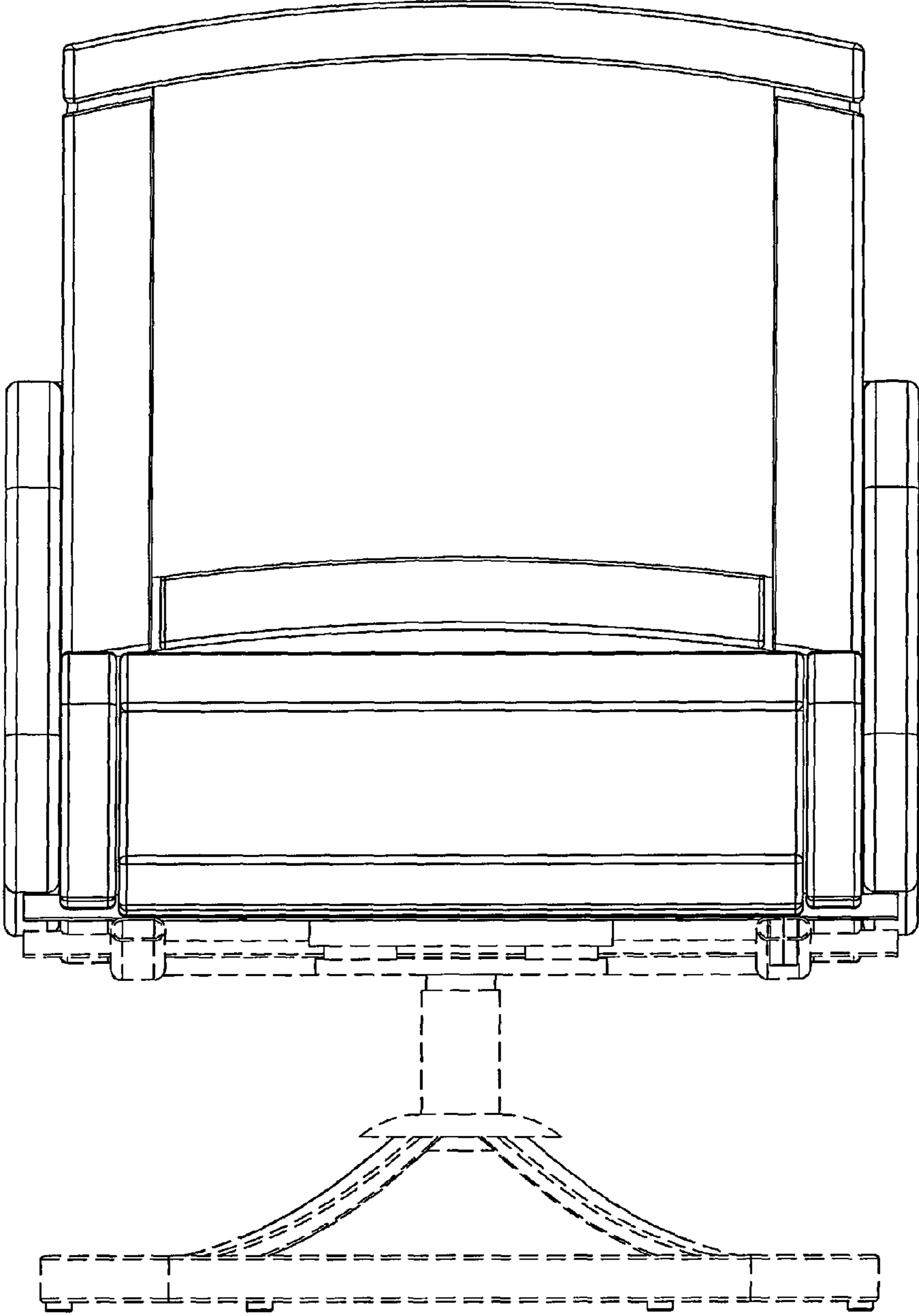


Fig. 5

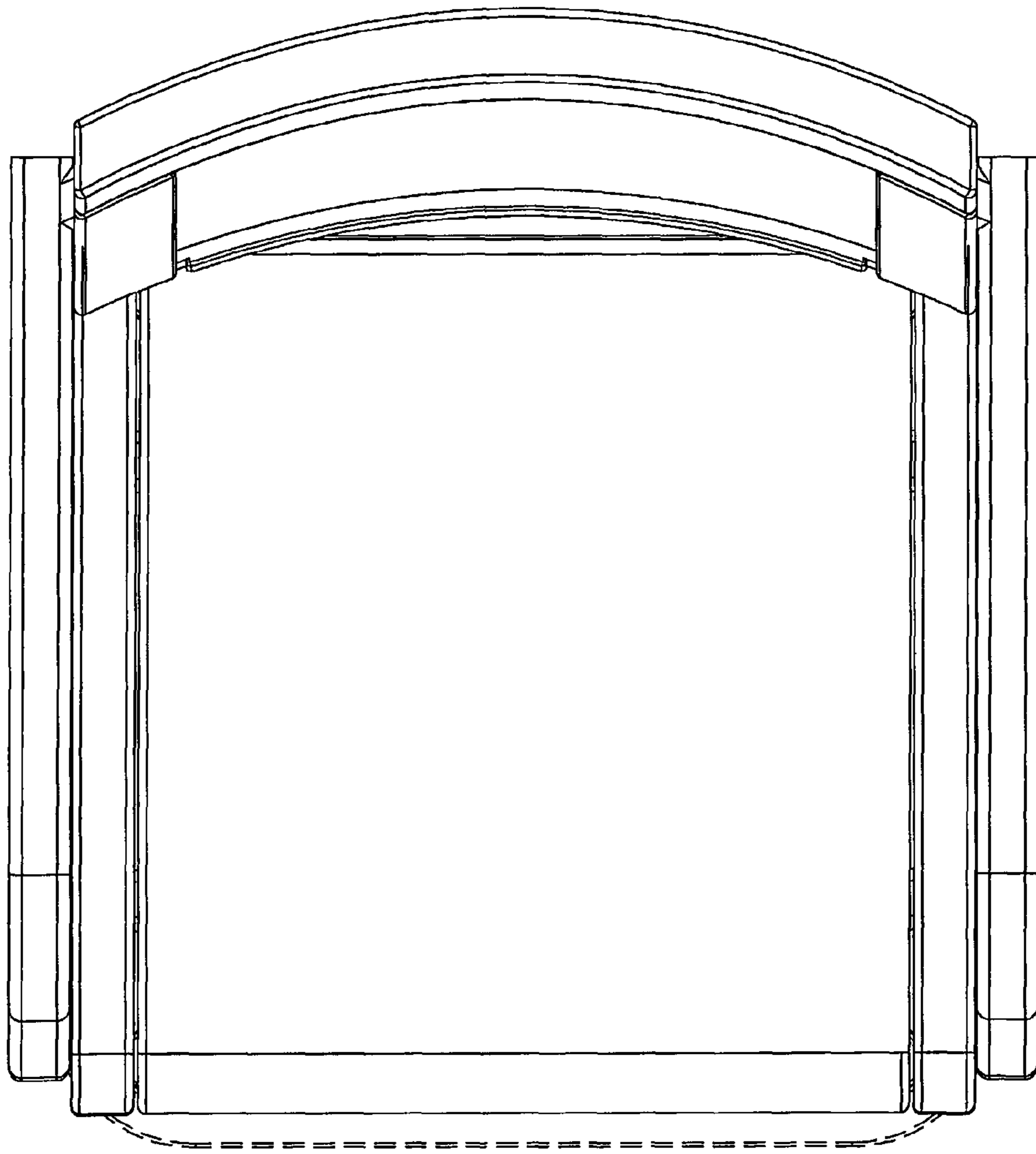


Fig. 6

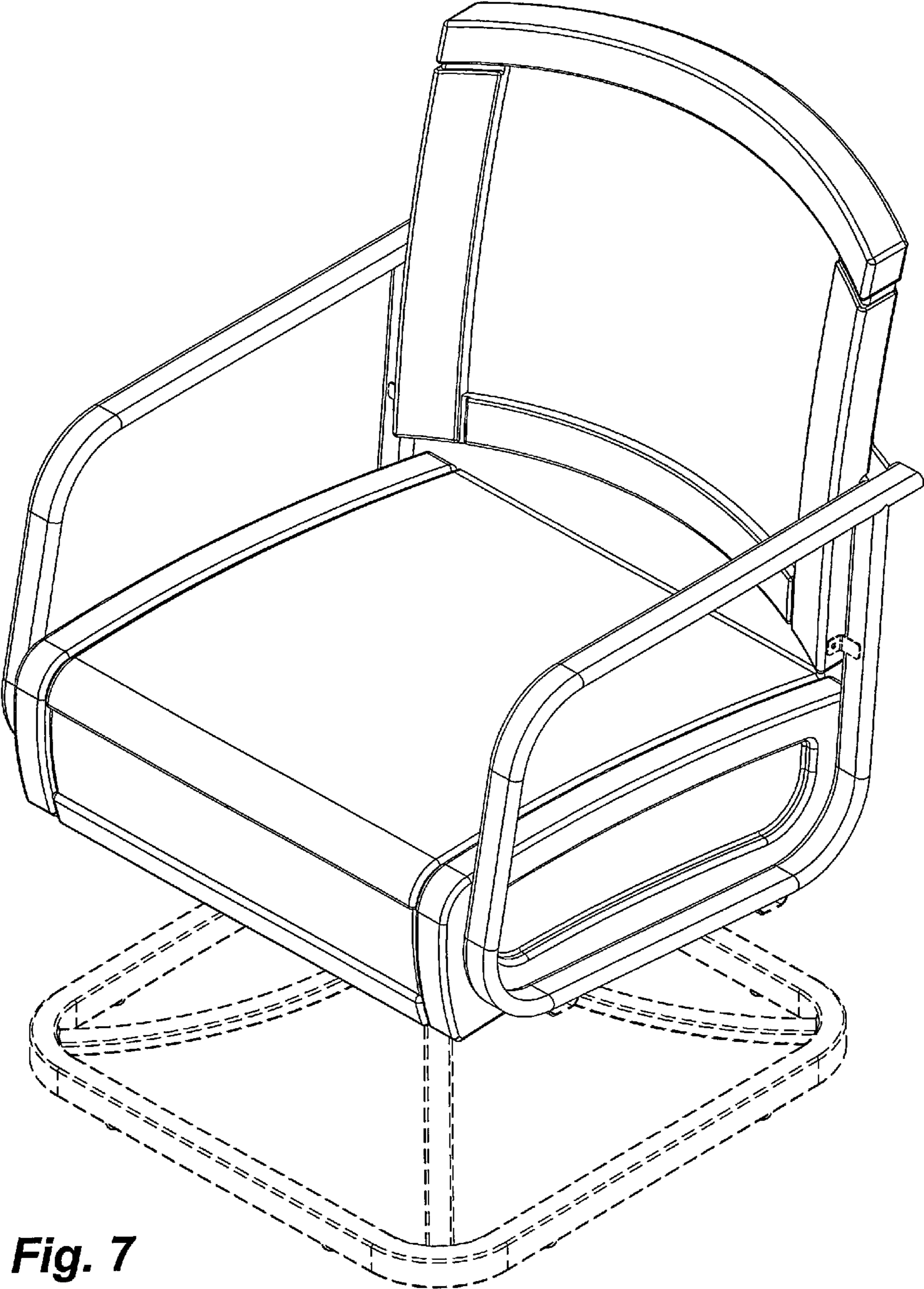


Fig. 7

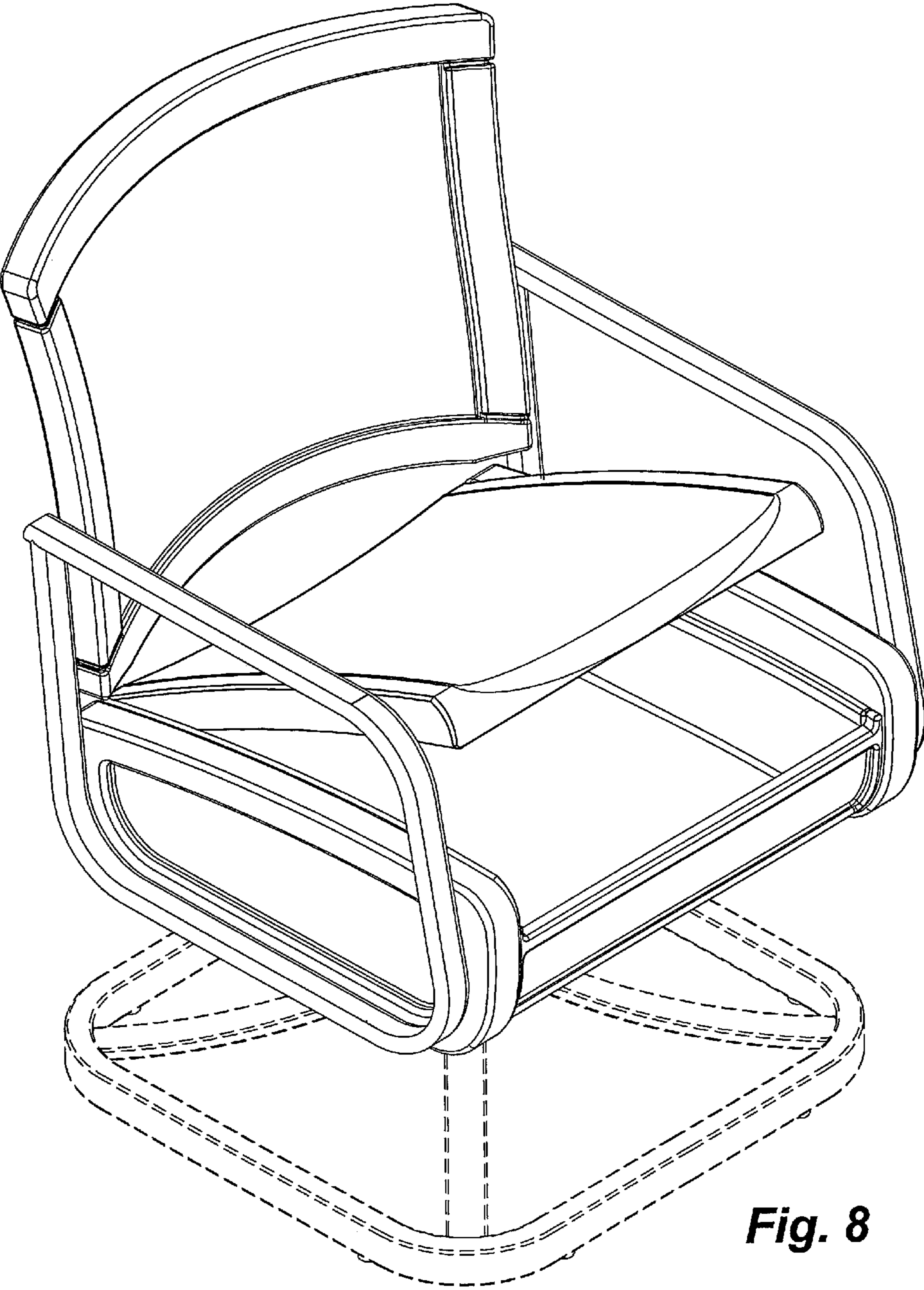


Fig. 8