



US00D728981S

(12) **United States Design Patent**
Legare

(10) **Patent No.:** **US D728,981 S**
(45) **Date of Patent:** **** May 12, 2015**

(54) **TABLE TOP**

(71) Applicant: **Tables Modulaires Positionnelles 2008 Inc.**, Saint-Germain-de-Grantham (CA)

(72) Inventor: **Marc-Antoine Legare**, Drummondville (CA)

(73) Assignee: **Tables Modulaires Positionnelles 2008 Inc.**, St-Germain-de-Grantham (CA)

(**) Term: **14 Years**

(21) Appl. No.: **29/460,530**

(22) Filed: **Jul. 11, 2013**

(51) **LOC (10) Cl.** **06-06**

(52) **U.S. Cl.**
USPC **D6/707.22; D6/707.15**

(58) **Field of Classification Search**
USPC D6/696, 696.1, 696.2, 696.3, 696.5,
D6/696.7, 707.22, 678, 707.15; 108/64,
108/66, 76, 147.9
See application file for complete search history.

(56) **References Cited**

U.S. PATENT DOCUMENTS

D286,353 S * 10/1986 Robolin D6/474
5,438,937 A * 8/1995 Ball et al. 108/64

D548,493 S * 8/2007 Diekman D6/482
D569,142 S * 5/2008 Burak D6/511
2006/0180055 A1* 8/2006 Mulmed 108/64

OTHER PUBLICATIONS

Tables Modulaires Positionnelles Inc., 2013 Catalogue, pp. 1, 2, 4 and 6, 1990 models.

* cited by examiner

Primary Examiner — Janice Seeger

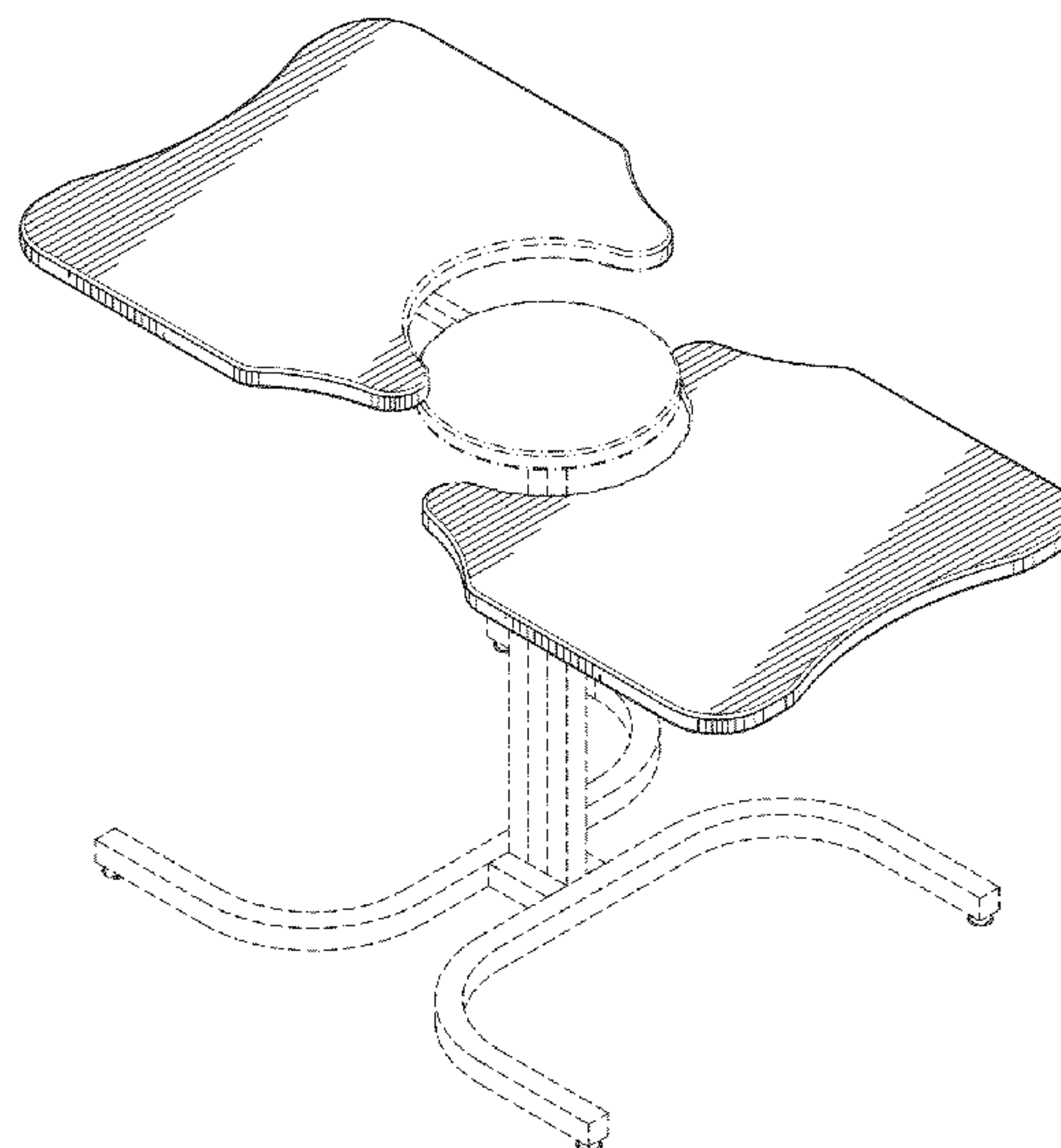
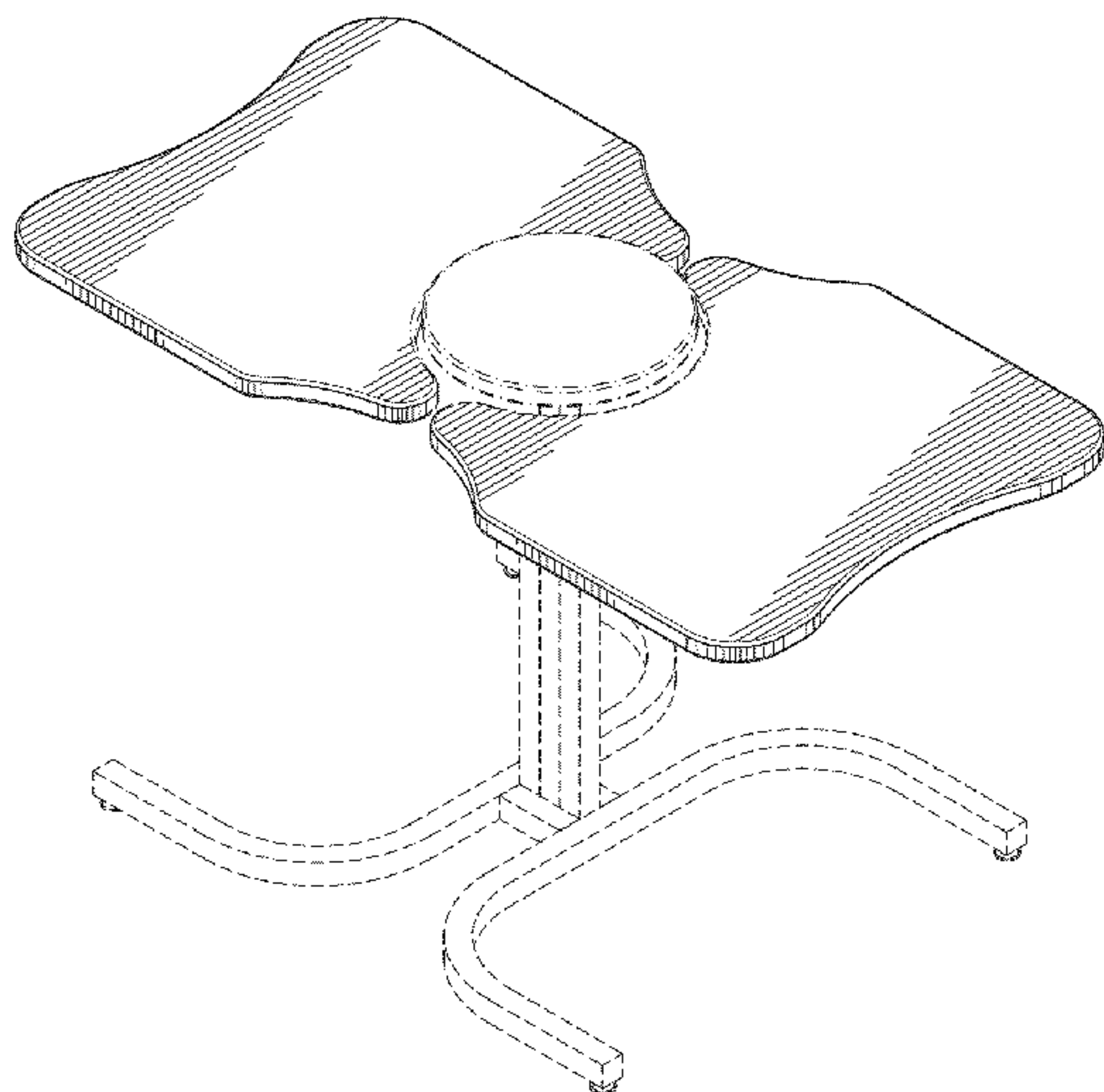
(57) **CLAIM**

The ornamental design for a table top, as shown and described.

DESCRIPTION

FIG. 1 is a perspective view of a first embodiment of the table top showing my new design;
FIG. 2 is a top view of the table top of FIG. 1;
FIG. 3 is a first side view of the table top of FIG. 1;
FIG. 4 is second side view of the table top of FIG. 1;
FIG. 5 is a bottom view of the table top of FIG. 1; and
FIG. 6 is a perspective view of a second embodiment of the table top; and,
FIG. 7 is a perspective view of a third embodiment of the table top.
The broken lines represent environment and form no part of the claimed design. The dot dash lines represent unclaimed boundary lines and form no part of the claimed design.

1 Claim, 4 Drawing Sheets



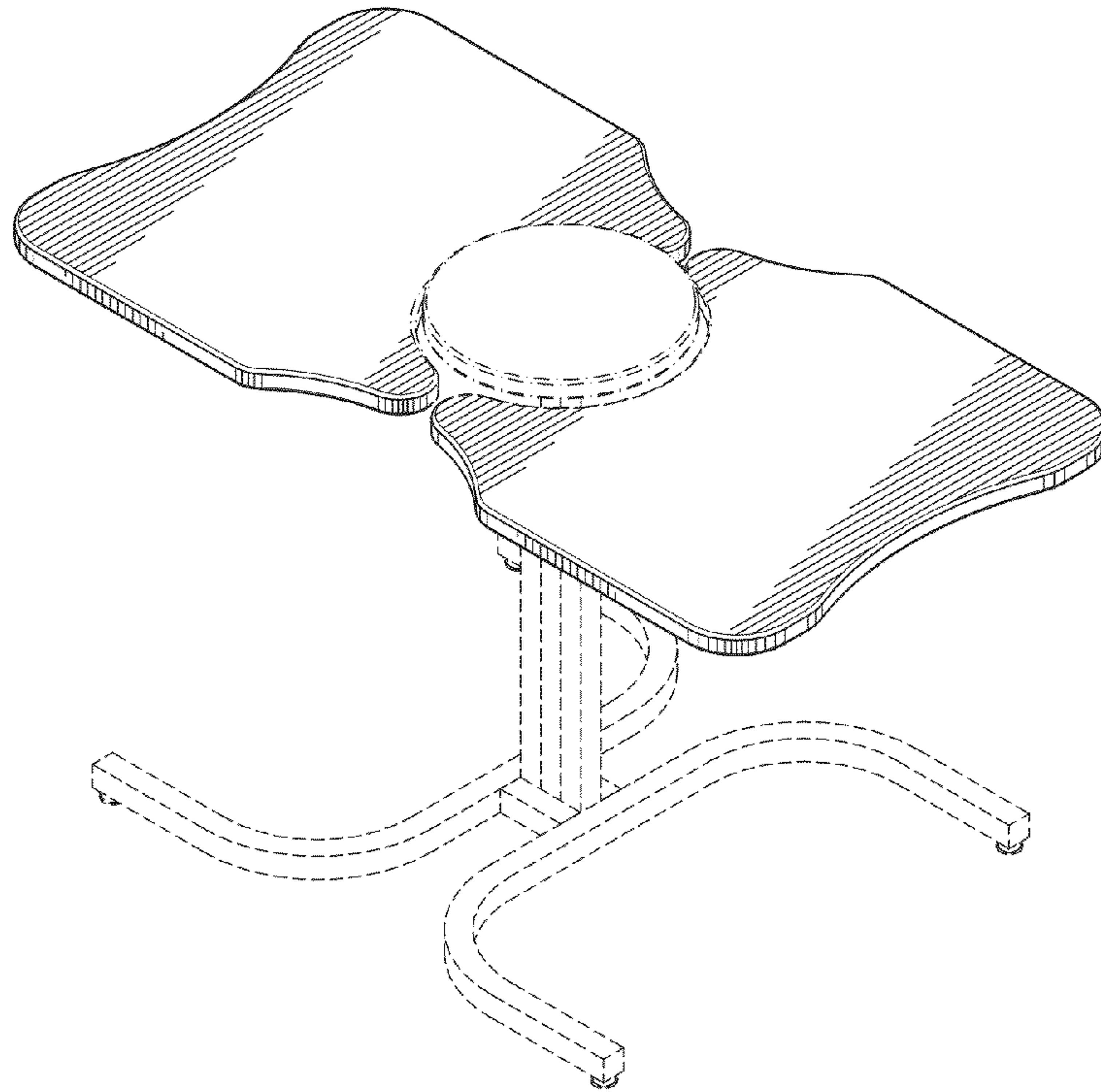


FIG. 1

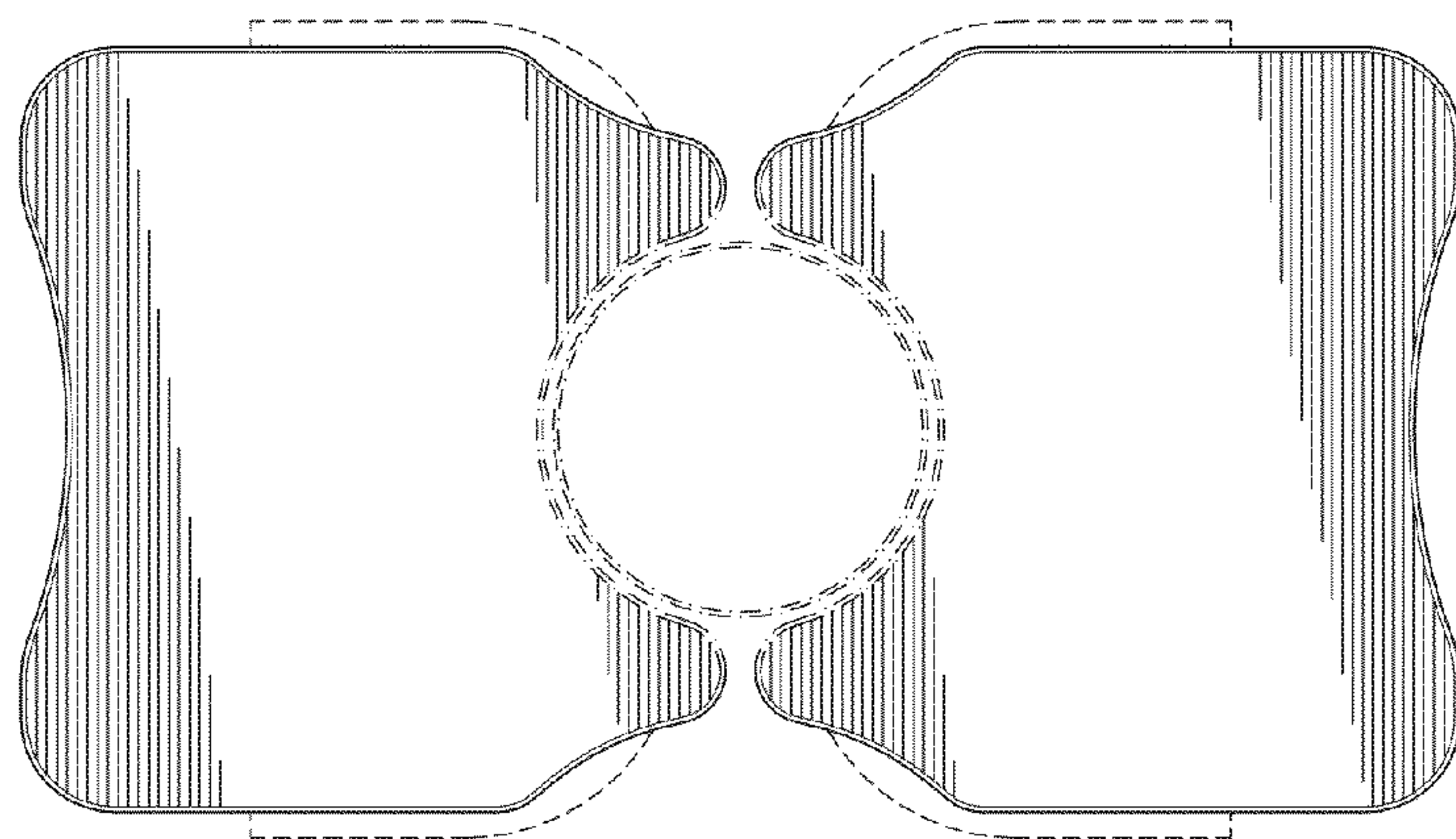


FIG. 2

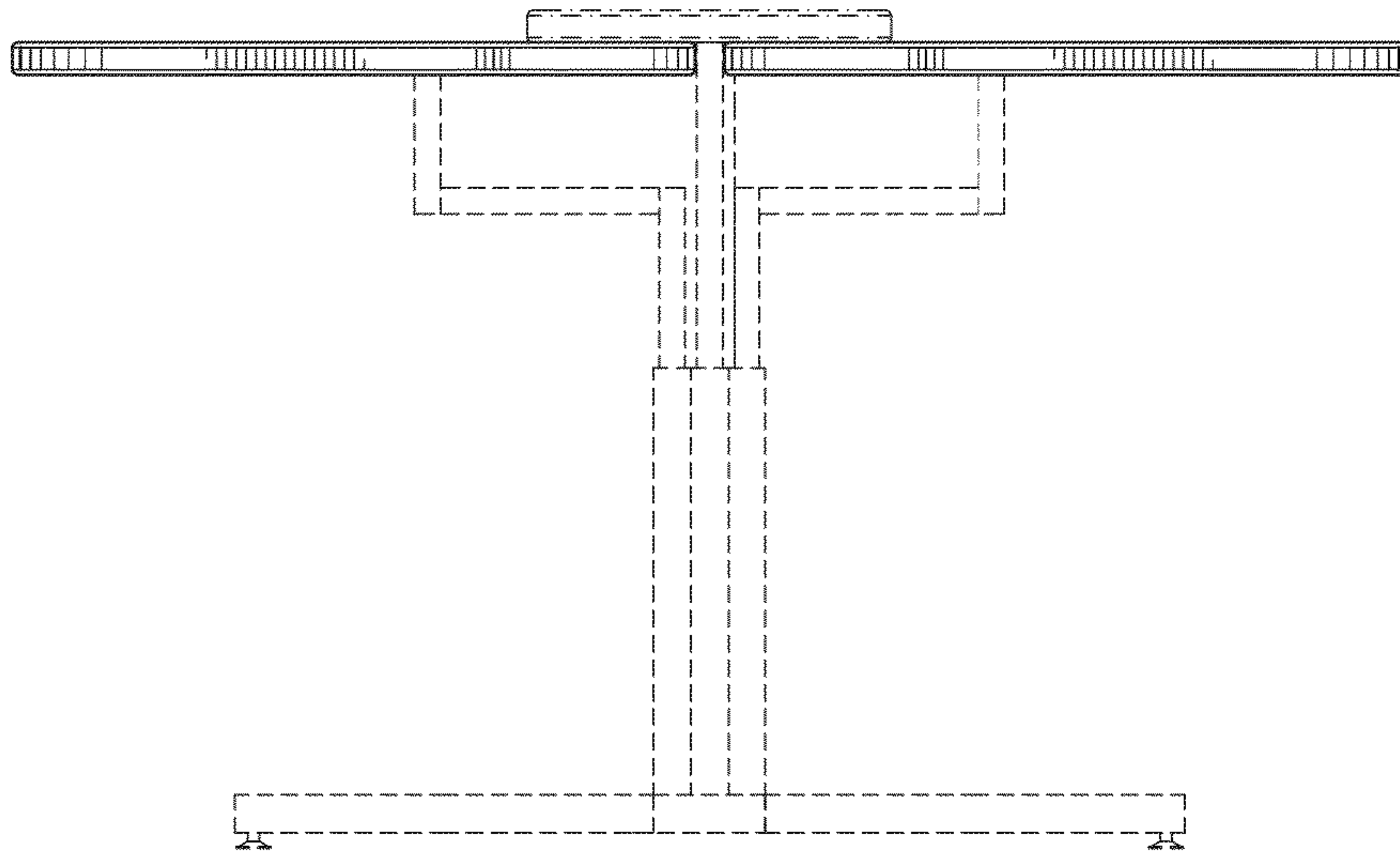


FIG. 3

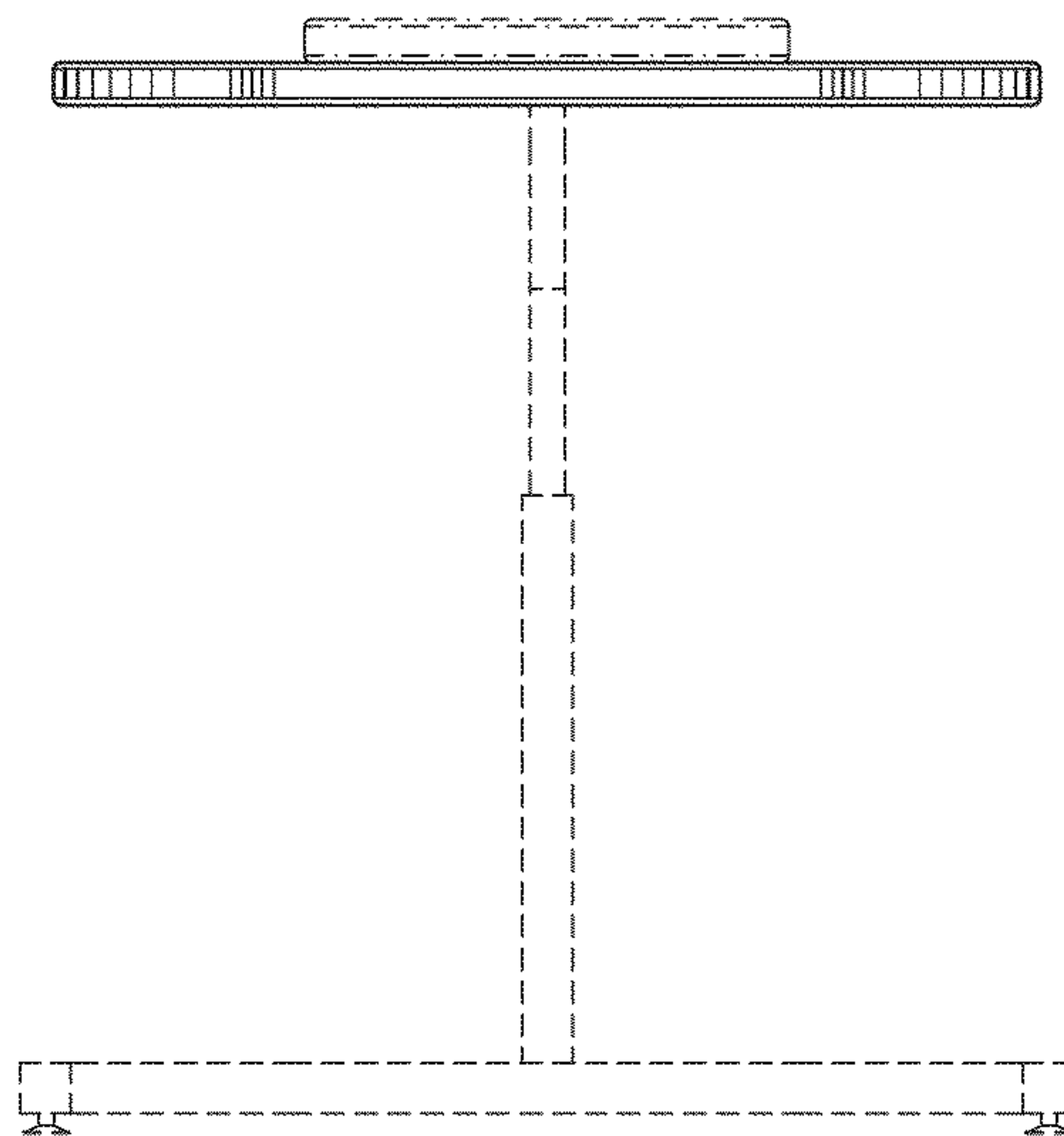


FIG. 4

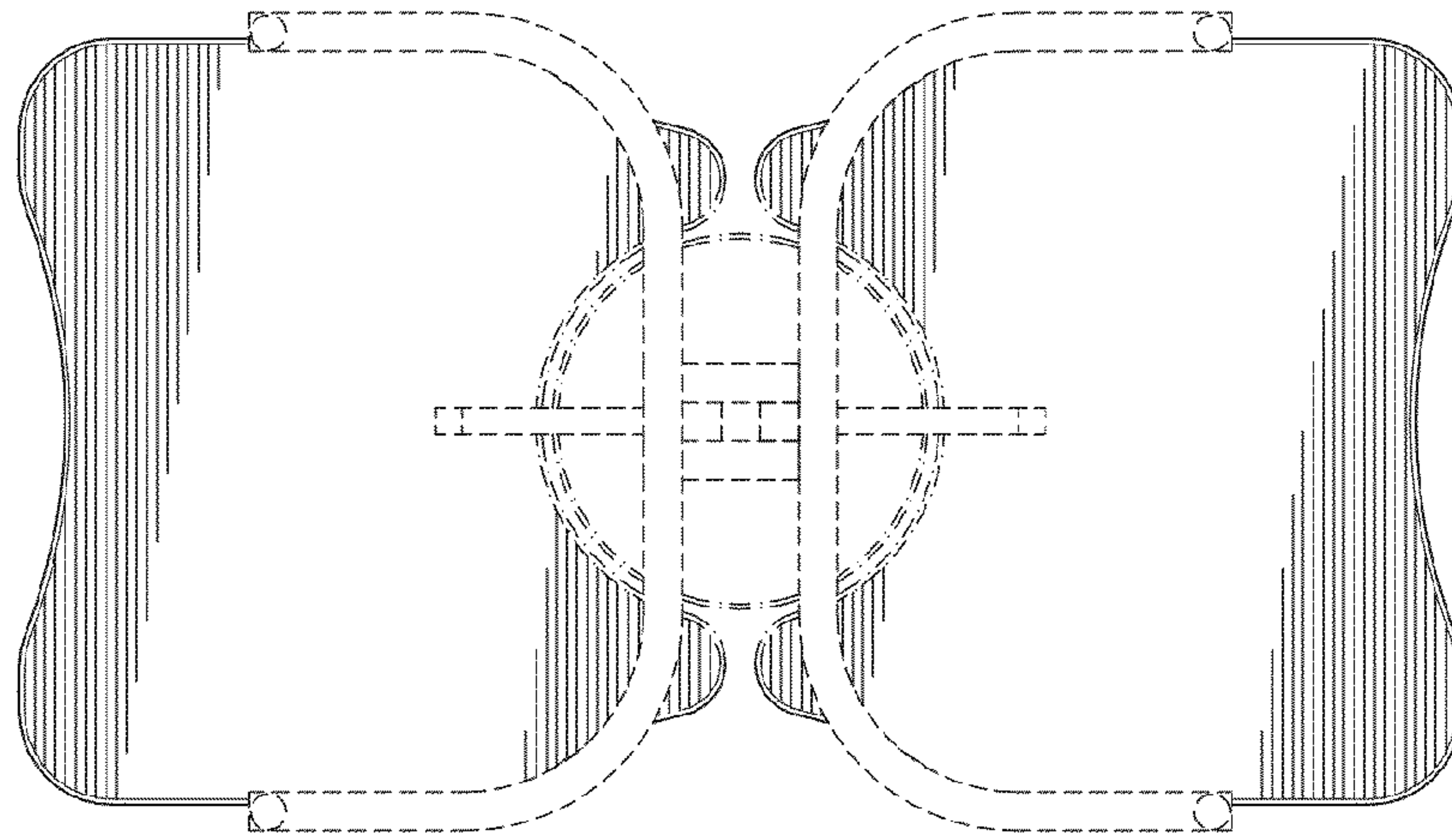


FIG. 5

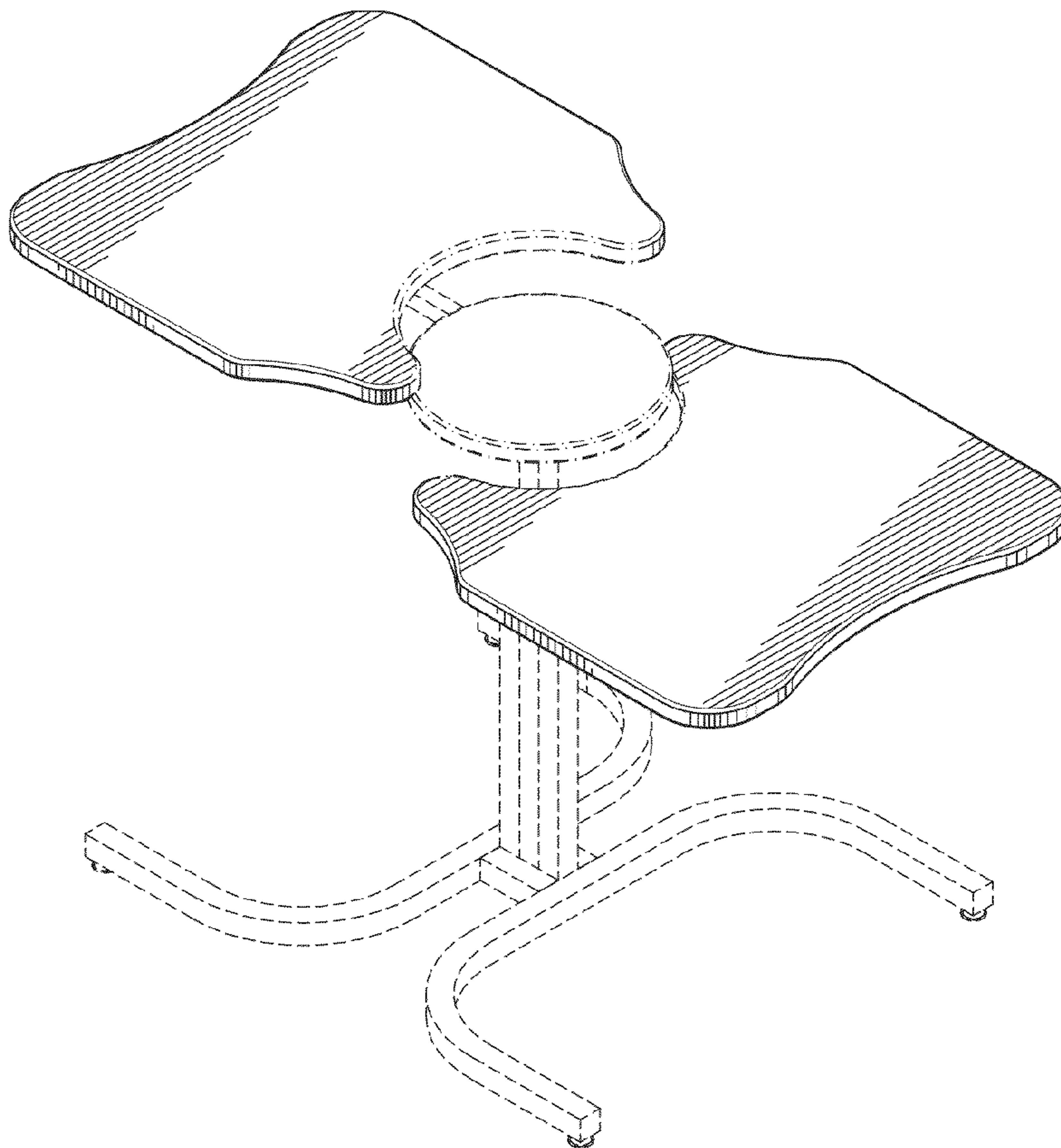


FIG. 6

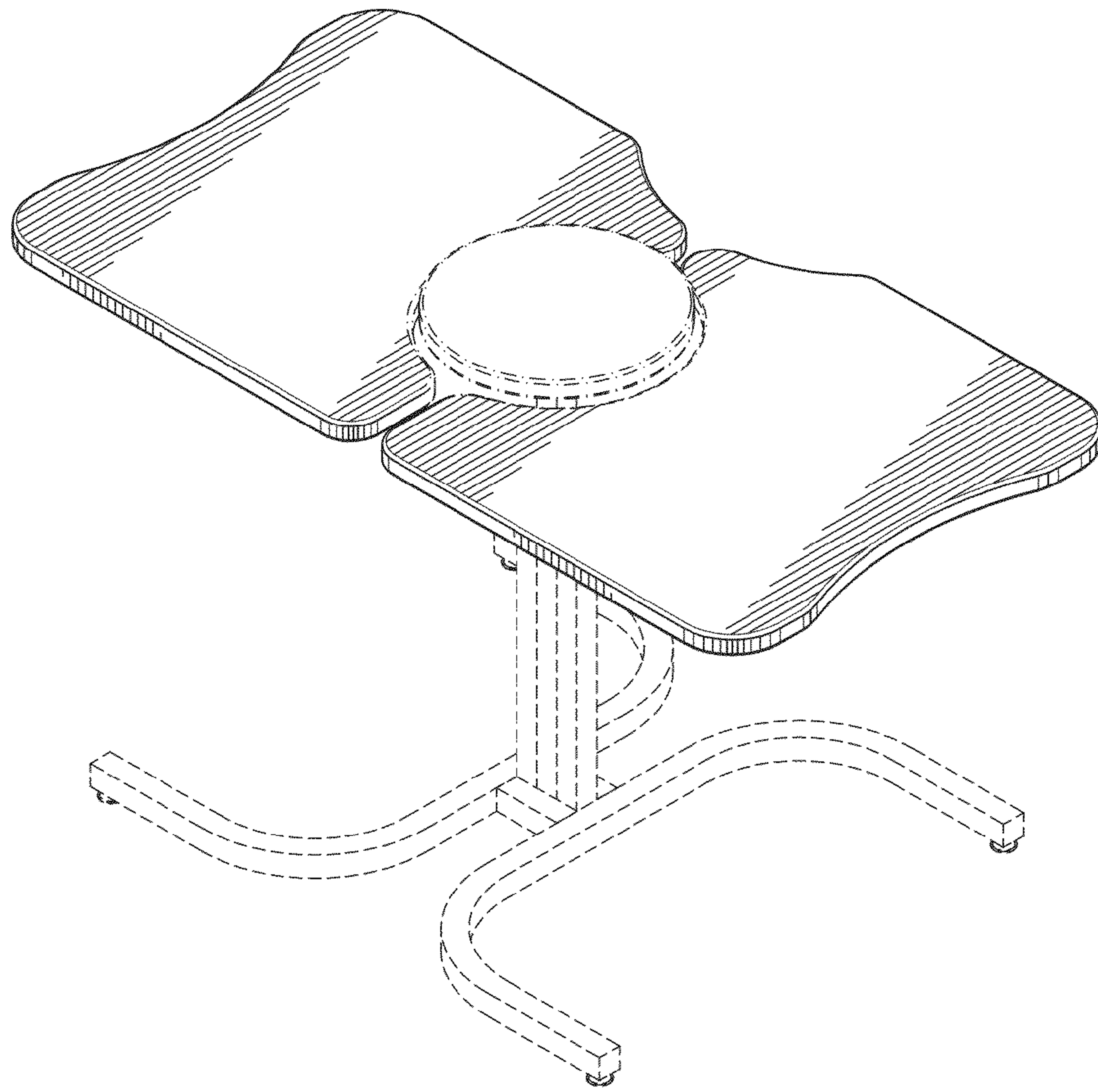


FIG. 7