



US00D728980S

(12) **United States Design Patent**
Asner

(10) **Patent No.:** **US D728,980 S**

(45) **Date of Patent:** **** May 12, 2015**

(54) **SIDE TABLE**

(56) **References Cited**

(71) Applicant: **Country Casual, Inc.**, Gaithersburg,
MD (US)

(72) Inventor: **Kimberly E. Asner**, Baltimore, MD
(US)

(73) Assignee: **Country Casual, Inc.**, Gaithersburg,
MD (US)

(**) Term: **14 Years**

(21) Appl. No.: **29/461,393**

(22) Filed: **Jul. 23, 2013**

(51) **LOC (10) Cl.** **06-03**

(52) **U.S. Cl.**
USPC **D6/691.1**

(58) **Field of Classification Search**
USPC D6/691, 691.1, 691.2, 691.4, 691.8,
D6/707.18; 108/118, 150, 153.1, 155, 156,
108/157.1, 161; 248/188, 188.1, 188.8

See application file for complete search history.

U.S. PATENT DOCUMENTS

D312,736 S *	12/1990	Grosfillex	D6/349
D363,824 S *	11/1995	Lyons	D6/349
D406,708 S *	3/1999	Hilton	D6/480
D512,586 S *	12/2005	Cross	D6/480
D516,842 S *	3/2006	Cross	D6/480

* cited by examiner

Primary Examiner — Janice Seeger

(74) *Attorney, Agent, or Firm* — Rosenberg, Klein & Lee

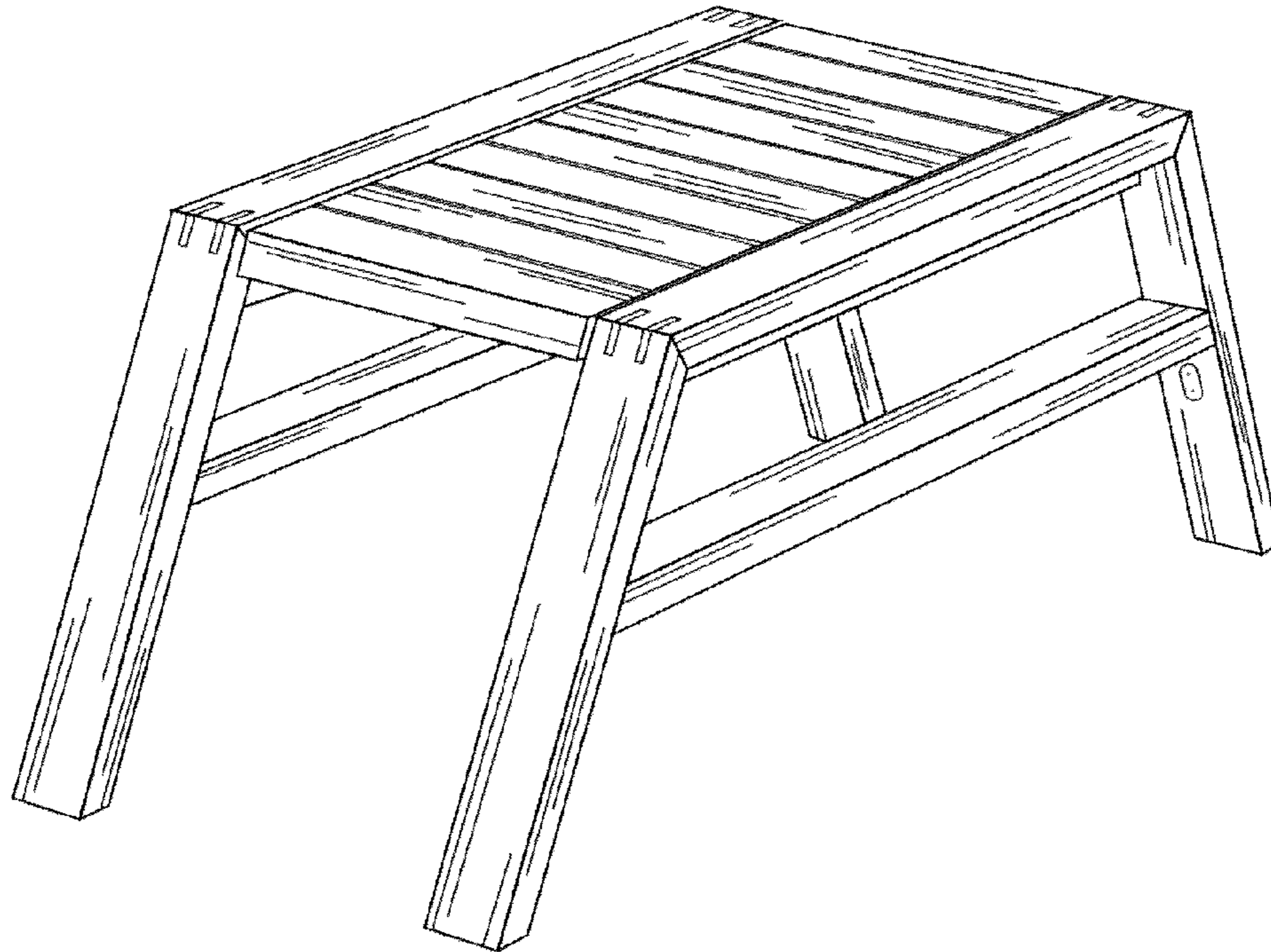
(57) **CLAIM**

The ornamental design of a side table, as shown and described.

DESCRIPTION

FIG. 1 is a frontal perspective view of the side table showing my new design;
FIG. 2 is a right elevational view thereof, the left elevational view being identical;
FIG. 3 is a front elevational view thereof, the rear elevational view being identical;
FIG. 4 is a bottom plan view thereof; and,
FIG. 5 is a top plan view thereof.

1 Claim, 5 Drawing Sheets



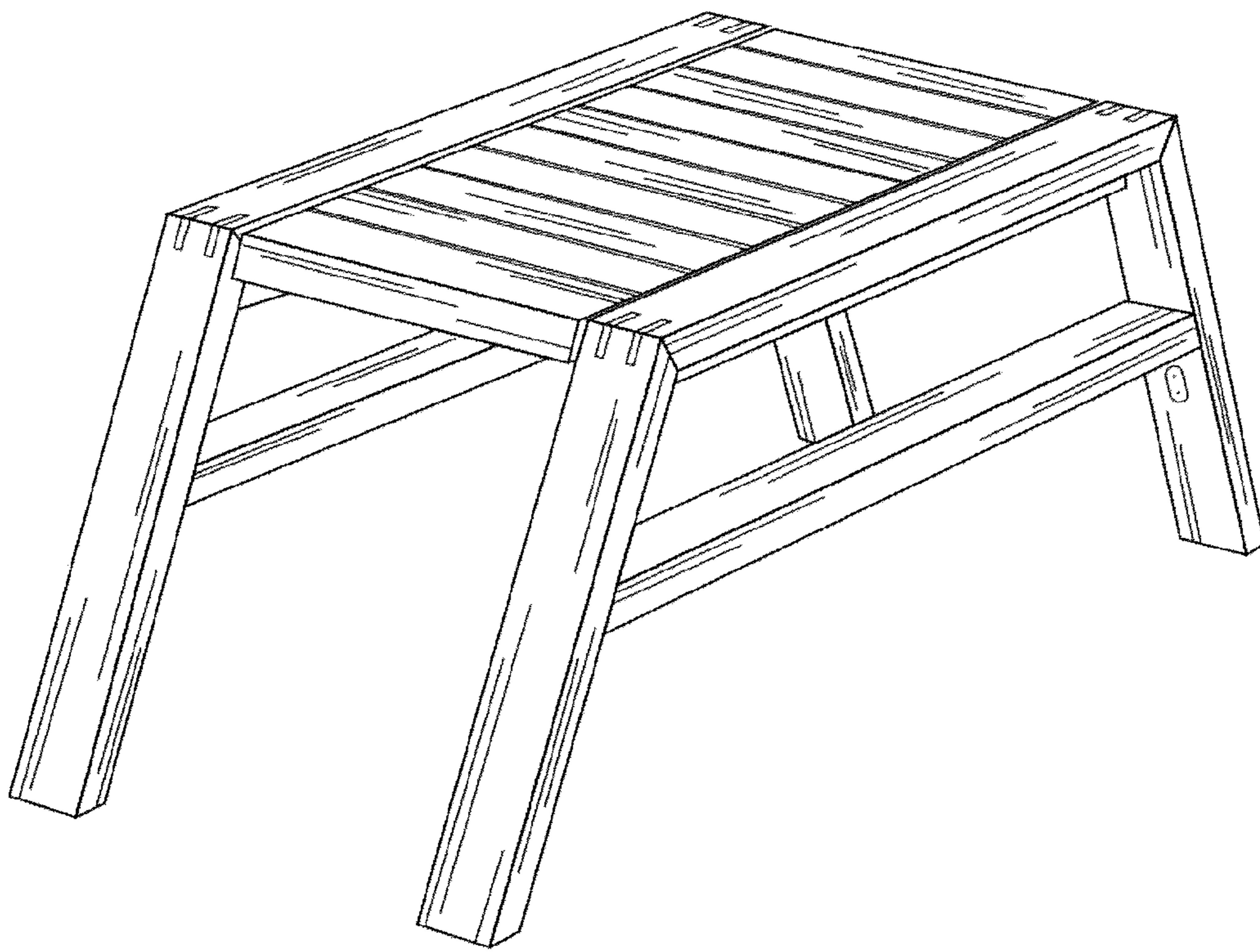


Fig. 1

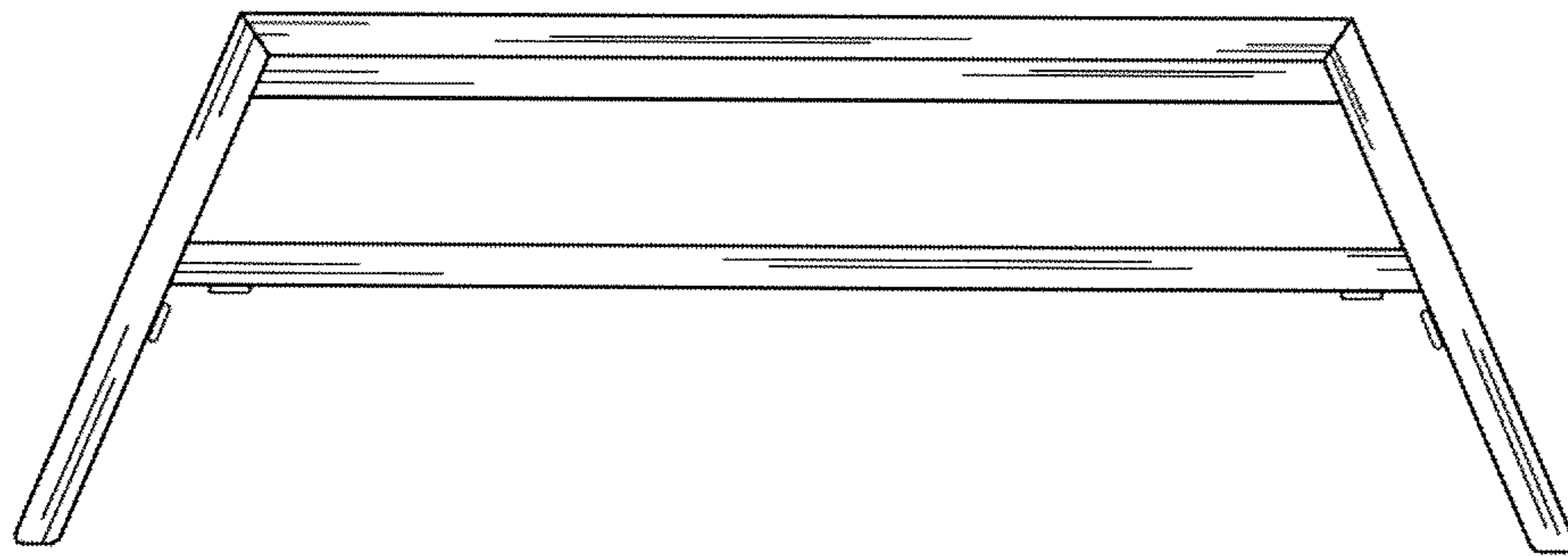


Fig. 2

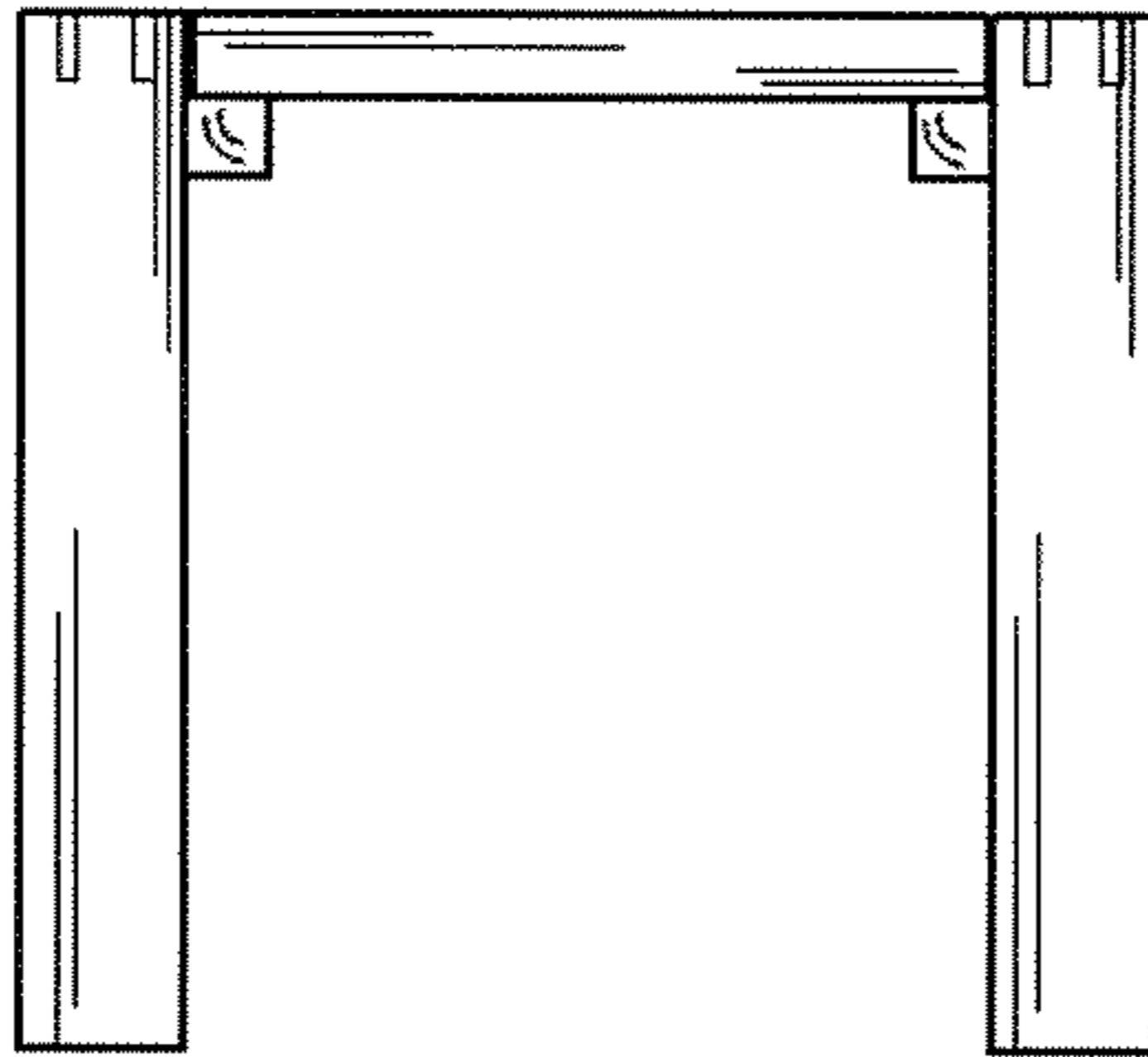


Fig. 3

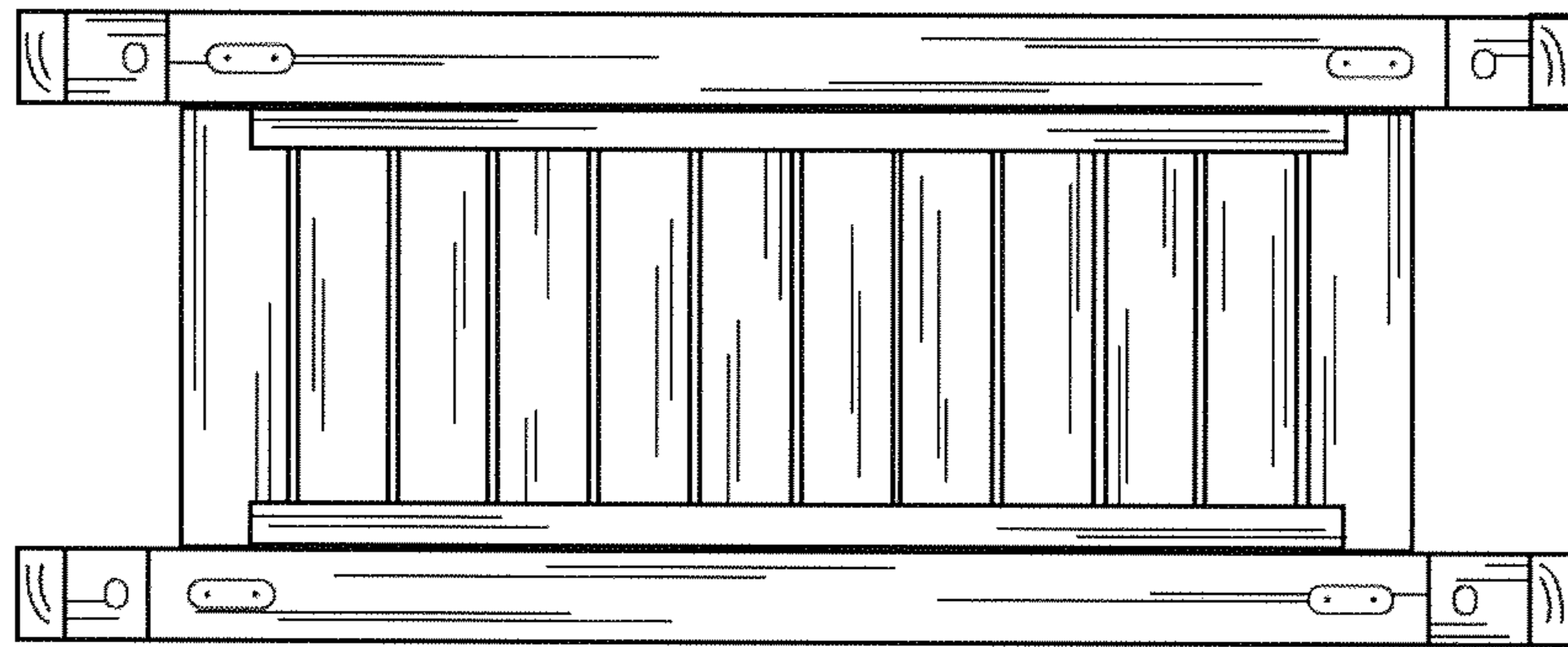


Fig. 4

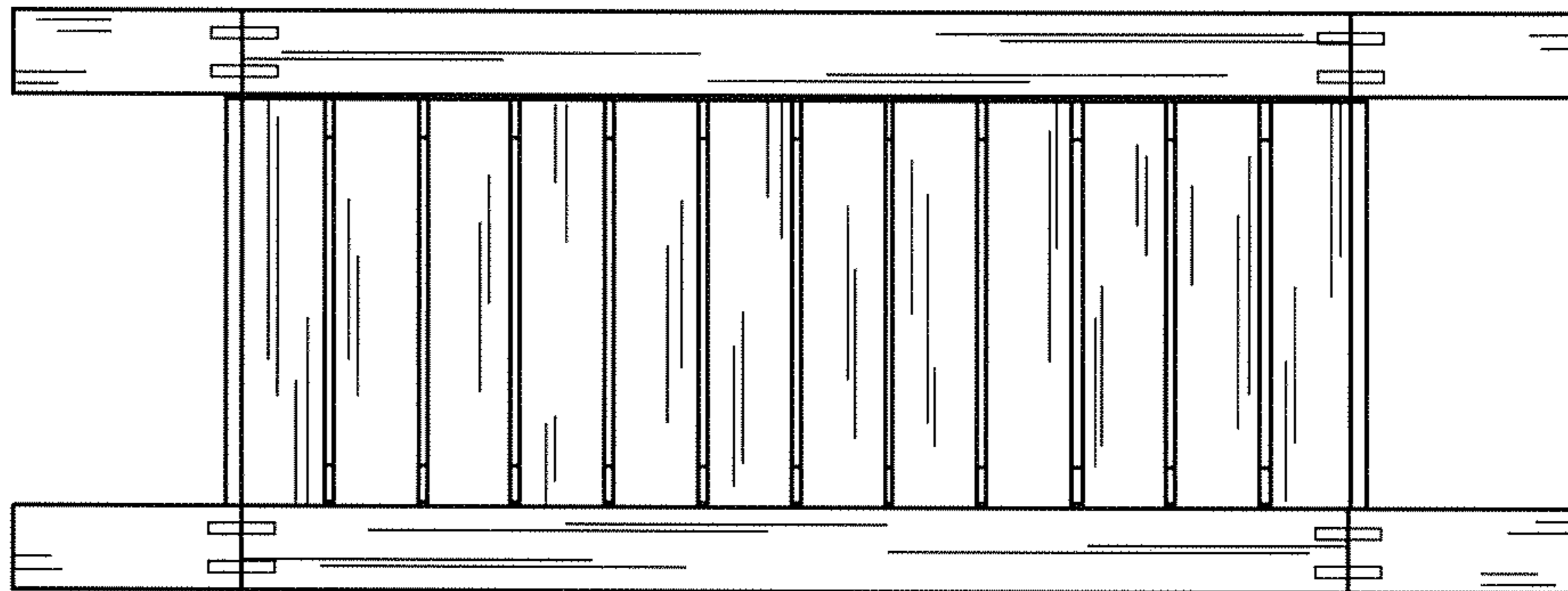


Fig. 5