



US00D728979S

(12) **United States Design Patent**
K'Nell

(10) **Patent No.:** **US D728,979 S**

(45) **Date of Patent:** **** May 12, 2015**

(54) **FRIDGE SHELF DISPLAY DEVICE**

(71) Applicant: **Oakmoore Pty Ltd**, Salisbury,
Queensland (AU)

(72) Inventor: **Ronnie K'Nell**, Salisbury (AU)

(73) Assignee: **Oakmoore Pty Ltd.**, Salisbury (AU)

(**) Term: **14 Years**

(21) Appl. No.: **29/508,803**

(22) Filed: **Nov. 11, 2014**

Related U.S. Application Data

(63) Continuation of application No. 29/430,422, filed on
Aug. 24, 2012.

(30) **Foreign Application Priority Data**

Feb. 24, 2012 (AU) 10895/2012

(51) **LOC (10) Cl.** **06-06**

(52) **U.S. Cl.**
USPC **D6/675.3**

(58) **Field of Classification Search**
USPC D6/396-397, 436, 449, 457, 461,
D6/466-468, 471, 473, 477-479, 510-513,
D6/672-673, 675.3, 702-703, 705, 705.5;
108/59, 91, 92; 211/13.1, 85.2, 85.26,
211/134, 153; D15/89

See application file for complete search history.

(56) **References Cited**

U.S. PATENT DOCUMENTS

3,007,558 A * 11/1961 Miller 52/846
D247,194 S * 2/1978 Win D26/152
D261,311 S * 10/1981 Schmidt D25/124
D275,434 S * 9/1984 Taub D6/511

D288,881 S * 3/1987 Cowdroy D6/491
D290,404 S * 6/1987 Stoler D25/119
D306,878 S * 3/1990 Crowley D20/43
5,031,083 A * 7/1991 Claesson 362/249.06
D344,423 S * 2/1994 Pate D6/511
D374,650 S * 10/1996 Shermeto D12/223
D392,131 S * 3/1998 Flagg D6/511
D398,708 S * 9/1998 Opielski et al. D25/119
D431,403 S * 10/2000 Ford D6/511
D457,024 S * 5/2002 Gratiot D6/511
6,659,623 B2 * 12/2003 Friend 362/249.06
D552,975 S * 10/2007 Ahlund D8/381
D561,018 S * 2/2008 Frank D8/395
D584,425 S * 1/2009 Chaney et al. D25/124
D587,731 S * 3/2009 Niedermeyer D15/136
D595,069 S * 6/2009 Berry et al. D6/491
D595,984 S * 7/2009 Kollman et al. D6/580
7,854,527 B2 * 12/2010 Anderson 362/133
D641,101 S * 7/2011 Radchenko et al. D26/138
D649,692 S * 11/2011 Trzesniowski D26/138
D665,123 S * 8/2012 Douglas D26/138
D674,220 S * 1/2013 Kim D6/702
D674,221 S * 1/2013 Kim D6/702
D692,931 S * 11/2013 Roberson D15/89
D702,466 S * 4/2014 Kim D6/702
D705,043 S * 5/2014 Michaud et al. D8/366
D715,994 S * 10/2014 Klus D26/141

* cited by examiner

Primary Examiner — Kelley Donnelly

(74) *Attorney, Agent, or Firm* — Volpe and Koenig, P.C.

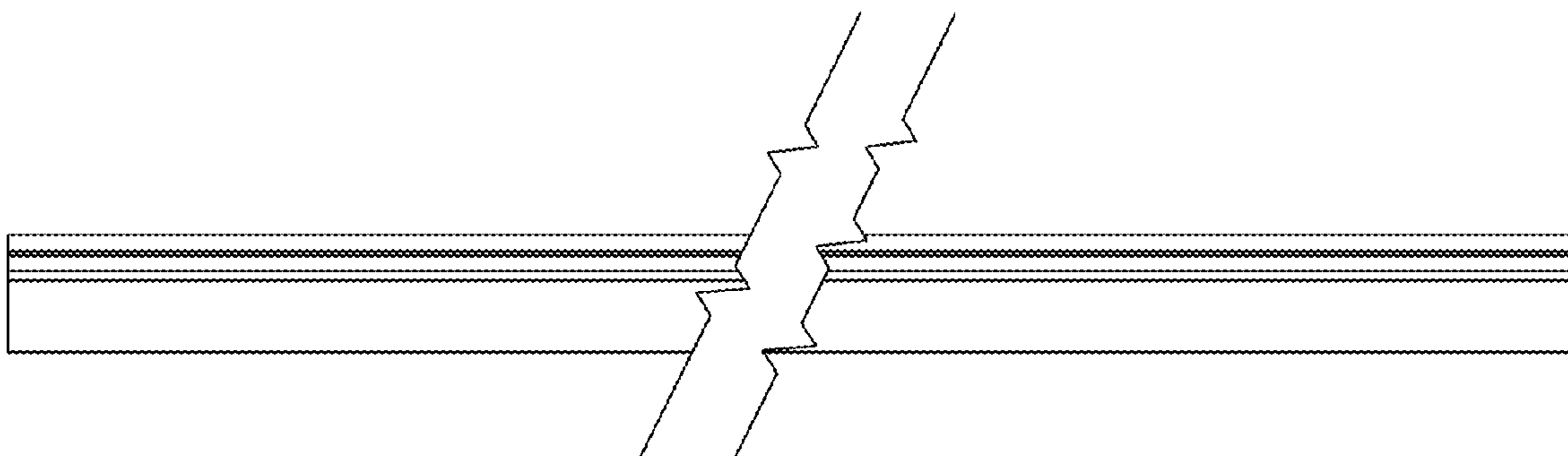
(57) **CLAIM**

The ornamental design for a fridge shelf display device, as
shown and described.

DESCRIPTION

FIG. 1 is a front view of the invention;
FIG. 2 is a top view of the invention shown in FIG. 1;
FIG. 3 is a right side view of the invention shown in FIG. 1;
FIG. 4 is a left side view of the invention shown in FIG. 1; and,
FIG. 5 is a perspective view of the invention shown in FIG. 1.

1 Claim, 2 Drawing Sheets



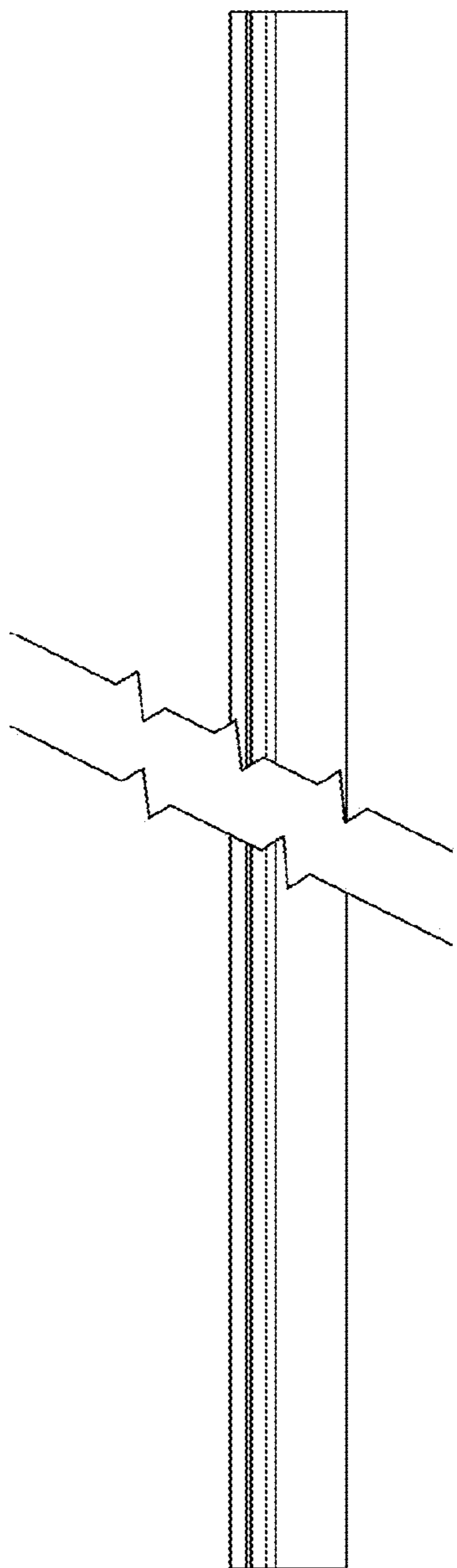


FIG. 1

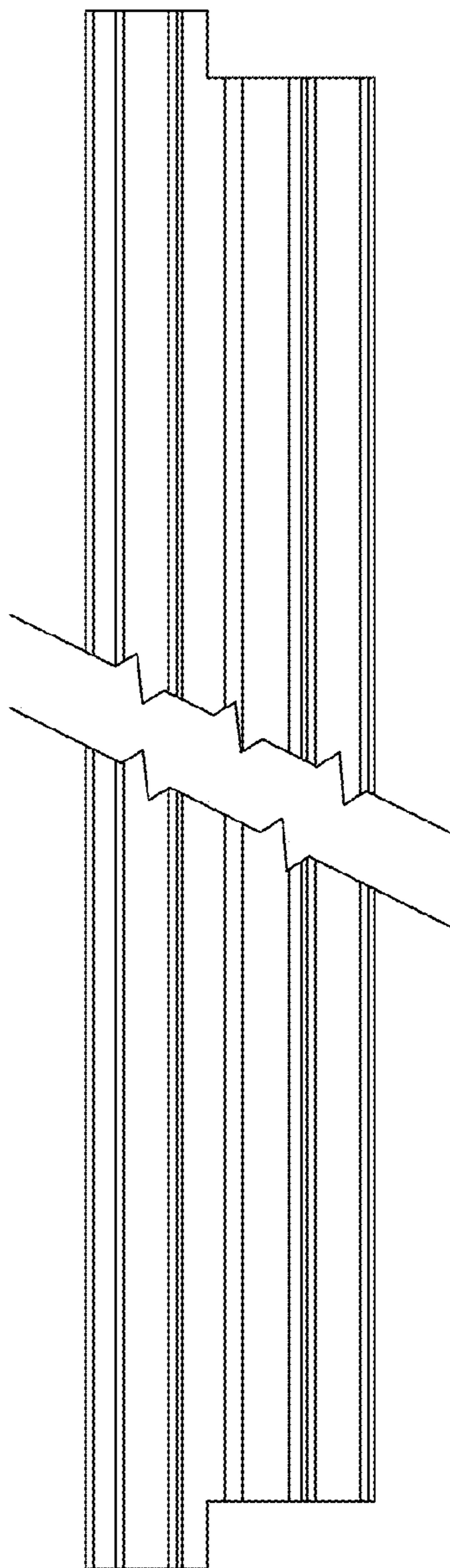


FIG. 2

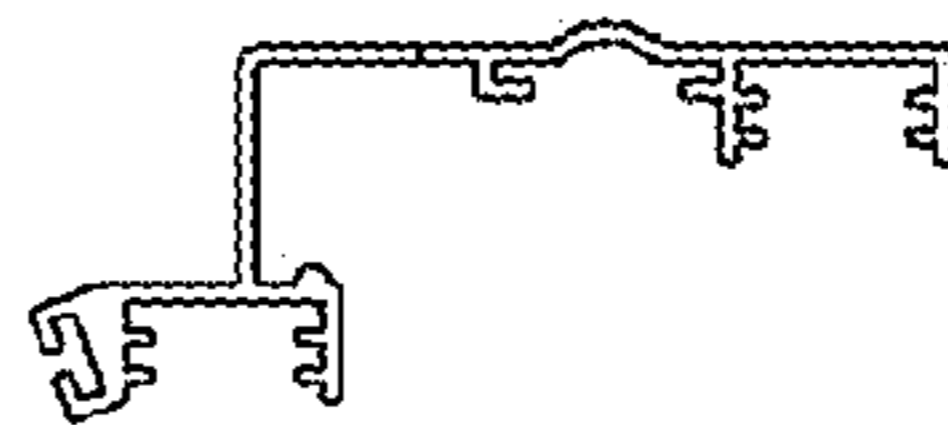


FIG. 3

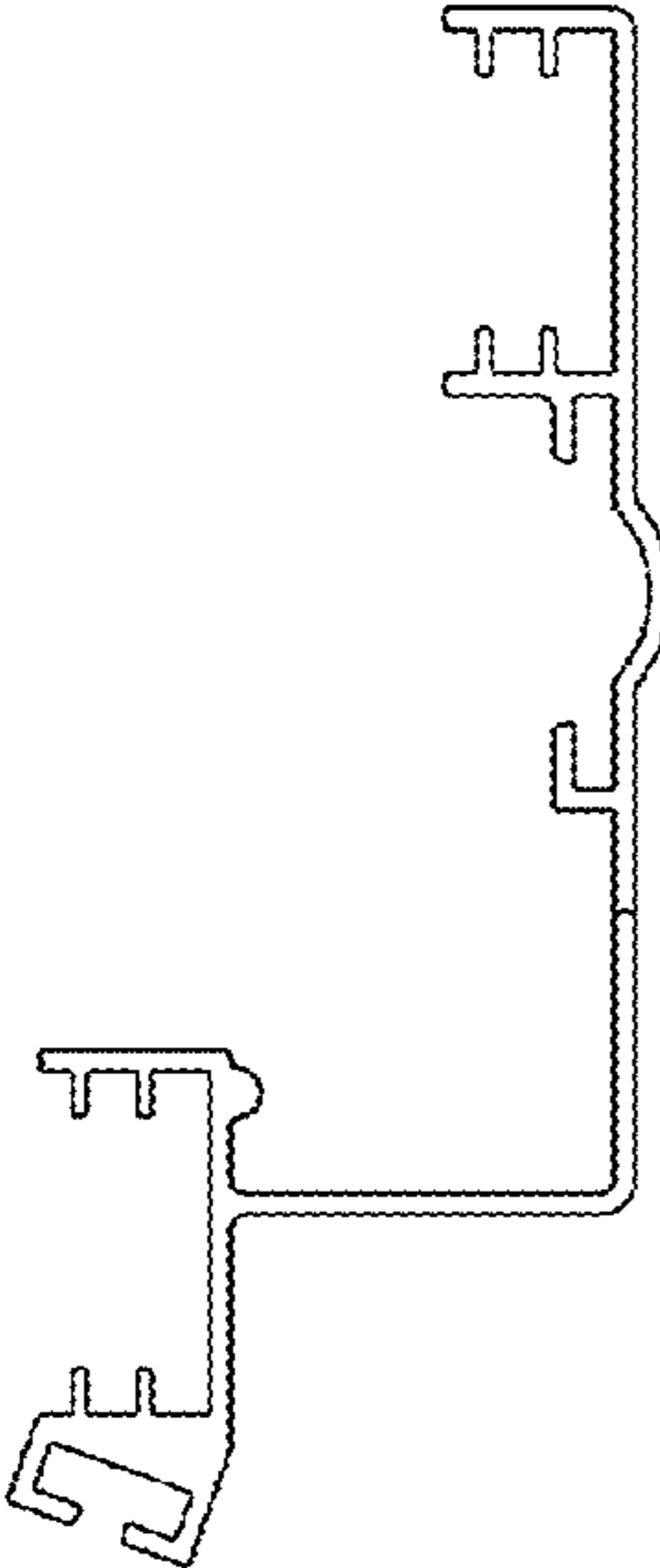


FIG. 4

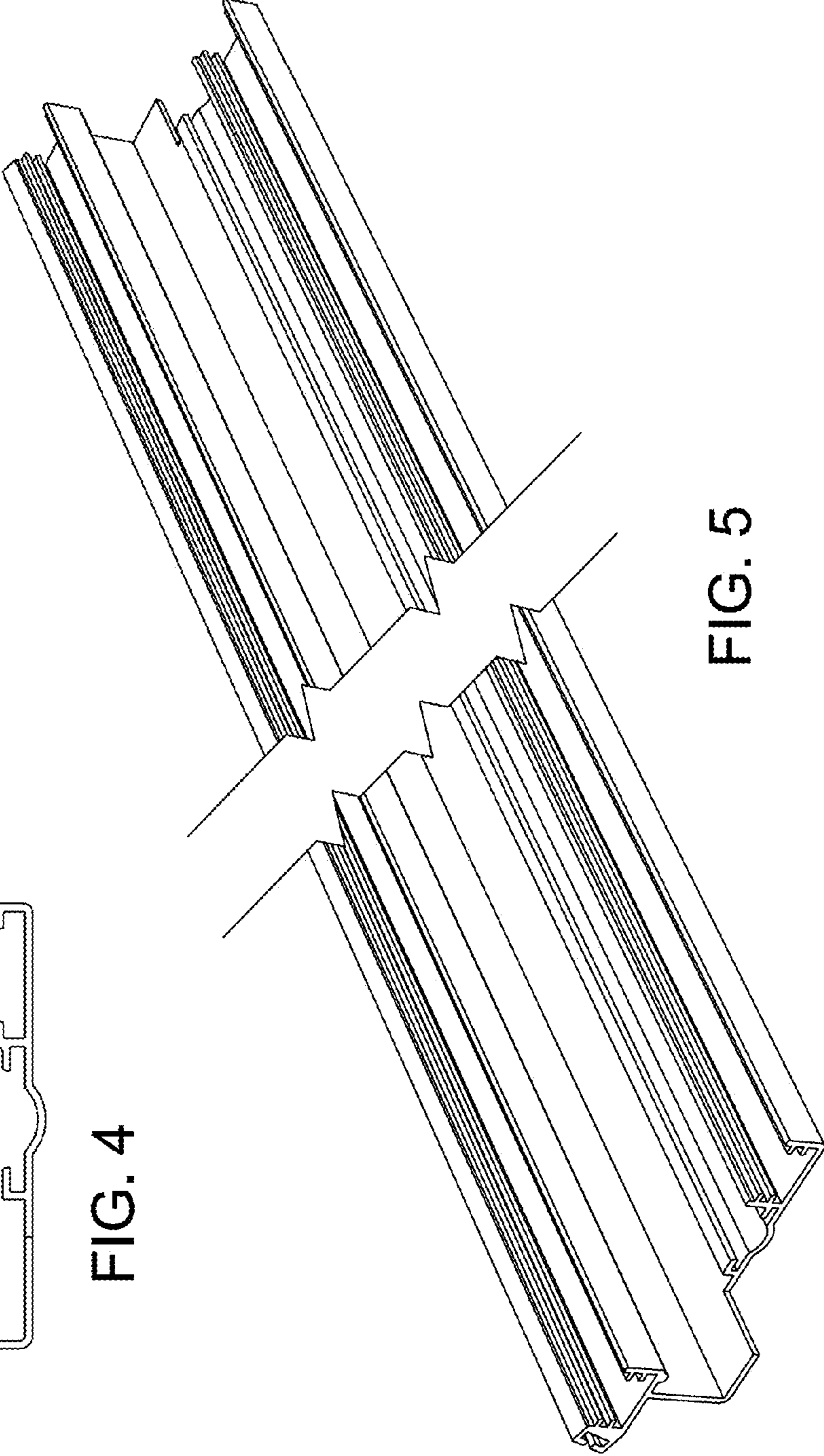


FIG. 5