

US00D728978S

(12) **United States Design Patent**
Williams et al.

(10) **Patent No.:** **US D728,978 S**
(45) **Date of Patent:** **** May 12, 2015**

(54) **BRACELET AND HEXAGON JEWELRY TRAY**

(71) Applicant: **LF Centennial Ltd.**, Road Town, Tortola (VG)

(72) Inventors: **Matthew G. Williams**, Lighthouse Point, FL (US); **Jose Suero**, Boca Raton, FL (US)

(73) Assignee: **LF Centennial Ltd.**, Road Town, Tortola (VG)

(**) Term: **14 Years**

(21) Appl. No.: **29/486,384**

(22) Filed: **Mar. 28, 2014**

(51) **LOC (10) Cl.** **06-06**

(52) **U.S. Cl.**
USPC **D6/675**

(58) **Field of Classification Search**
USPC D6/449, 512, 672, 675, 682, 683;
D9/759-760, 456; D3/304, 313-314,
D3/315, 319; D7/550.1, 553.1, 553.4;
220/575; 206/503, 505, 557, 564, 566
See application file for complete search history.

(56) **References Cited**

U.S. PATENT DOCUMENTS

D205,676 S * 9/1966 Kirwan D7/553.5
5,887,749 A * 3/1999 Schommer et al. 220/575
6,152,302 A * 11/2000 Miller et al. 206/549

D459,078 S * 6/2002 Tondino D3/313
6,883,692 B2 * 4/2005 Harden et al. 224/275
D575,582 S * 8/2008 Geens D7/505
D586,516 S * 2/2009 Moon D32/53.1
D600,504 S * 9/2009 Clark D7/553.5
7,874,449 B1 * 1/2011 Studee et al. 220/502
D651,047 S * 12/2011 Johnson et al. D7/553.1
D691,856 S * 10/2013 Dabney-Wiggs D7/553.2

* cited by examiner

Primary Examiner — Kelley Donnelly

(74) *Attorney, Agent, or Firm* — Duane Morris LLP; J. Rodman Steele, Jr.; Gregory M. Lefkowitz

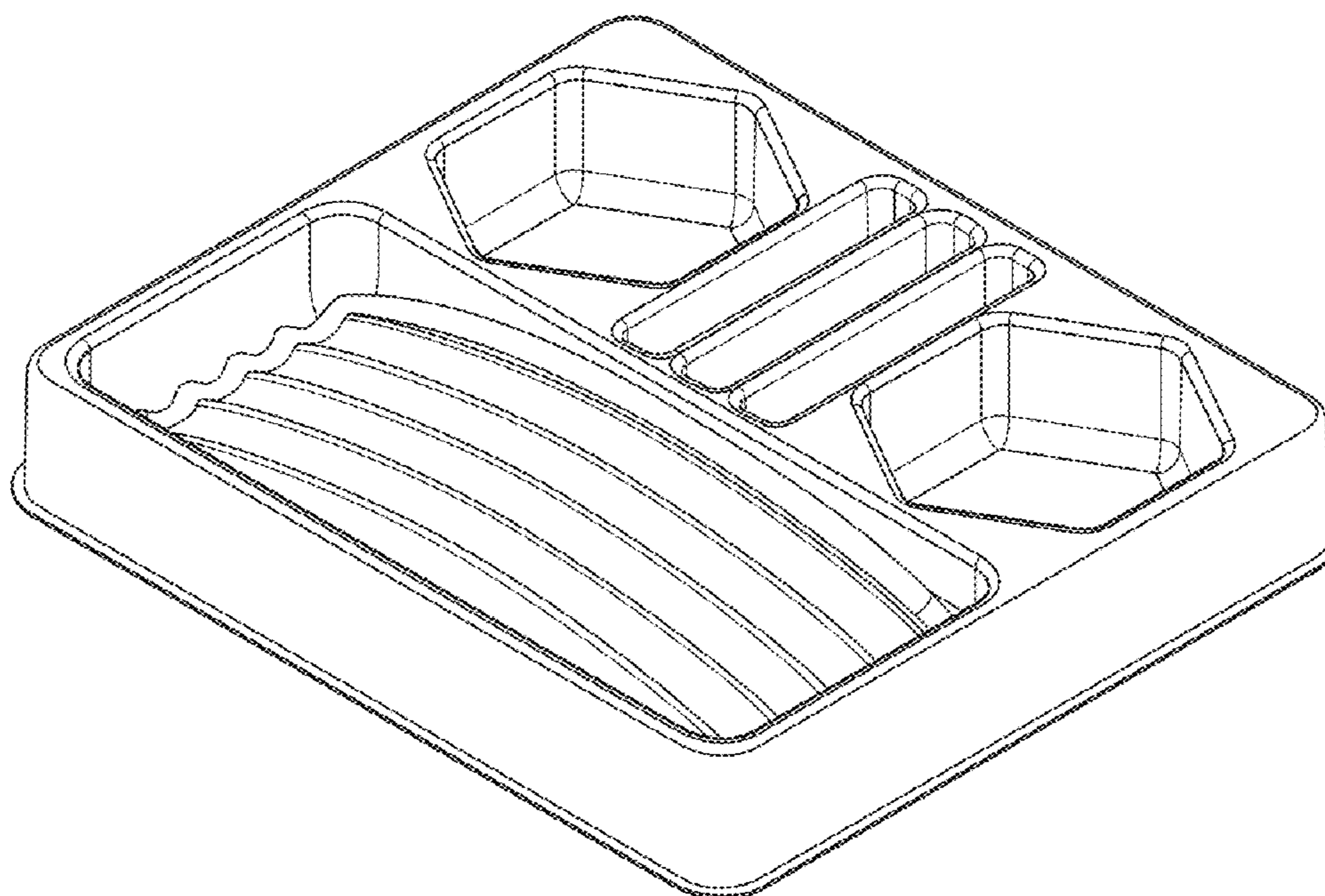
(57) **CLAIM**

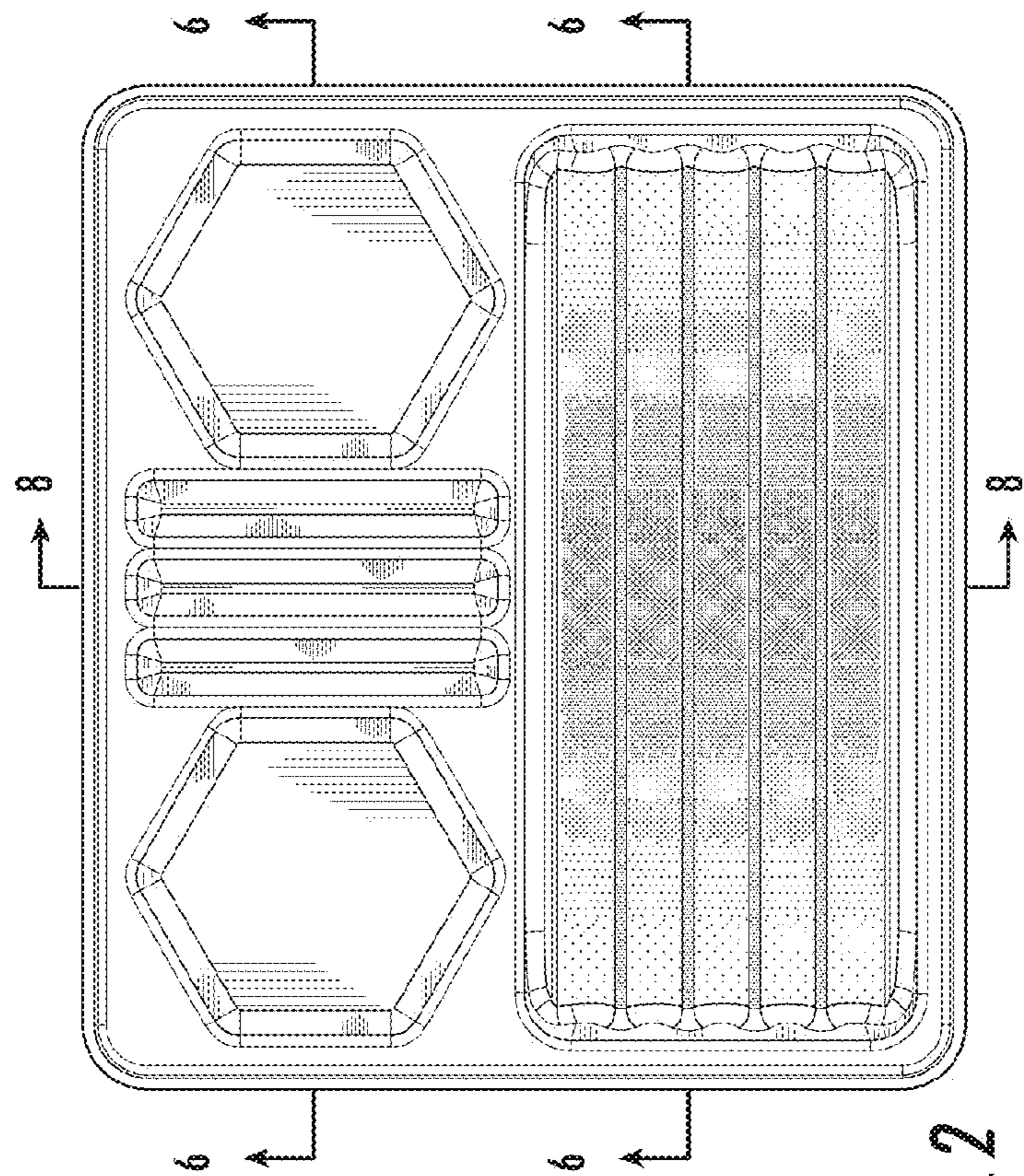
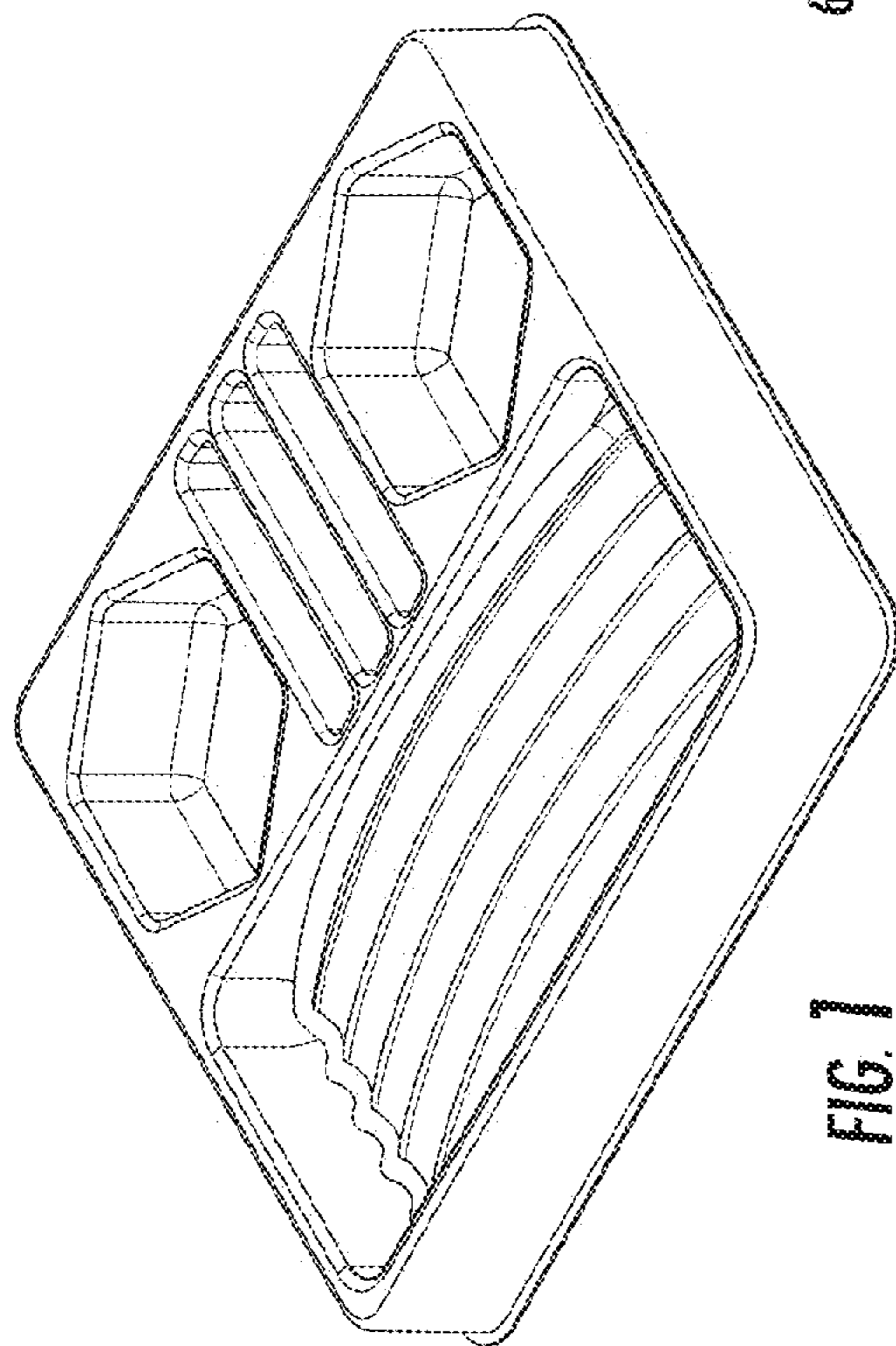
The ornamental design for an bracelet and hexagon jewelry tray, as shown and described.

DESCRIPTION

FIG. 1 is a front, perspective view of our ornamental design; FIG. 2 is a top view of the ornamental design of FIG. 1; FIG. 3 is a front view of the ornamental design of FIG. 1; FIG. 4 is a right side view of the ornamental design of FIG. 1; FIG. 5 is a bottom view of the ornamental design of FIG. 1; FIG. 6 is a cross-sectional view of the ornamental design taken along cut line 6-6 of FIG. 2; FIG. 7 is a cross-sectional view of the ornamental design taken along cut line 7-7 of FIG. 2; and, FIG. 8 is a cross-sectional view of the ornamental design taken along cut line 8-8 of FIG. 2. The back view is a mirror image of the front view. The left side view is a mirror image of the right side view.

1 Claim, 4 Drawing Sheets





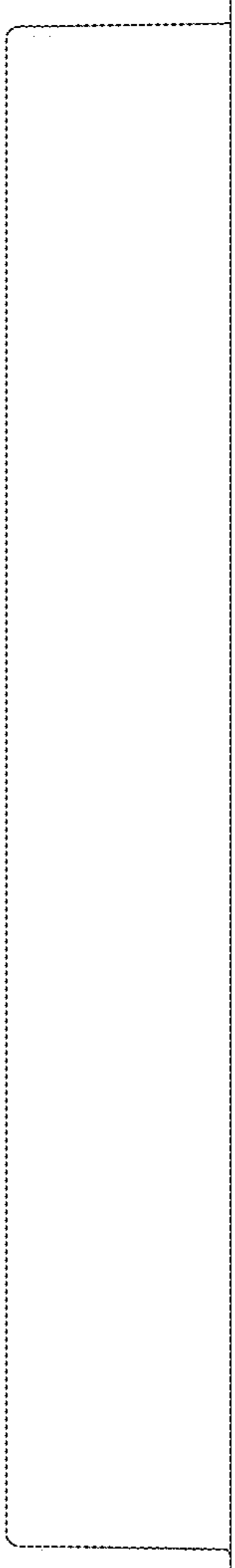


FIG. 3

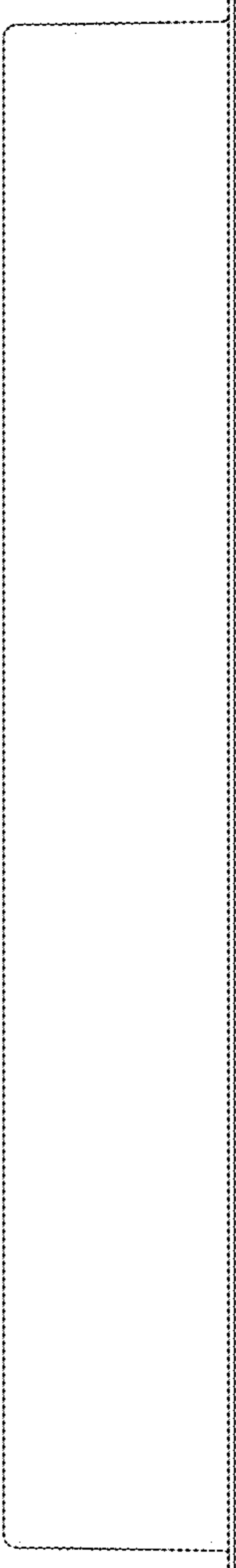


FIG. 4

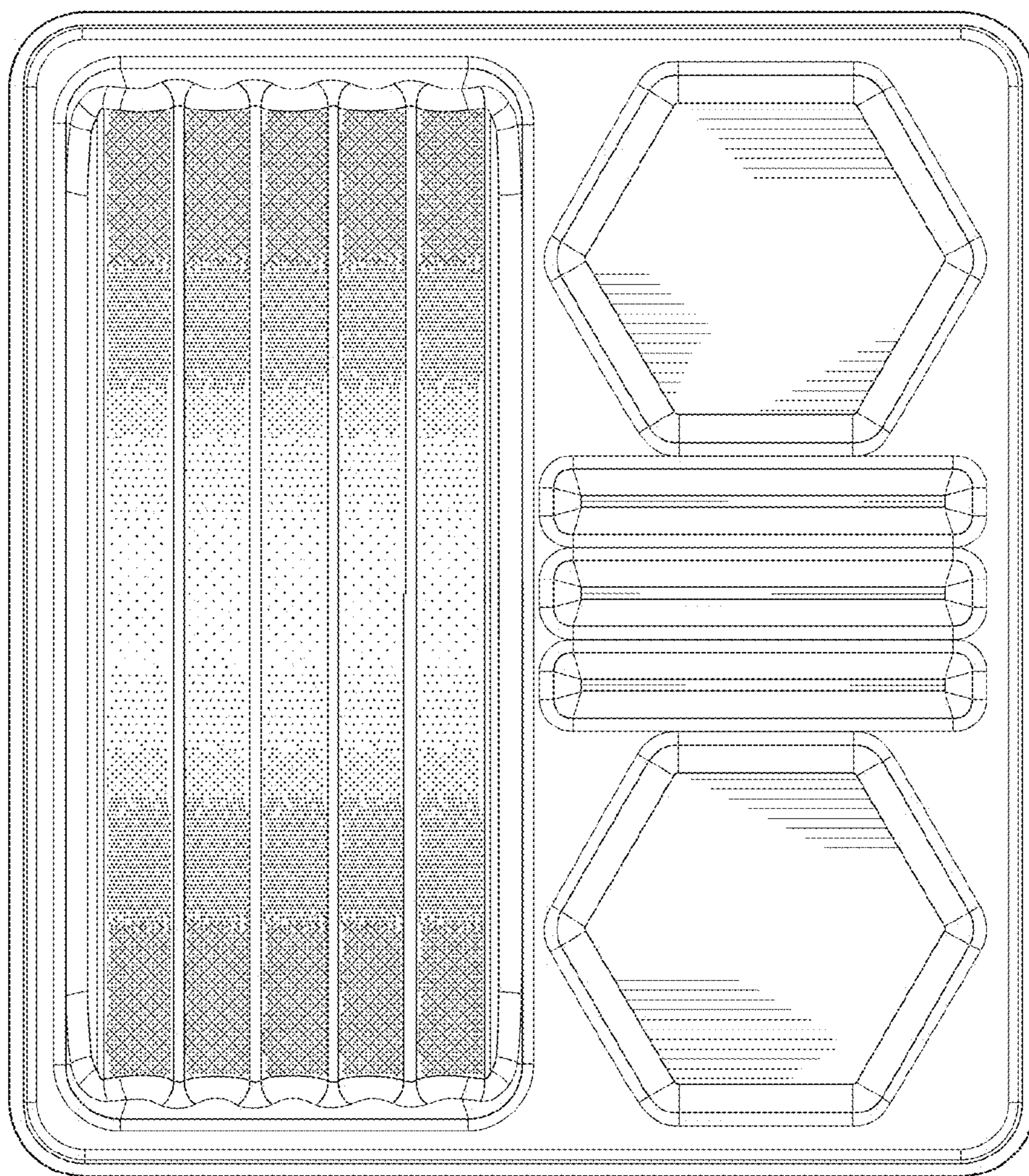


FIG. 5

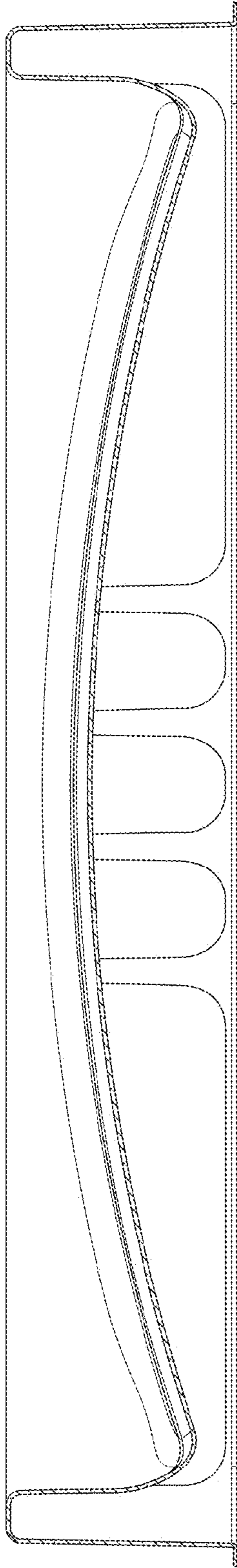


FIG. 6

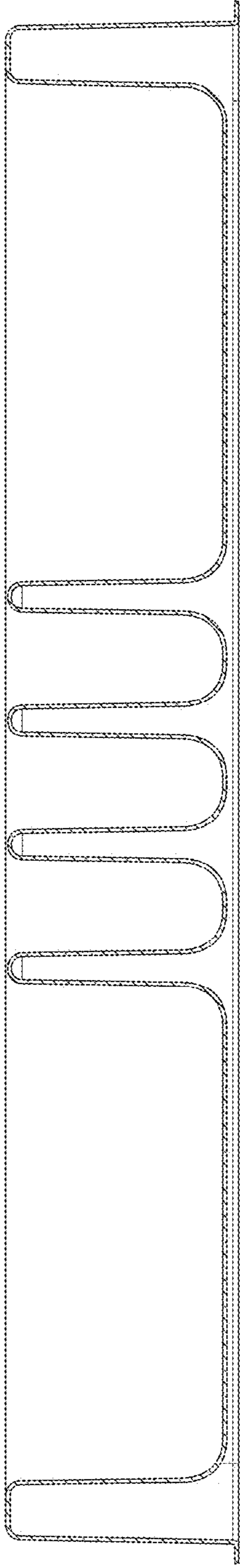


FIG. 7

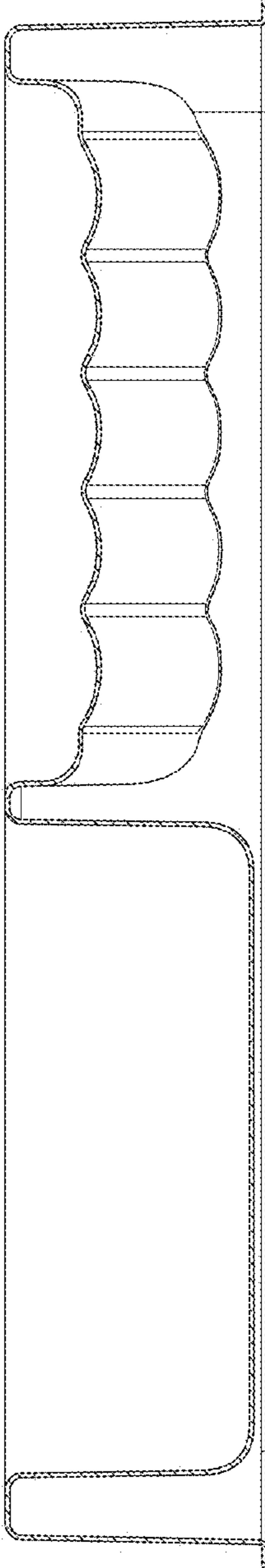


FIG. 8