



US00D728974S

(12) **United States Design Patent**
Vats

(10) **Patent No.:** **US D728,974 S**
(45) **Date of Patent:** **** May 12, 2015**

(54) **INTERACTIVE TRANSPARENT SURFACE TABLE**

Primary Examiner — Janice Seeger

(74) *Attorney, Agent, or Firm* — Crose Law LLC; Bradley D. Crose

(71) Applicant: **Nitin Vats**, Meerut (IN)

(57) **CLAIM**

The ornamental design for an interactive transparent surface table, as shown and described.

(72) Inventor: **Nitin Vats**, Meerut (IN)

DESCRIPTION

(**) Term: **14 Years**

FIG. 1 is a front perspective view of an interactive transparent surface showing our new design;

(21) Appl. No.: **29/480,201**

FIG. 2 is a front view thereof;

(22) Filed: **Jan. 24, 2014**

FIG. 3 is a rear view thereof;

(51) **LOC (10) Cl.** **06-03**

FIG. 4 is a right side view thereof;

(52) **U.S. Cl.**

FIG. 5 is a left side view thereof;

USPC **D6/656.11**; D14/305; D6/656.18

FIG. 6 is a top view thereof;

(58) **Field of Classification Search**

FIG. 7 is a front perspective view of the interactive transparent surface table showing a transparent display part in an opened position;

CPC A47B 2200/0027; A47B 2200/0029;

FIG. 8 is a front view of the interactive transparent surface table showing the transparent display part in an opened position;

A47B 17/00; A47B 17/003; A47B 21/00;

FIG. 9 is a rear view of the interactive transparent surface table showing the transparent display part in an opened position;

A47B 21/02; A47B 2097/006; A47B 27/00;

FIG. 10 is a right side view of the interactive transparent surface table showing the transparent display part in an opened position;

A47B 2009/003; A47B 9/18; A47B 21/007;

FIG. 11 is a left side view of the interactive transparent surface table showing the transparent display part in an opened position; and,

A47B 21/0073; A47B 27/16; A47B

FIG. 12 is a top view of the interactive transparent surface table showing the transparent display part in an opened position.

2200/0043; A47B 2200/0073

The shade lines in the Figures show contour or transparency and not surface ornamentation.

USPC D6/641, 656, 656.1, 656.11, 656.13,

The broken lines in the FIGS. 1-4, 7-10 show portions of the interactive transparent surface table which form no part of the claimed design.

D6/656.15, 656.16, 656.17, 656.18, 691,

D6/691.4, 691.5, 691.6, 642, 647;

D14/305

See application file for complete search history.

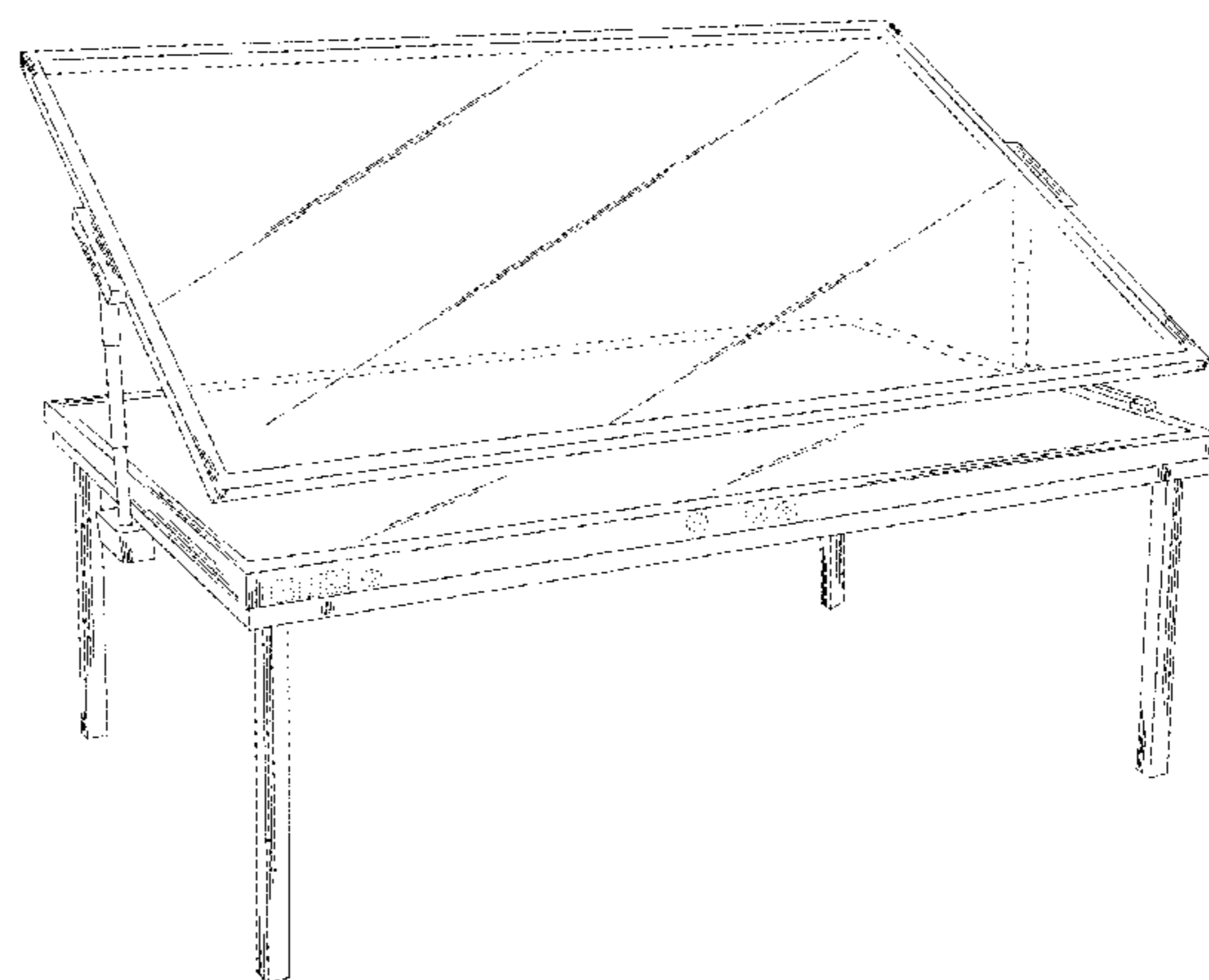
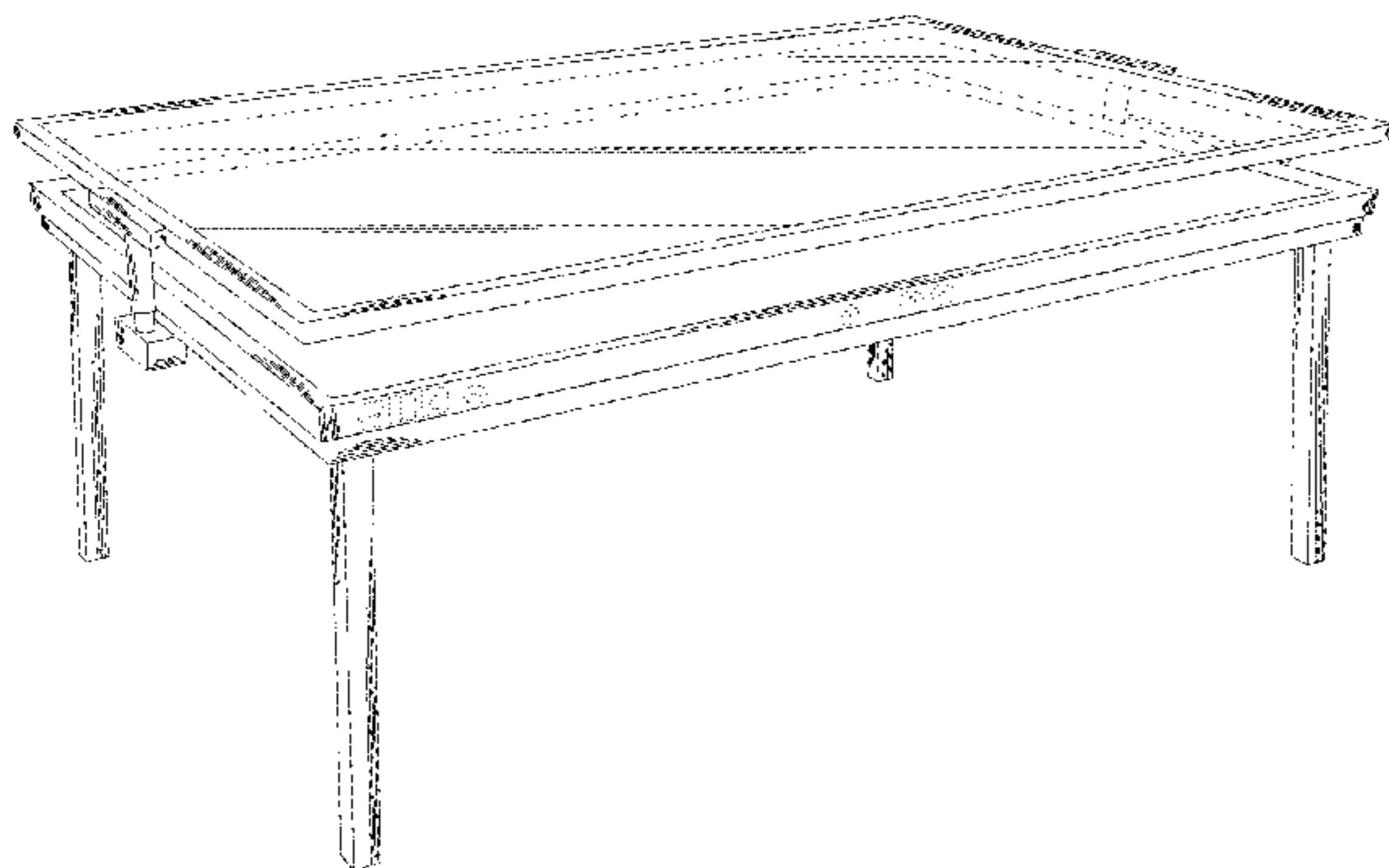
(56) **References Cited**

U.S. PATENT DOCUMENTS

D246,880 S *	1/1978	Miola	D24/183
D431,398 S *	10/2000	Luong et al.	D6/484
2010/0307382 A1 *	12/2010	Mammana et al.	108/5
2014/0212852 A1 *	7/2014	Spencer et al.	434/219

* cited by examiner

1 Claim, 6 Drawing Sheets



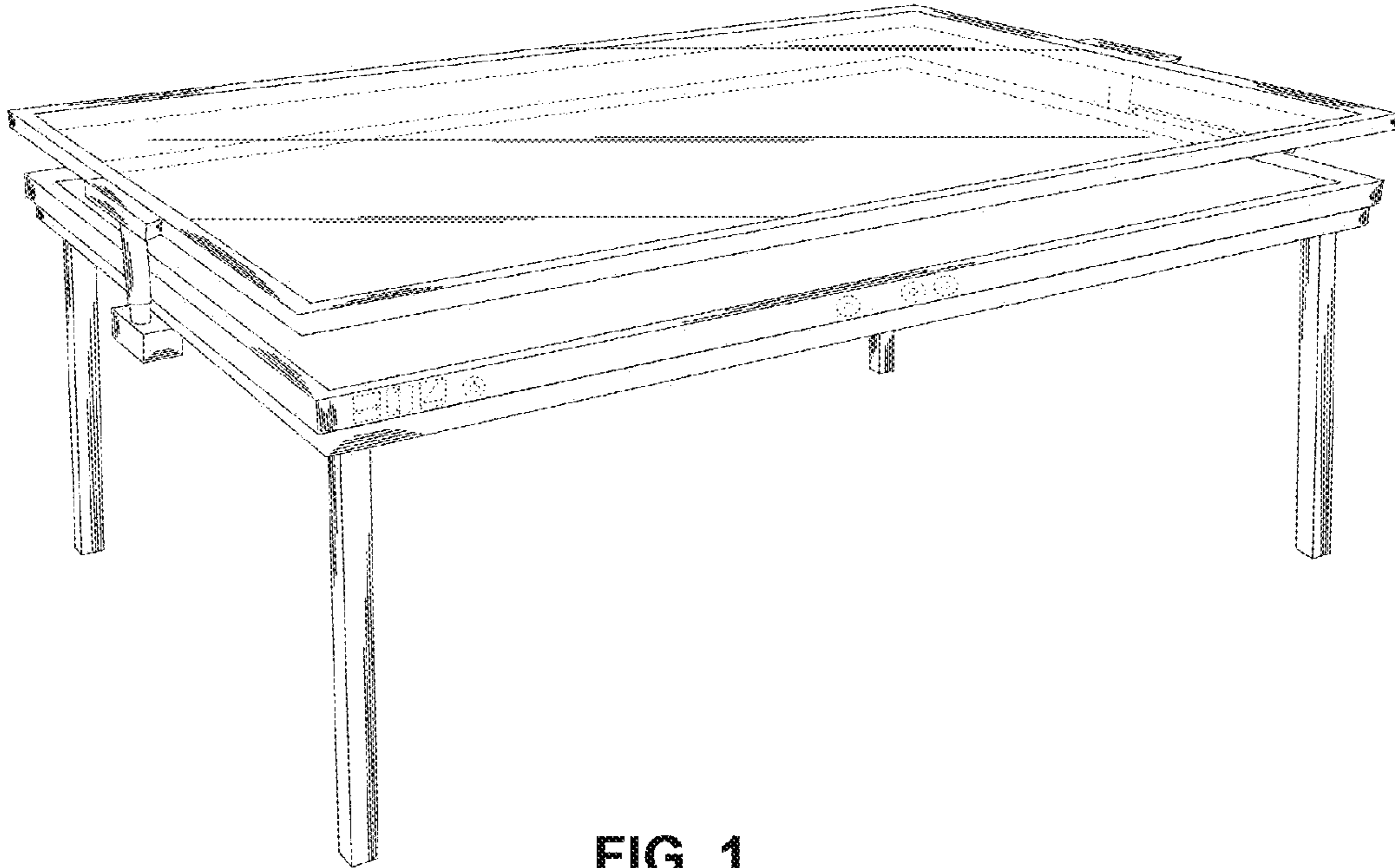


FIG. 1

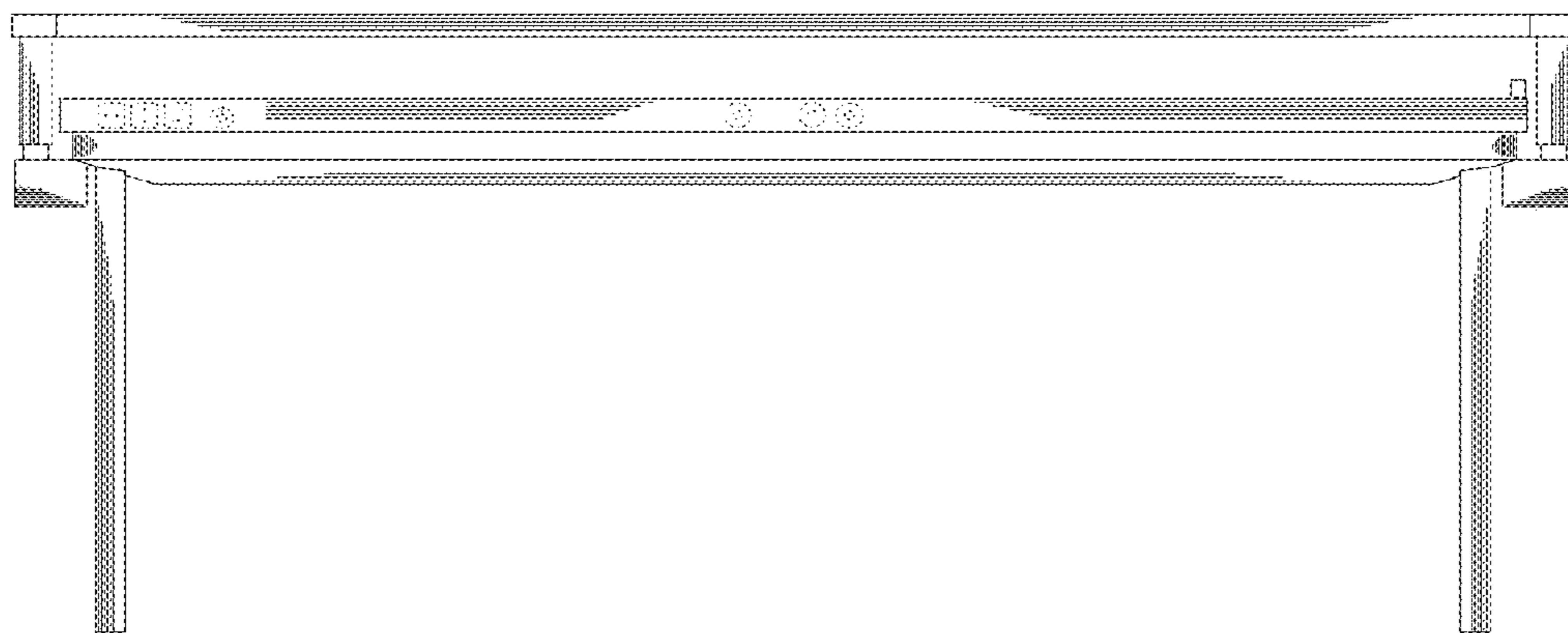


FIG. 2



FIG. 3

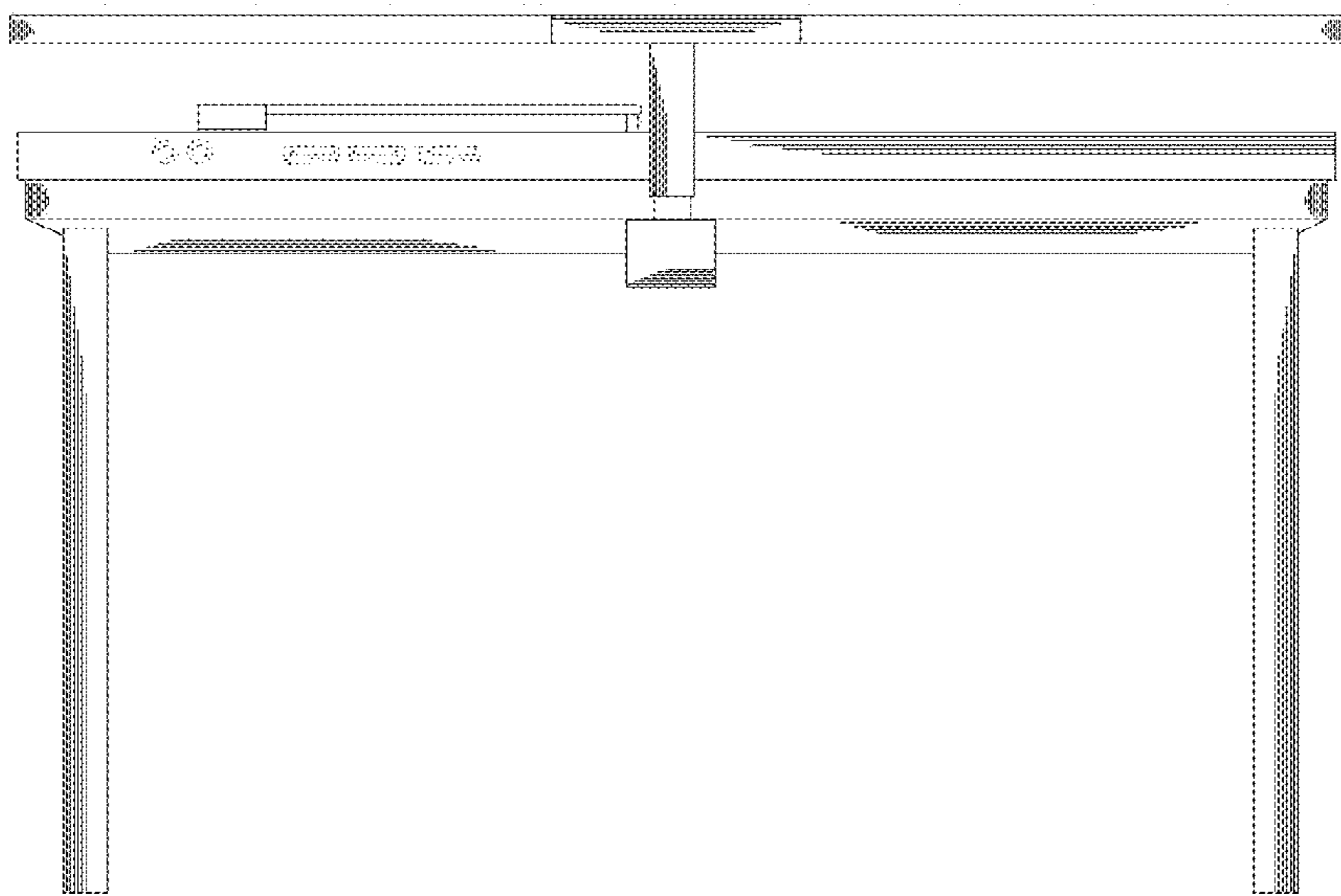


FIG. 4

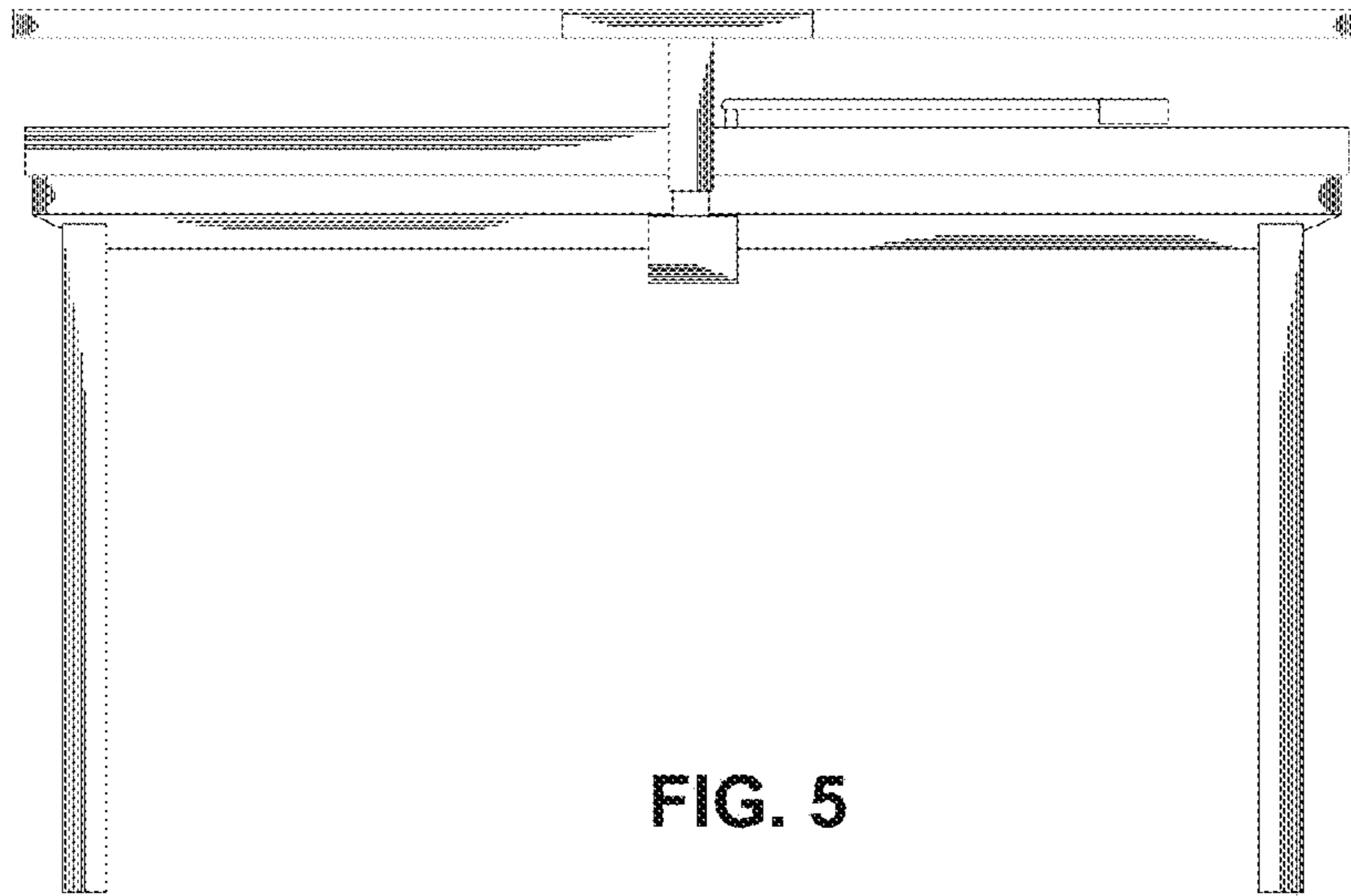


FIG. 5

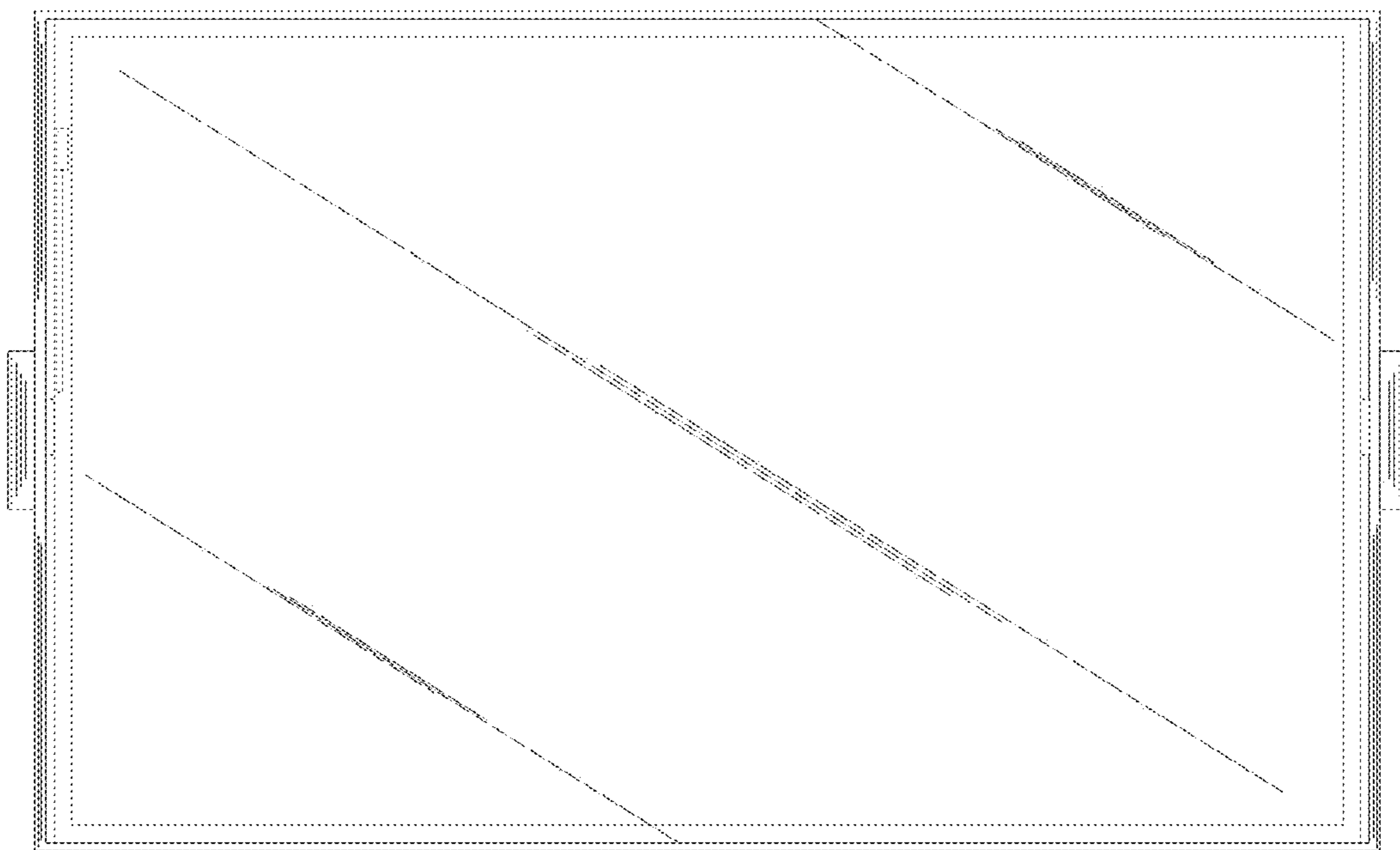


FIG. 6

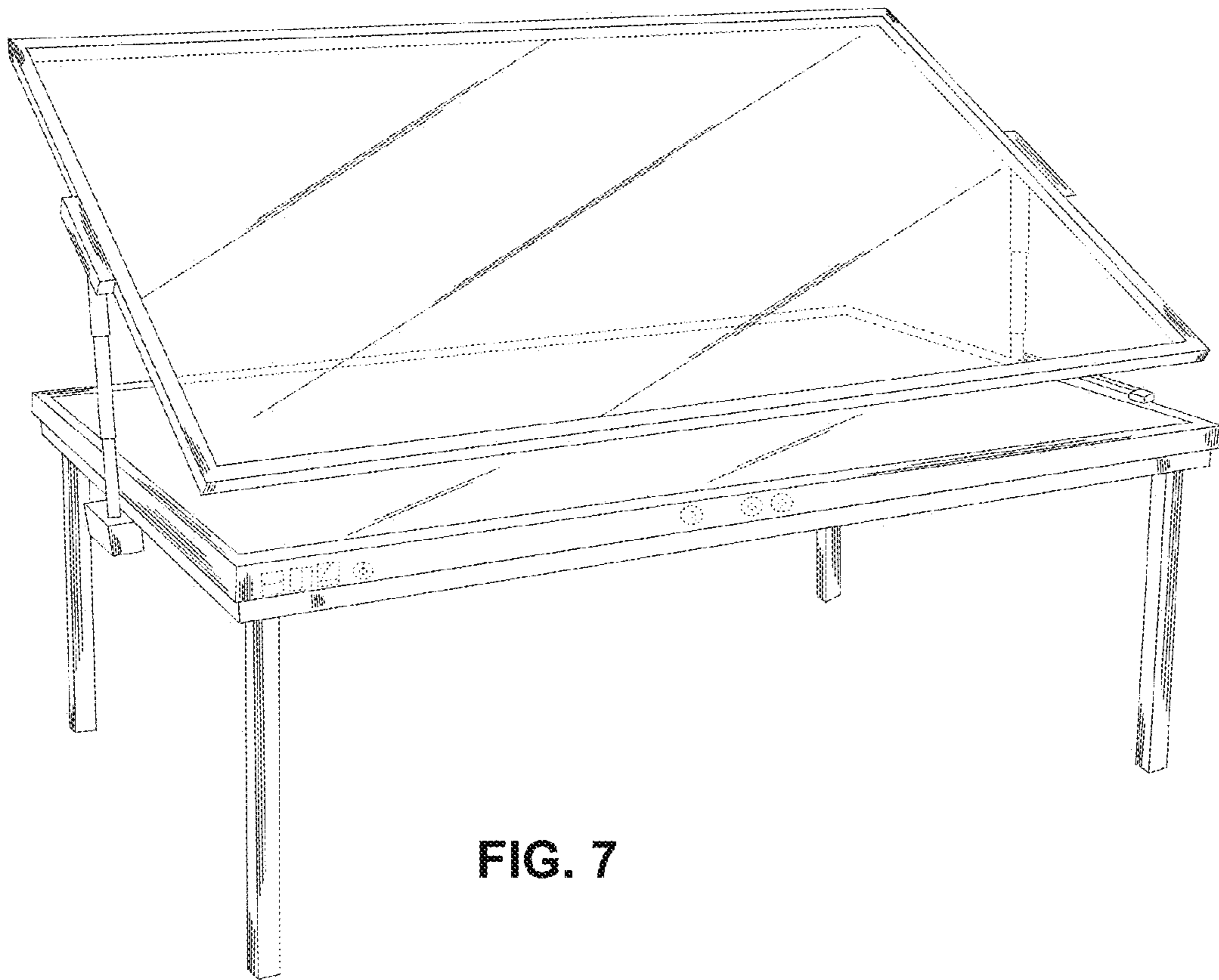


FIG. 7

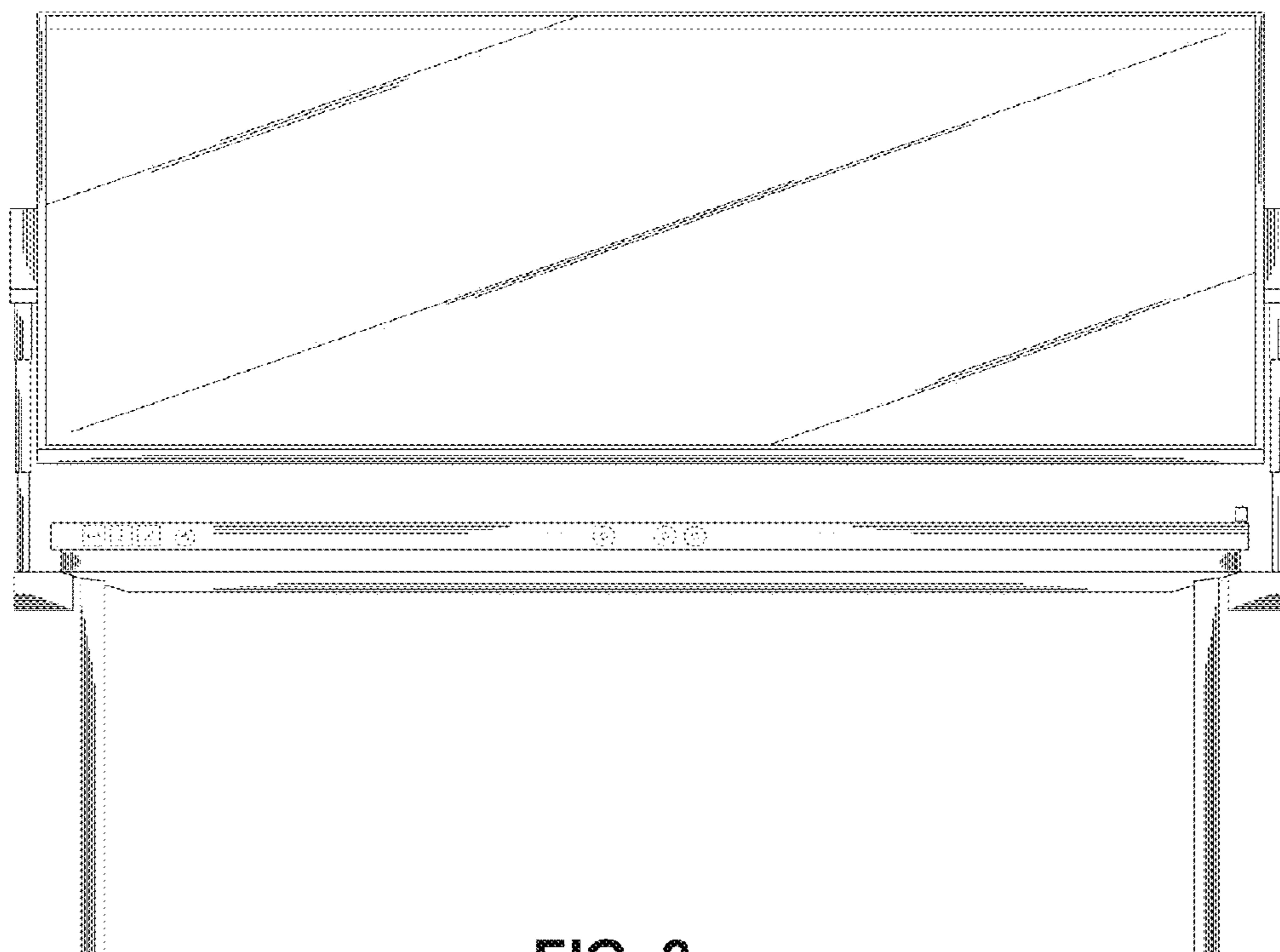
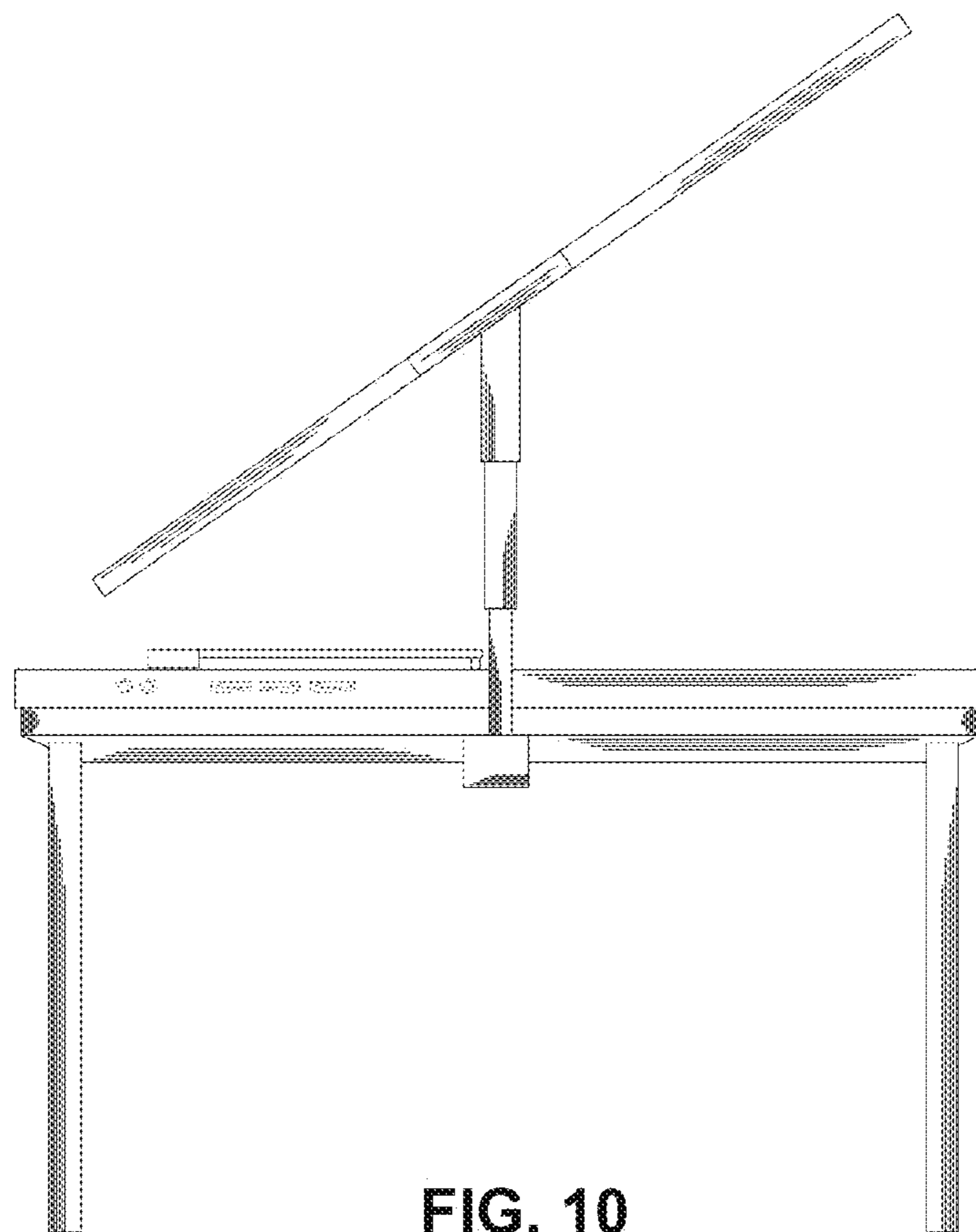
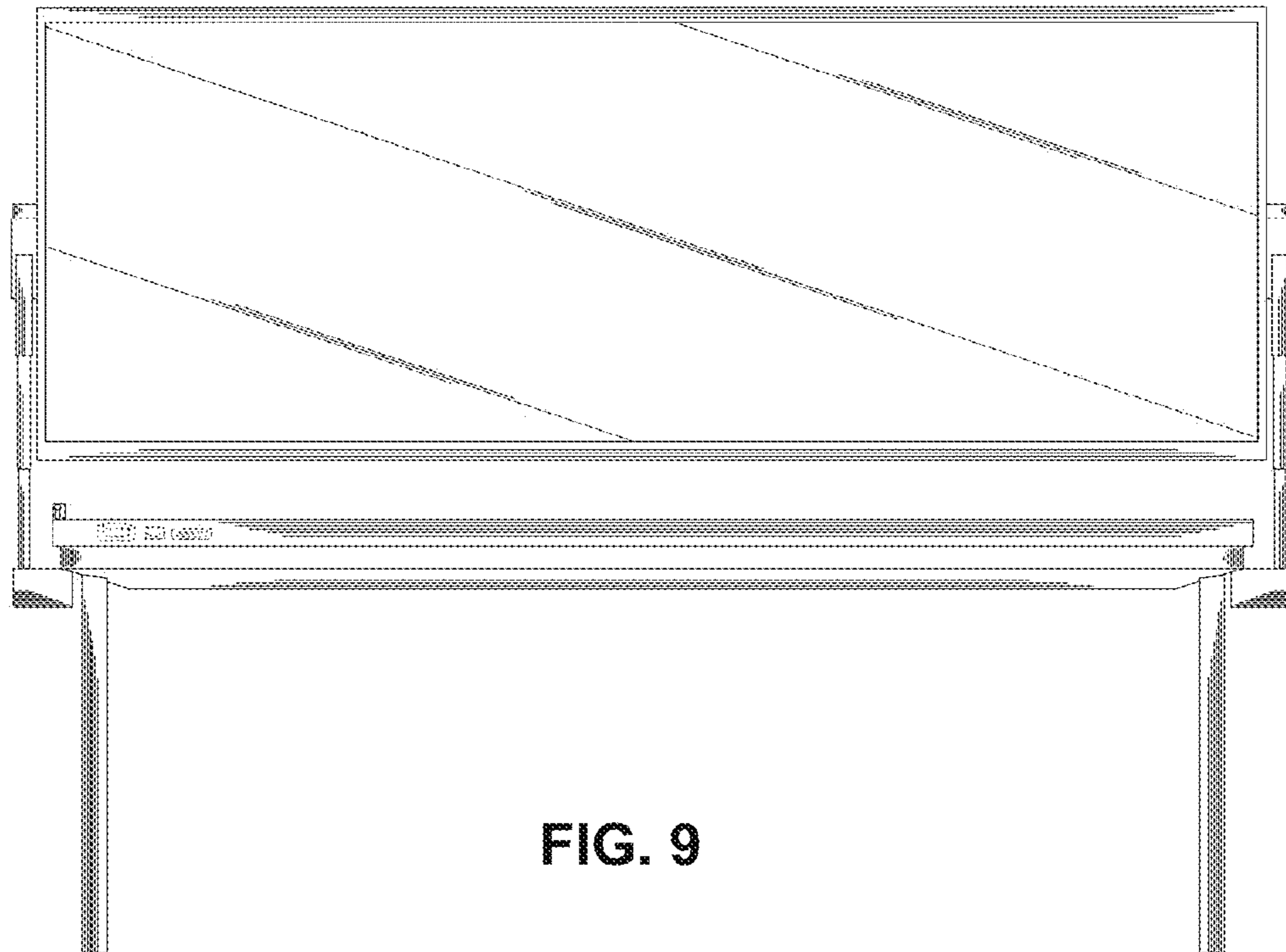


FIG. 8



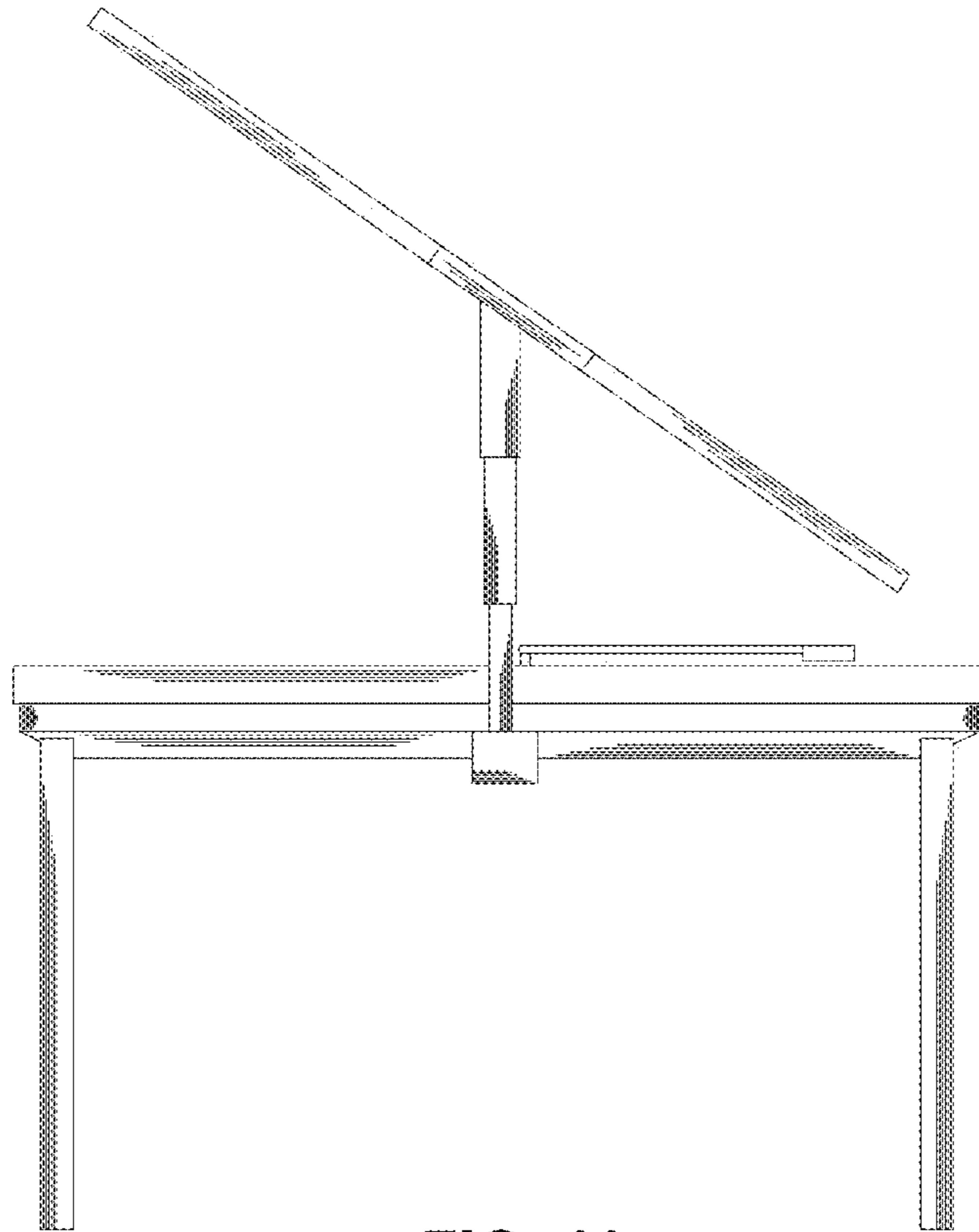


FIG. 11

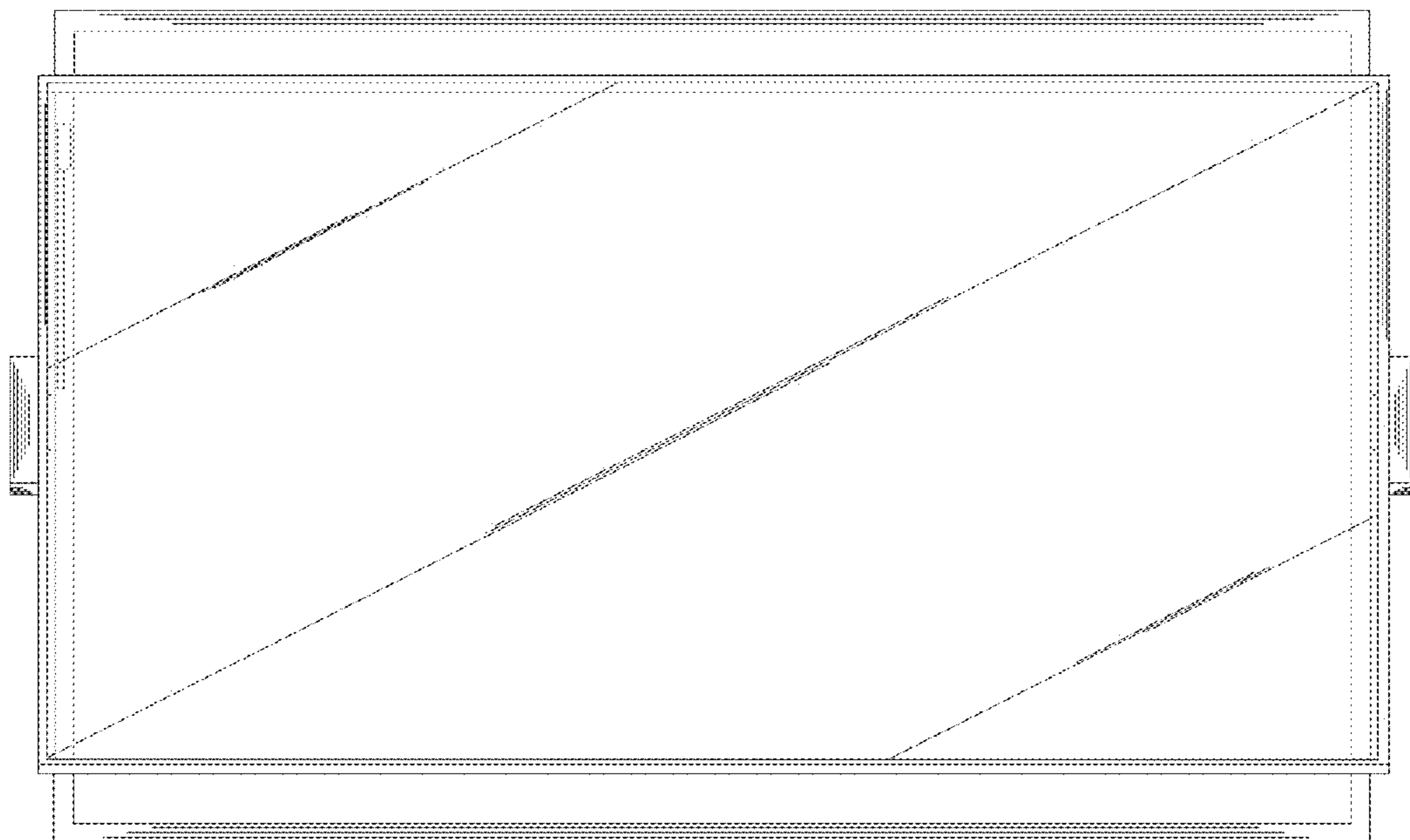


FIG. 12