



US00D728970S

(12) **United States Design Patent**
Gilroy

(10) **Patent No.:** **US D728,970 S**

(45) **Date of Patent:** **** May 12, 2015**

(54) **TRAVEL PILLOW**

(71) Applicant: **SkySiesta LLC**, Redmond, WA (US)

(72) Inventor: **Kalpana Gilroy**, Redmond, WA (US)

(73) Assignee: **SkySiesta LLC**, Redmond, WA (US)

(**) Term: **14 Years**

(21) Appl. No.: **29/489,088**

(22) Filed: **Apr. 25, 2014**

(51) **LOC (10) CL.** **06-09**

(52) **U.S. CL.**
USPC **D6/601**

(58) **Field of Classification Search**

CPC A47C 20/00; A47C 20/021; A47D 15/001;
A47D 15/008; A47G 9/00; A47G 9/10
USPC D6/595-601, 604, 606; 5/630, 632,
5/633, 636-645, 648, 652-655, 655.3,
5/655.7, 655.9; D24/183, 190; D30/118;
D21/803, 809

See application file for complete search history.

(56) **References Cited**

U.S. PATENT DOCUMENTS

4,274,673 A * 6/1981 Kifferstein 297/220
5,182,828 A * 2/1993 Alivizatos 5/631
5,359,739 A * 11/1994 Rains et al. 5/81.1 R
D370,956 S * 6/1996 Pery D21/809
D458,503 S * 6/2002 Norman D6/611
6,560,800 B1 * 5/2003 Draves 5/630
D485,724 S * 1/2004 Morikawa D6/601
D523,679 S 6/2006 Illingworth
7,086,101 B2 * 8/2006 Welch et al. 5/428

D528,707 S * 9/2006 Deioma D30/118
7,874,032 B2 * 1/2011 North et al. 5/632
D636,452 S * 4/2011 Majors D21/803
D652,239 S * 1/2012 Governale D6/601
2011/0016633 A1 * 1/2011 Eason 5/655.9

* cited by examiner

Primary Examiner — Mary Ann Calabrese

(74) *Attorney, Agent, or Firm* — Seed IP Law Group PLLC

(57) **CLAIM**

The ornamental design for a travel pillow, as shown and described.

DESCRIPTION

FIG. 1 is an isometric view of a travel pillow showing an embodiment of my new design.

FIG. 2 is a top plan view thereof.

FIG. 3 is a front elevational view thereof, which is the same as the rear elevational view.

FIG. 4 is a right side elevational view thereof, which is the same as the left side elevational view.

FIG. 5 is a bottom plan view thereof.

FIG. 6 is an isometric view of a travel pillow showing another embodiment of my new design having a relatively smaller size.

FIG. 7 is a top plan view thereof.

FIG. 8 is a front elevational view thereof, which is the same as the rear elevational view.

FIG. 9 is a right side elevational view thereof, which is the same as the left side elevational view; and,

FIG. 10 is a bottom plan view thereof.

The broken lines in the figures illustrate features that form no part of the claimed design.

1 Claim, 2 Drawing Sheets

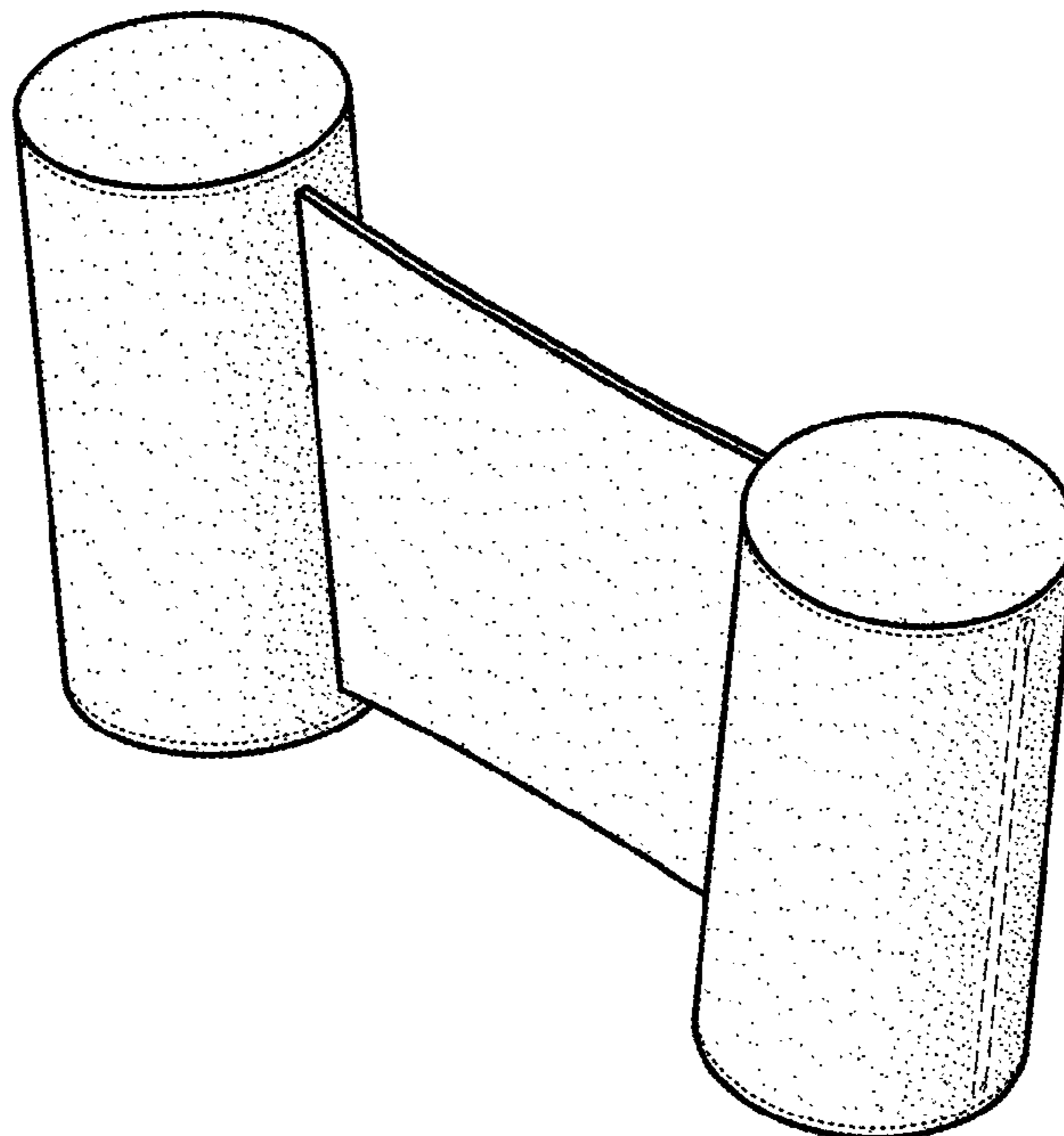


FIG. 1

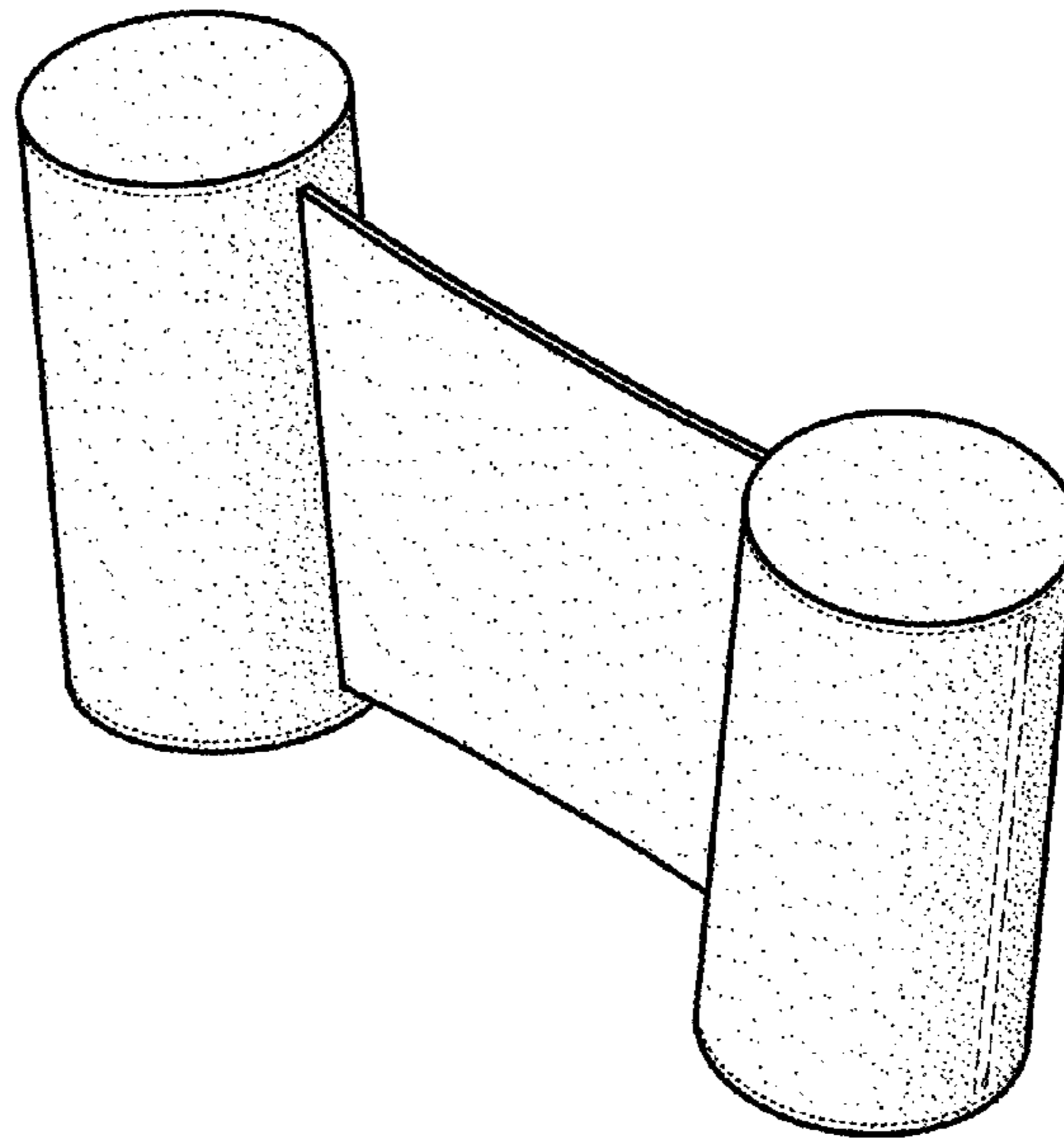


FIG. 2

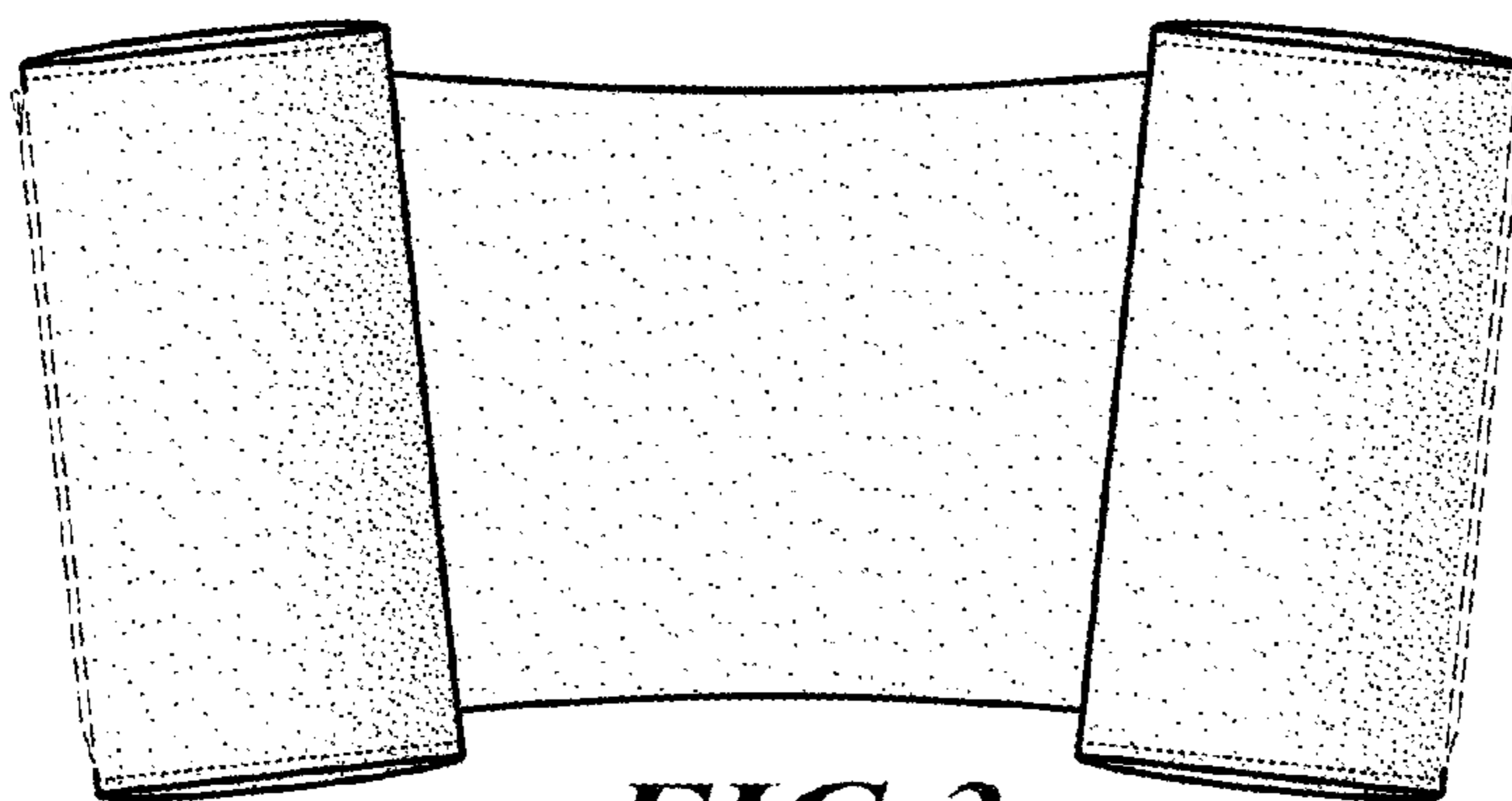


FIG. 3

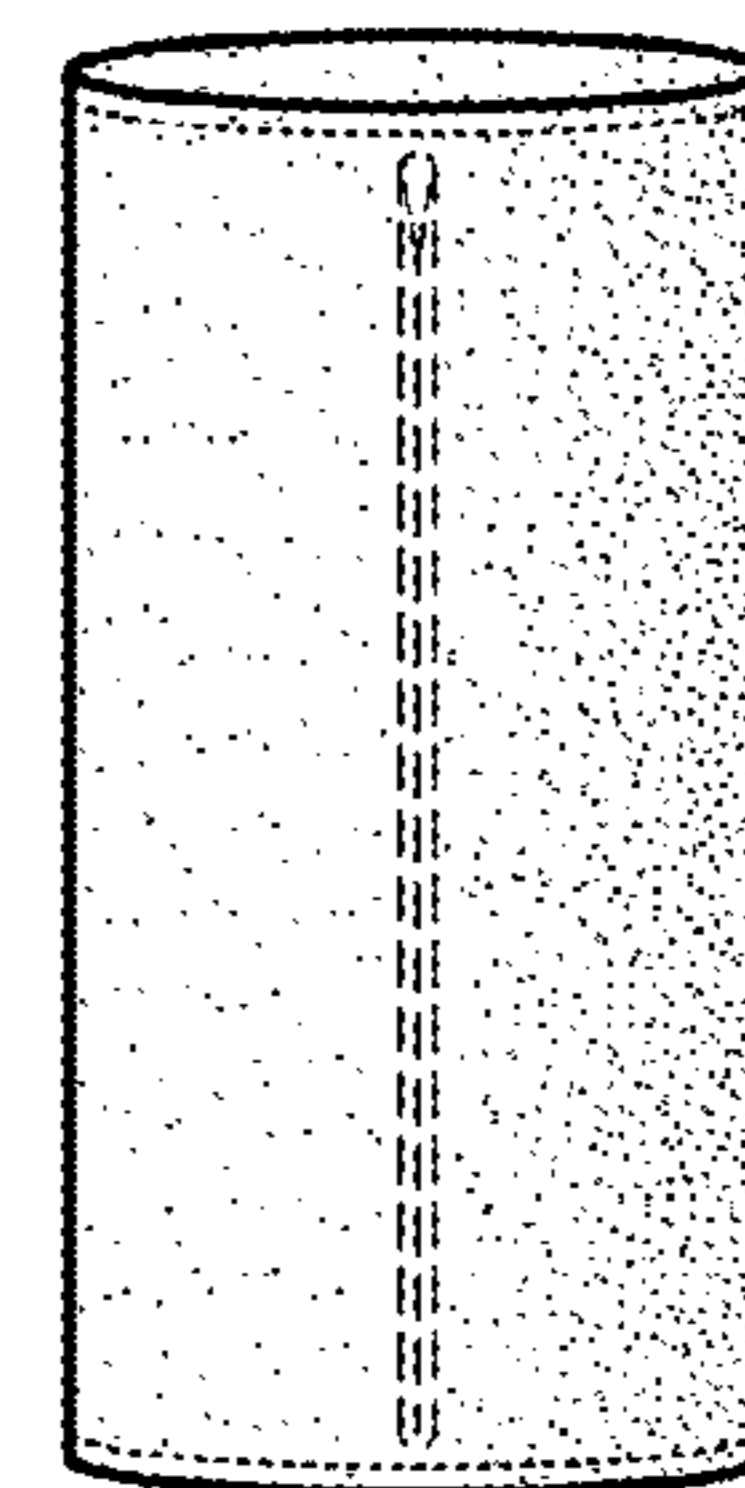


FIG. 4

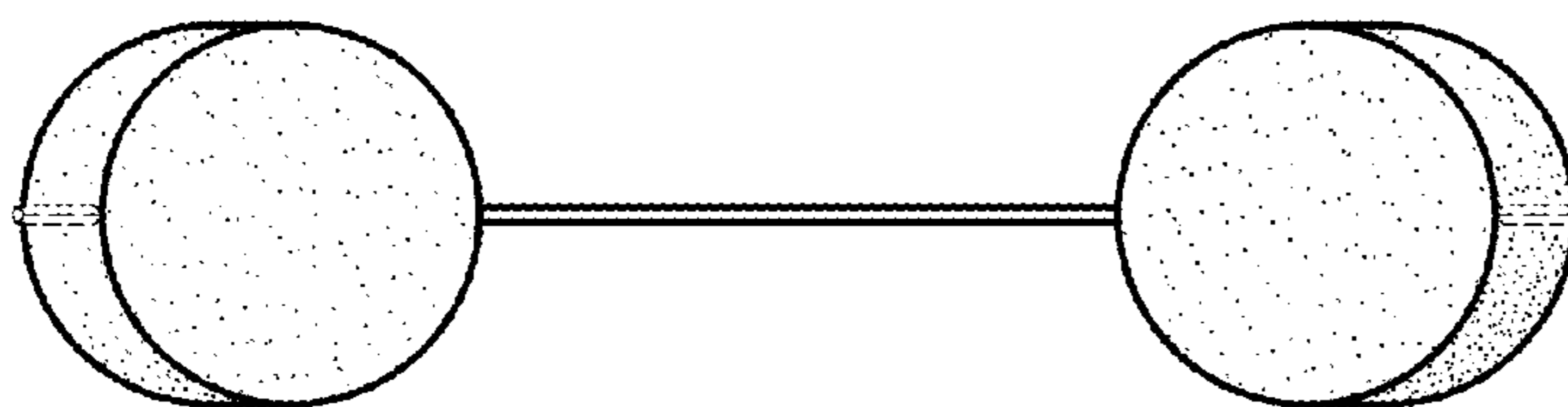


FIG. 5

FIG. 6

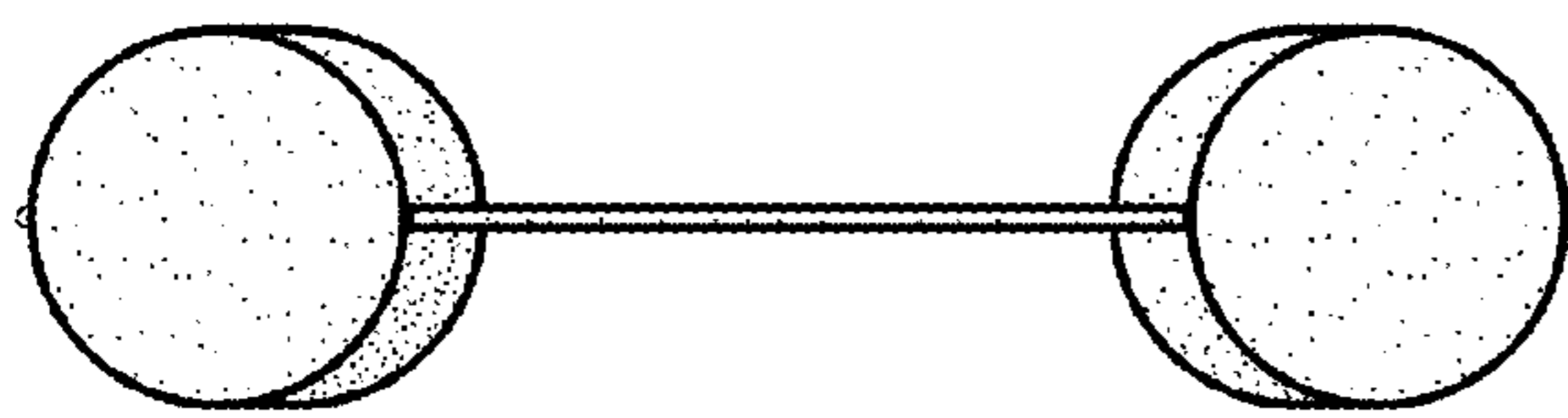
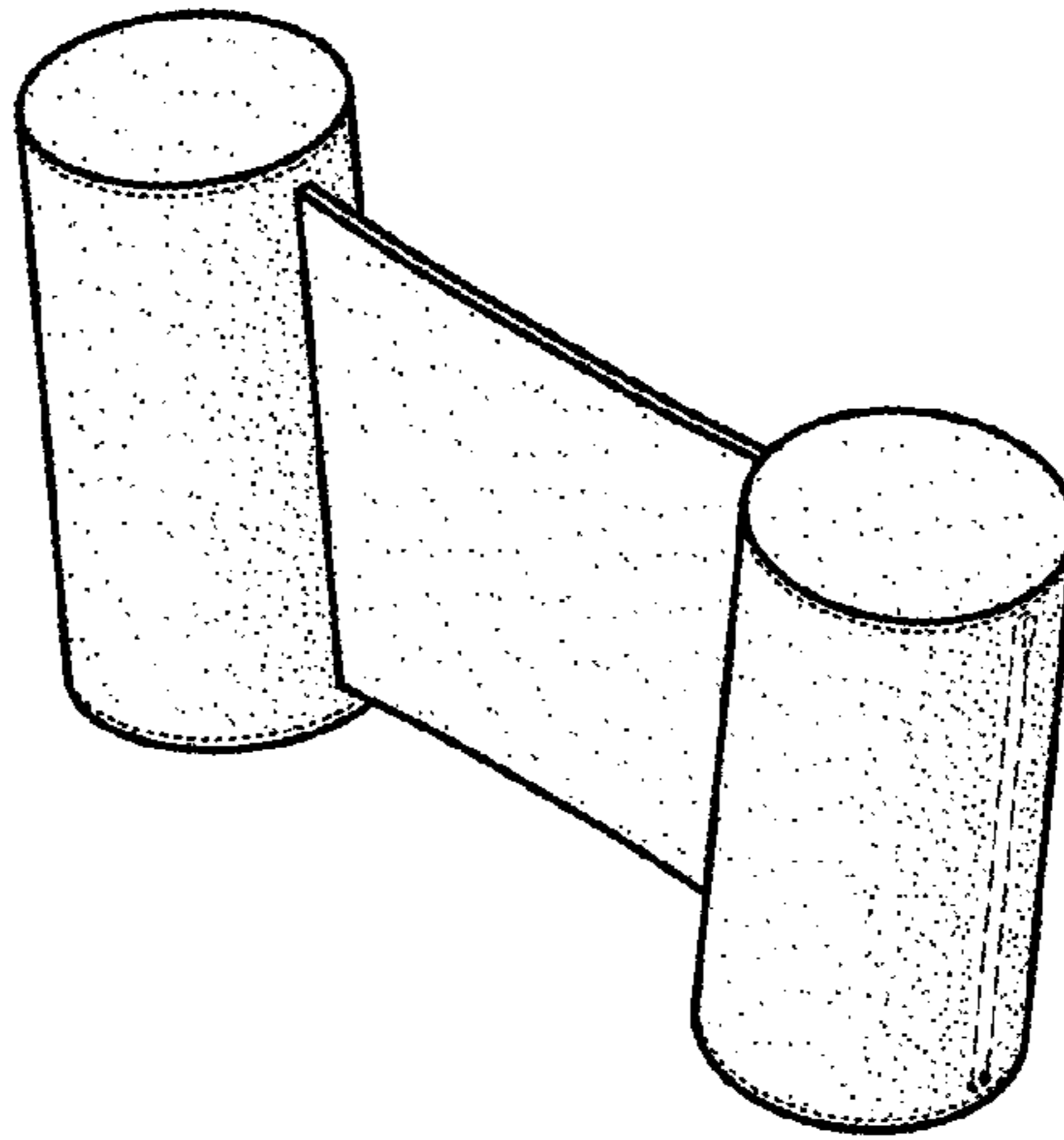


FIG. 7

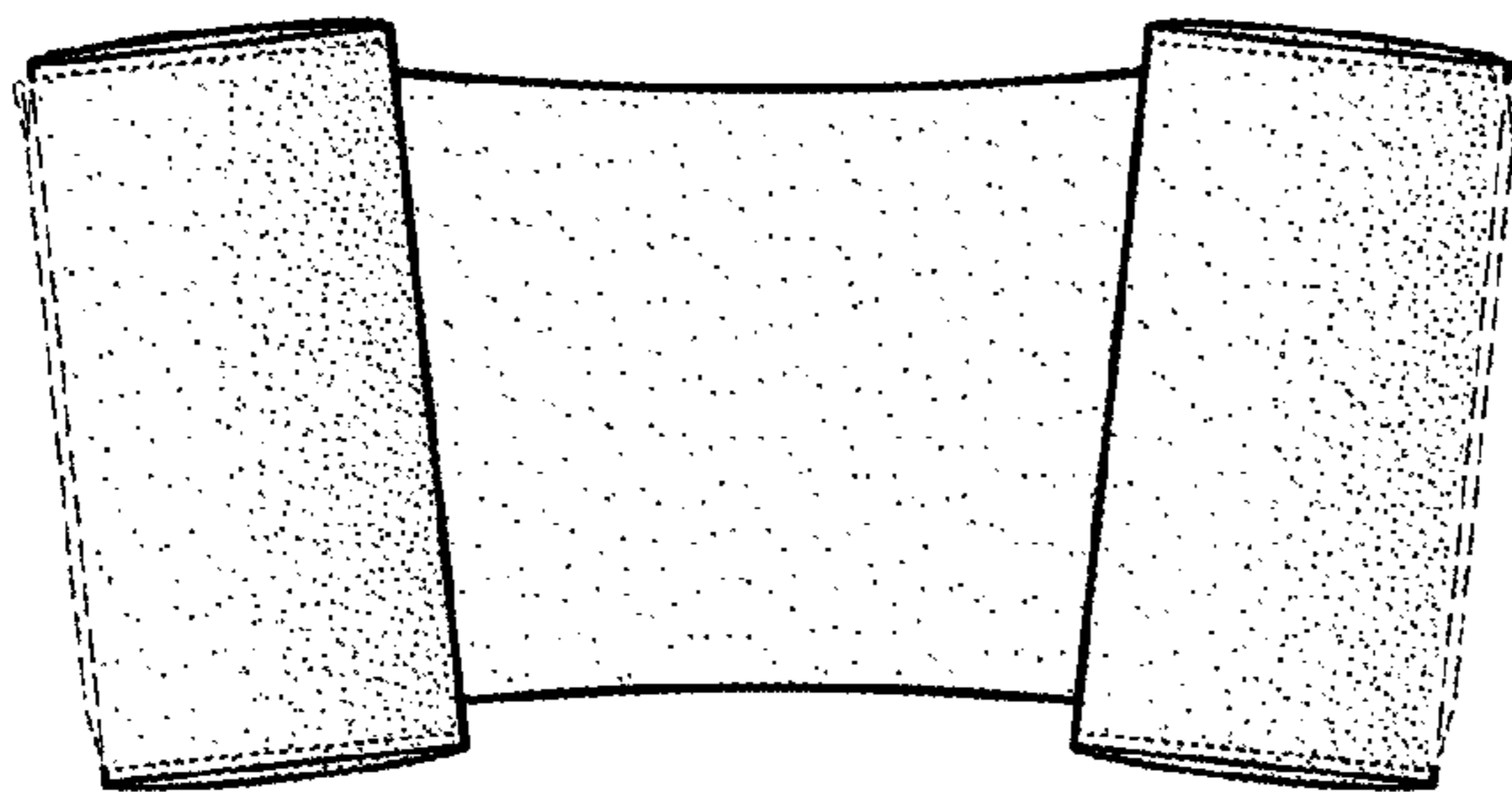


FIG. 8

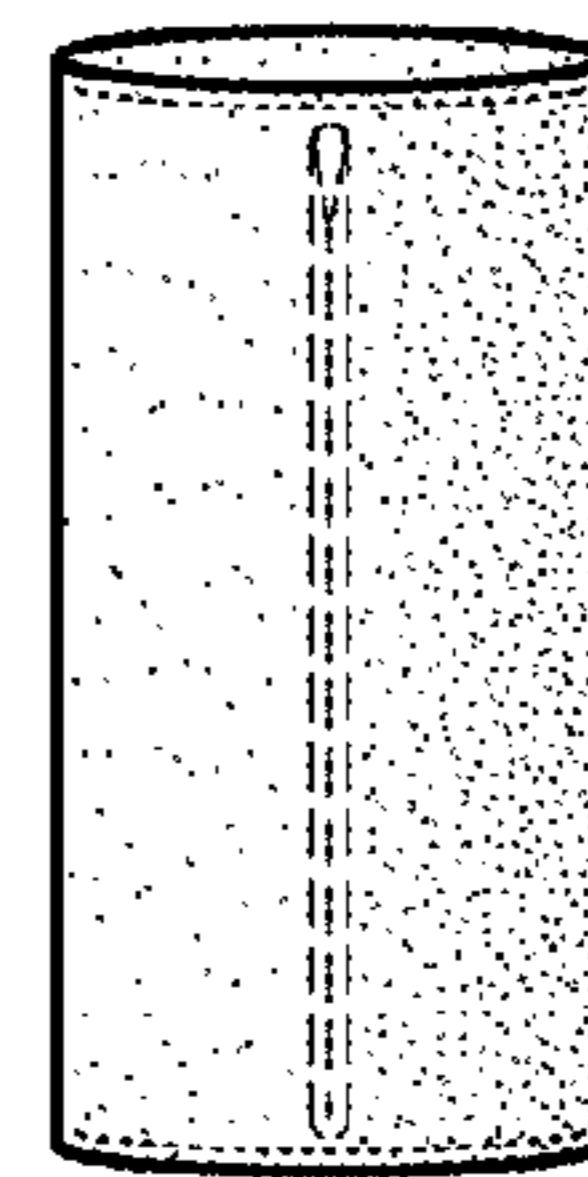


FIG. 9

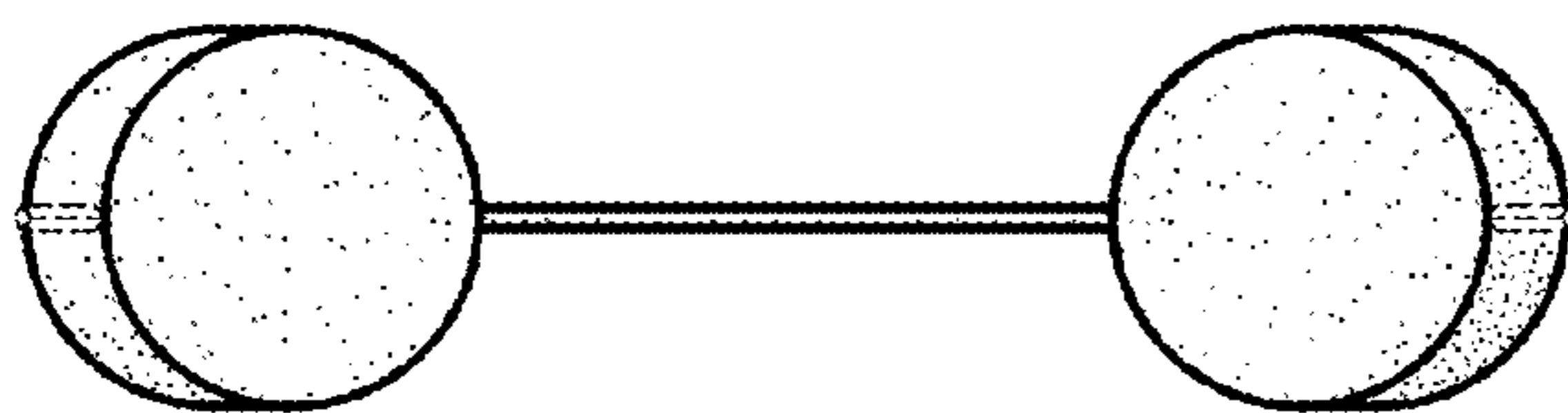


FIG. 10