



US00D728961S

(12) **United States Design Patent**  
**Marois**

(10) **Patent No.:** **US D728,961 S**

(45) **Date of Patent:** **\*\* May 12, 2015**

(54) **POT RACK**

(71) Applicant: **John Edward Marois**, New Milford, CT  
(US)

(72) Inventor: **John Edward Marois**, New Milford, CT  
(US)

(\*\*) Term: **14 Years**

(21) Appl. No.: **29/478,647**

(22) Filed: **Jan. 7, 2014**

(51) **LOC (10) Cl.** ..... **06-06**

(52) **U.S. Cl.**  
USPC ..... **D6/513**

(58) **Field of Classification Search**  
USPC ..... D8/372, 373, 370; 206/202, 513, 557;  
211/13.1, 41.3, 41.4, 86.01, 88.01,  
211/134, 126.1, 181.1; 248/302; 220/485,  
220/488; D6/513-514, 566

See application file for complete search history.

(56) **References Cited**

U.S. PATENT DOCUMENTS

D305,587 S *	1/1990	Possemato .....	D6/513
D388,641 S *	1/1998	Reeves .....	D6/513
D392,133 S *	3/1998	Chen .....	D6/513
D406,972 S *	3/1999	McCoy .....	D6/513
D464,871 S *	10/2002	Kalat .....	D8/372

\* cited by examiner

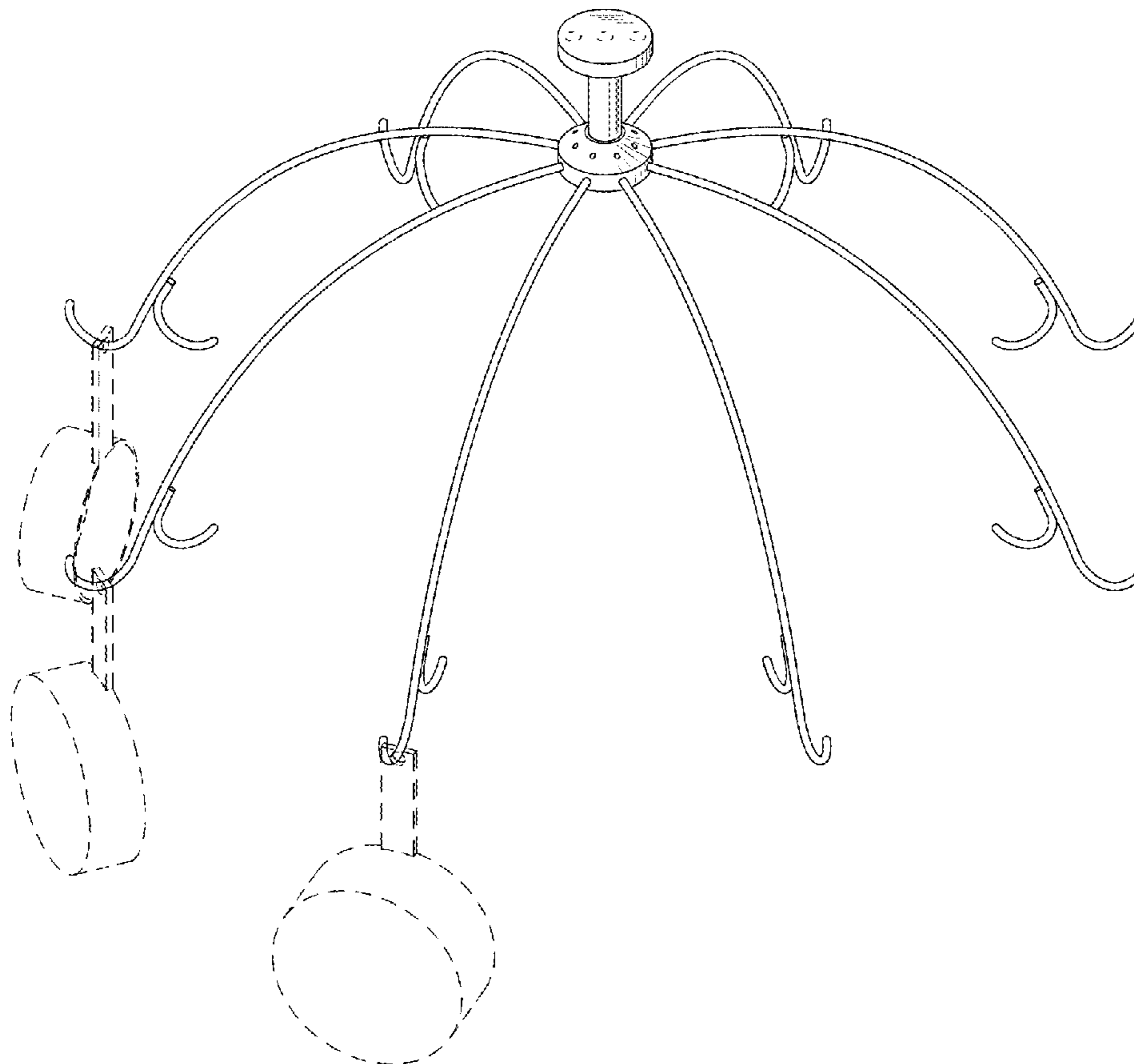
*Primary Examiner* — Brian N Vinson

(57) **CLAIM**  
The ornamental design for a pot rack, as shown and described.

**DESCRIPTION**

FIG. 1 is a perspective front view of a pot rack, shown hanging a plurality of pots;  
FIG. 2 is a front elevation view of the pot rack, rear elevation view is a mirror image thereof;  
FIG. 3 is a right elevation view of the pot rack, left elevation view is a mirror image thereof;  
FIG. 4 is a top elevation view of the pot rack; and,  
FIG. 5 is a bottom elevation view of the pot rack.  
The pots are shown in broken lines for illustrative purposes only and form no part of the claimed design.

**1 Claim, 4 Drawing Sheets**



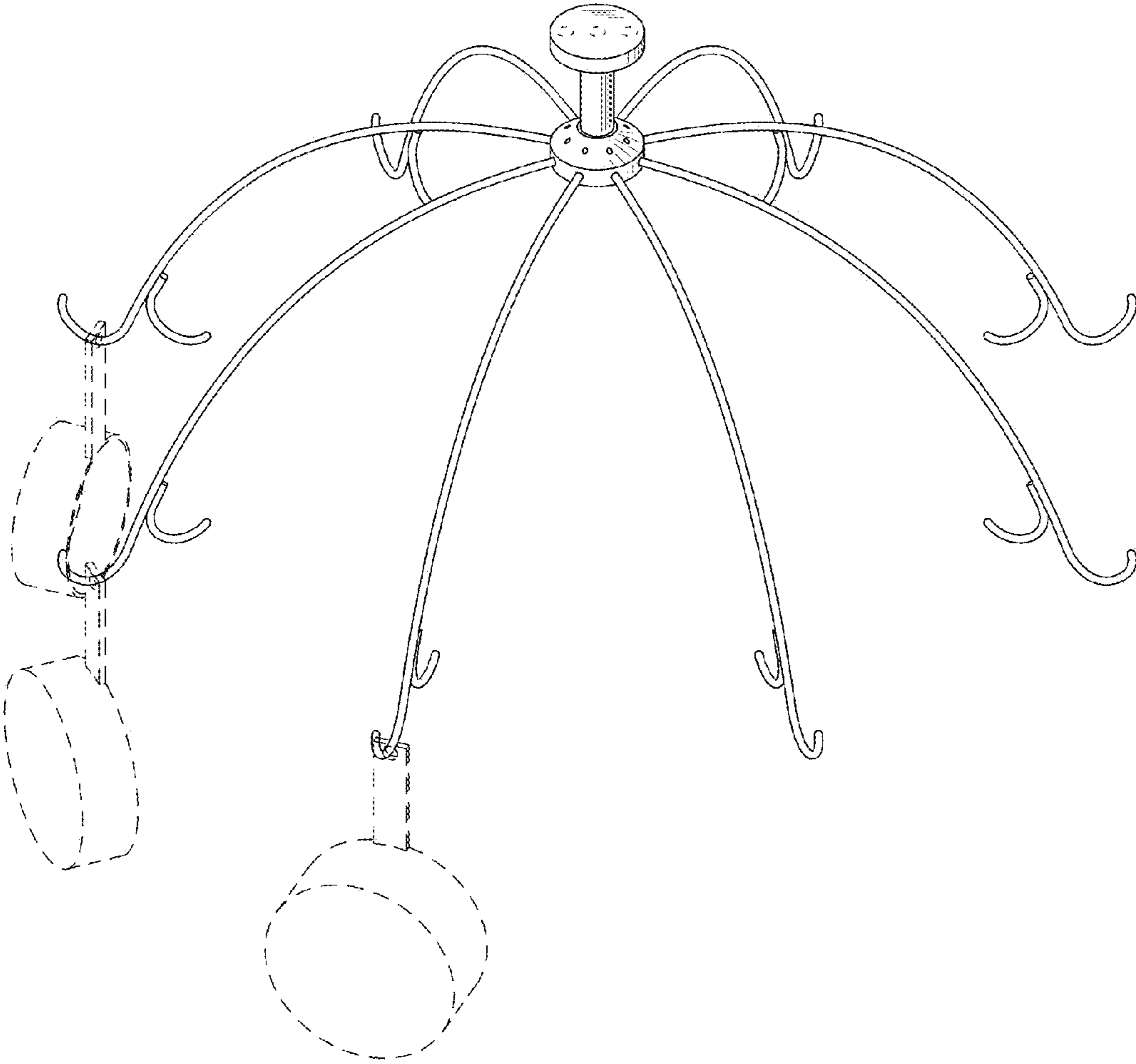


FIG. 1

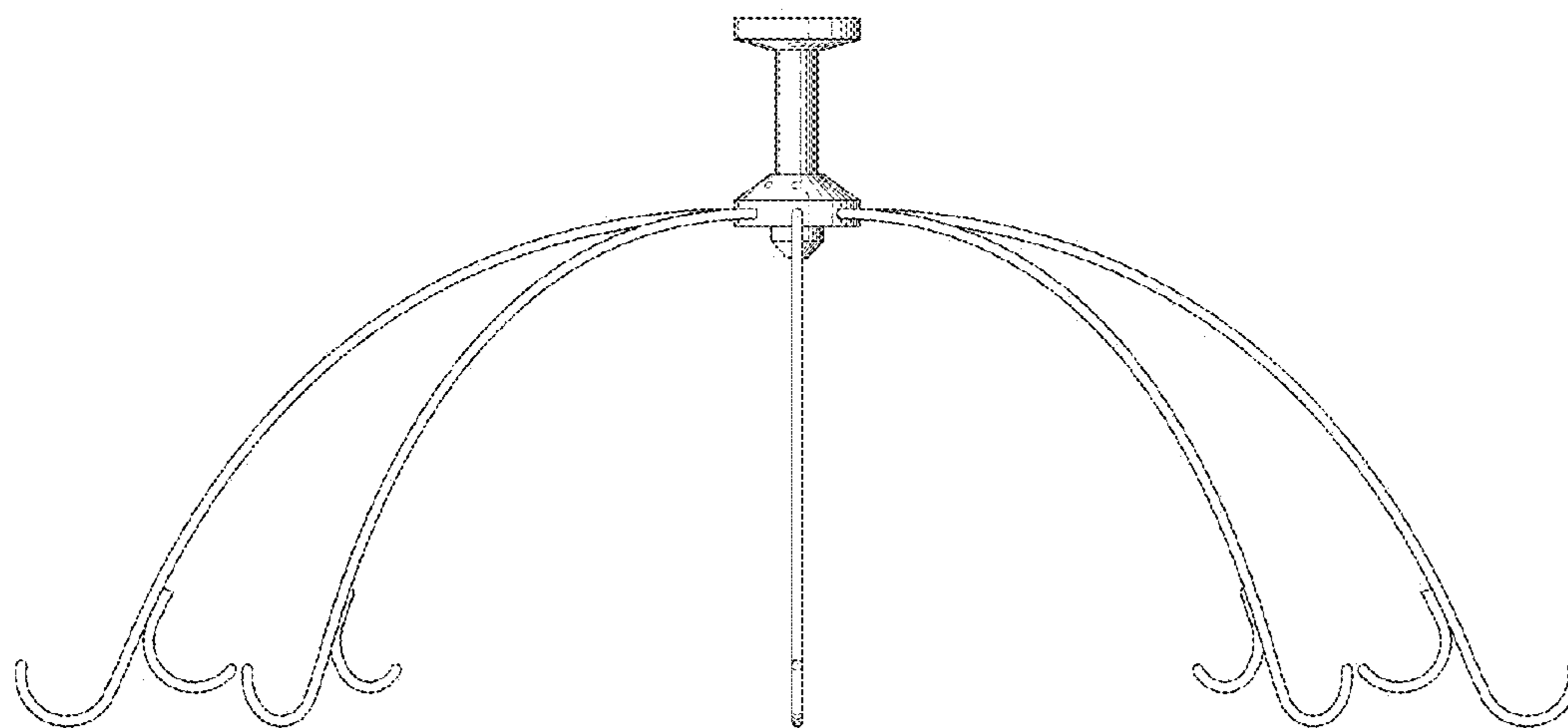


FIG. 2

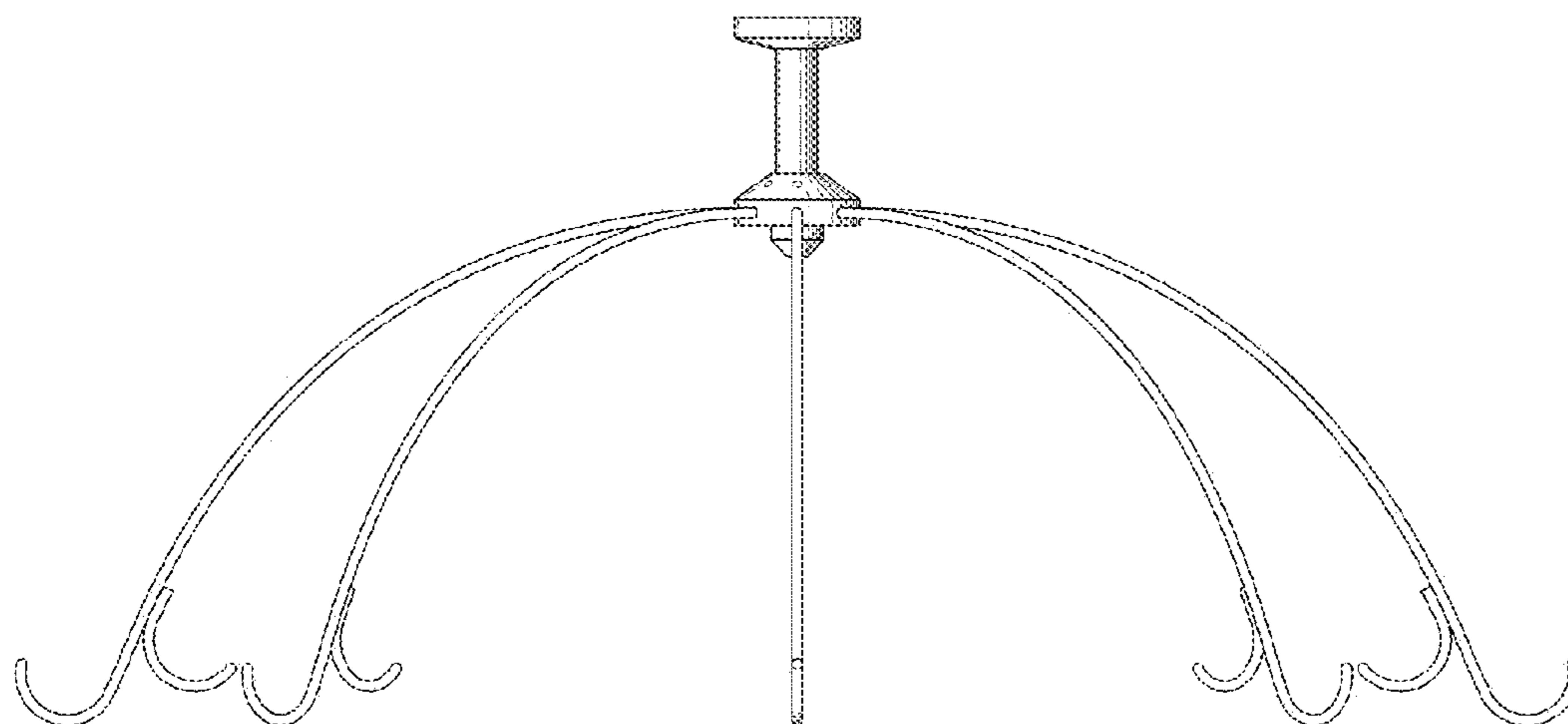


FIG. 3

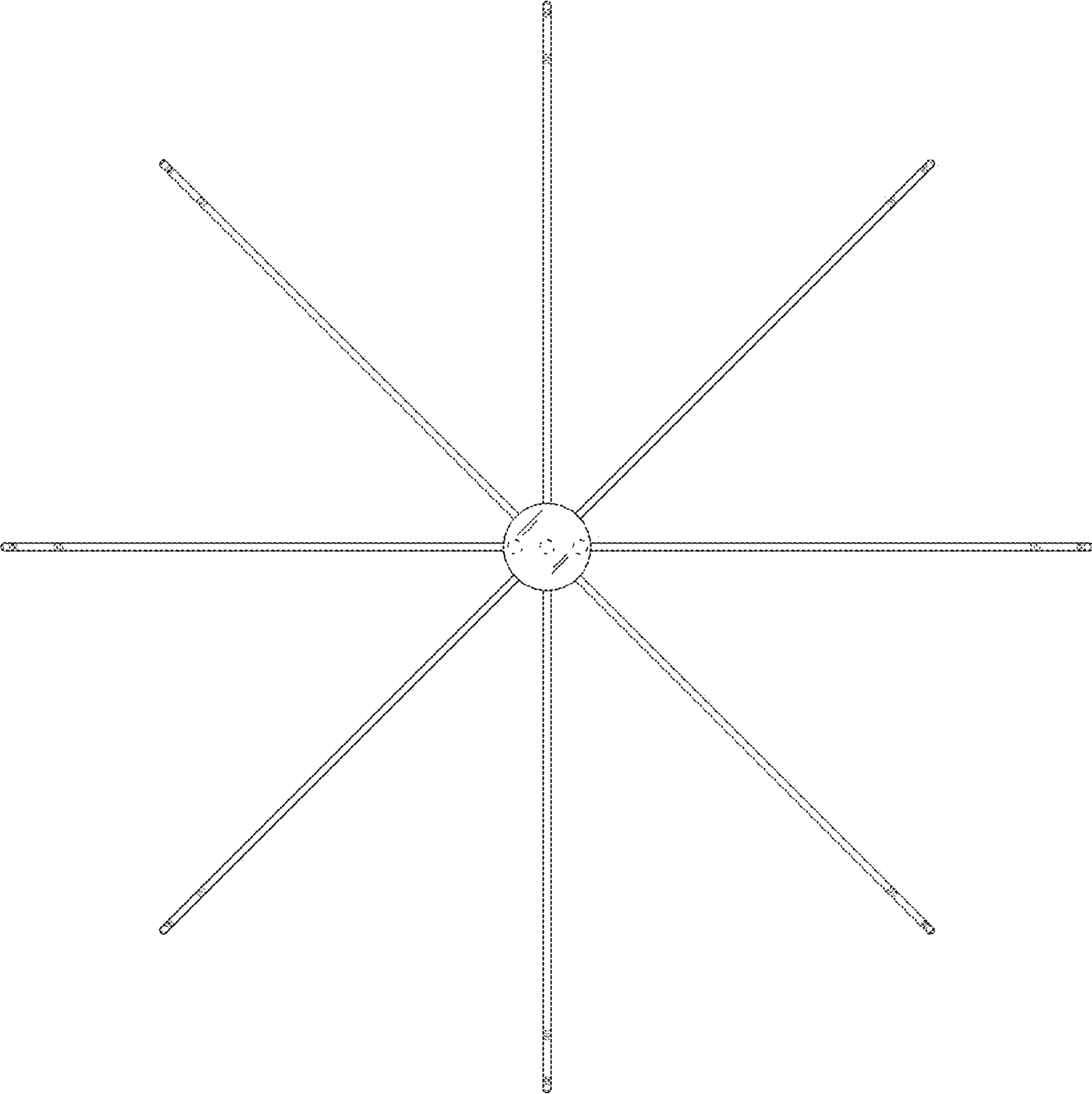


FIG. 4

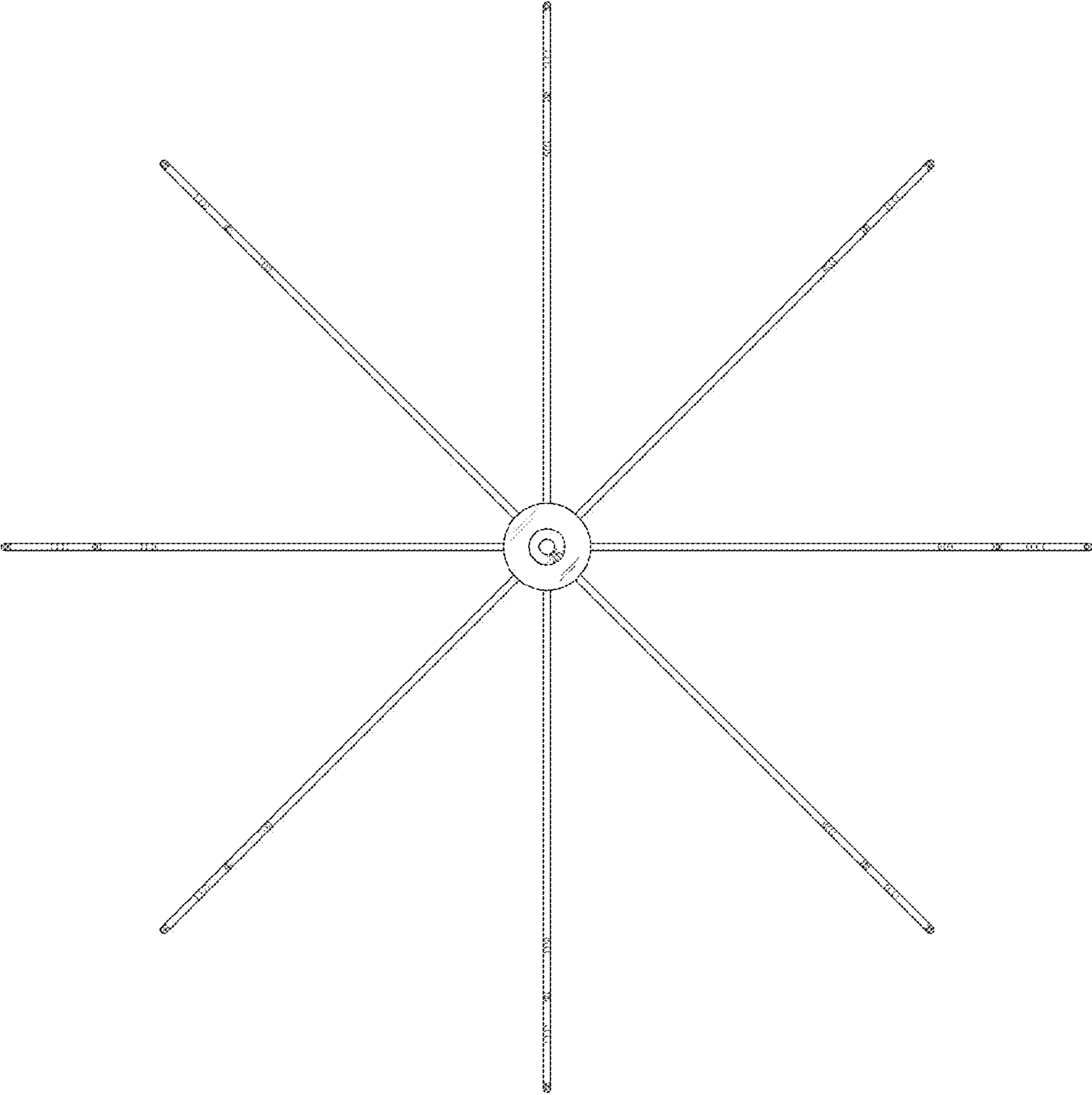


FIG. 5