



US00D728957S

(12) **United States Design Patent**
Lievore et al.

(10) **Patent No.:** **US D728,957 S**
(45) **Date of Patent:** **** May 12, 2015**

(54) **CHAIR**

(71) Applicant: **Steelcase Inc.**, Grand Rapids, MI (US)

(72) Inventors: **Alberto Lievore**, Barcelona (ES);
Jeannette Altherr, Sant Cugat del Vallés (ES);
Manel Molina, Barcelona (ES);
Victor Carrasco Berlanga, Valencia (ES);
John Hamilton, San Rafael, CA (US)

(73) Assignee: **Steelcase Inc.**, Grand Rapids, MI (US)

(**) Term: **14 Years**

(21) Appl. No.: **29/492,763**

(22) Filed: **Jun. 3, 2014**

(51) **LOC (10) Cl.** **06-01**

(52) **U.S. Cl.**
USPC **D6/373**

(58) **Field of Classification Search**
CPC A47C 3/04; A47C 4/03; A47C 4/02;
A47C 5/04

USPC D6/334-336, 371, 373, 374, 375, 376,
D6/379, 380, 716, 716.1, 716.4; 297/239,
297/445.1, 446.1, 448.1, 448.2

See application file for complete search history.

(56) **References Cited**

U.S. PATENT DOCUMENTS

D166,397 S	4/1952	Komai	
3,275,371 A *	9/1966	Rowland	A47C 3/04
3,365,233 A *	1/1968	Uyeda et al.	A47C 3/04
3,695,693 A	10/1972	Acton et al.	
3,697,130 A *	10/1972	Barecki et al.	A47C 3/04
D227,956 S *	7/1973	Sundberg et al.	D6/373
D244,978 S	7/1977	Polsky et al.	
4,062,590 A	12/1977	Polsky et al.	

D246,813 S *	1/1978	Tolleson	D6/373
D262,677 S	1/1982	Rowland	
D269,831 S *	7/1983	Crone	D6/373
D282,417 S	2/1986	Murry	
D295,585 S	5/1988	Mulhauser	
D300,484 S	4/1989	Vignelli et al.	
D333,044 S *	2/1993	Caruso	D6/373
D336,723 S	6/1993	Asbjornsen et al.	
D357,592 S	4/1995	Kellen	
D378,553 S *	3/1997	Newhouse	D6/373
D390,026 S	2/1998	Biecher	
5,746,479 A	5/1998	Bodnar	
D395,557 S	6/1998	Smith	
D414,618 S *	10/1999	Holbrook	D6/373
D417,794 S	12/1999	Schmidt Bandelow	
D422,424 S	4/2000	Gehry et al.	
D423,805 S *	5/2000	Olson	D6/373
D426,969 S *	6/2000	Lange	D6/373

(Continued)

OTHER PUBLICATIONS

Enea Lottus Product Guide. Downloaded from www.coalesse.com/files/documents/resources/Enea_Lottus_Brochure.pdf, on May 30, 2014. p. 11.

Primary Examiner — Mimosa De

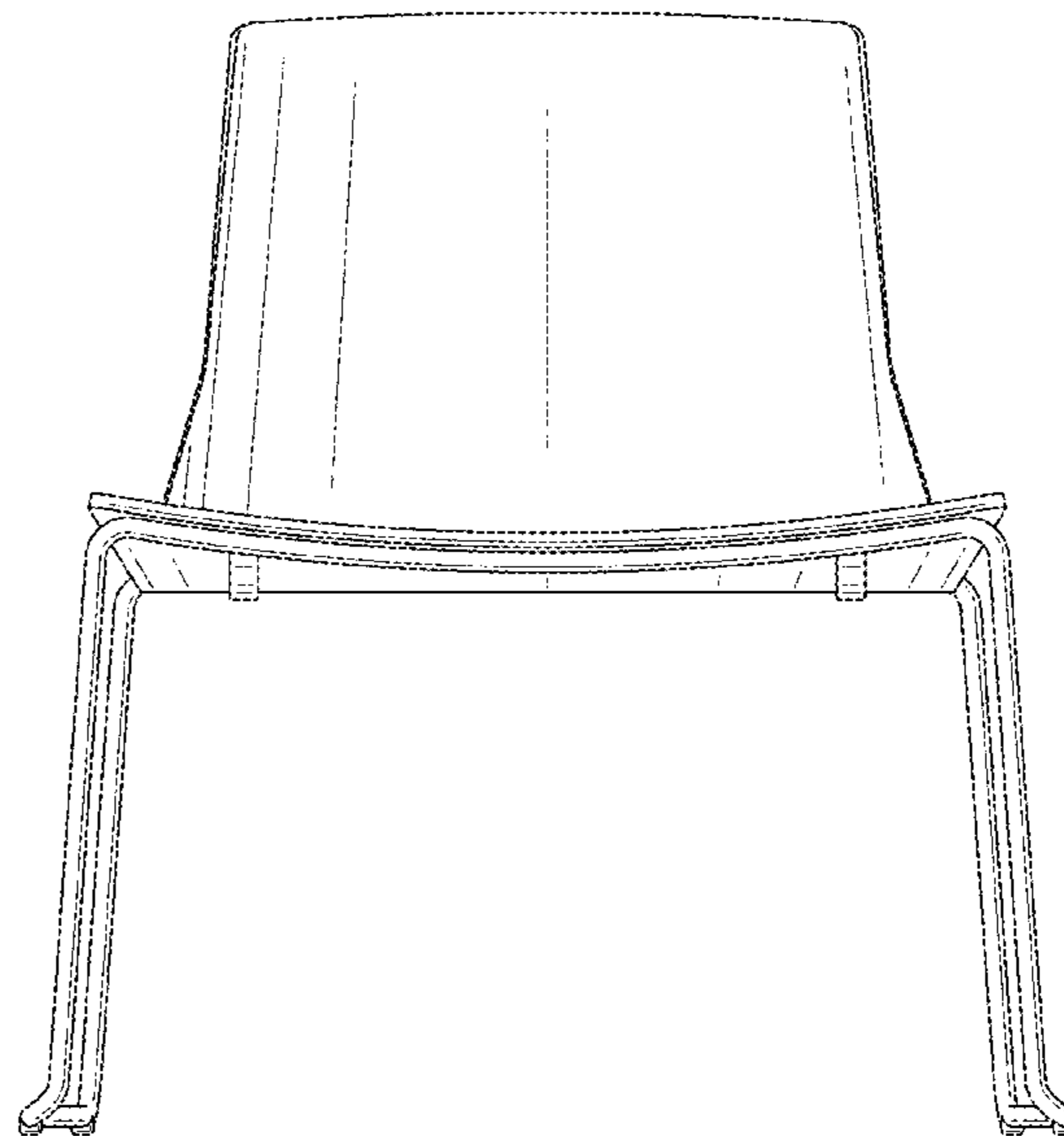
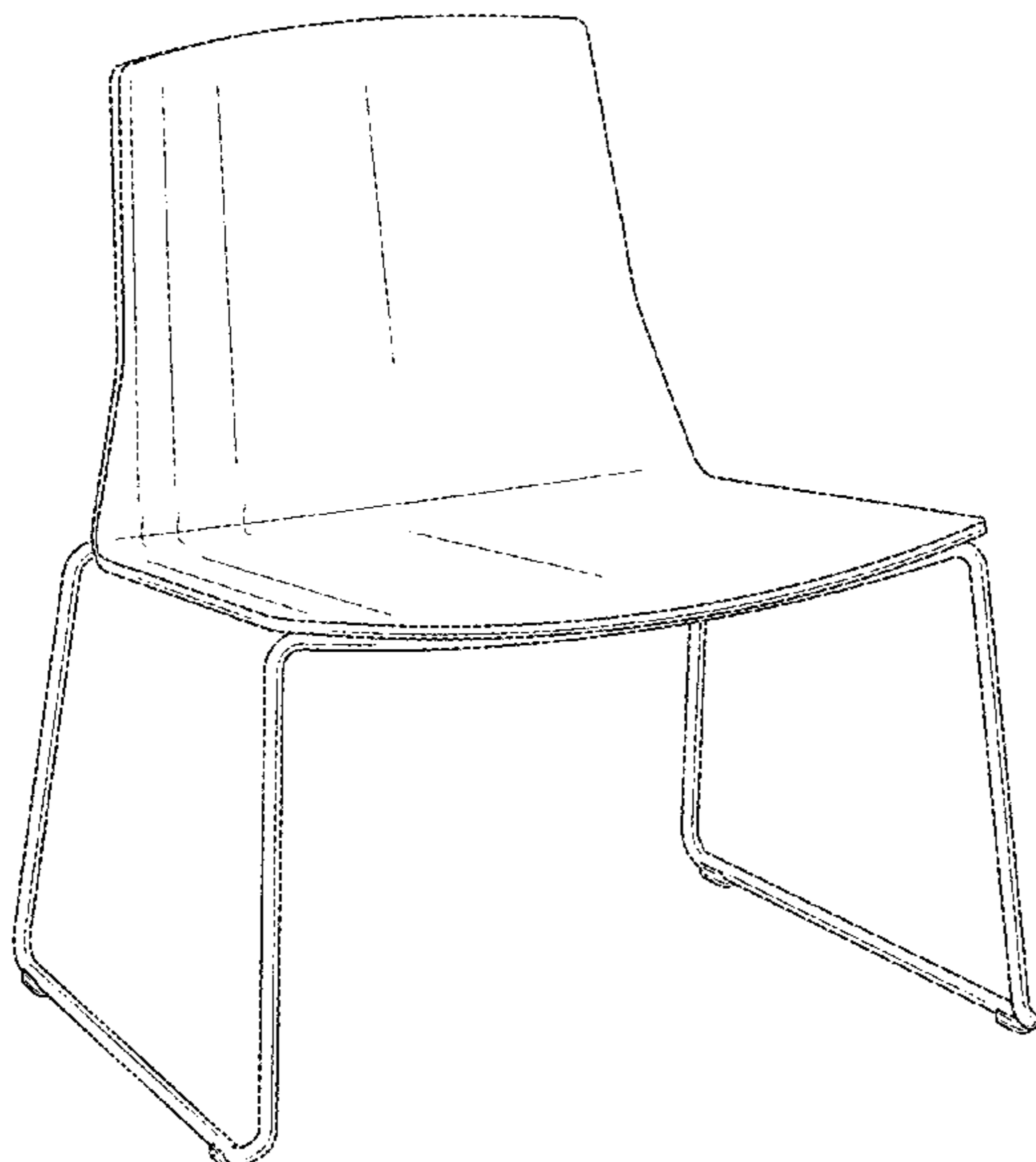
(57) **CLAIM**

We claim the ornamental design for a chair, as shown and described.

DESCRIPTION

FIG. 1 is a front perspective view of a chair;
FIG. 2 is a front view of a chair of FIG. 1;
FIG. 3 is a rear view of a chair of FIG. 1;
FIG. 4 is a right side view of a chair of FIG. 1, the left side is a mirror image of the right side view of FIG. 4;
FIG. 5 is a top view of a chair of FIG. 1; and,
FIG. 6 is a bottom view of a chair of FIG. 1.

1 Claim, 6 Drawing Sheets



(56)

References Cited

U.S. PATENT DOCUMENTS

D426,972 S	6/2000	Bellini	D586,137 S	2/2009	Massaud
D426,973 S	6/2000	Risdall	D592,870 S	5/2009	Olano Jauregui
D437,139 S	2/2001	Beck	D592,873 S	5/2009	Olano Jauregui
D446,036 S	8/2001	Zemp	D596,865 S	7/2009	Bergmann et al.
D447,643 S	9/2001	Zemp	D600,035 S	9/2009	Olano Jauregui
D465,100 S	11/2002	Savini	D611,263 S	3/2010	Werner
D472,066 S	3/2003	Ciabatti	D638,231 S	5/2011	Lievore et al.
D498,937 S	11/2004	Messier et al.	D645,271 S	9/2011	Olano Jauregui
6,957,860 B1 *	10/2005	Leist et al. A47C 3/04	D648,558 S	11/2011	Lievore et al.
D518,304 S	4/2006	Crescenti	D648,562 S	11/2011	Lievore et al.
D528,813 S	9/2006	Sienkowski et al.	D652,657 S	1/2012	Behar et al.
D562,019 S	2/2008	Lievore	D653,061 S	1/2012	Behar et al.
D564,248 S	3/2008	Molina et al.	D655,099 S	3/2012	Werner
D564,770 S	3/2008	Molina et al.	D655,527 S	3/2012	Pillet
D564,772 S	3/2008	Molina et al.	D656,754 S	4/2012	Starck
D565,318 S	4/2008	Molina et al.	D657,151 S	4/2012	Lievore et al.
D571,117 S	6/2008	Molina et al.	D657,166 S	4/2012	Behar et al.
D573,363 S	7/2008	Pillet	D657,581 S	4/2012	Lievore et al.
D573,806 S	7/2008	Pillet	D657,968 S	4/2012	Thorfinnson et al.
D581,686 S	12/2008	Miller et al.	D666,015 S	8/2012	Morrison
D584,521 S	1/2009	Massaud	D666,428 S	9/2012	Morrison
D585,207 S	1/2009	Bauchet	D669,699 S	10/2012	Stierli
D585,657 S	2/2009	Massaud	D669,700 S	10/2012	Buratti et al.
			D684,782 S	6/2013	Adams
			D697,736 S	1/2014	Schweikarth et al.

* cited by examiner

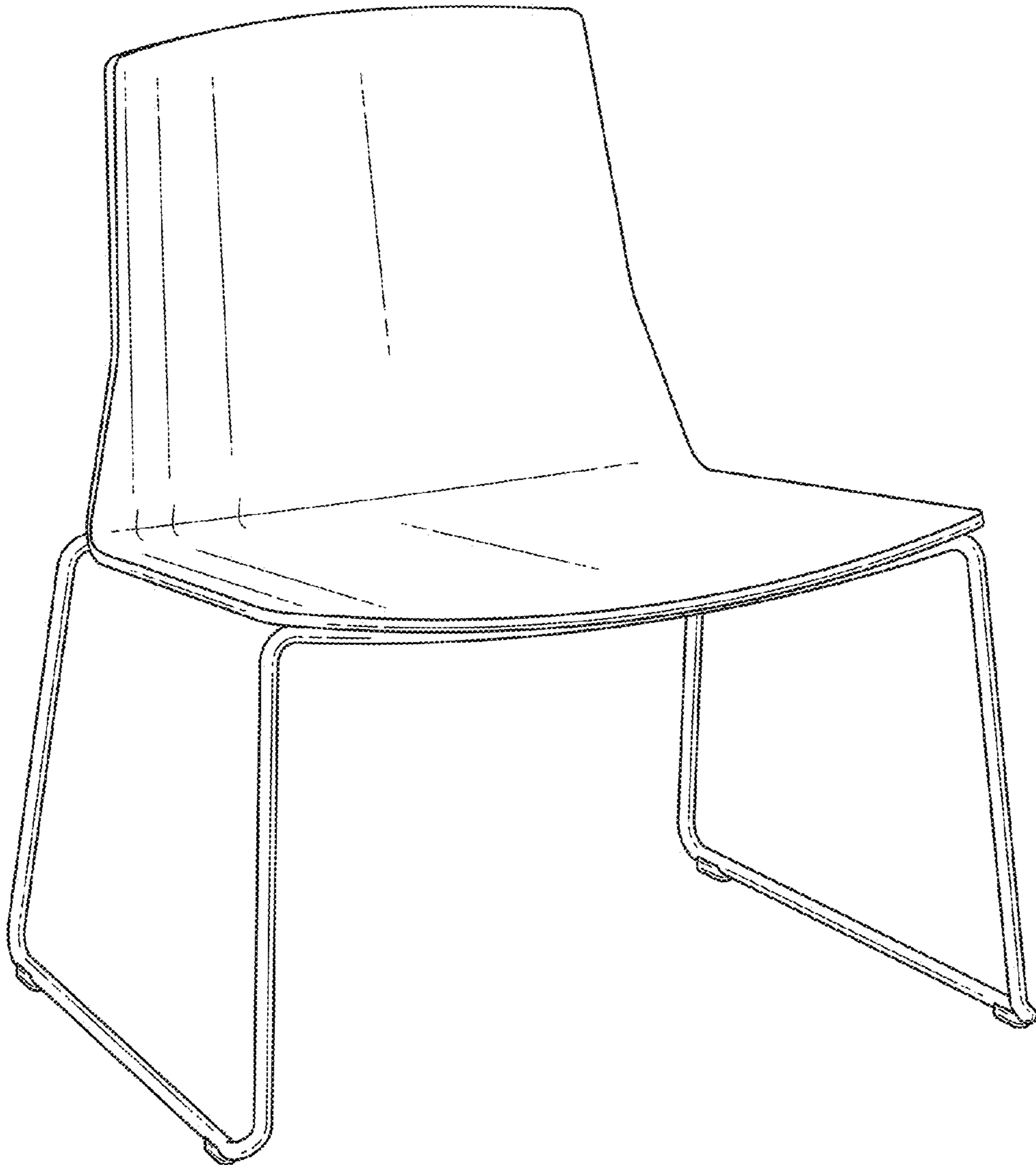


FIG. 1

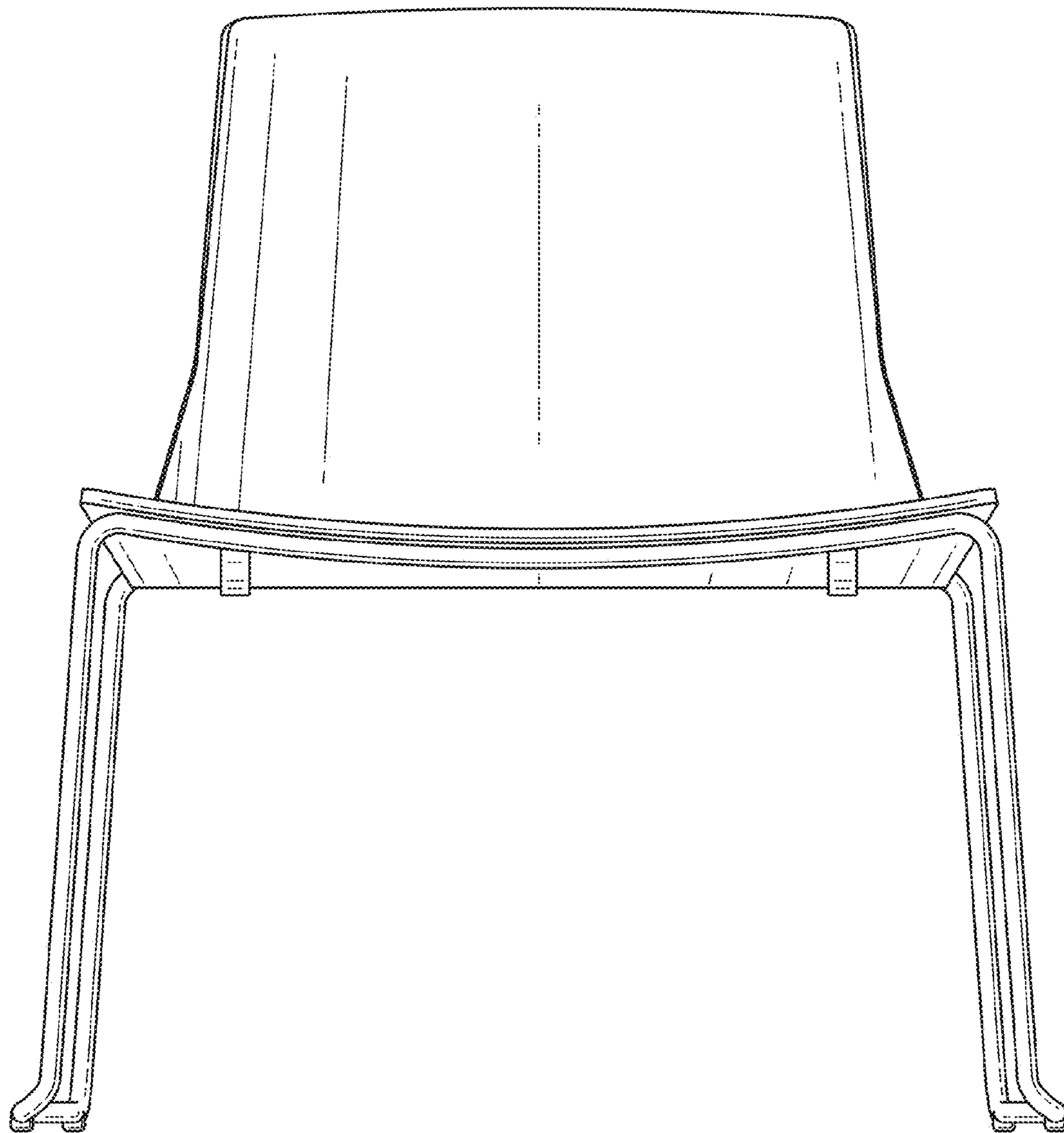


FIG. 2

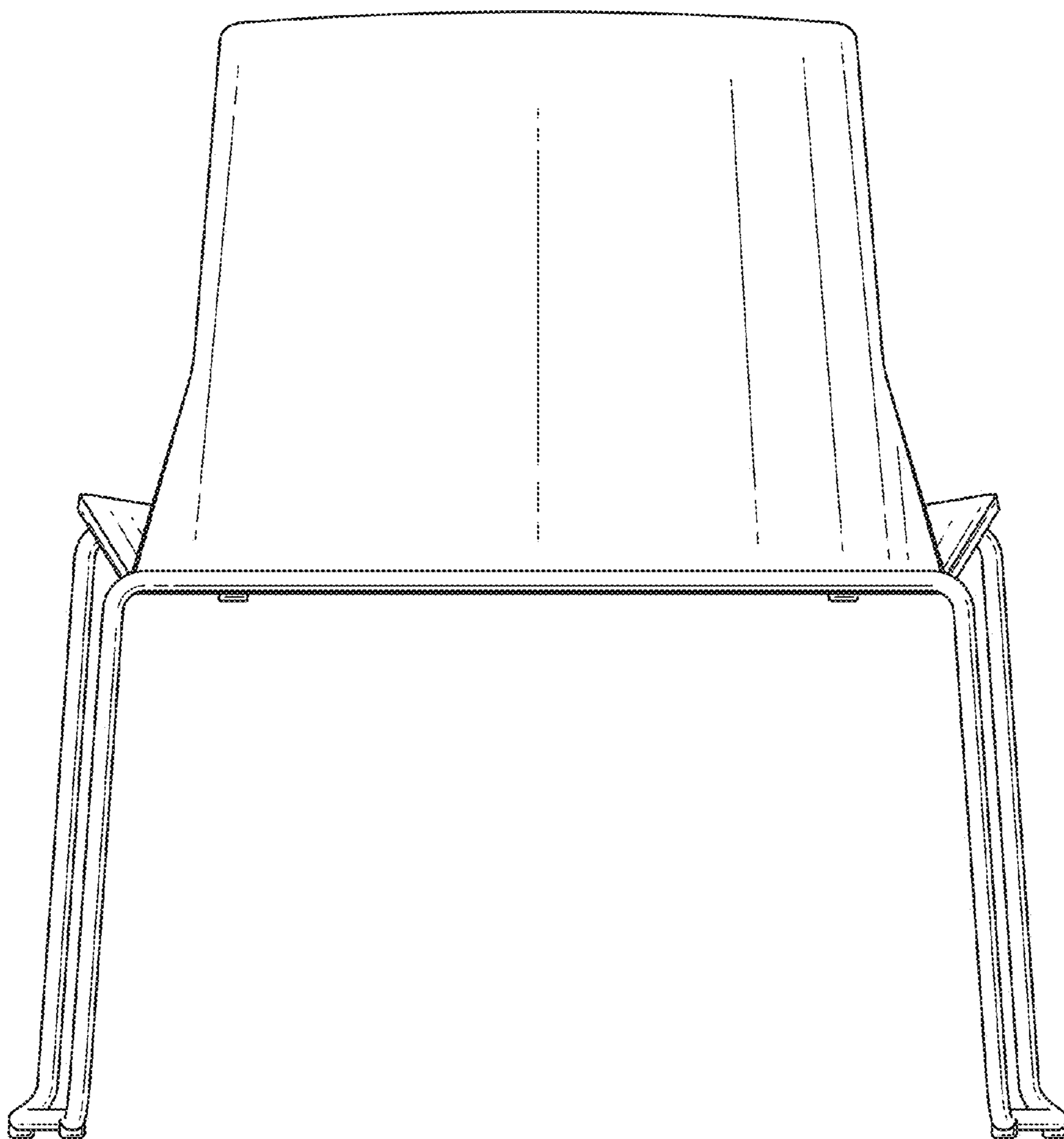


FIG. 3

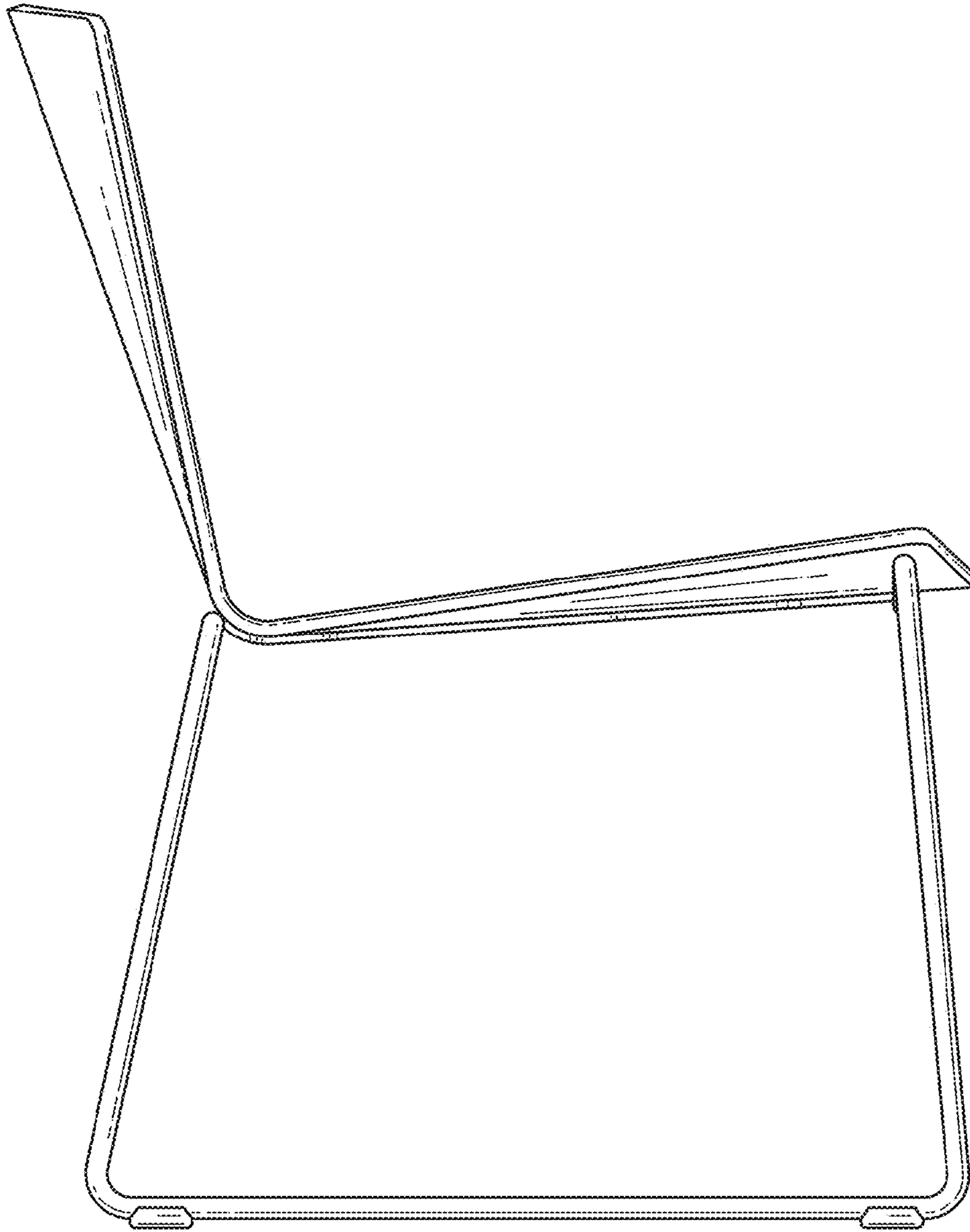


FIG. 4

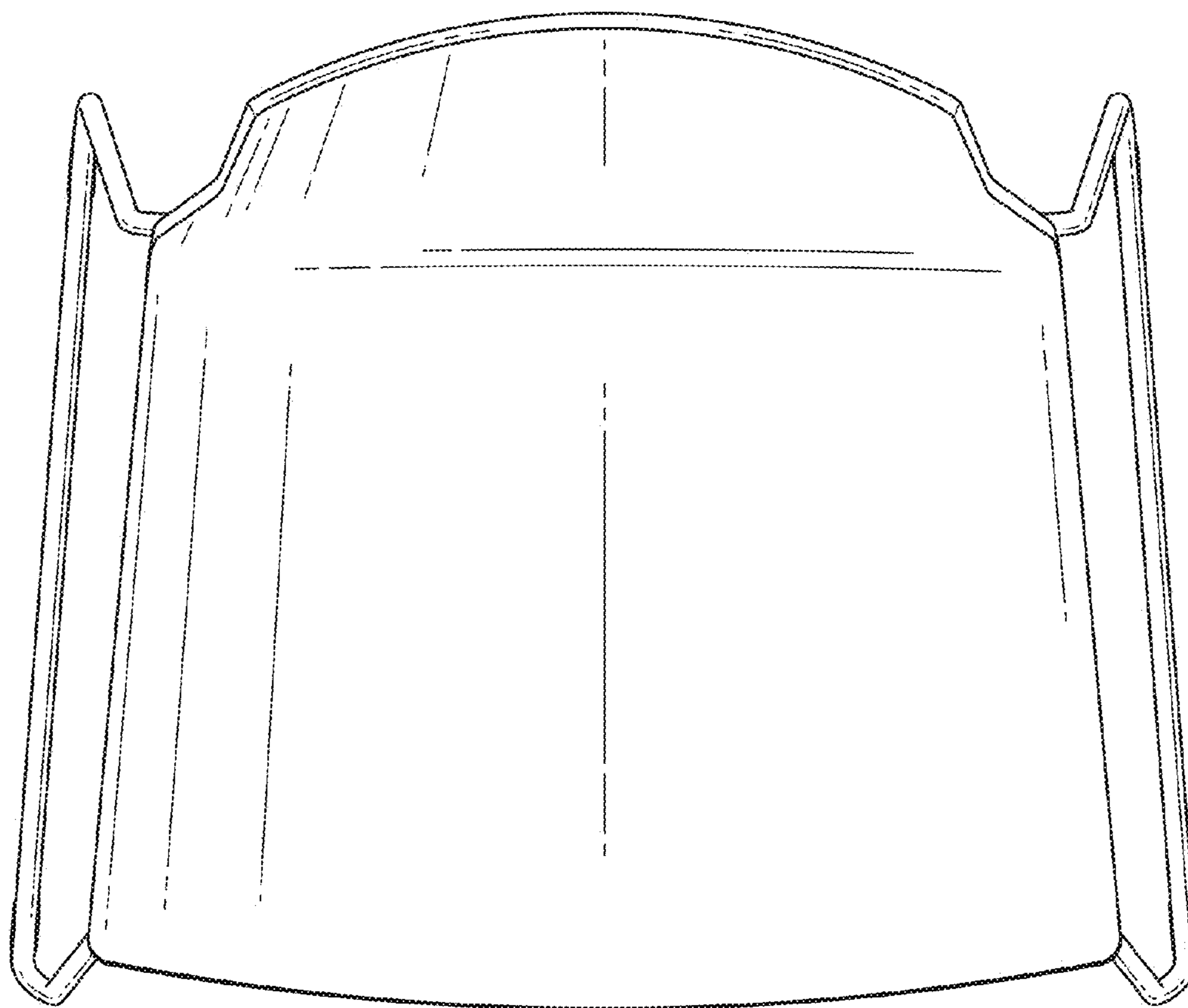


FIG. 5

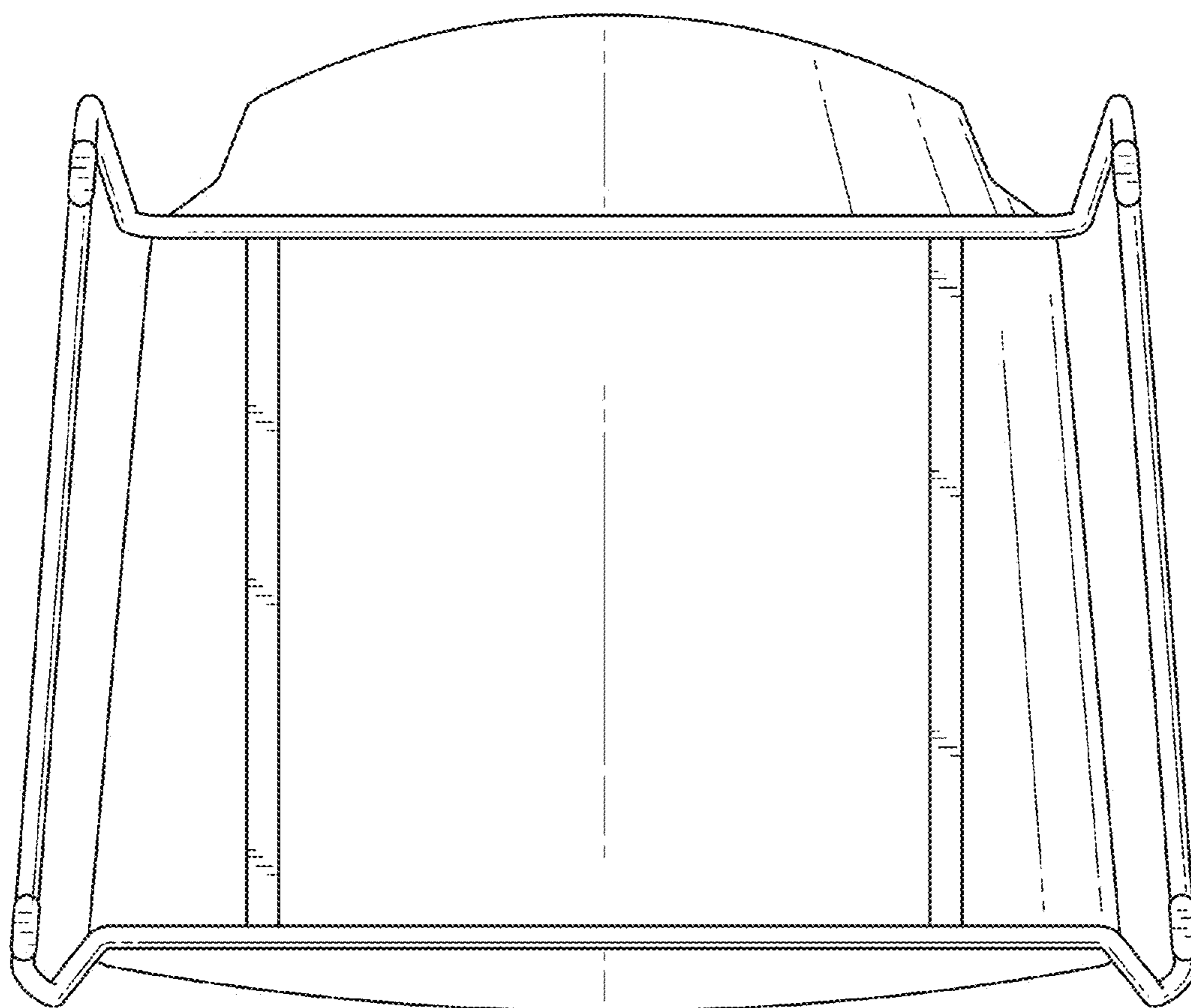


FIG. 6