



US00D728956S

(12) **United States Design Patent**  
**Lange et al.**

(10) **Patent No.:** **US D728,956 S**  
(45) **Date of Patent:** **\*\* May 12, 2015**

(54) **CHAIR**

(71) Applicant: **Gus Design Group Inc.**, Toronto (CA)

(72) Inventors: **Joran Van Lange**, Toronto (CA); **David Podsiadlo**, Toronto (CA)

(73) Assignee: **Gus Design Group Inc.**, Toronto (CA)

(\*\*) Term: **14 Years**

(21) Appl. No.: **29/484,561**

(22) Filed: **Mar. 11, 2014**

(30) **Foreign Application Priority Data**

Nov. 13, 2013 (CA) ..... 153839

(51) **LOC (10) Cl.** ..... **06-01**

(52) **U.S. Cl.**  
USPC ..... **D6/373**

(58) **Field of Classification Search**  
CPC ..... A47C 4/02; A47C 4/03; A47C 4/028;  
A47C 5/04; A47C 7/021; A47C 7/18  
USPC ..... D6/334-336, 371, 372, 373, 374, 375,  
D6/716, 716.1, 716.4

See application file for complete search history.

(56) **References Cited**

U.S. PATENT DOCUMENTS

D109,425 S *	4/1938	Salomon	.....	D6/373
D227,957 S *	7/1973	Winrow	.....	D6/373
D252,060 S *	6/1979	Prevost	.....	D6/334
D260,706 S *	9/1981	Zapf	.....	D6/373
D510,486 S *	10/2005	Karl	.....	D6/375
D604,956 S *	12/2009	Blomstrom et al.	.....	D6/373

\* cited by examiner

*Primary Examiner* — Mimoso De

(74) *Attorney, Agent, or Firm* — Carter, DeLuca, Farrell & Schmidt, LLP

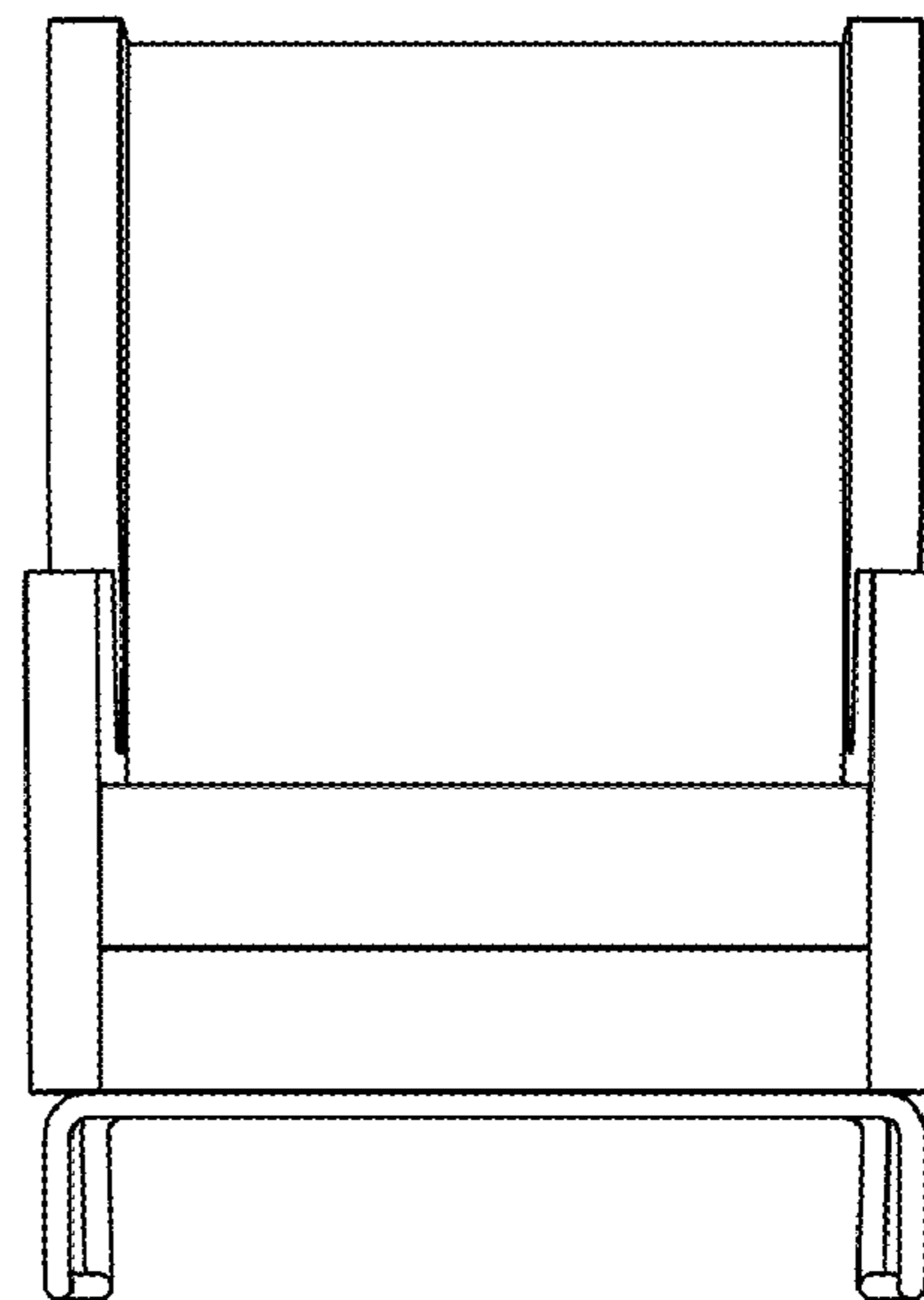
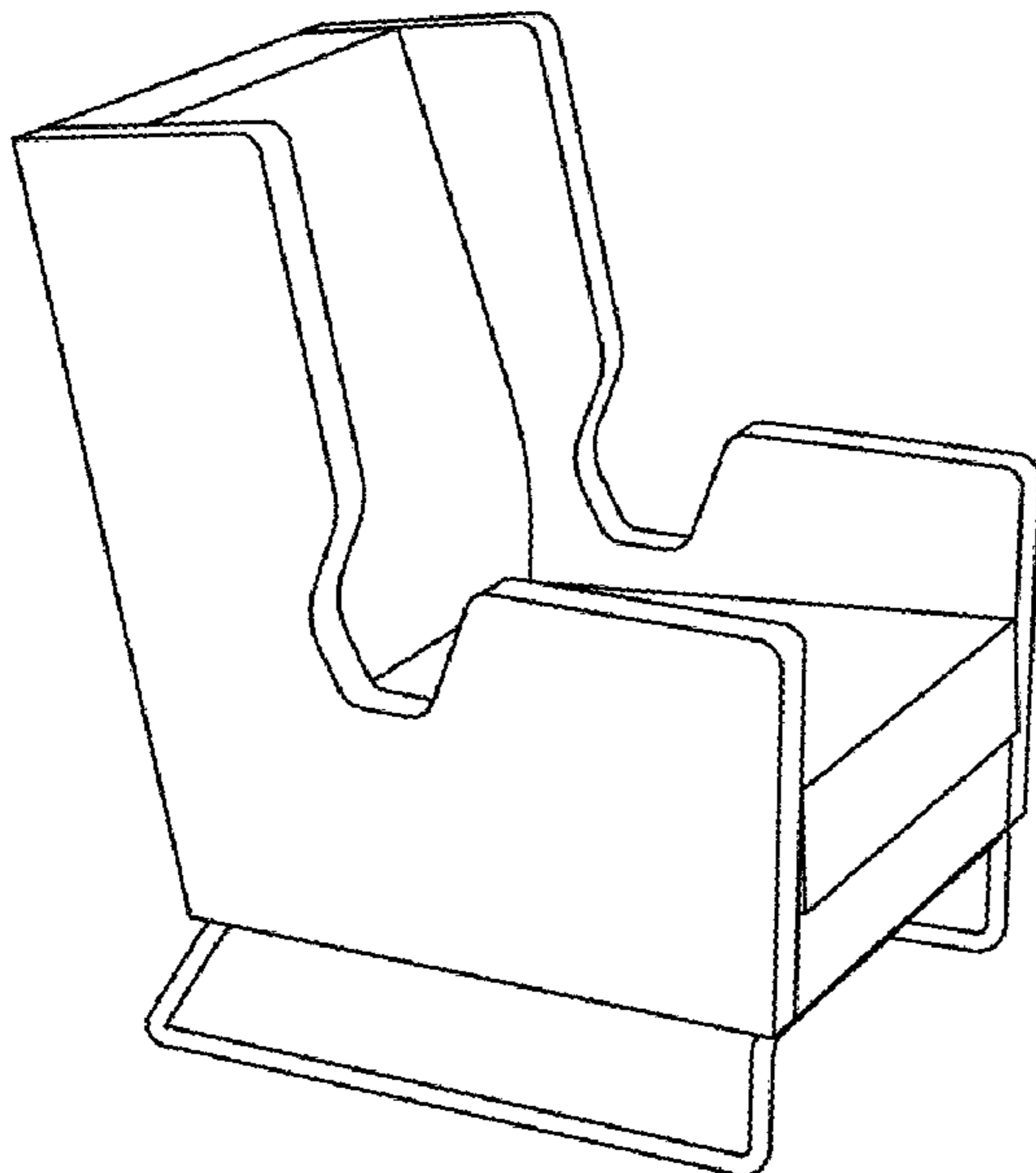
(57) **CLAIM**

The ornamental design for a chair, as shown and described.

**DESCRIPTION**

FIG. 1 is a perspective view of a chair in accordance with the present design;  
FIG. 2 is a right side elevational view thereof, the left side elevational view being a mirror image thereof;  
FIG. 3 is a front elevational view thereof;  
FIG. 4 is a rear elevational view thereof;  
FIG. 5 is a top plan view thereof; and,  
FIG. 6 is a bottom plan view thereof.

**1 Claim, 3 Drawing Sheets**



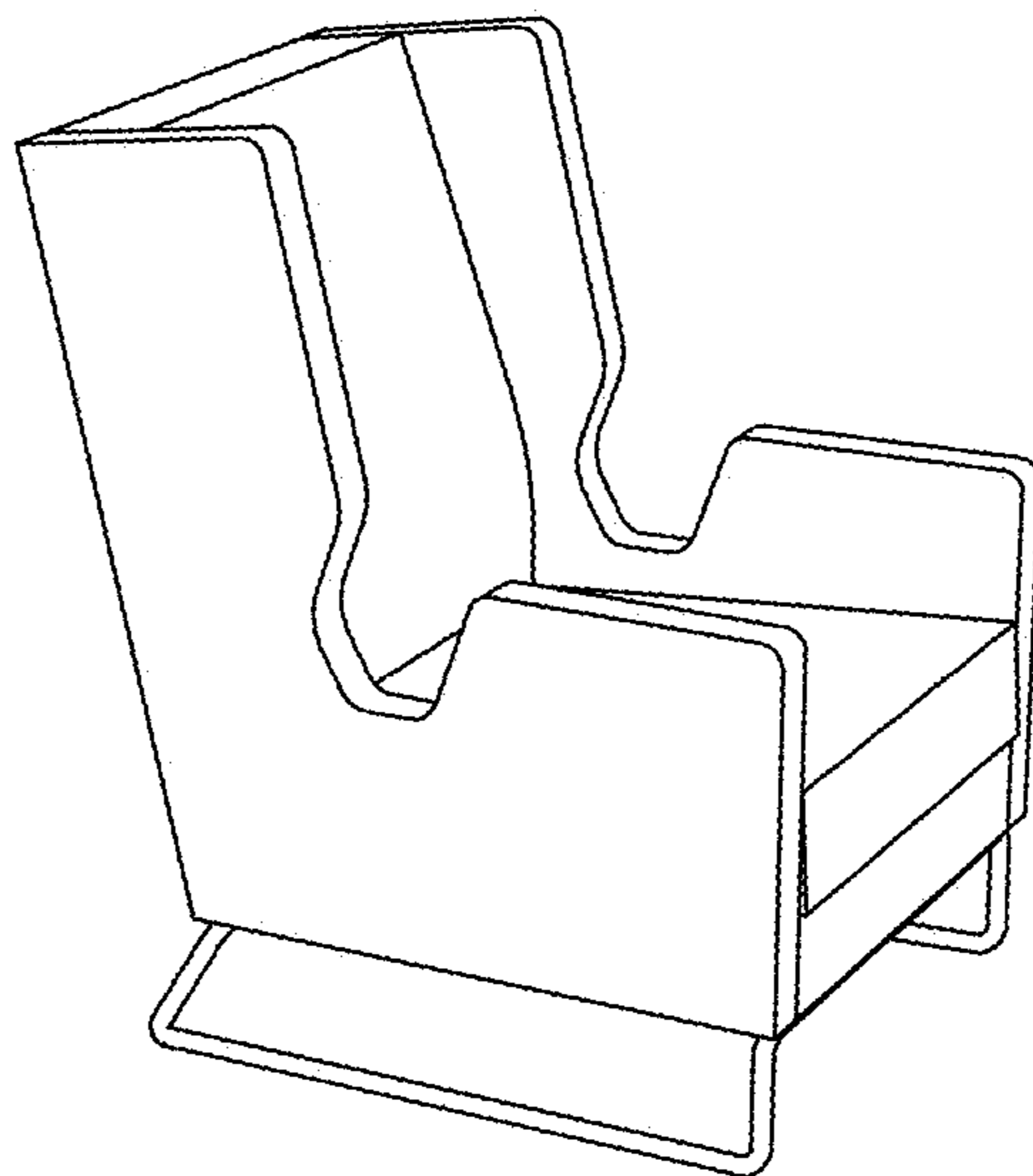


FIG. 1

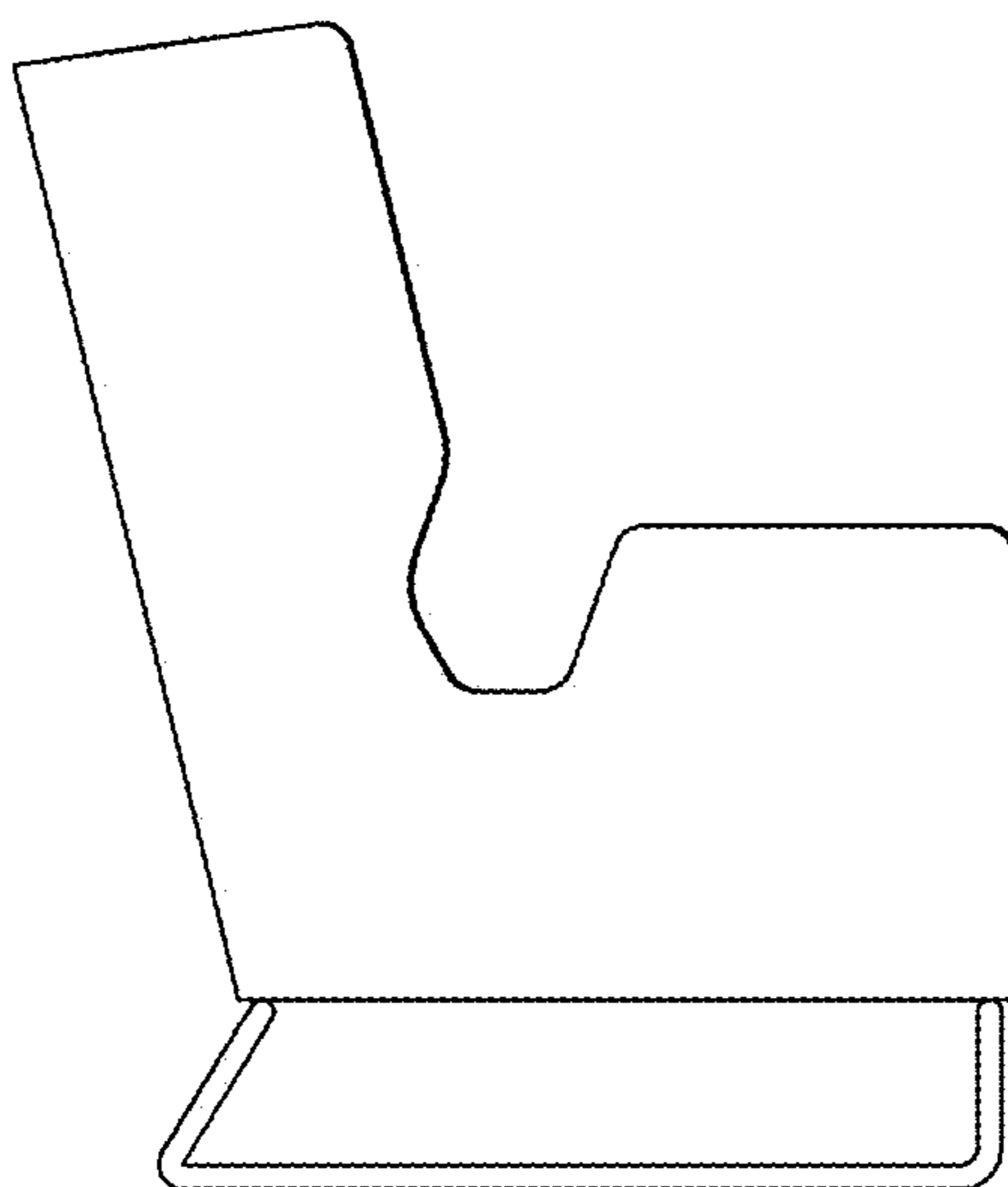


FIG. 2

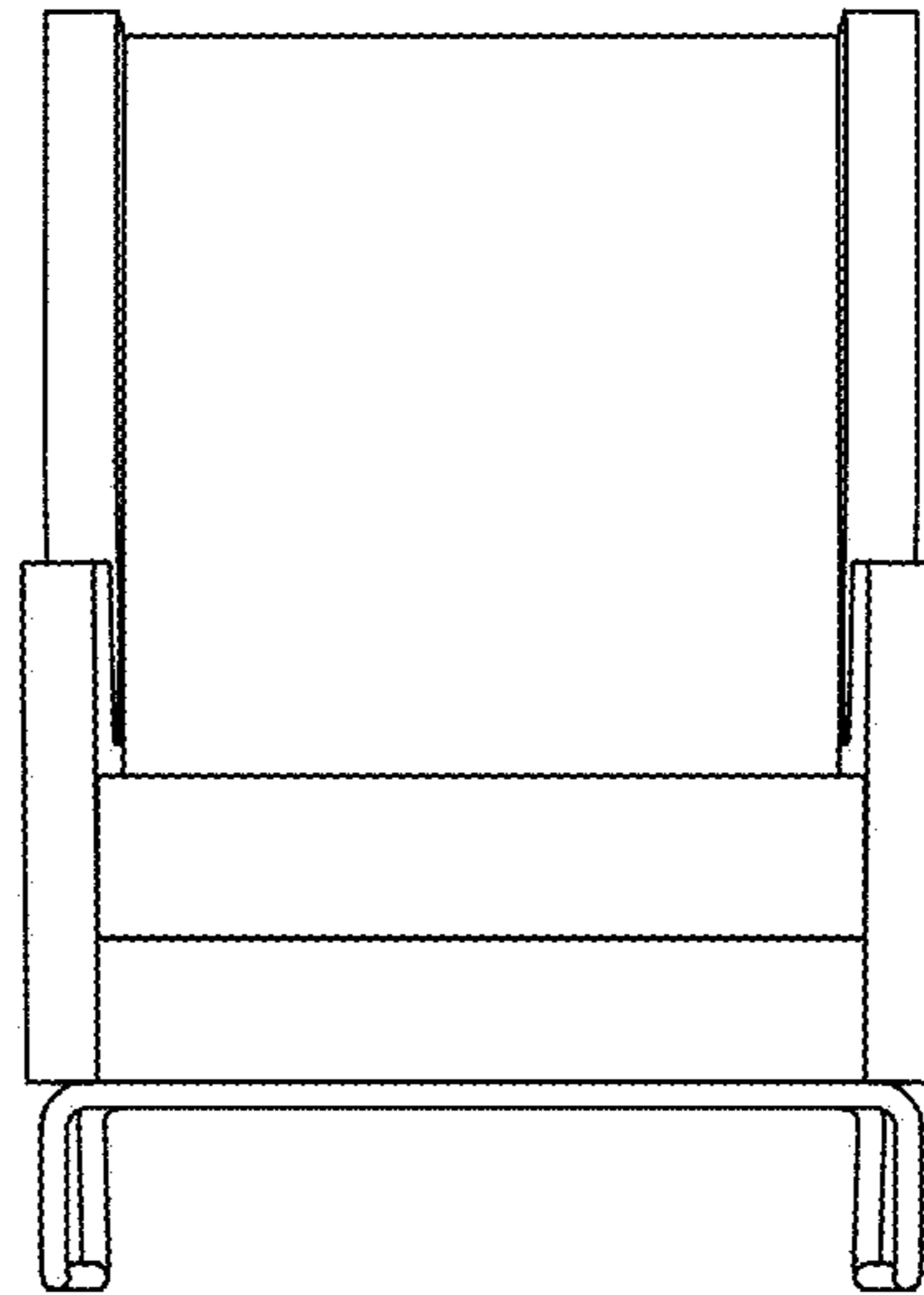


FIG. 3

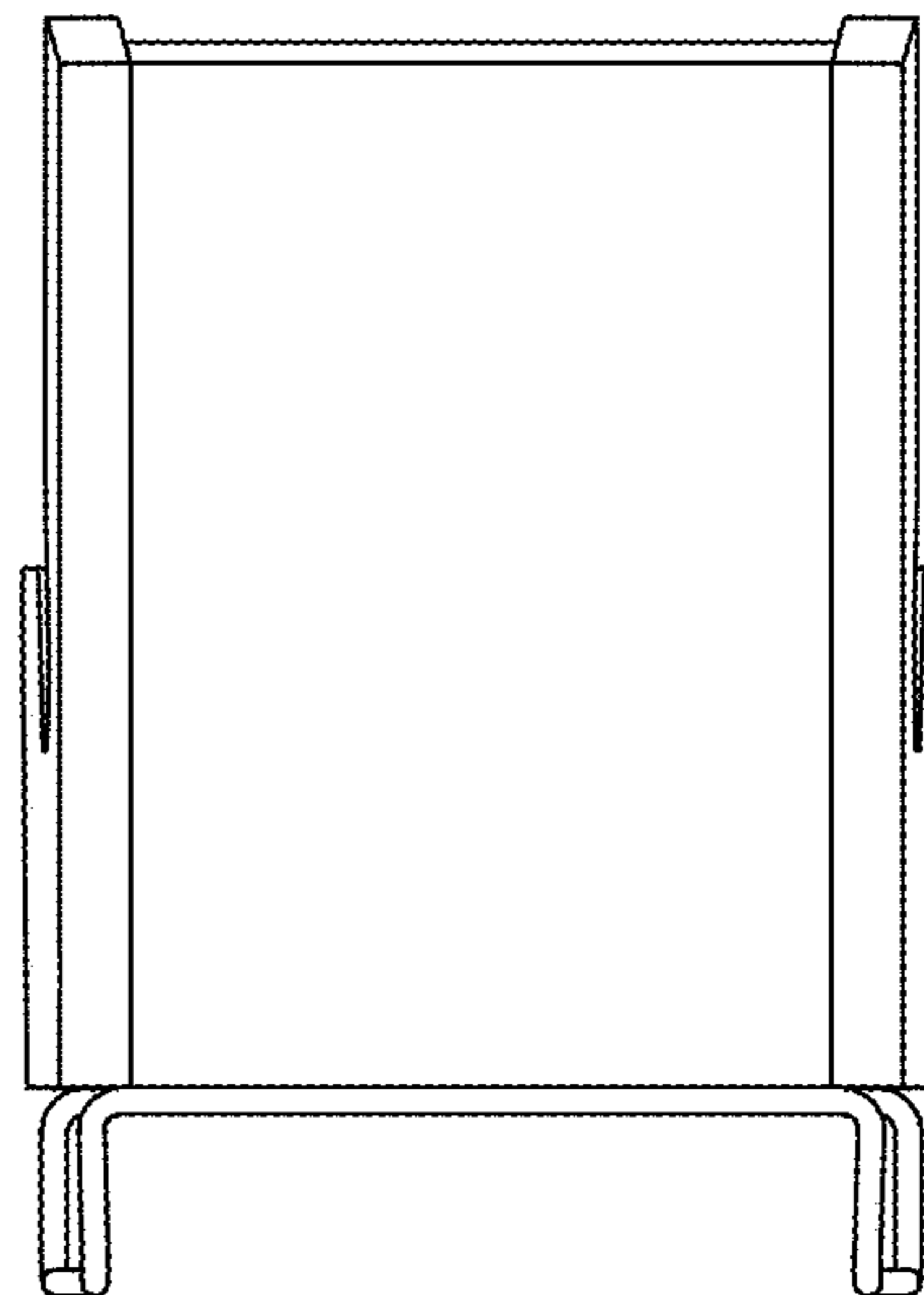


FIG. 4

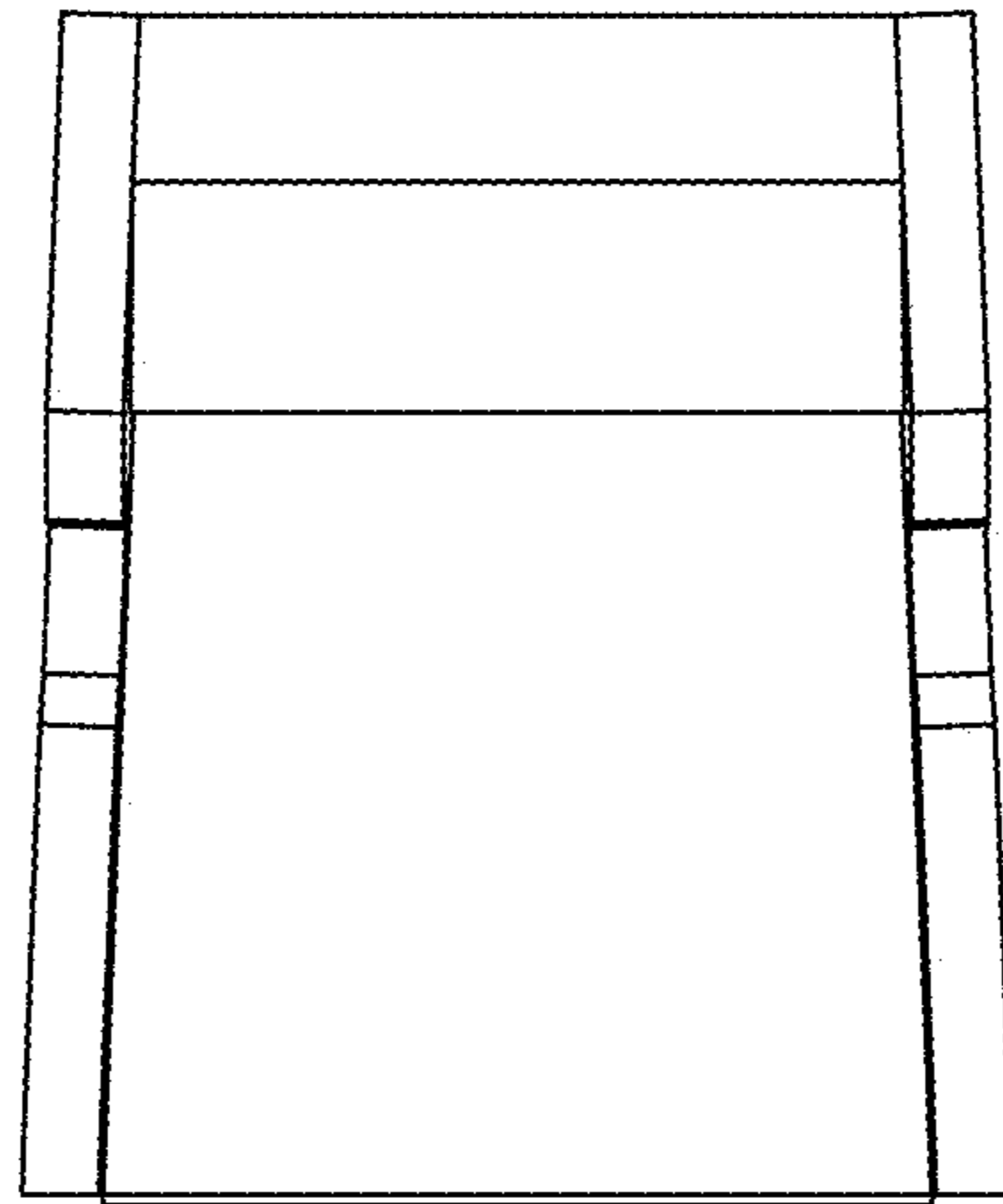


FIG. 5

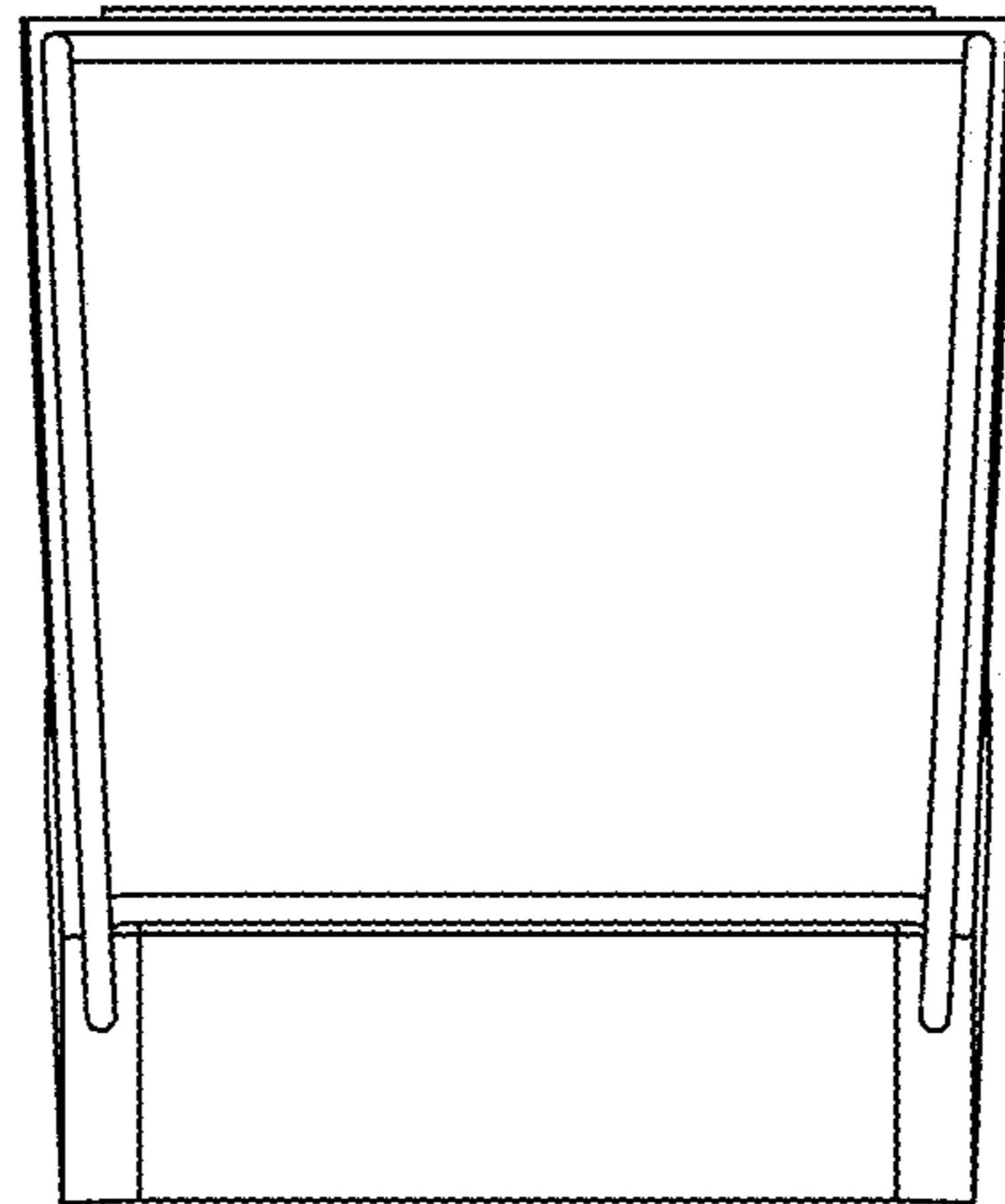


FIG. 6