



US00D728952S

(12) **United States Design Patent**
Yu

(10) **Patent No.:** **US D728,952 S**
(45) **Date of Patent:** **** May 12, 2015**

(54) **SADDLE**

(71) Applicant: **Velo Enterprise Co., Ltd.**, Taichung (TW)

(72) Inventor: **Tsai-Yun Yu**, Taichung (TW)

(73) Assignee: **Velo Enterprise Co., Ltd.**, Taichung (TW)

(**) Term: **14 Years**

(21) Appl. No.: **29/489,728**

(22) Filed: **May 2, 2014**

(30) **Foreign Application Priority Data**

Dec. 3, 2013 (TW) 102301916DO1

(51) **LOC (10) Cl.** **12-11**

(52) **U.S. Cl.**
USPC **D6/354**

(58) **Field of Classification Search**
USPC D6/340, 354; D12/111, 112; 297/195.1,
297/196-215.16; 267/132
See application file for complete search history.

(56) **References Cited**

U.S. PATENT DOCUMENTS

5,348,369 A * 9/1994 Yu 297/214
D384,828 S * 10/1997 Mel D6/354

D439,756 S * 4/2001 Bigolin D6/354
D456,623 S * 5/2002 Yates D6/354
6,450,572 B1 * 9/2002 Kuipers 297/195.1
6,860,551 B1 * 3/2005 Chi 297/200
7,448,676 B2 * 11/2008 Wyner et al. 297/200
8,128,164 B2 * 3/2012 Segato 297/215.16
8,167,369 B2 * 5/2012 Tsai 297/195.1
2005/0046245 A1 * 3/2005 Yu 297/214
2008/0197680 A1 * 8/2008 Chuang 297/214
2013/0214568 A1 * 8/2013 Mueller et al. 297/195.1
2014/0070576 A1 * 3/2014 Wu et al. 297/214

* cited by examiner

Primary Examiner — George D Kirschbaum

Assistant Examiner — Jennifer Watkins

(74) *Attorney, Agent, or Firm* — Browdy and Neimark, PLLC

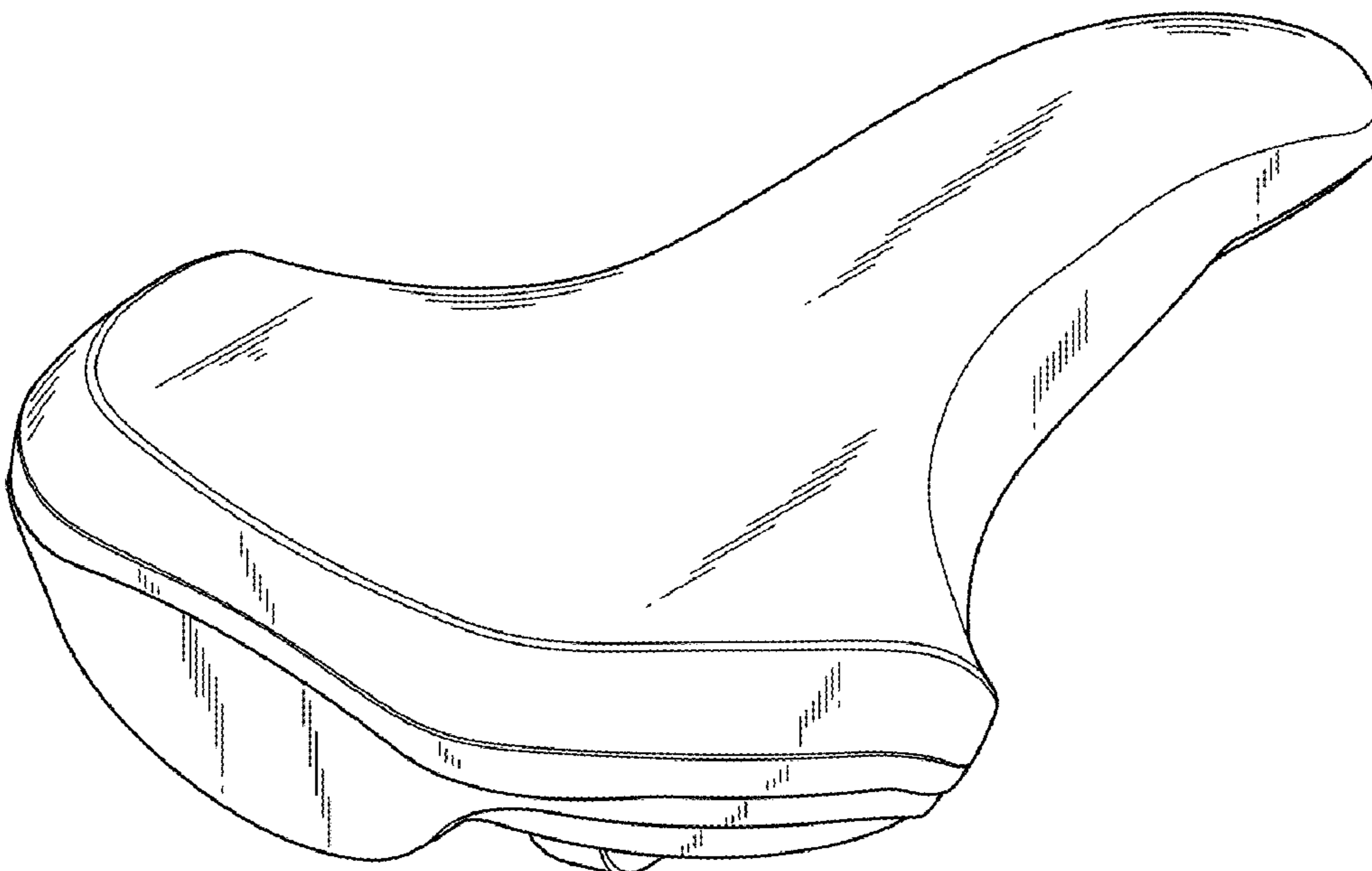
(57) **CLAIM**

The ornamental design for a saddle, as shown and described.

DESCRIPTION

FIG. 1 shows a perspective view of the present design.
FIG. 2 shows a front view of the present design.
FIG. 3 shows a rear view of the present design.
FIG. 4 shows a left side view of the present design.
FIG. 5 shows a right side view of the present design.
FIG. 6 shows a top view of the present design.
FIG. 7 shows a bottom view of the present design; and,
FIG. 8 is a cross-sectional view taken along the line 8-8 of FIG. 7.

1 Claim, 6 Drawing Sheets



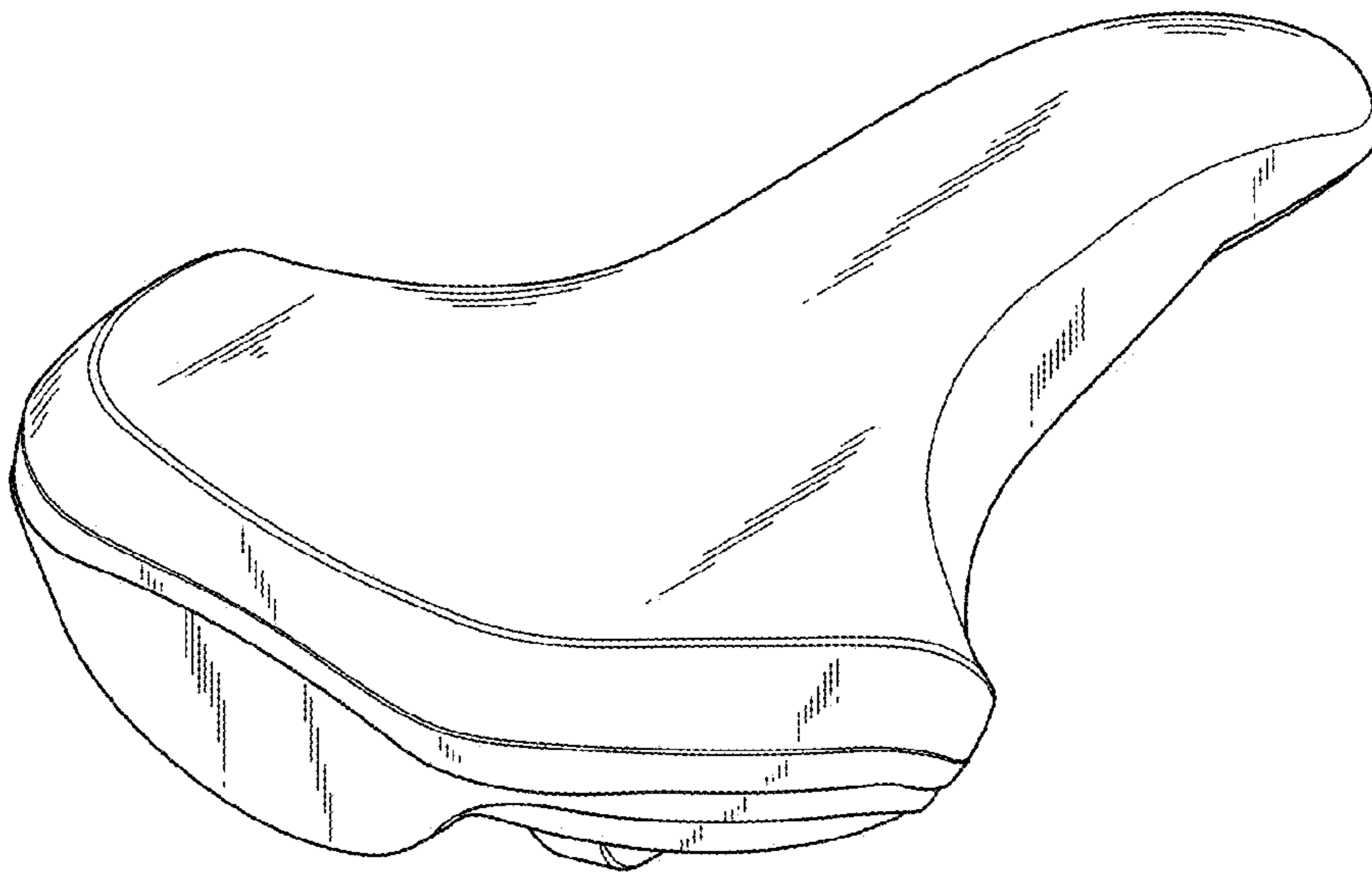


FIG. 1

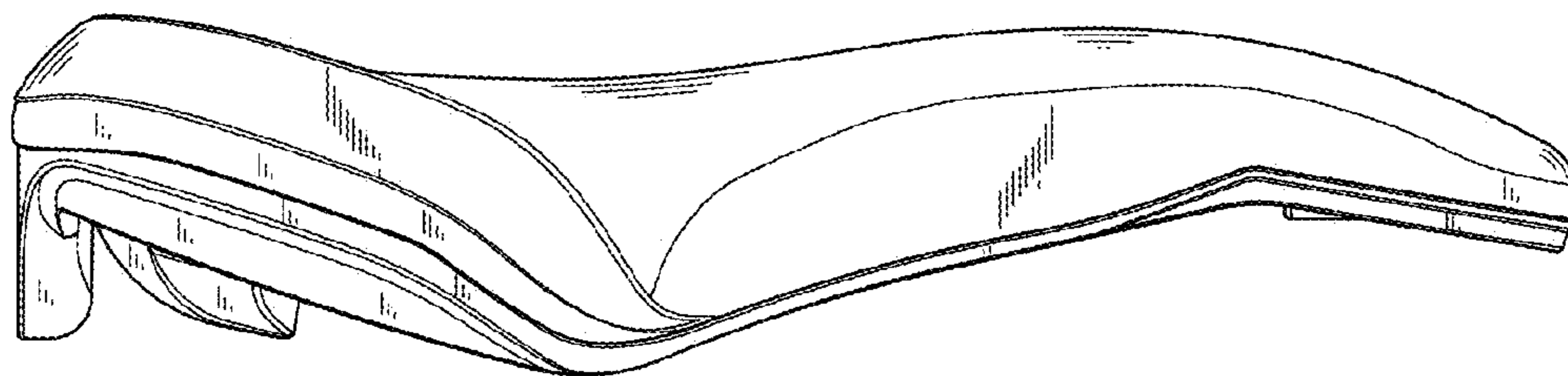


FIG. 2

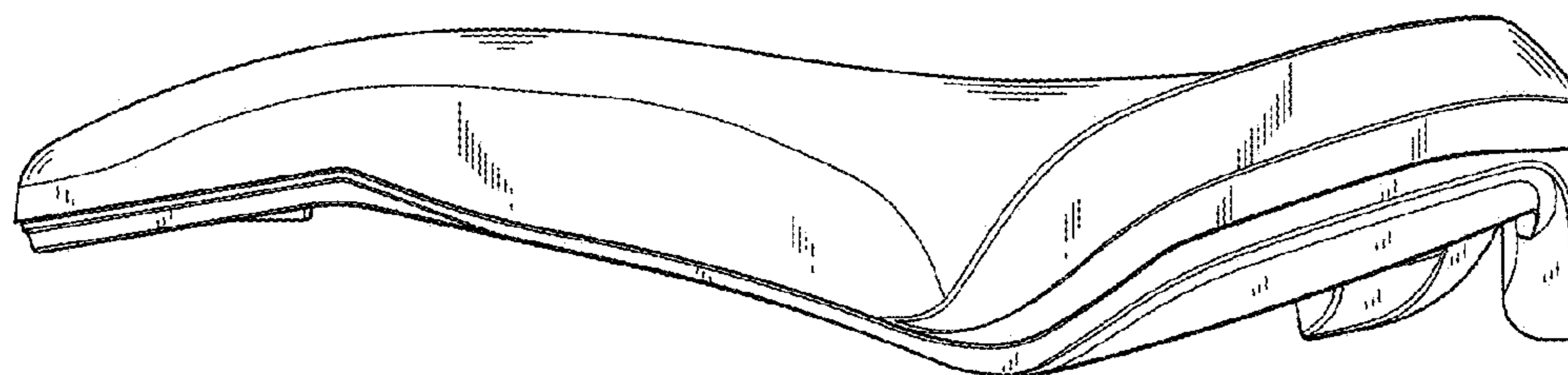


FIG. 3

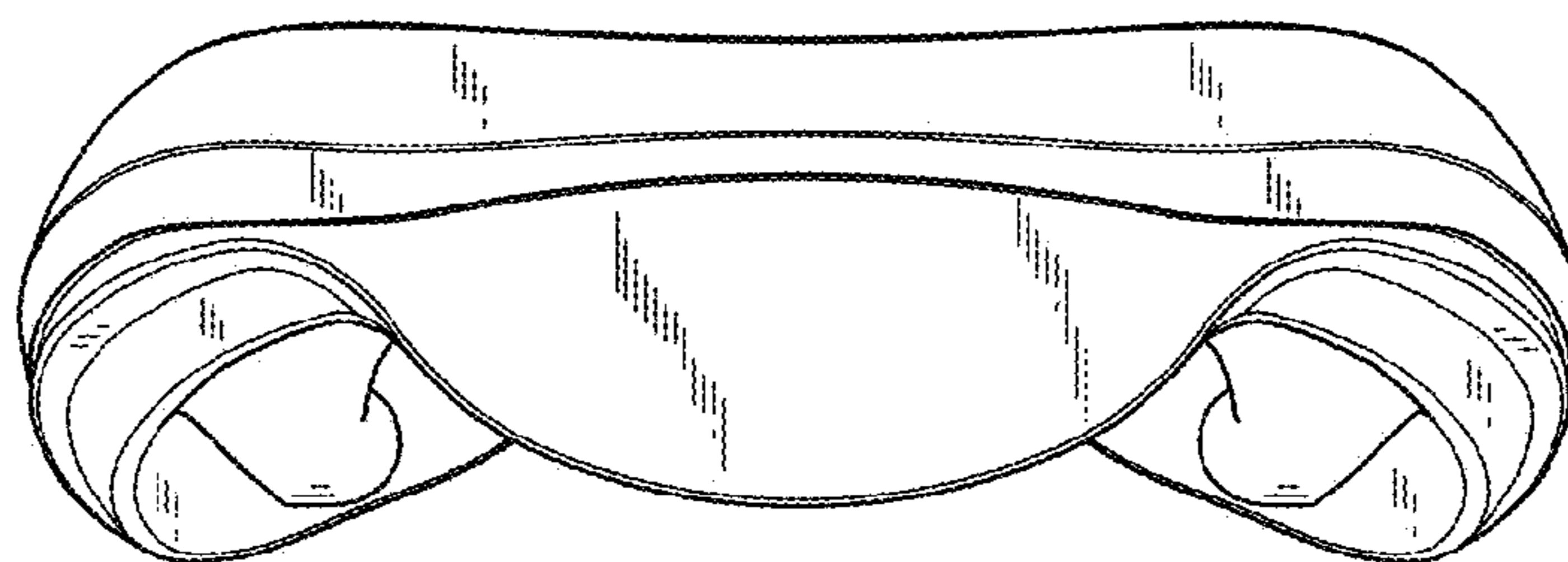


FIG. 4

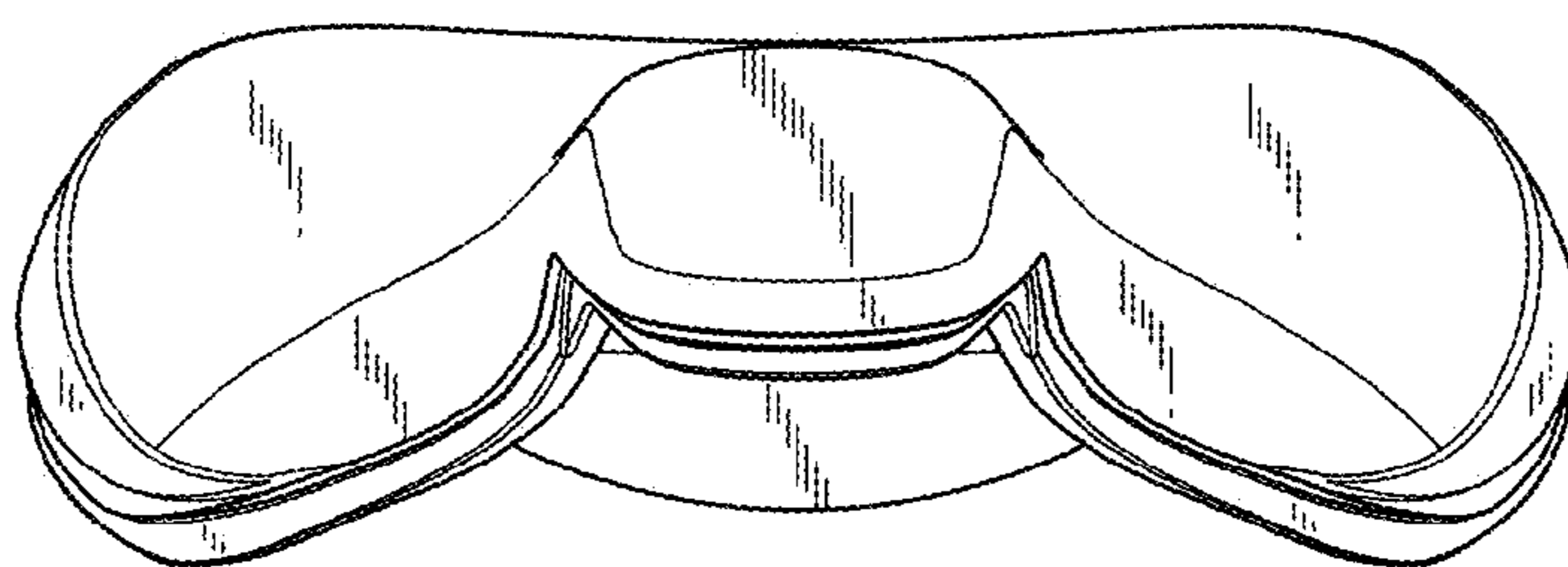


FIG. 5

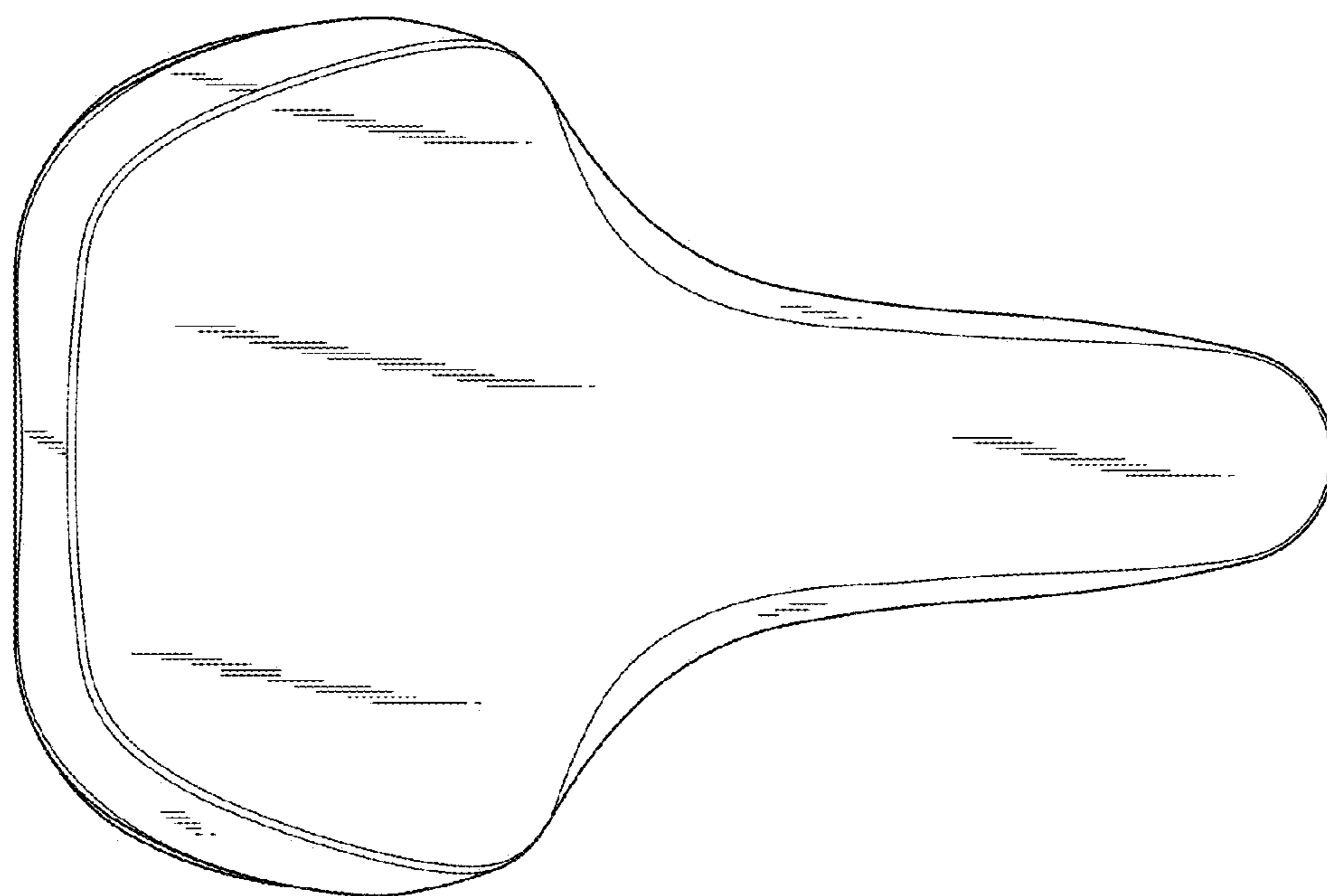


FIG. 6

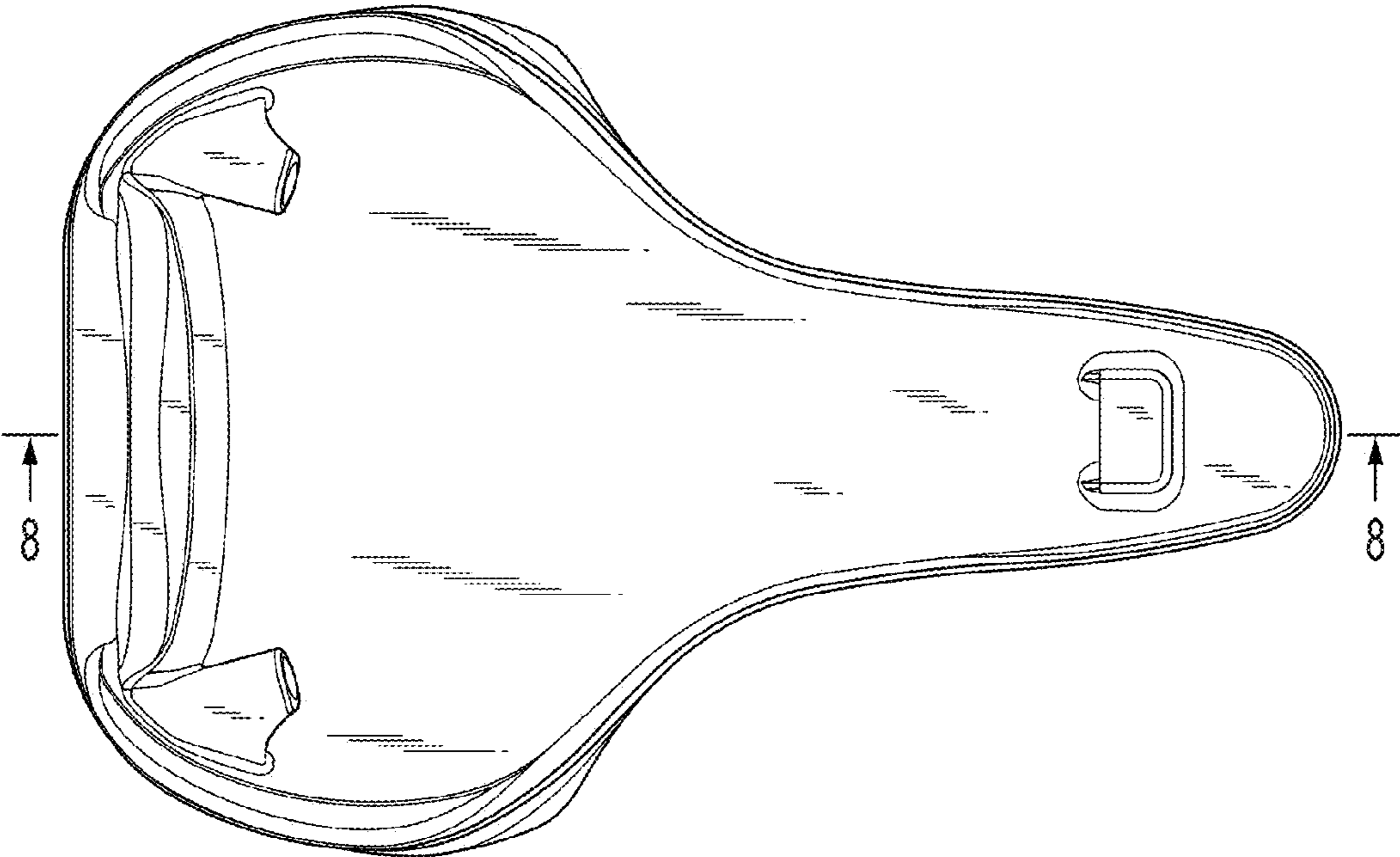


FIG. 7

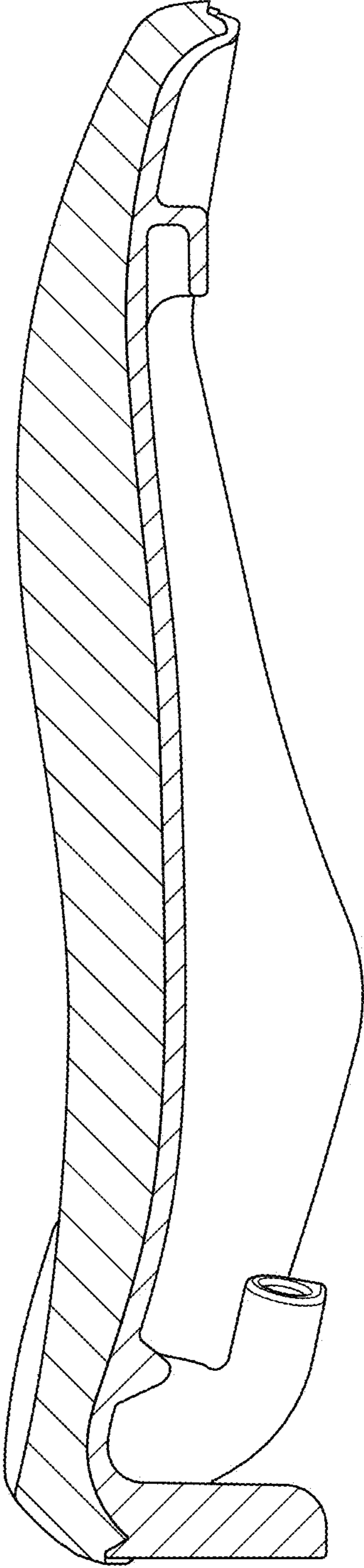


FIG. 8