



US00D728951S

(12) **United States Design Patent**
Yoshida

(10) **Patent No.:** **US D728,951 S**
(45) **Date of Patent:** **** May 12, 2015**

(54) **STOOL**

(71) Applicant: **Okamura Corporation**, Yokohama-shi,
Kanagawa (JP)

(72) Inventor: **Ryousuke Yoshida**, Yokohama (JP)

(73) Assignee: **Okamura Corporation**, Kanagawa (JP)

(**) Term: **14 Years**

(21) Appl. No.: **29/483,902**

(22) Filed: **Mar. 4, 2014**

(30) **Foreign Application Priority Data**

Sep. 6, 2013 (JP) 2013-020686

(51) **LOC (10) Cl.** **06-01**

(52) **U.S. Cl.**
USPC **D6/349**

(58) **Field of Classification Search**

CPC A47C 1/14; A47C 3/16-3/20; A47C 4/00;
A47C 4/28; A47C 5/02; A47C 5/04; A47C
5/043; A47C 7/00-7/006; A47C 7/02; A47C
9/00; A47C 9/02; A47C 9/002; A47C 9/007;
A47C 9/025; A47C 9/10; A47C 11/00;
A47C 12/00; A47C 13/00; A47C 16/02
USPC D6/333, 335, 340, 344, 347, 349-355,
D6/358, 360, 363-365, 381, 596, 601, 685,
D6/687, 688.15, 688.27, 690, 691, 692.3,
D6/708.16, 709, 709.2, 709.22, 711,
D6/716-716.7, 717

See application file for complete search history.

(56) **References Cited**

U.S. PATENT DOCUMENTS

D234,477 S *	3/1975	Lockhardt et al.	D6/349
D406,470 S *	3/1999	Lin	D6/349
D449,455 S *	10/2001	Rheault et al.	D6/349
D557,910 S *	12/2007	Saunders et al.	D6/350
D564,244 S *	3/2008	Ikaheimo	D6/349
D566,408 S *	4/2008	Gonzalez	D6/350
D579,675 S *	11/2008	Paterson	D6/349
D586,574 S *	2/2009	Gomree	D6/350
D625,931 S *	10/2010	Estrup	D6/349
D647,313 S *	10/2011	Chen	D6/364
D650,184 S *	12/2011	Hsu	D6/349
D657,578 S *	4/2012	Szekely	D6/349
D681,967 S *	5/2013	Schoolmeester et al.	D6/349

* cited by examiner

Primary Examiner — Susan Bennett Hattan

Assistant Examiner — Vy Koenig

(74) *Attorney, Agent, or Firm* — Sughrue Mion, PLLC

(57) **CLAIM**

The ornamental design for a stool, as shown and described.

DESCRIPTION

FIG. 1 is a perspective view of a stool.
FIG. 2 is a front elevation view thereof.
FIG. 3 is a rear elevation view thereof.
FIG. 4 is a right side elevation view thereof.
FIG. 5 is a left side elevation view thereof.
FIG. 6 is a top plan view thereof.
FIG. 7 is a bottom plan view thereof.
FIG. 8 is a cross-sectional view taken along the line 8-8 in FIG. 6.
FIG. 9 is a cross-sectional view taken along the line 9-9 in FIG. 6; and,
FIG. 10 is a partially enlarged view of the stool shown in FIG. 8.

1 Claim, 10 Drawing Sheets

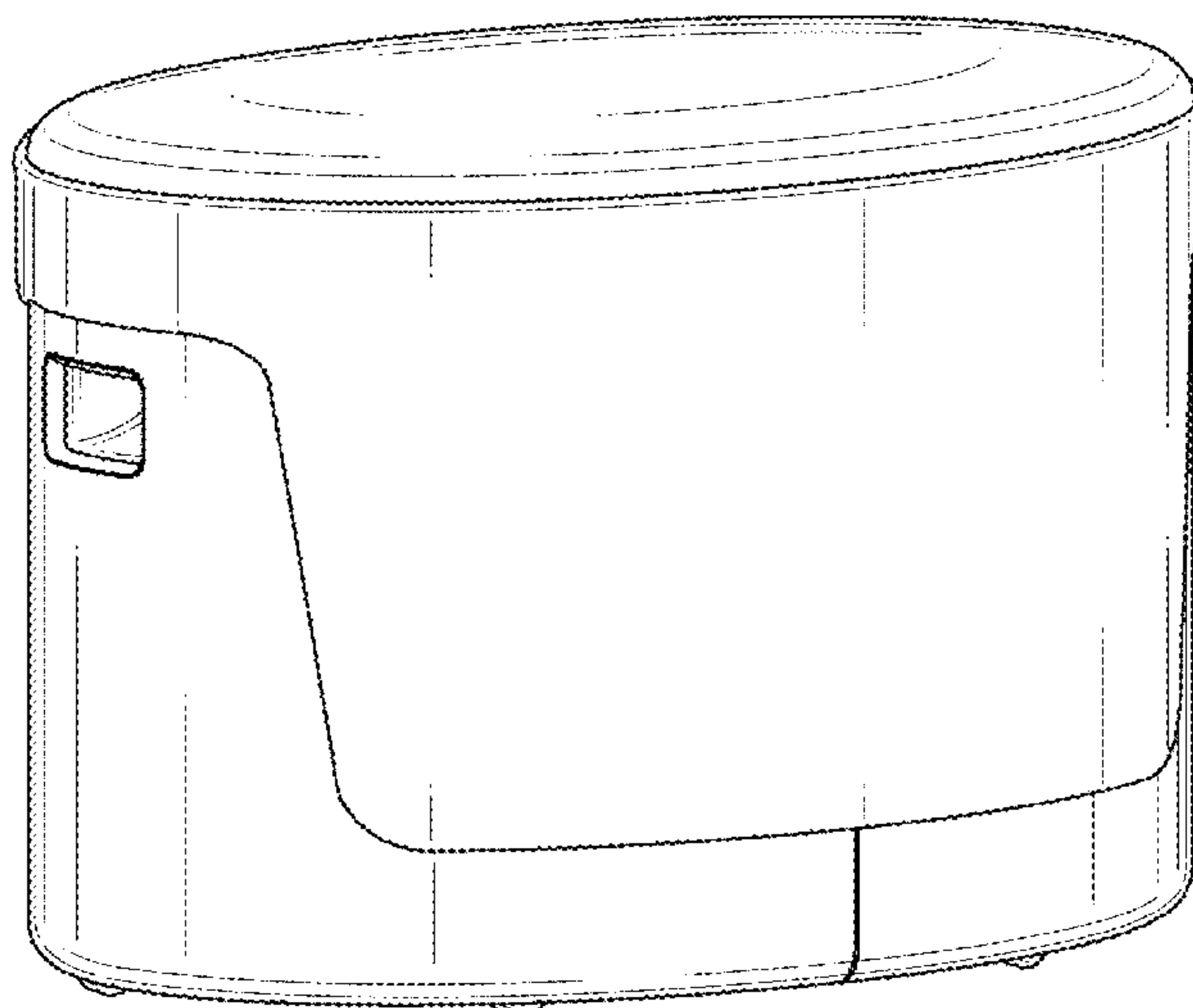


FIG. 1

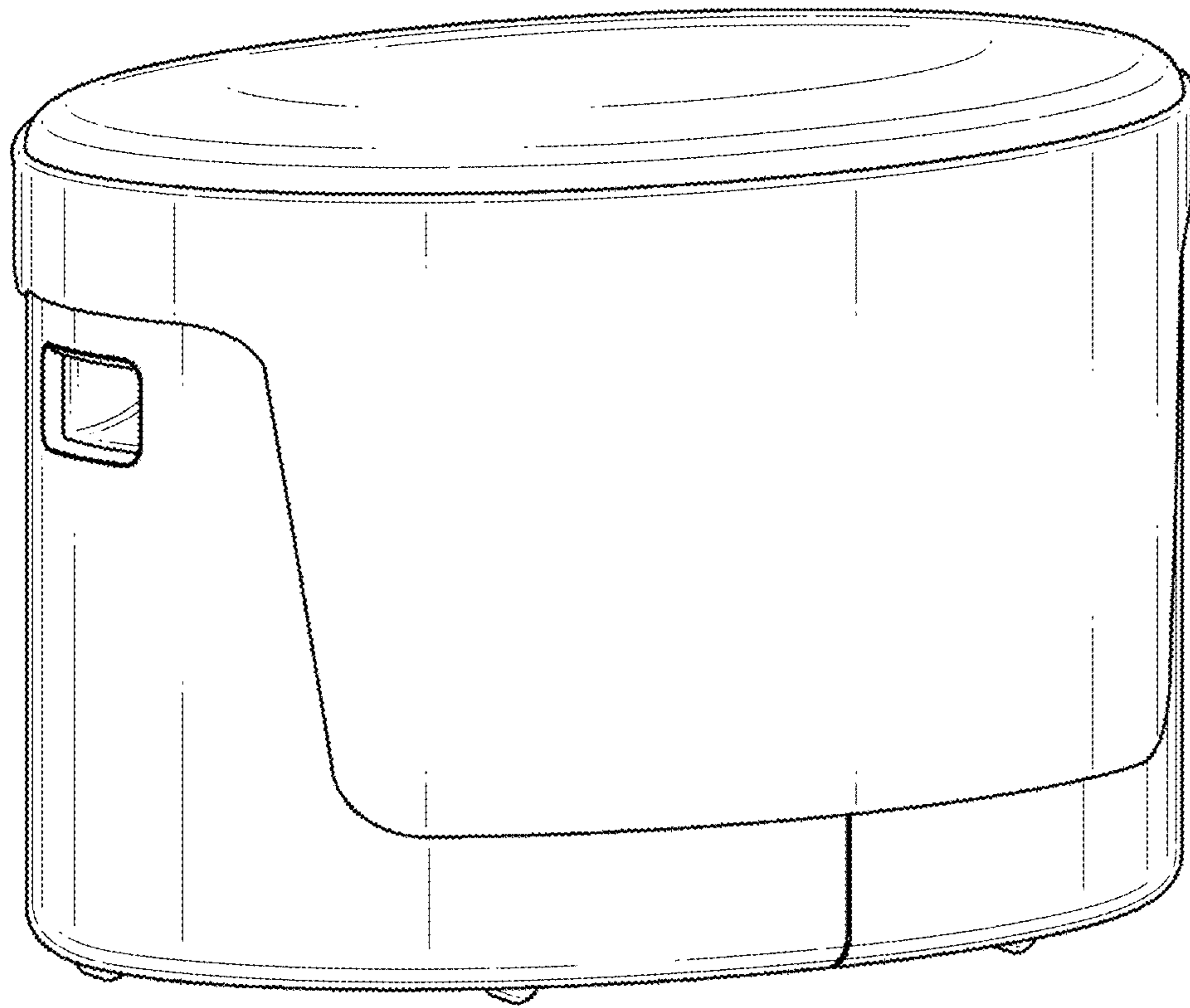


FIG. 2

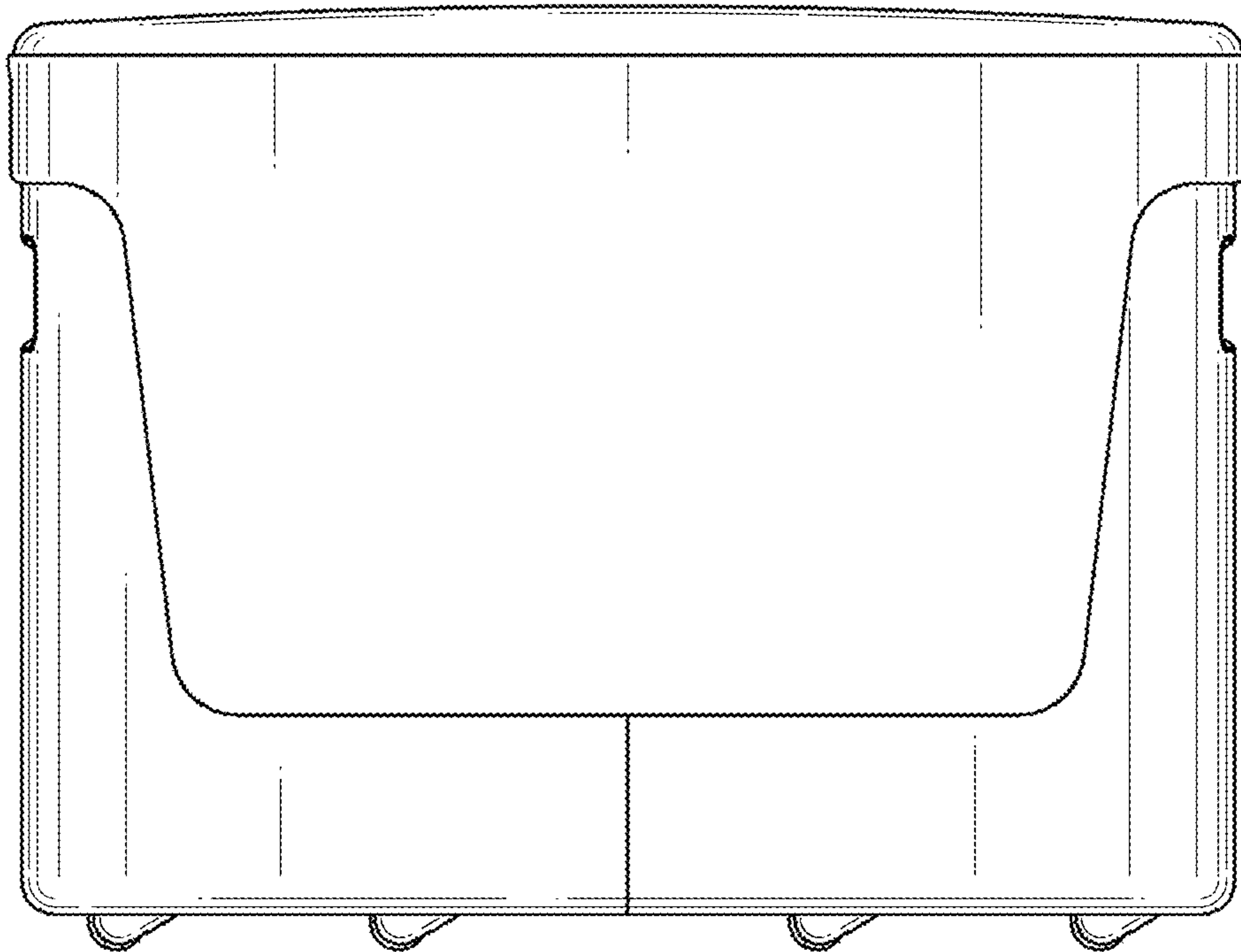


FIG. 3

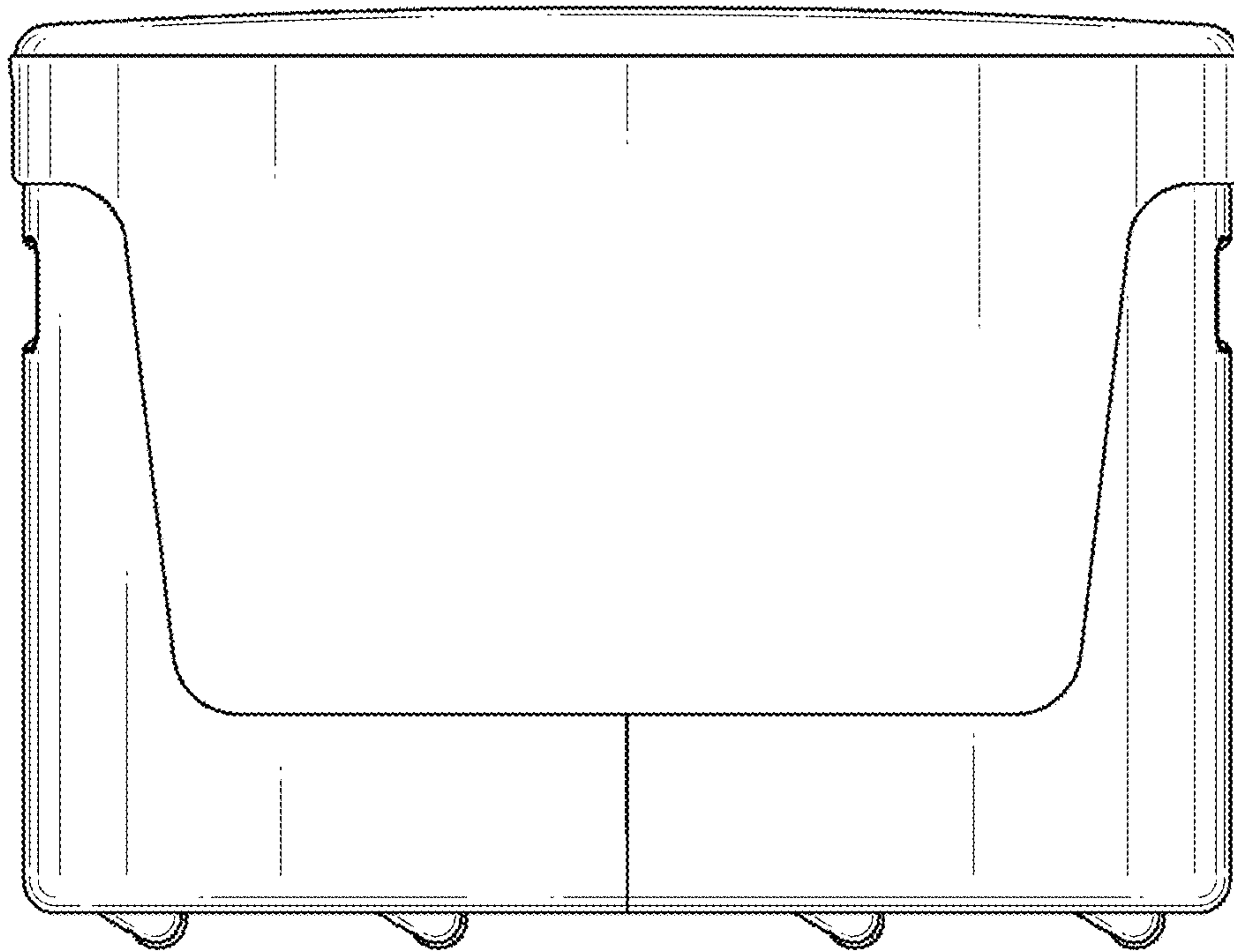


FIG. 4

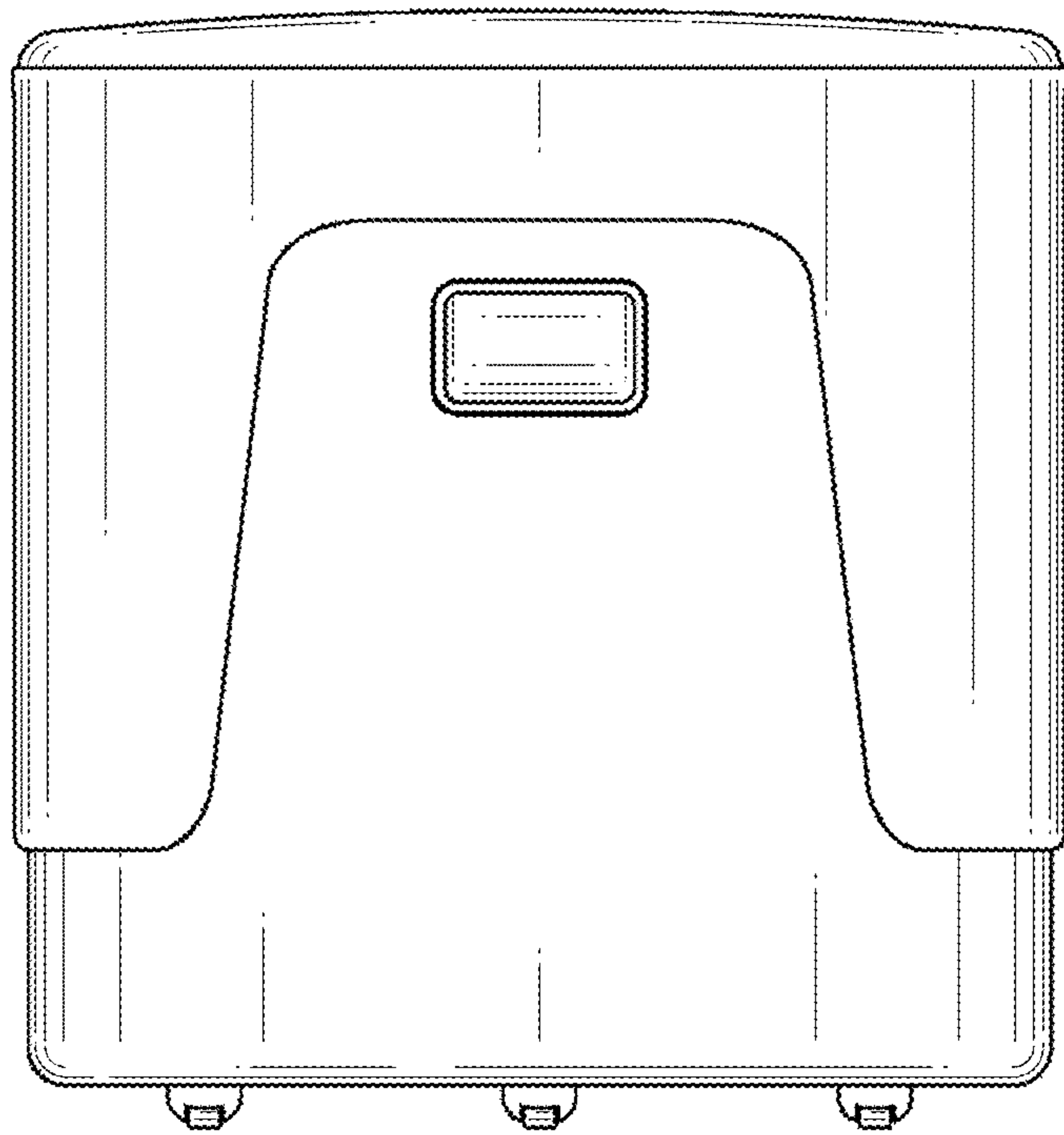


FIG. 5

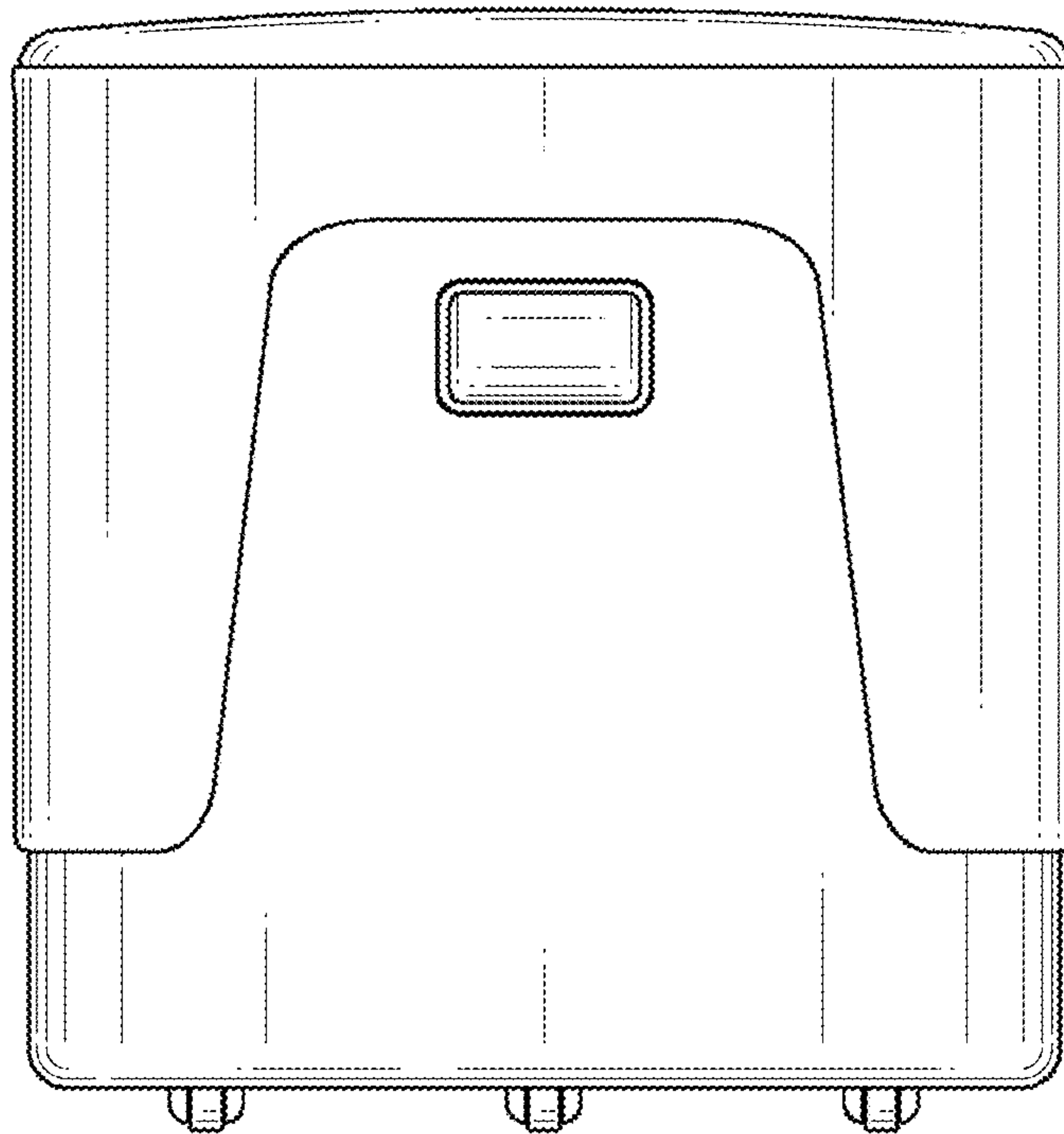


FIG. 6

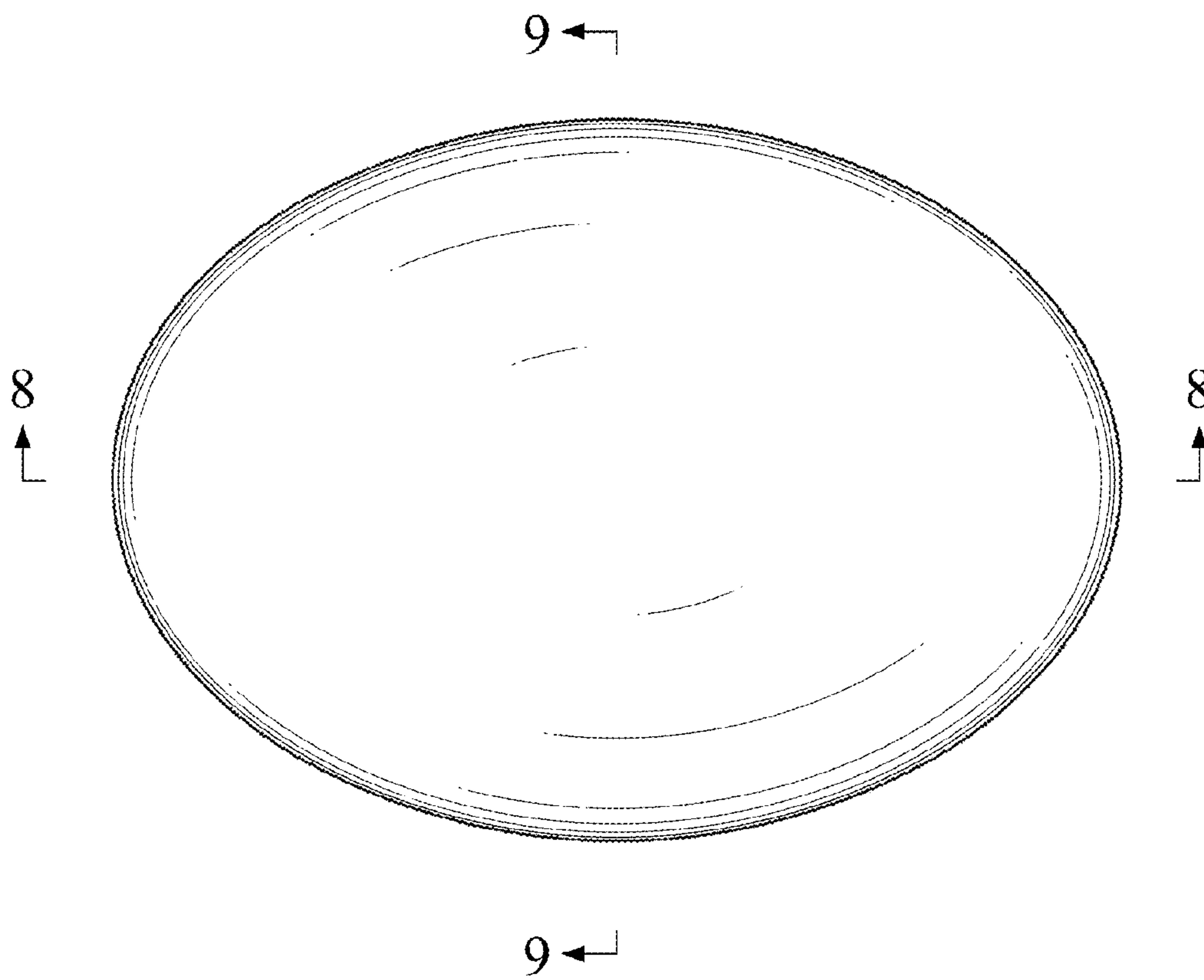


FIG. 7

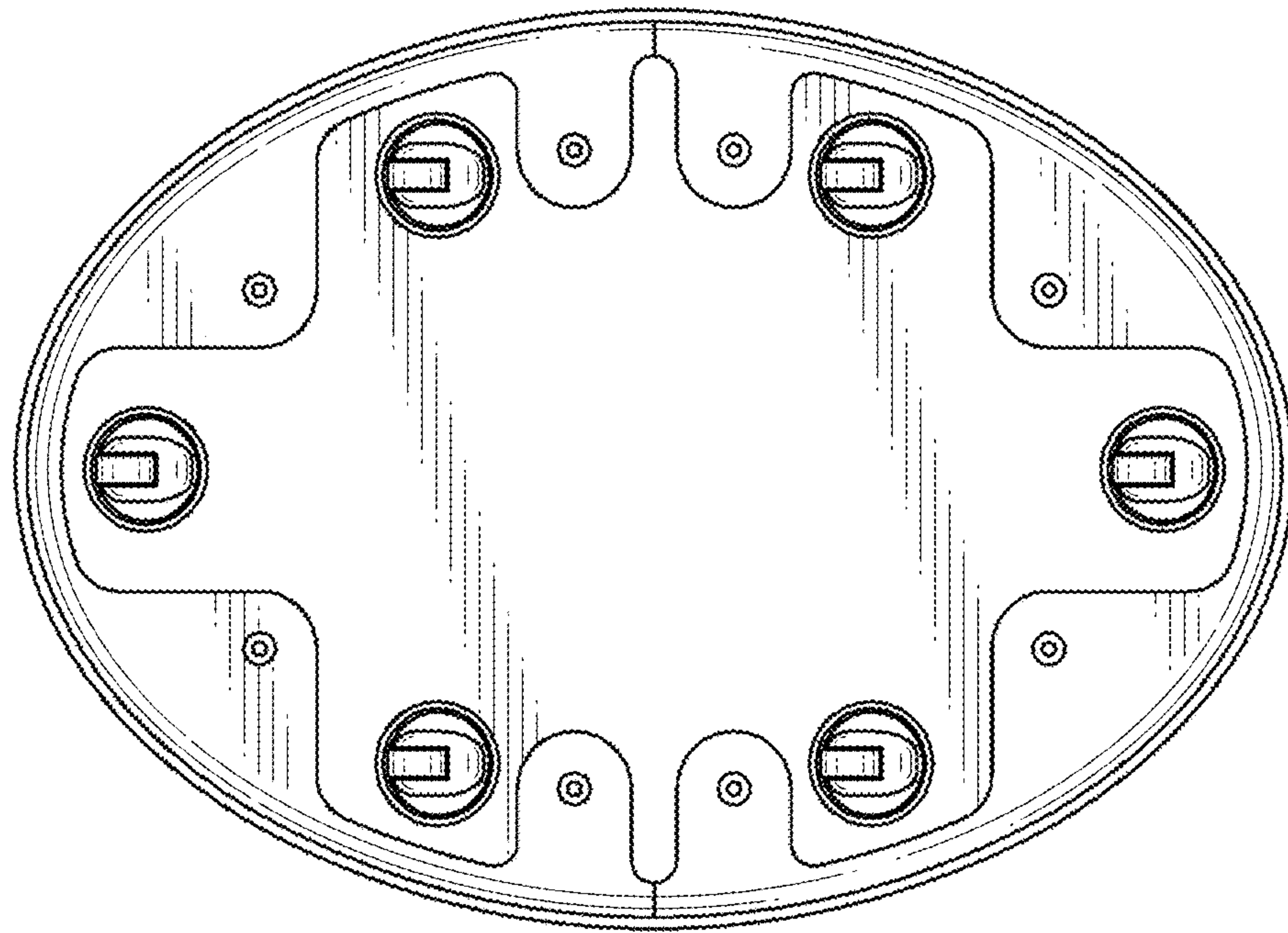


FIG. 8

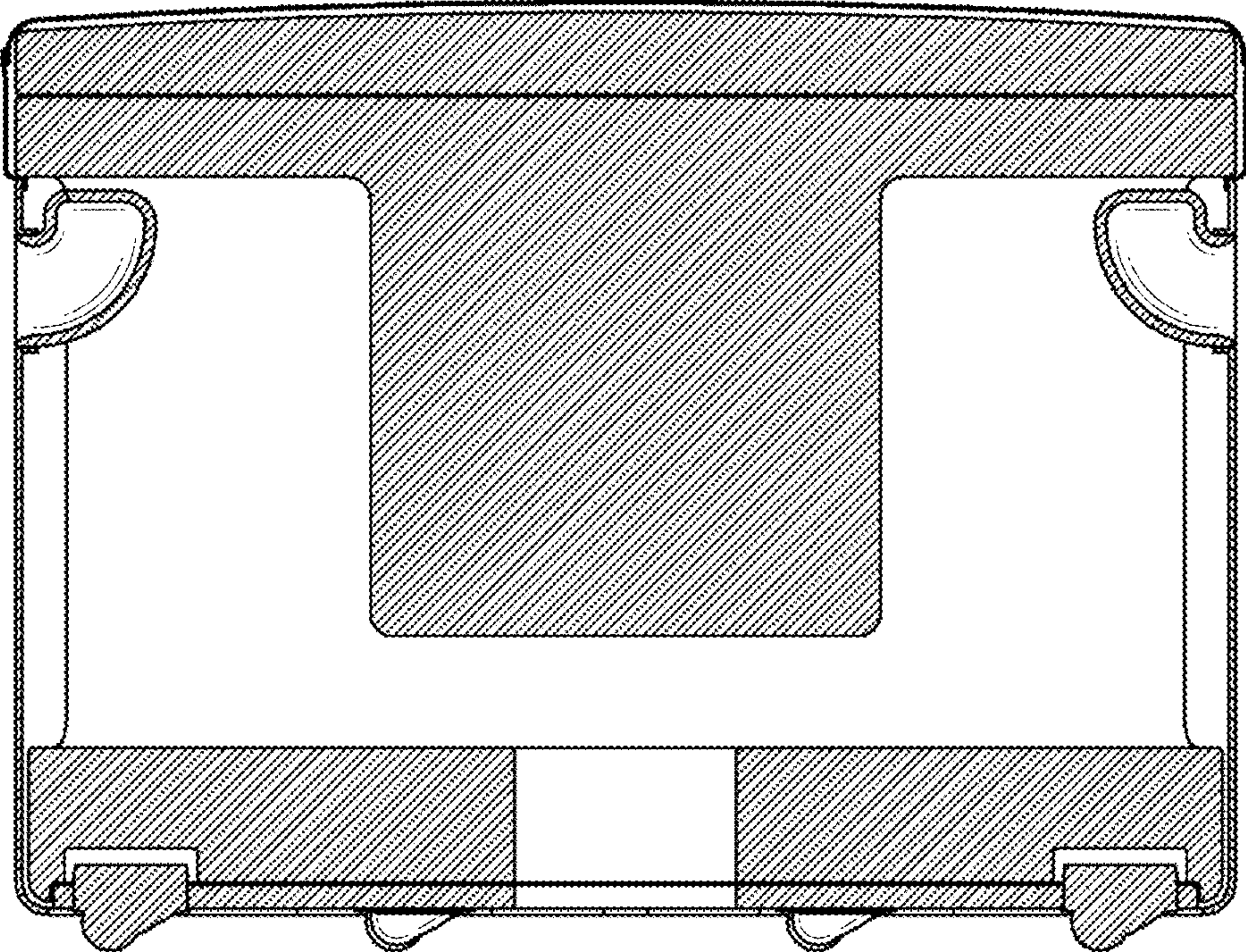


FIG. 9

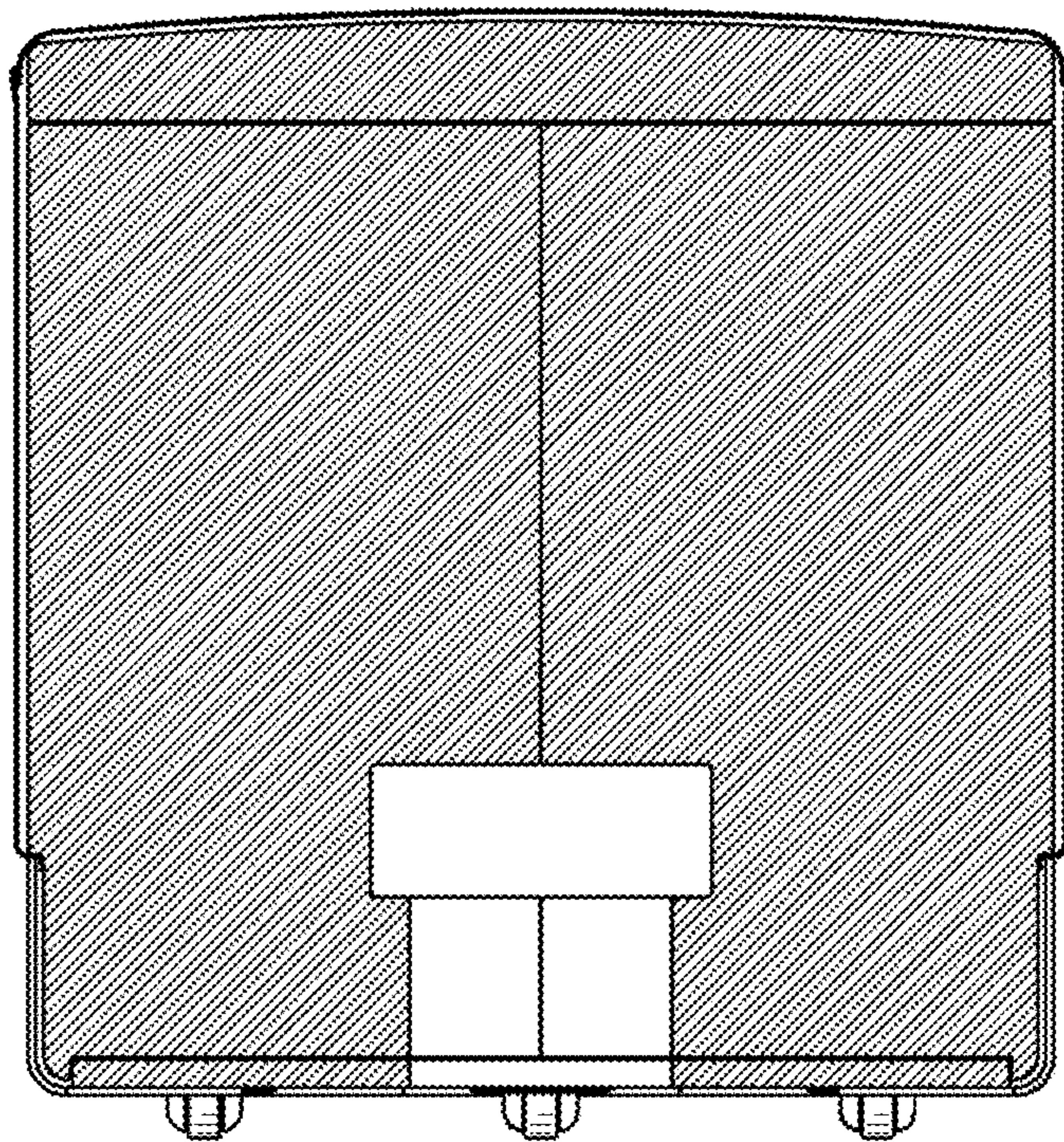


FIG. 10

