



US00D728949S

(12) **United States Design Patent**  
**Fang**

(10) **Patent No.:** **US D728,949 S**

(45) **Date of Patent:** **\*\* May 12, 2015**

(54) **ROCKING CHAIR**

(56) **References Cited**

(71) Applicant: **Ningbo Mentoriend International Trading Co., Ltd.**, Ningbo (CN)

U.S. PATENT DOCUMENTS

(72) Inventor: **Frank Fang**, Ningbo (CN)

D271,728 S *	12/1983	Burns	.....	D6/348
4,790,596 A *	12/1988	Shifferaw	.....	A47C 3/029
D379,270 S *	5/1997	Voyce	.....	D6/347
6,955,398 B1 *	10/2005	Reese	.....	A47C 3/029
D548,472 S *	8/2007	Habing et al.	.....	D6/347
D677,914 S *	3/2013	Cardenas	.....	D6/347
D699,453 S *	2/2014	Weng	.....	D6/347

(73) Assignee: **Ningbo Mentoriend International Trading Co., Ltd.**, Ningbo (CN)

(\*\*) Term: **14 Years**

\* cited by examiner

(21) Appl. No.: **29/486,836**

*Primary Examiner* — Mimoso De

(22) Filed: **Apr. 2, 2014**

(74) *Attorney, Agent, or Firm* — Matthias Scholl P.C.;  
Matthias Scholl

(30) **Foreign Application Priority Data**

(57) **CLAIM**

Feb. 21, 2014 (EM) ..... 002409664-0001

The ornamental design for a rocking chair, as shown and described.

(51) **LOC (10) Cl.** ..... **06-01**

**DESCRIPTION**

(52) **U.S. Cl.**

USPC ..... **D6/348**

(58) **Field of Classification Search**

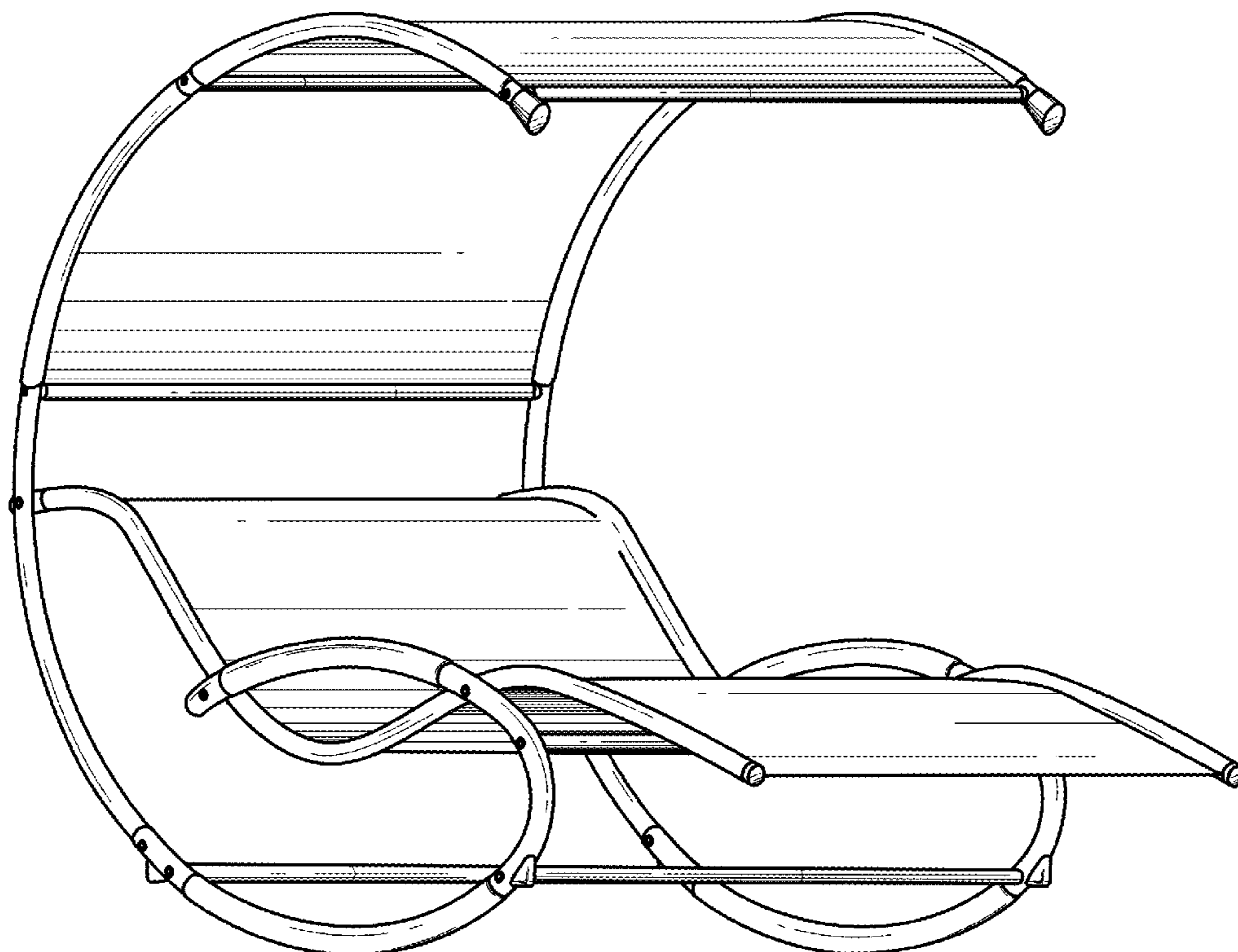
CPC ..... A47C 3/02; A47C 3/021; A47C 3/023;  
A47C 3/029; A47C 5/04; A47C 7/282

USPC ..... D6/334-336, 344, 347, 348, 361, 371,  
D6/373, 375, 376, 716, 716.1, 716.3,  
D6/716.4; 297/258.1, 271.5, 271.6, 448.2,  
297/452.13

FIG. 1 is a front elevational view of a rocking chair;  
FIG. 2 is a rear elevational view thereof;  
FIG. 3 is a left side elevational view thereof;  
FIG. 4 is a right side elevational view thereof;  
FIG. 5 is a top plan view thereof;  
FIG. 6 is a bottom plan view thereof; and,  
FIG. 7 is a perspective view thereof.

See application file for complete search history.

**1 Claim, 7 Drawing Sheets**



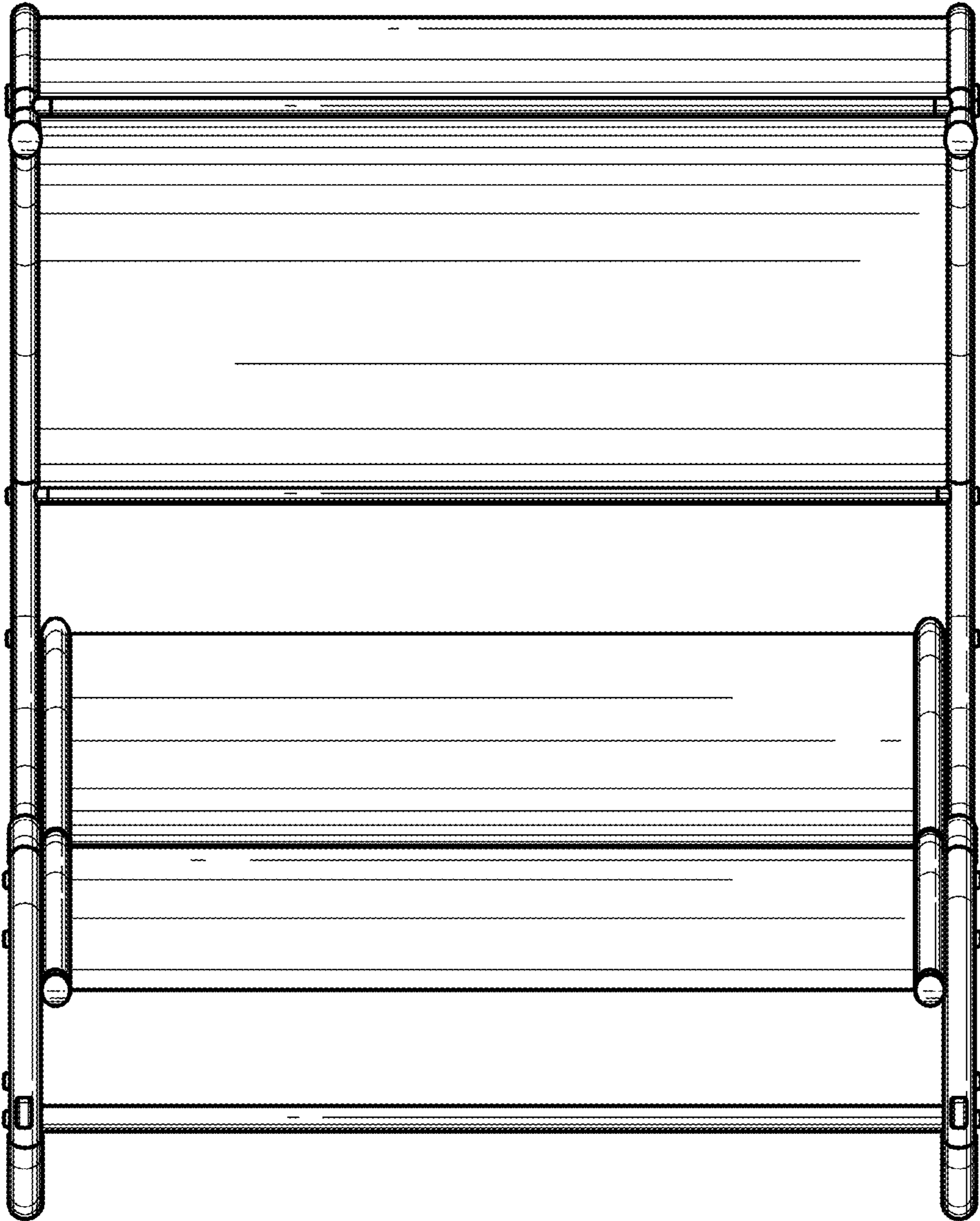


FIG. 1

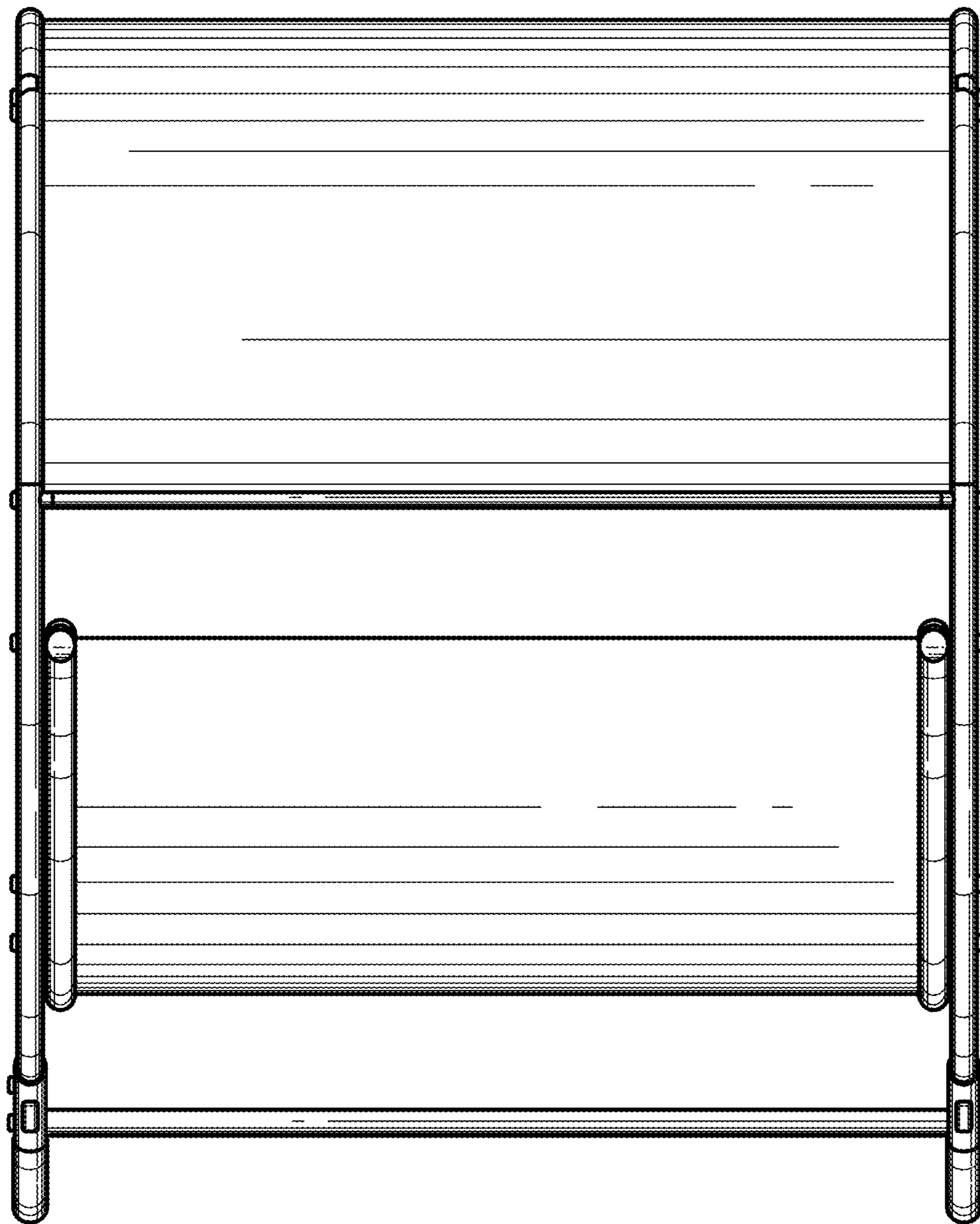


FIG. 2

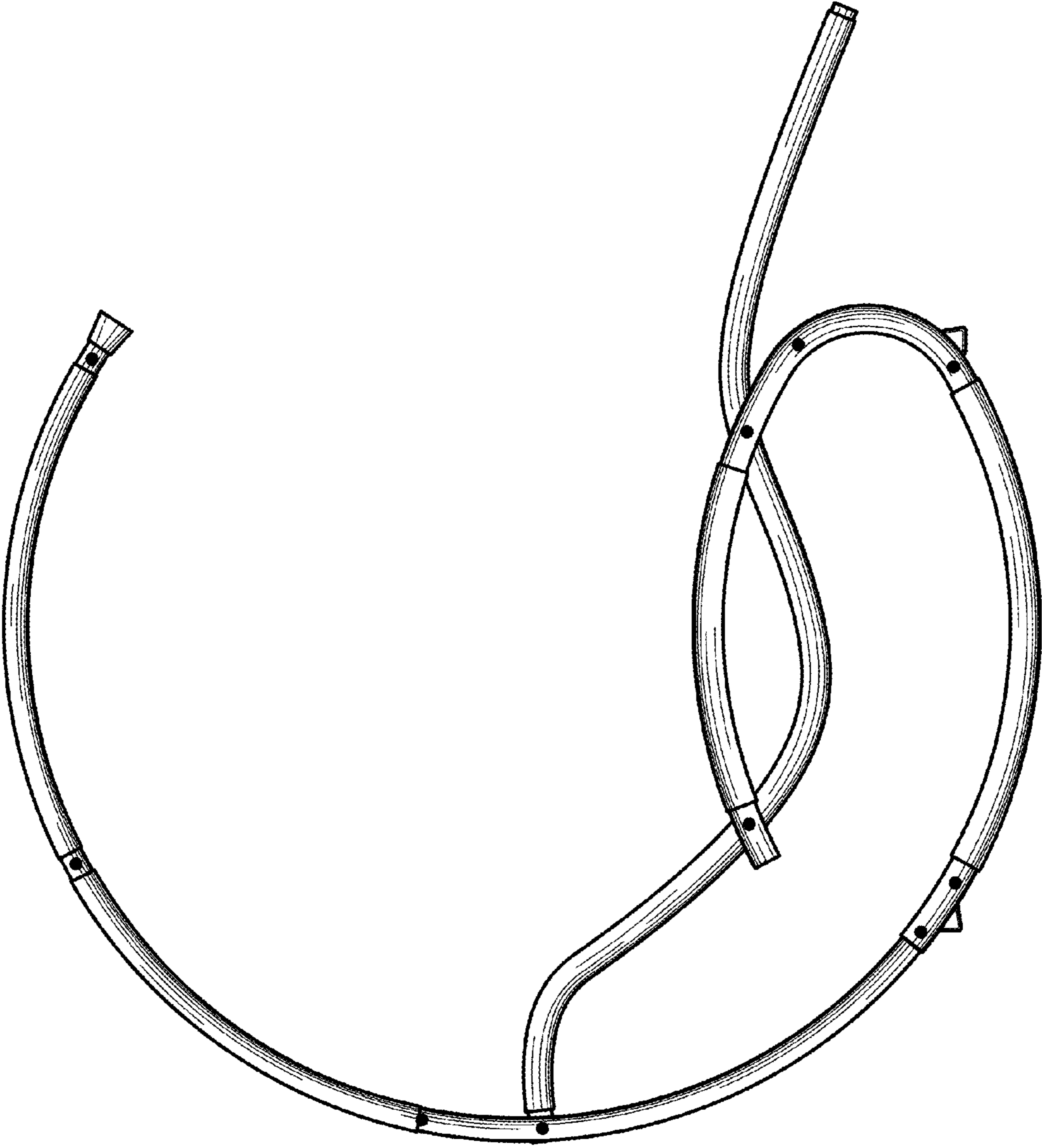


FIG. 3

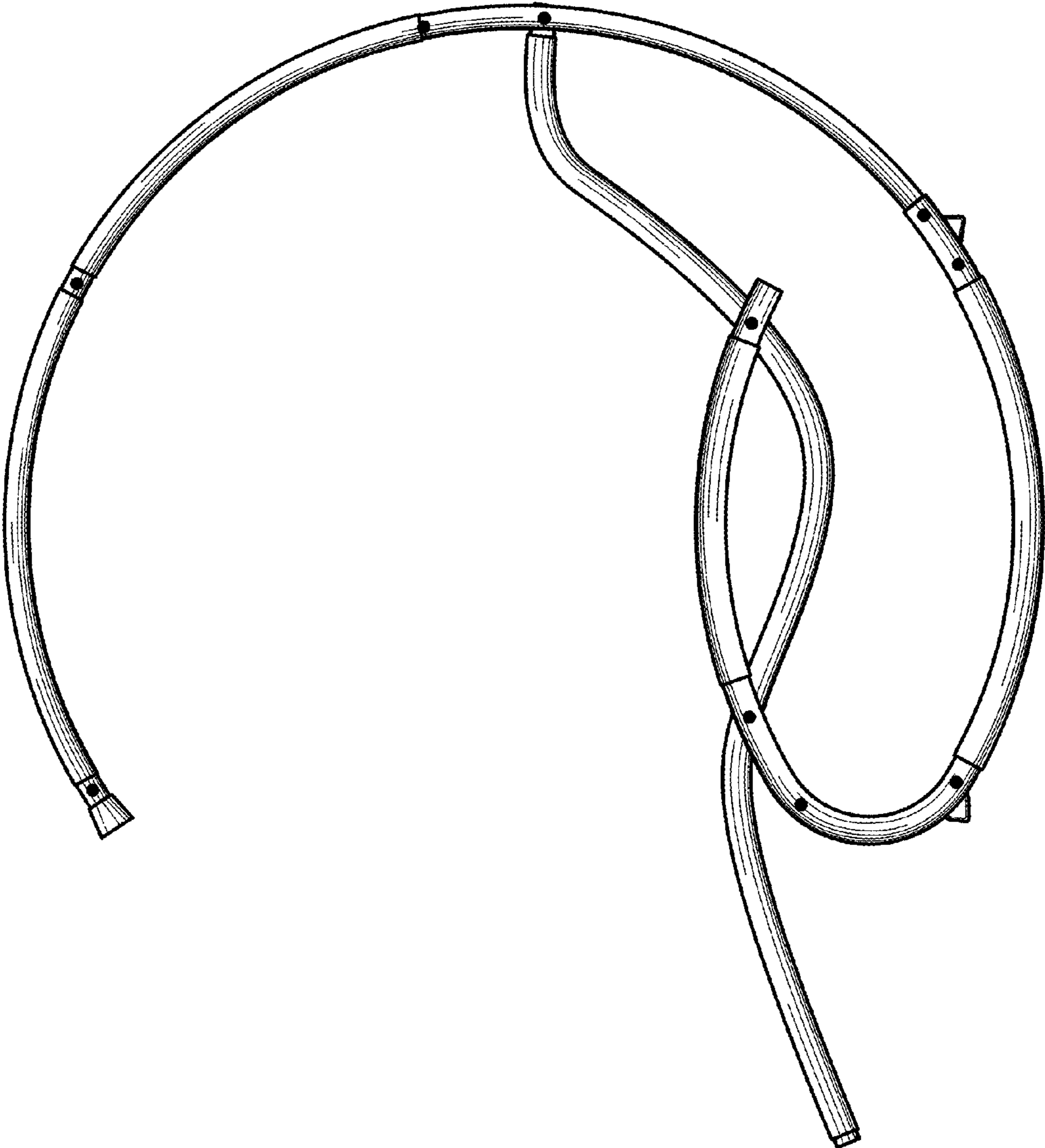


FIG. 4



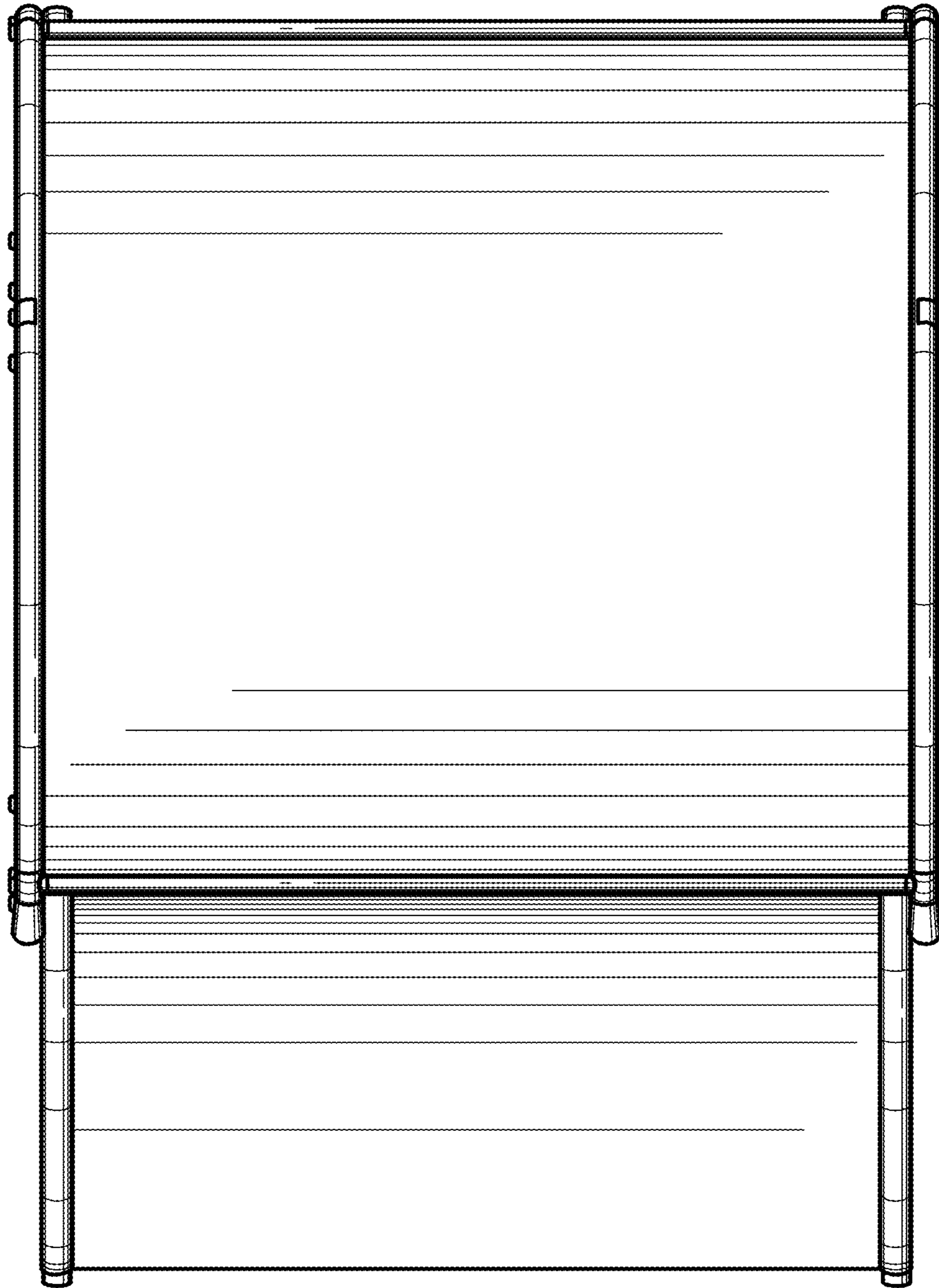


FIG. 5

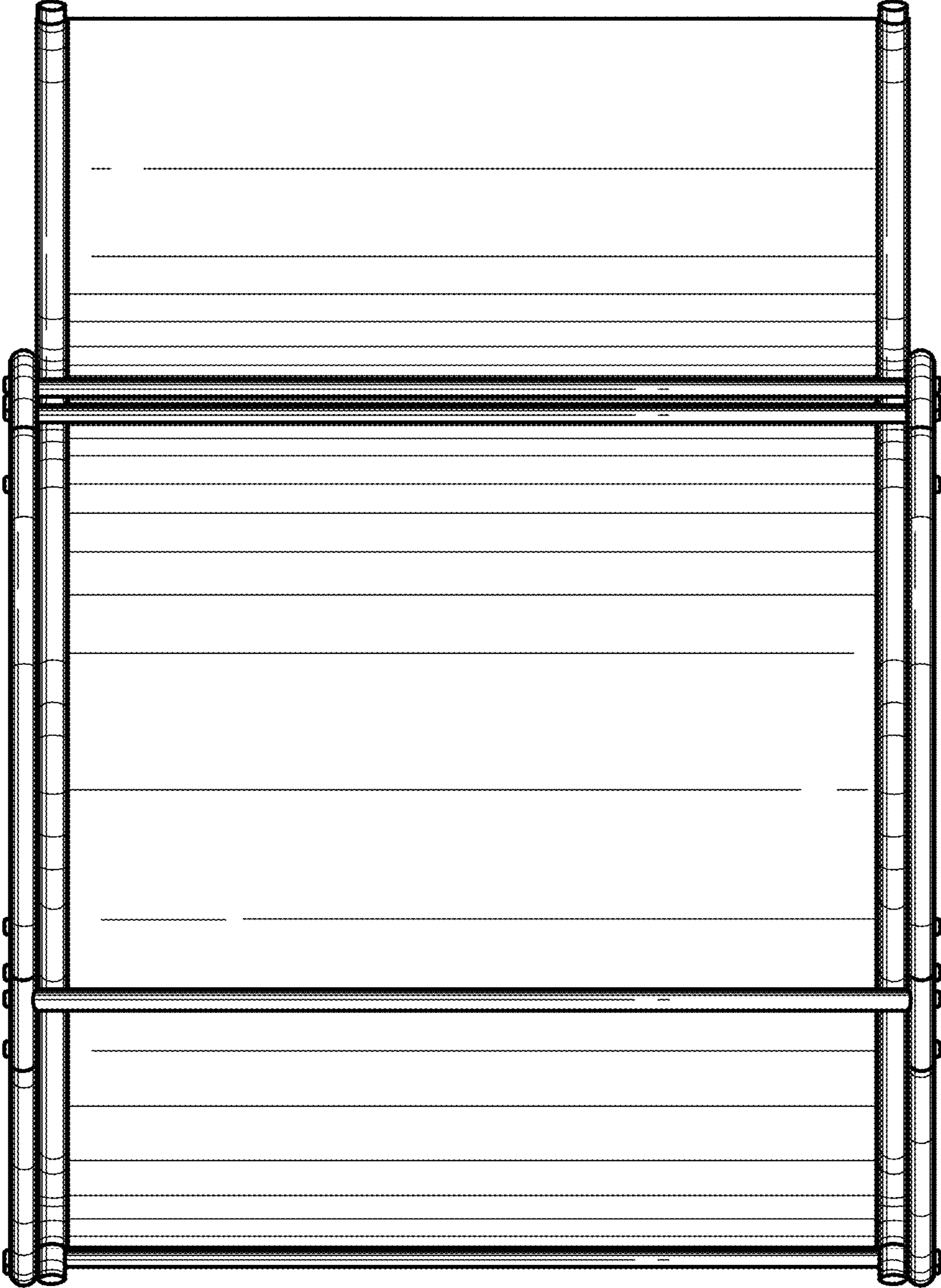


FIG. 6

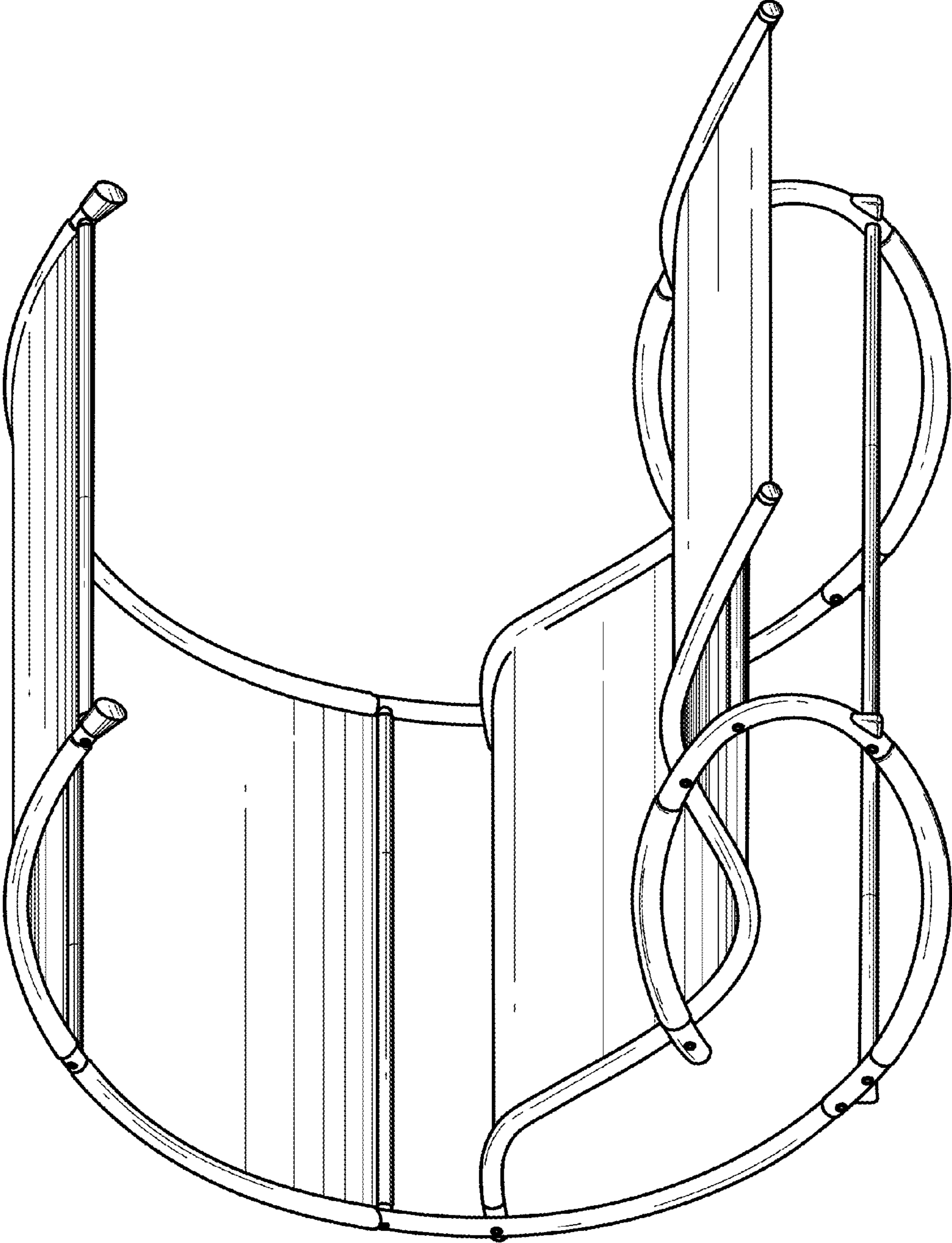


FIG. 7