



US00D728948S

(12) **United States Design Patent**  
**Thuma et al.**

(10) **Patent No.:** **US D728,948 S**

(45) **Date of Patent:** **\*\* May 12, 2015**

(54) **SWIVEL CHAIR WITH UNDERSEAT STORAGE**

(71) Applicant: **Suncast Technologies, LLC**, Palm Beach Gardens, FL (US)

(72) Inventors: **Michael Thuma**, La Grange, IL (US); **Torrence Anderson**, Overland Park, KS (US); **Michael R. Vogler**, Oswego, IL (US)

(73) Assignee: **Suncast Technologies, LLC**, Palm Beach Gardens, FL (US)

(\*\*) Term: **14 Years**

(21) Appl. No.: **29/510,318**

(22) Filed: **Nov. 26, 2014**

(51) **LOC (10) Cl.** ..... **06-01**

(52) **U.S. Cl.**  
USPC ..... **D6/336**

(58) **Field of Classification Search**  
USPC ..... D6/334, 335, 336, 379, 381, 369, 349, D6/364, 380; 297/94, 118, 232, 445.1, 297/448.1, DIG. 7

See application file for complete search history.

(56) **References Cited**

U.S. PATENT DOCUMENTS

986,686	A	*	3/1911	Carney	.....	297/123
D204,451	S	*	4/1966	Straits	.....	D6/379
D291,846	S	*	9/1987	Conn	.....	D6/344
D295,583	S	*	5/1988	Conn	.....	D6/364
D299,986	S	*	2/1989	Doughty	.....	D6/344
D300,090	S	*	3/1989	Frinier	.....	D6/344
D354,173	S	*	1/1995	Escobal et al.	.....	D6/335
5,599,064	A	*	2/1997	Vanderminden, Sr.	..	297/344.21
5,902,009	A	*	5/1999	Singh et al.	.....	297/188.1
D414,947	S	*	10/1999	Liu	.....	D6/344
D422,422	S	*	4/2000	Black	.....	D6/369
D427,788	S	*	7/2000	Paul	.....	D6/336
D432,322	S	*	10/2000	Mandell	.....	D6/336

D446,956	S	*	8/2001	Black	.....	D6/369
D448,940	S	*	10/2001	Chi	.....	D6/365
D457,342	S	*	5/2002	Muller	.....	D6/370
6,827,401	B2	*	12/2004	Marshall et al.	.....	297/302.1
D509,075	S	*	9/2005	Katz et al.	.....	D6/336
D528,316	S	*	9/2006	Tseng	.....	D6/365
D530,934	S	*	10/2006	Tseng	.....	D6/365
D539,556	S	*	4/2007	Doughty	.....	D6/369
D547,079	S	*	7/2007	Wang et al.	.....	D6/369
D557,030	S	*	12/2007	Wang et al.	.....	D6/369
D557,919	S	*	12/2007	Rech	.....	D6/369
D579,217	S	*	10/2008	Cramer et al.	.....	D6/334
D586,131	S	*	2/2009	Cramer et al.	.....	D6/334
D588,370	S	*	3/2009	Vallet et al.	.....	D6/365
D597,336	S	*	8/2009	Anderson et al.	.....	D6/381
D626,250	S	*	10/2010	Wenderow et al.	.....	D24/234
D644,846	S	*	9/2011	Ciani et al.	.....	D6/334
D654,285	S	*	2/2012	Ballendat	.....	D6/379
D657,966	S	*	4/2012	Foersom et al.	.....	D6/334
D658,395	S	*	5/2012	Foersom et al.	.....	D6/334
D664,778	S	*	8/2012	Pheasant et al.	.....	D6/334

(Continued)

Primary Examiner — Sandra Snapp

(74) Attorney, Agent, or Firm — McHale & Slavin P.A.

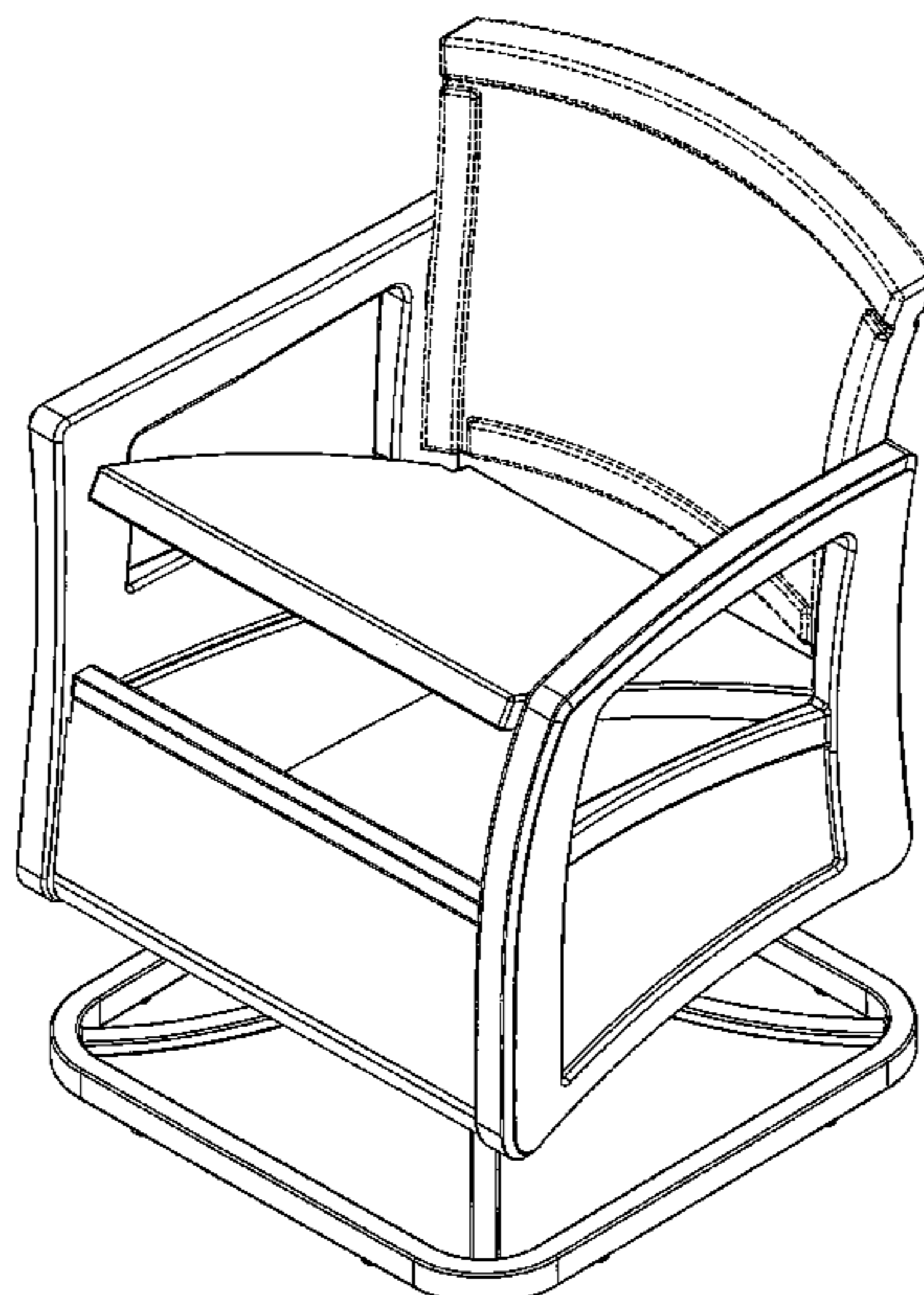
(57) **CLAIM**

The ornamental design for a swivel chair with underseat storage, as shown and described.

**DESCRIPTION**

FIG. 1 is a top left perspective view of the swivel chair with underseat storage of the present invention; FIG. 2 is a front view thereof; FIG. 3 is a left side view thereof; FIG. 4 is a right side view thereof; FIG. 5 is a top view thereof; FIG. 6 is a top right perspective view thereof; and, FIG. 7 is a top right perspective view thereof, illustrated with the seat in an open position. The portions of the swivel chair with underseat storage illustrated in broken lines form no part of the claimed subject matter.

**1 Claim, 7 Drawing Sheets**



# US D728,948 S

Page 2

---

(56)

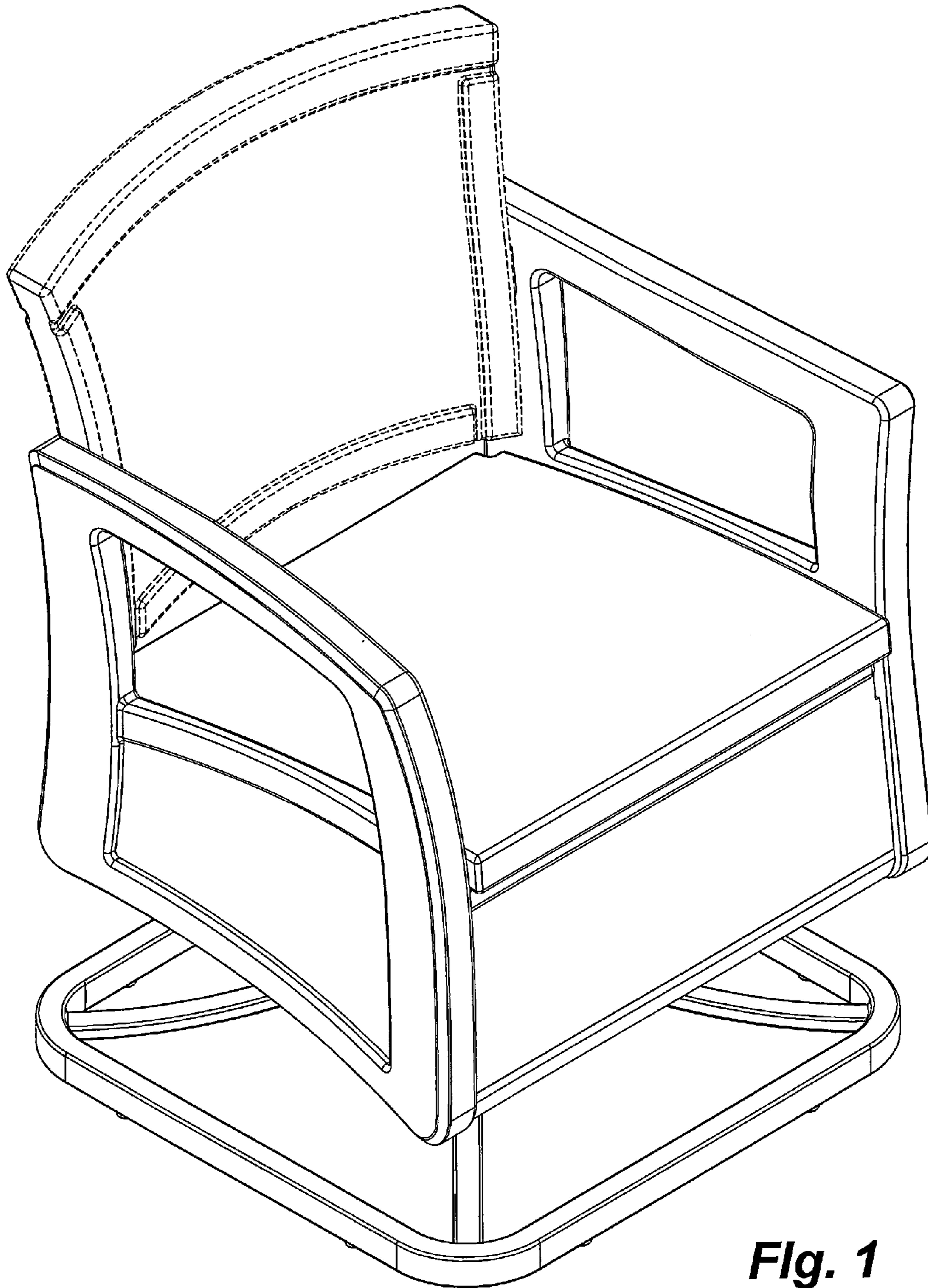
## References Cited

### U.S. PATENT DOCUMENTS

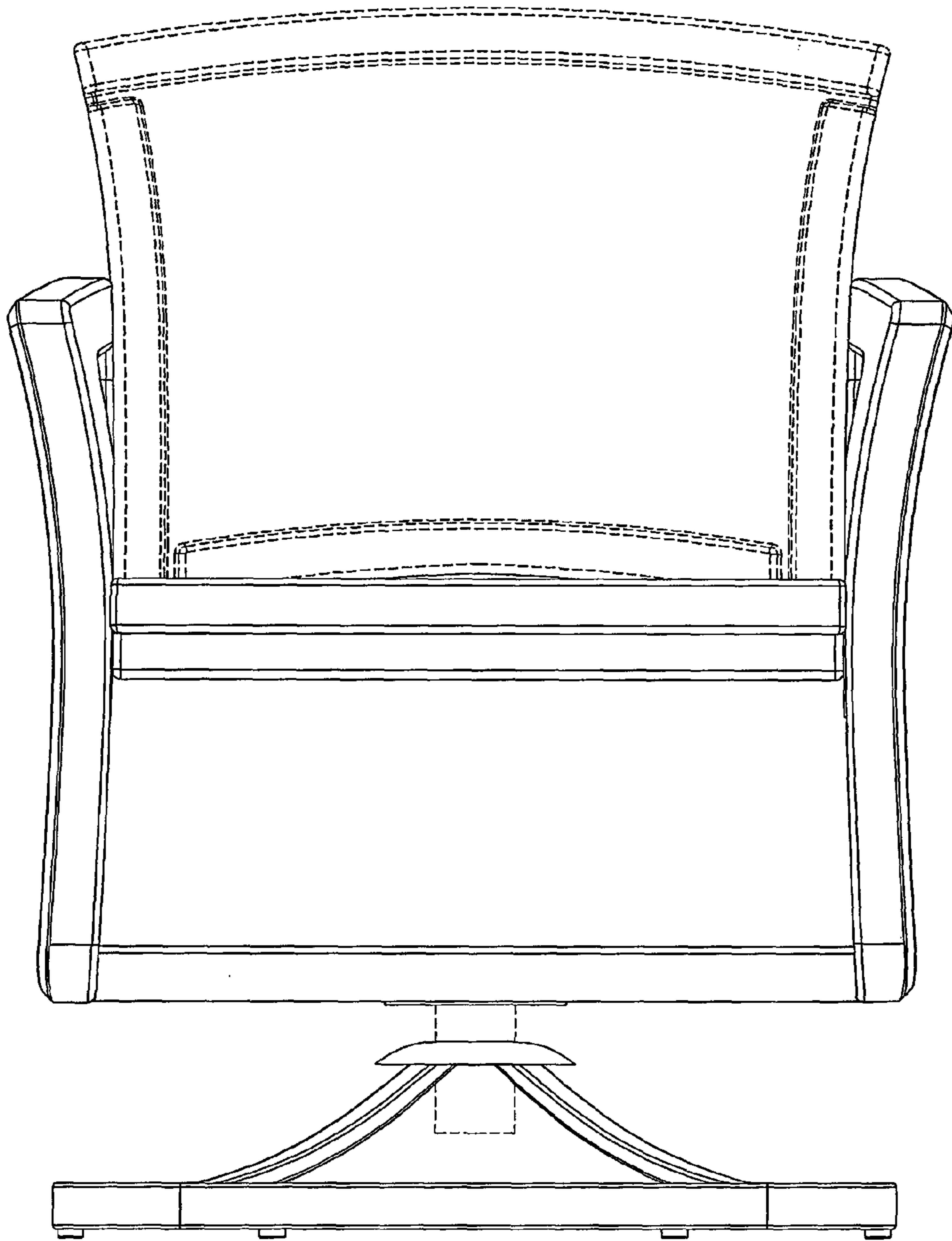
D664,784 S \* 8/2012 Adir ..... D6/369  
D687,233 S \* 8/2013 Pedersen et al. .... D6/369  
D690,145 S \* 9/2013 Pedersen et al. .... D6/716

D693,591 S \* 11/2013 Pedersen et al. .... D6/379  
D694,546 S \* 12/2013 George ..... D6/381  
D698,562 S \* 2/2014 Hartman et al. .... D6/369  
D702,051 S \* 4/2014 Rasenberg et al. .... D6/334  
D706,052 S \* 6/2014 Arnon et al. .... D6/369

\* cited by examiner

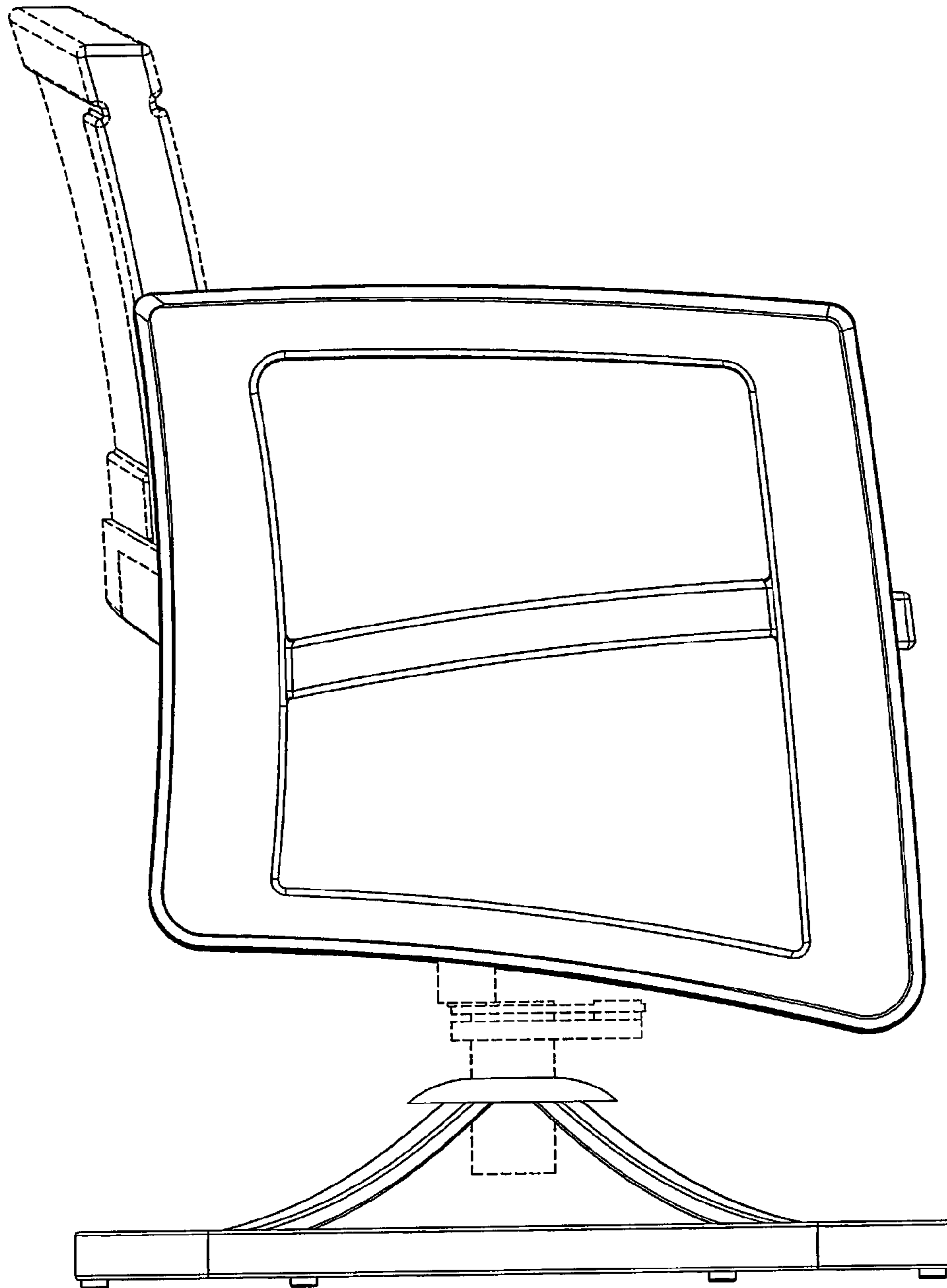


**Fig. 1**

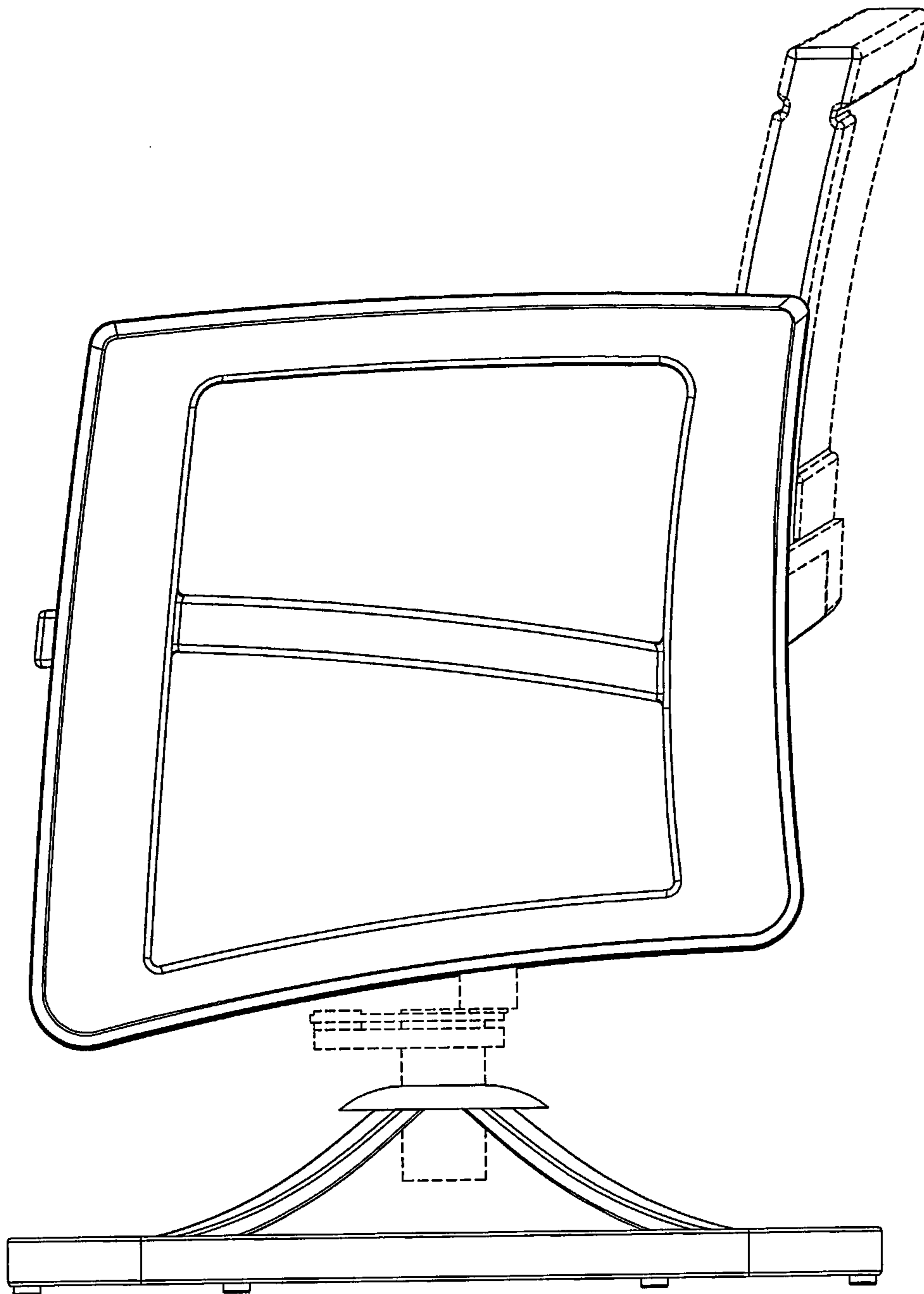


**Fig. 2**

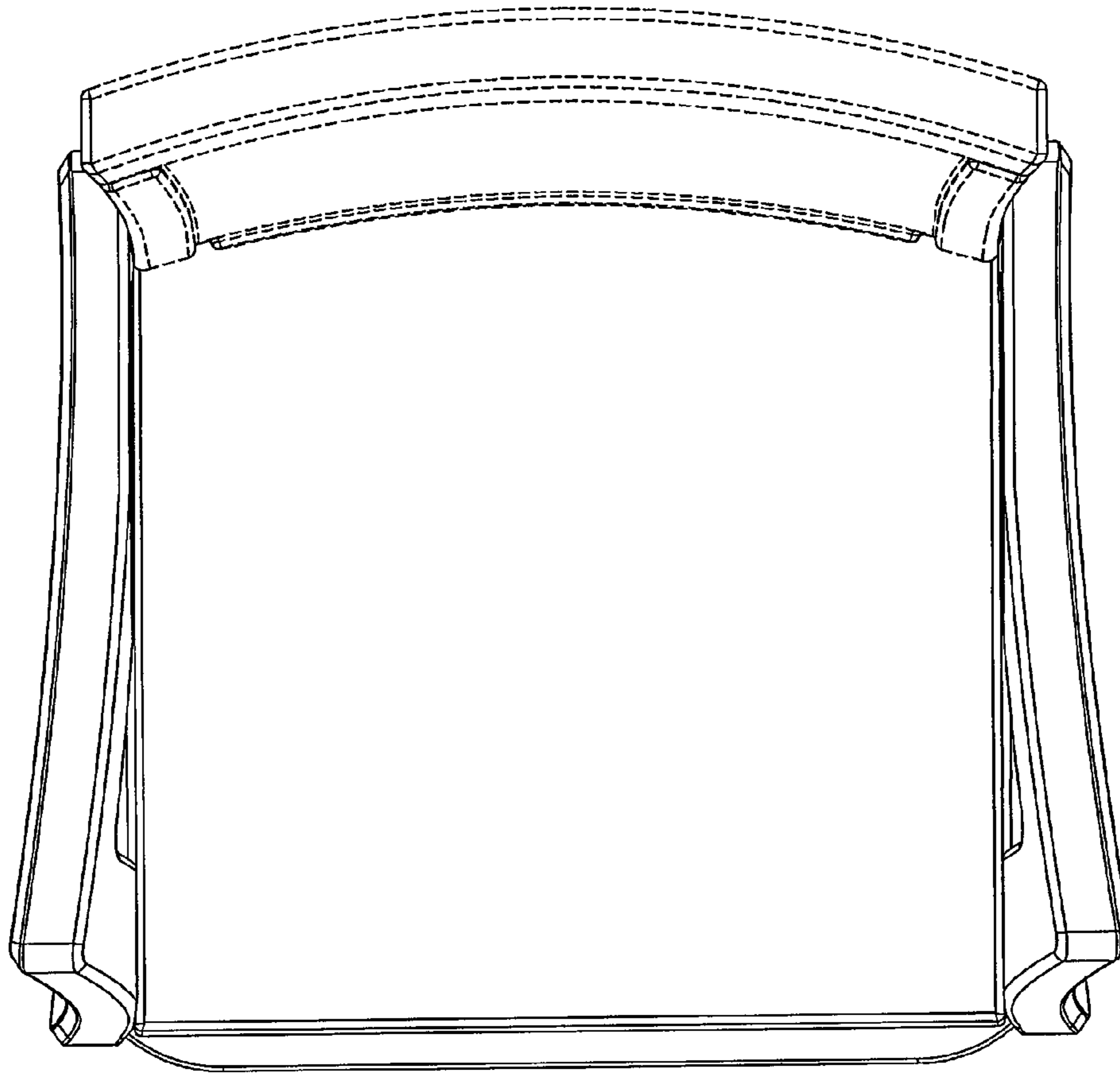




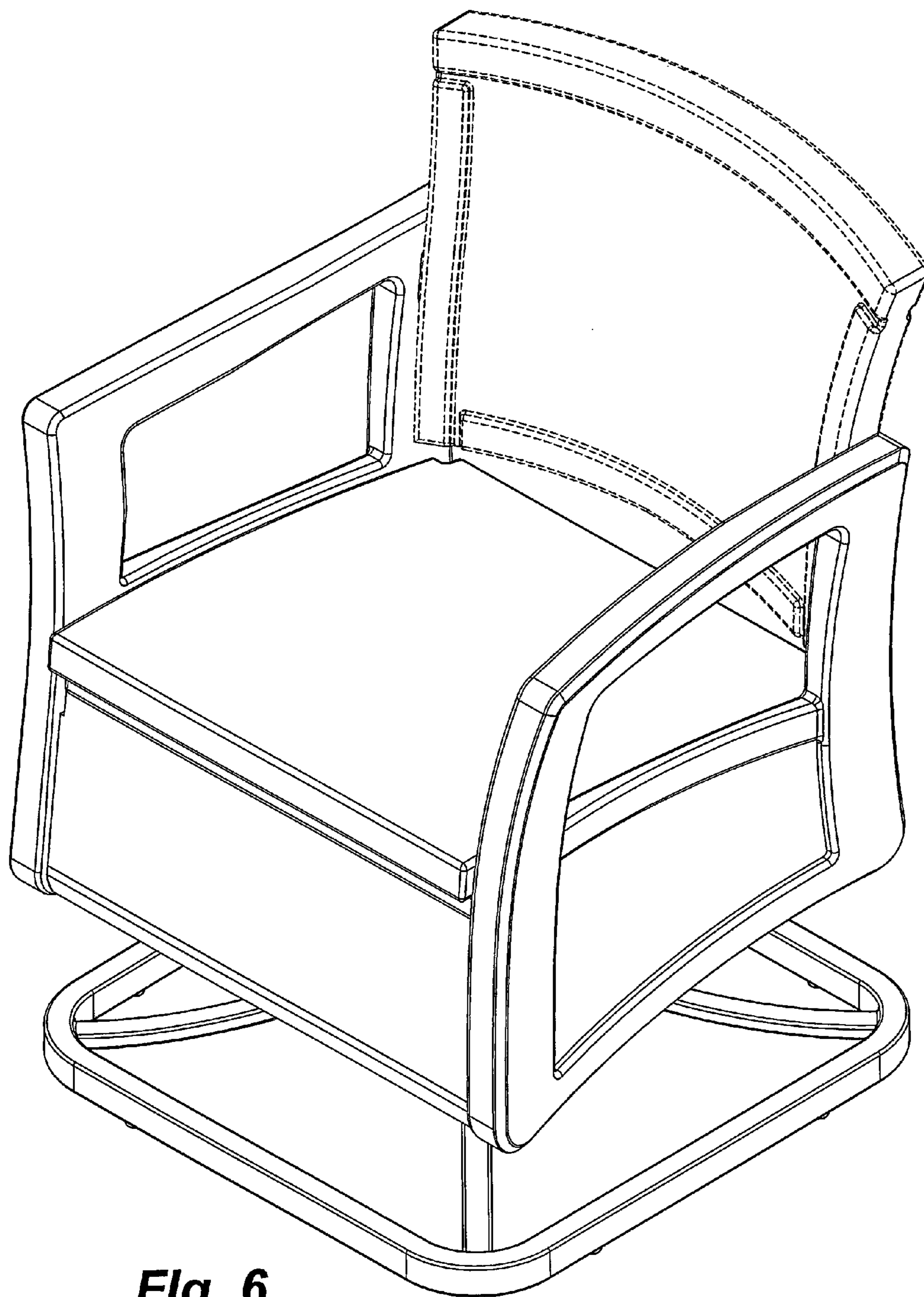
**Fig. 3**



**Fig. 4**

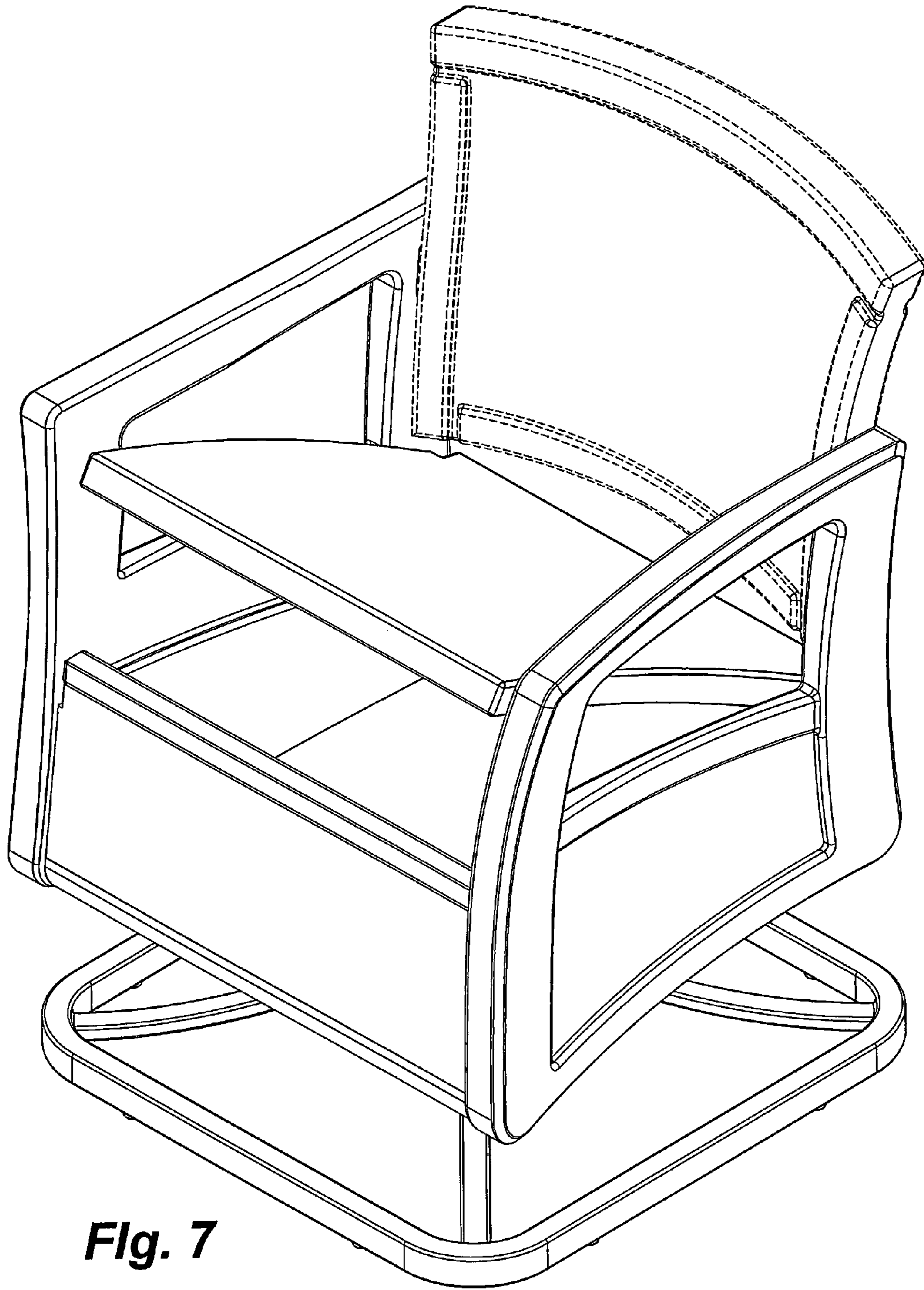


***Fig. 5***



**Fig. 6**





**Fig. 7**