



US00D728945S

(12) **United States Design Patent**  
**Neal**

(10) **Patent No.:** **US D728,945 S**

(45) **Date of Patent:** **\*\* May 12, 2015**

(54) **ANGLED PAINT ROLLER**

(71) Applicant: **Tony R. Neal**, Calhoun, LA (US)

(72) Inventor: **Tony R. Neal**, Calhoun, LA (US)

(\*\*) Term: **14 Years**

(21) Appl. No.: **29/500,658**

(22) Filed: **Aug. 27, 2014**

(51) **LOC (10) Cl.** ..... **04-01**

(52) **U.S. Cl.**

USPC ..... **D4/122**

(58) **Field of Classification Search**

CPC ..... B05C 1/00; B05C 1/02; B05C 17/0205;  
B44D 2/00

USPC ..... D4/122, 138; 15/27, 104.001, 104.002,  
15/230.11; 492/13, 16-19

See application file for complete search history.

(56) **References Cited**

**U.S. PATENT DOCUMENTS**

|           |     |         |                 |           |
|-----------|-----|---------|-----------------|-----------|
| 2,788,539 | A   | 4/1957  | Santina         |           |
| 2,799,884 | A * | 7/1957  | Bedford         | 15/230.11 |
| 2,813,292 | A * | 11/1957 | McLendon        | 15/230.11 |
| 2,824,328 | A * | 2/1958  | Bedford         | 15/230.11 |
| 2,904,813 | A   | 9/1959  | Schleicher      |           |
| 3,358,312 | A * | 12/1967 | Parr            | 15/230.11 |
| 3,562,837 | A * | 2/1971  | Baginski et al. | 5/230.11  |
| 3,649,986 | A * | 3/1972  | Dahlund         | 15/230.11 |
| 4,335,484 | A   | 6/1982  | Ridge et al.    |           |

|           |      |         |                  |            |
|-----------|------|---------|------------------|------------|
| 5,035,022 | A    | 7/1991  | Iuliano et al.   |            |
| 5,386,611 | A    | 2/1995  | Kim              |            |
| D405,958  | S *  | 2/1999  | Mollack          | D4/122     |
| 6,000,090 | A *  | 12/1999 | Sutherland       | 15/230.11  |
| 6,957,470 | B2   | 10/2005 | Rivadeneira      |            |
| 7,707,678 | B2 * | 5/2010  | Major            | 15/230.11  |
| 8,109,313 | B2 * | 2/2012  | Rosso et al.     | 156/574    |
| 8,225,448 | B2 * | 7/2012  | Vasilakes et al. | 15/104.002 |
| D677,903  | S *  | 3/2013  | Boukair          | D4/122     |
| D695,018  | S *  | 12/2013 | Gallardo         | D4/122     |
| 8,819,886 | B1 * | 9/2014  | Boukair          | 15/230.11  |
| 8,832,897 | B2 * | 9/2014  | Gallardo         | 15/230.11  |

\* cited by examiner

*Primary Examiner* — Austin Murphy

(74) *Attorney, Agent, or Firm* — R. Keith Harrison

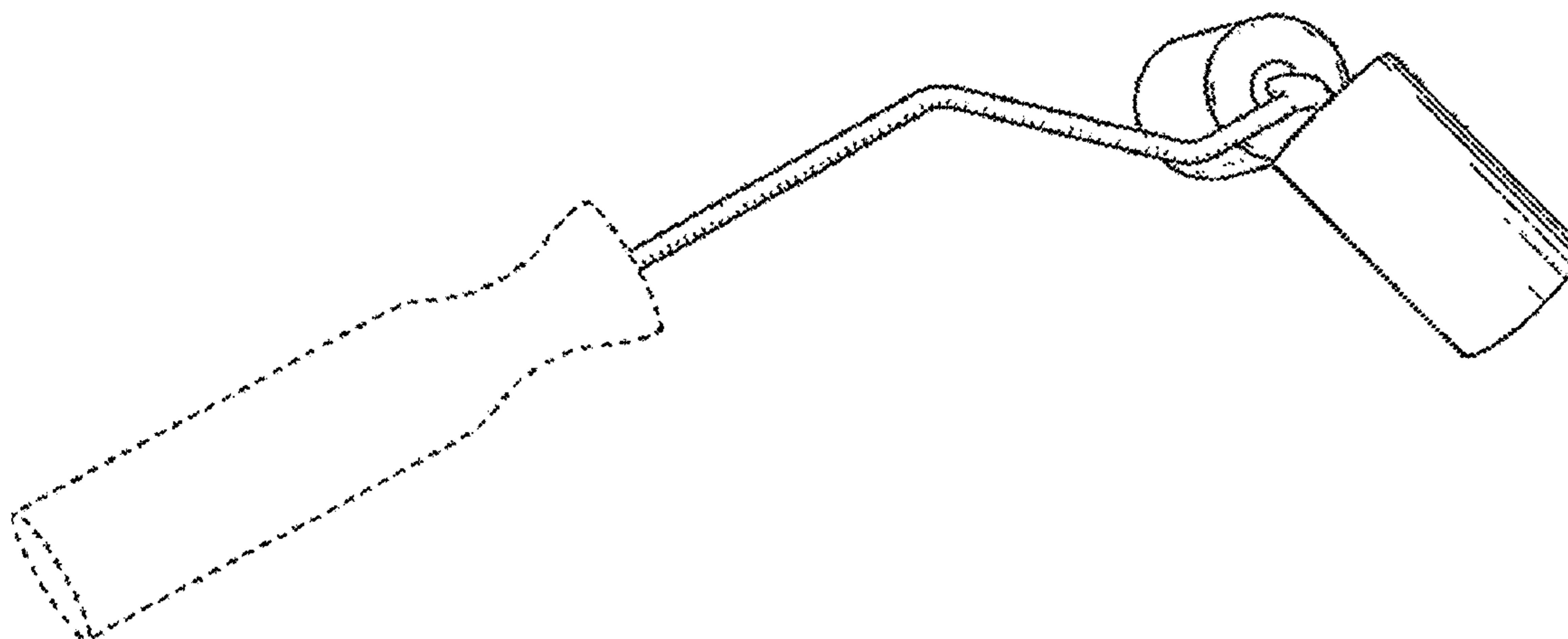
(57) **CLAIM**

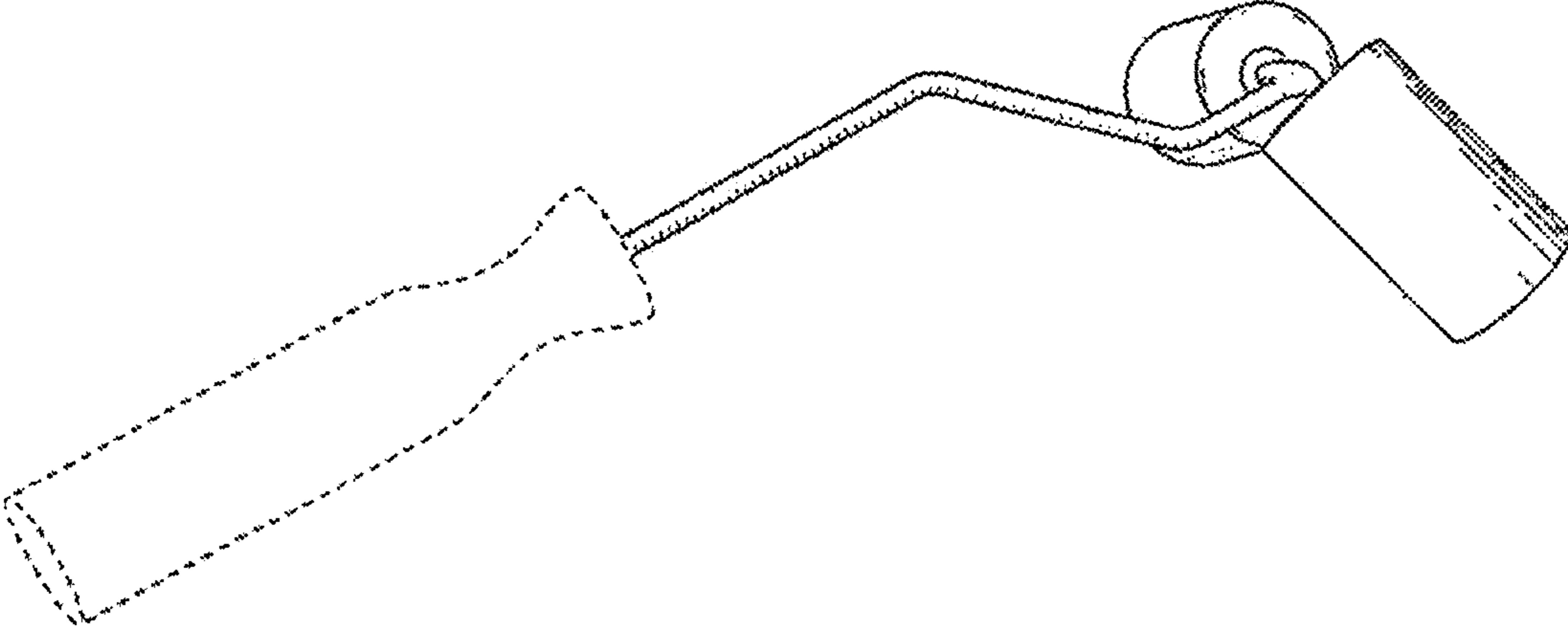
The ornamental design for an angled paint roller, as shown and described.

**DESCRIPTION**

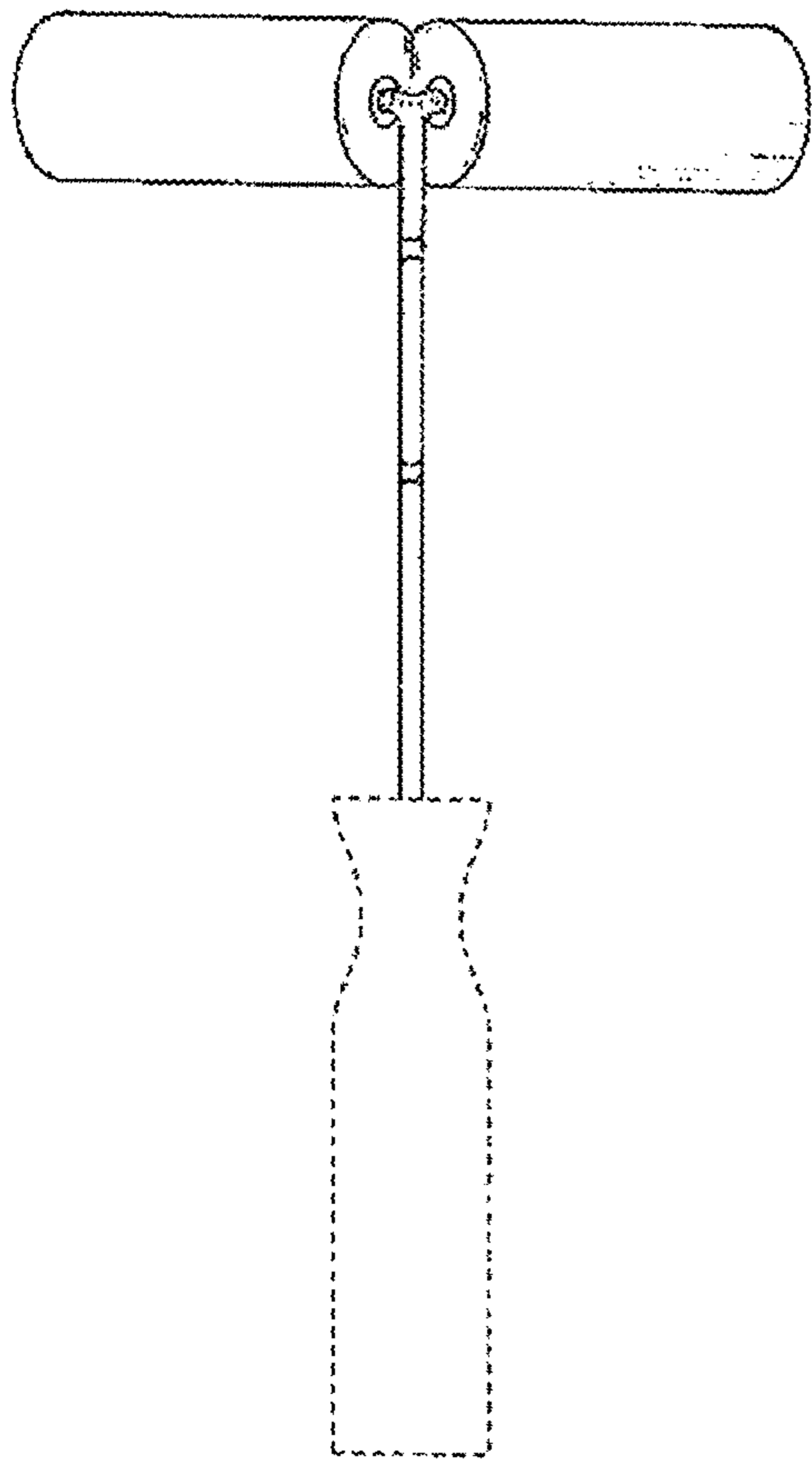
FIG. 1 is a side perspective view of the angled paint roller; FIG. 2 is a top view of the angled paint roller; FIG. 3 is a bottom view of the angled paint roller; FIG. 4 is a left side view of the angled paint roller, the right side view of the angled paint roller being a mirror image of the left side view; and, FIG. 5 is a front view of the angled paint roller. The broken line showing of a handle in FIGS. 1-5 is included for the purpose of illustrating only and forms no part of the claimed design.

**1 Claim, 3 Drawing Sheets**

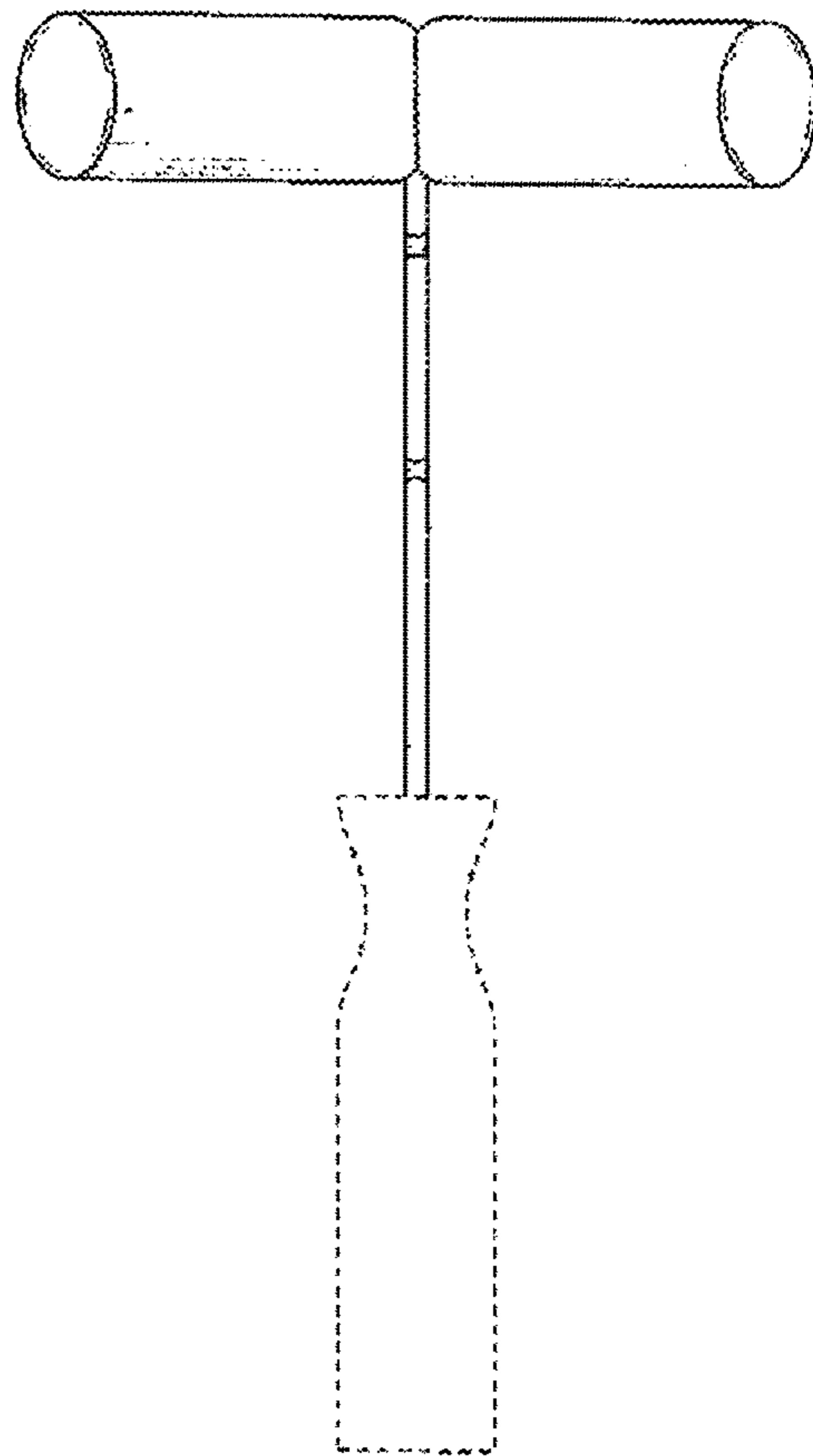




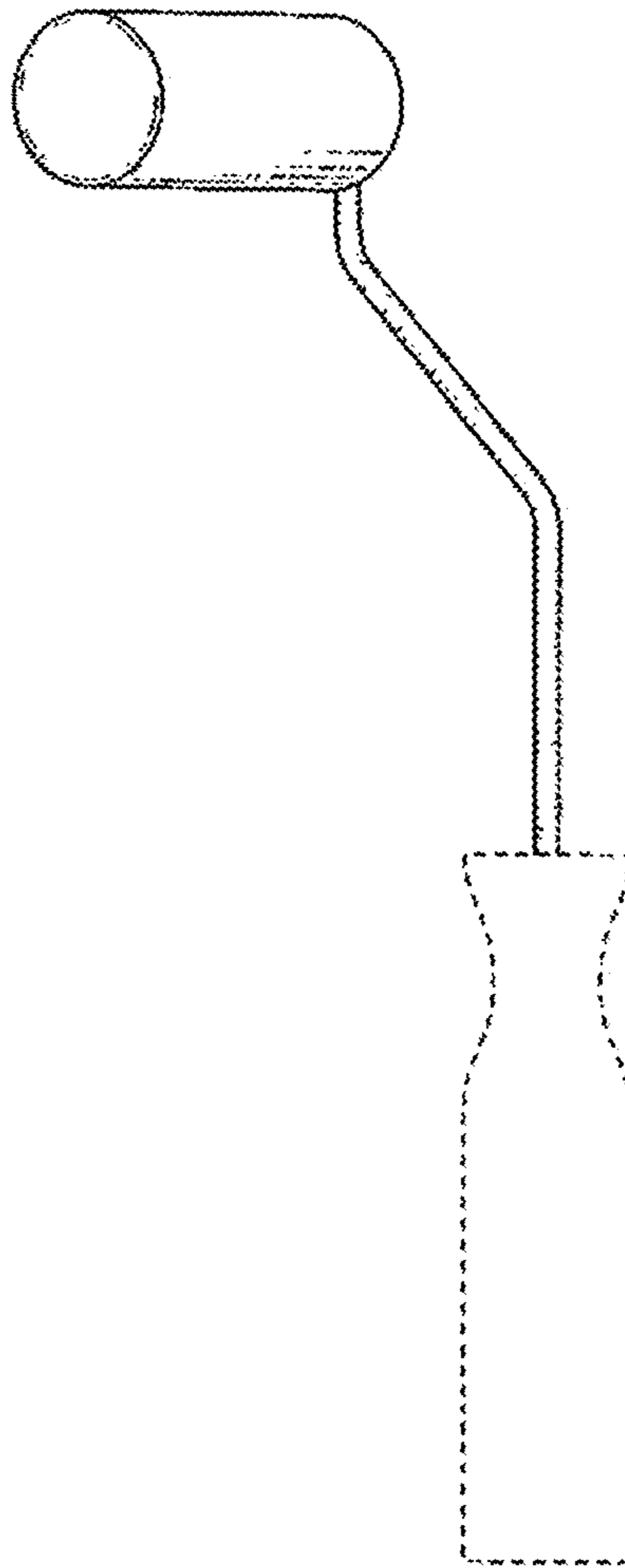
**FIG. 1**



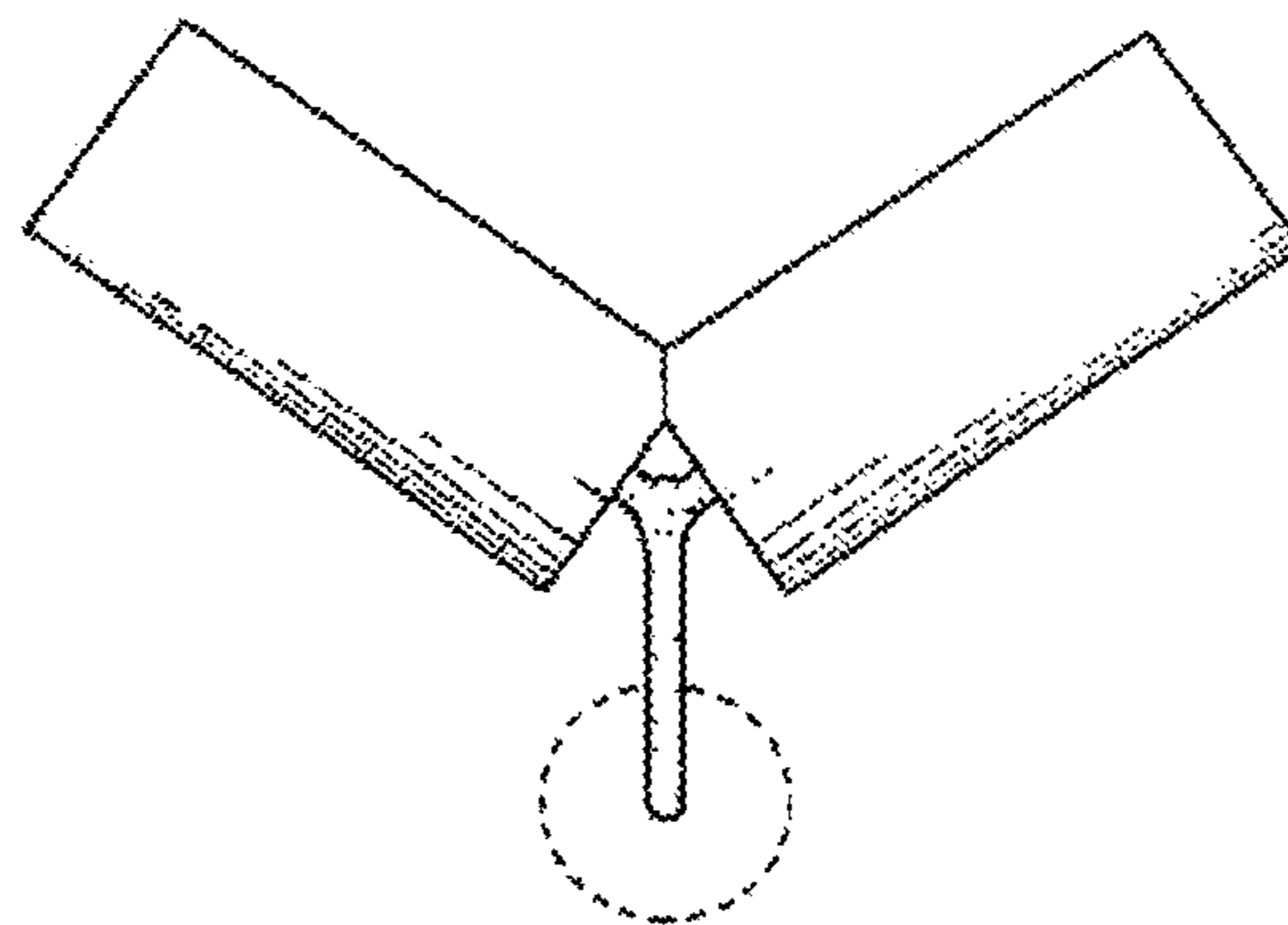
**FIG. 2**



**FIG. 3**



**FIG. 4**



**FIG. 5**