

US00D728943S

(12) **United States Design Patent**
Carpentier

(10) **Patent No.:** **US D728,943 S**
(45) **Date of Patent:** **** May 12, 2015**

(54) **ROTATING BRUSH**
(71) Applicant: **Scott Carpentier**, Clearwater, FL (US)
(72) Inventor: **Scott Carpentier**, Clearwater, FL (US)
(**) Term: **14 Years**
(21) Appl. No.: **29/491,280**
(22) Filed: **May 20, 2014**
(51) **LOC (10) Cl.** **04-02**
(52) **U.S. Cl.**
USPC **D4/102; D4/120; D4/127**
(58) **Field of Classification Search**
CPC A46B 13/00; A46B 13/008; A46B 13/026;
A46B 13/08; A46B 2200/30; A46B 2200/306;
A46B 2200/3073; A47L 13/10; A47L 13/12;
A47L 13/16; A47L 23/00; A47L 23/02;
A47L 23/04; A47L 23/05; A47L 23/06;
A47L 23/08; A61H 2205/022
USPC D4/102, 119, 120, 127, 130, 137;
D28/7, 63; 15/28, 29, 107, 114, 118,
15/179, 180
See application file for complete search history.

4,791,694 A 12/1988 Itaya
5,188,472 A * 2/1993 Sgro 401/124
5,347,673 A 9/1994 Nickels, Jr.
D378,002 S 2/1997 Hung
D434,567 S * 12/2000 Chen D4/119
6,342,002 B1 1/2002 Wang
D505,749 S * 5/2005 Angeletta D28/7
7,022,004 B2 4/2006 Bohler
2004/0198202 A1 10/2004 Leonard
2011/0195646 A1 8/2011 Kim

FOREIGN PATENT DOCUMENTS

FR 75333 E * 6/1961 A46B 11/0006
GB 240066 A * 9/1925 A46B 11/00
JP 53021648 A * 2/1978 A47K 7/02
KR 101143173 B1 * 5/2012

* cited by examiner
Primary Examiner — Melanie H Tung
Assistant Examiner — Lavone D Tabor

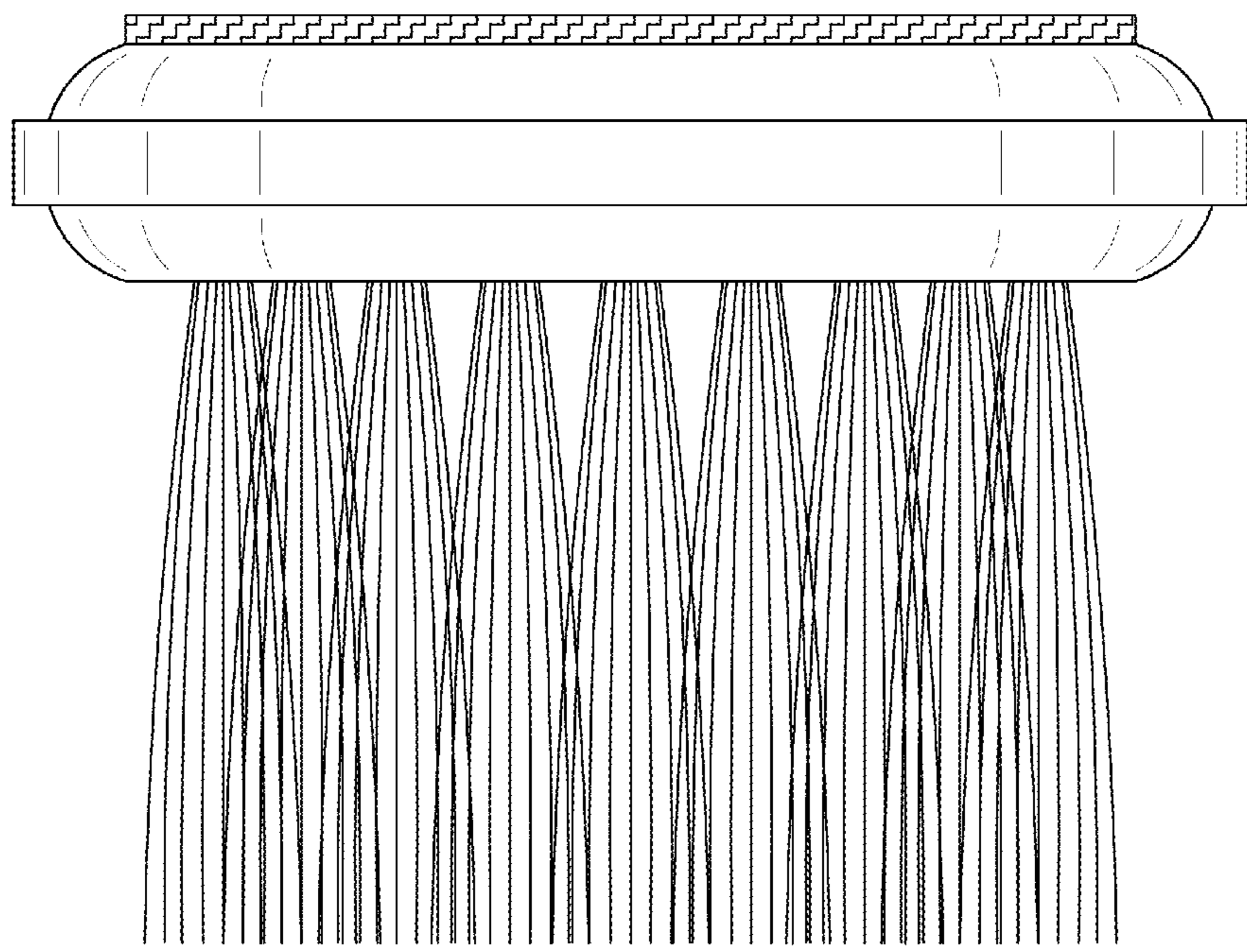
(57) **CLAIM**
I claim the ornamental design for the rotating brush, as shown and described.

DESCRIPTION

FIG. 1 is a front view of the rotating brush.
FIG. 2 is a top view of the claimed design.
FIG. 3 is a bottom view of the claimed design; and,
FIG. 4 is a perspective view of the claimed design.

1 Claim, 4 Drawing Sheets

(56) **References Cited**
U.S. PATENT DOCUMENTS
D46,240 S * 8/1914 Williams D24/211
1,351,723 A * 8/1920 Marchione 401/278
D266,116 S * 9/1982 Deconinck D4/127
D295,253 S 4/1988 Ashworth



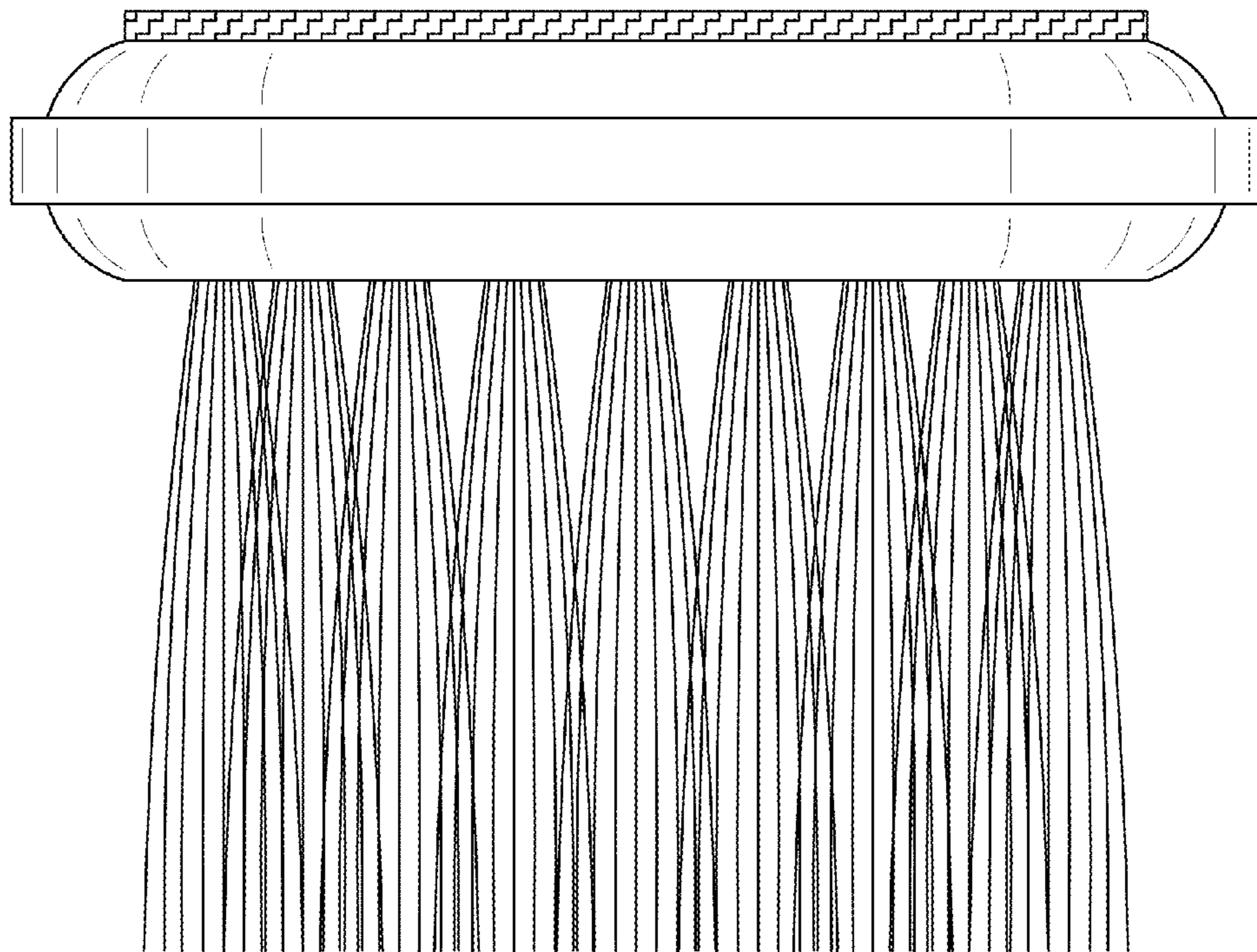


FIG. 1

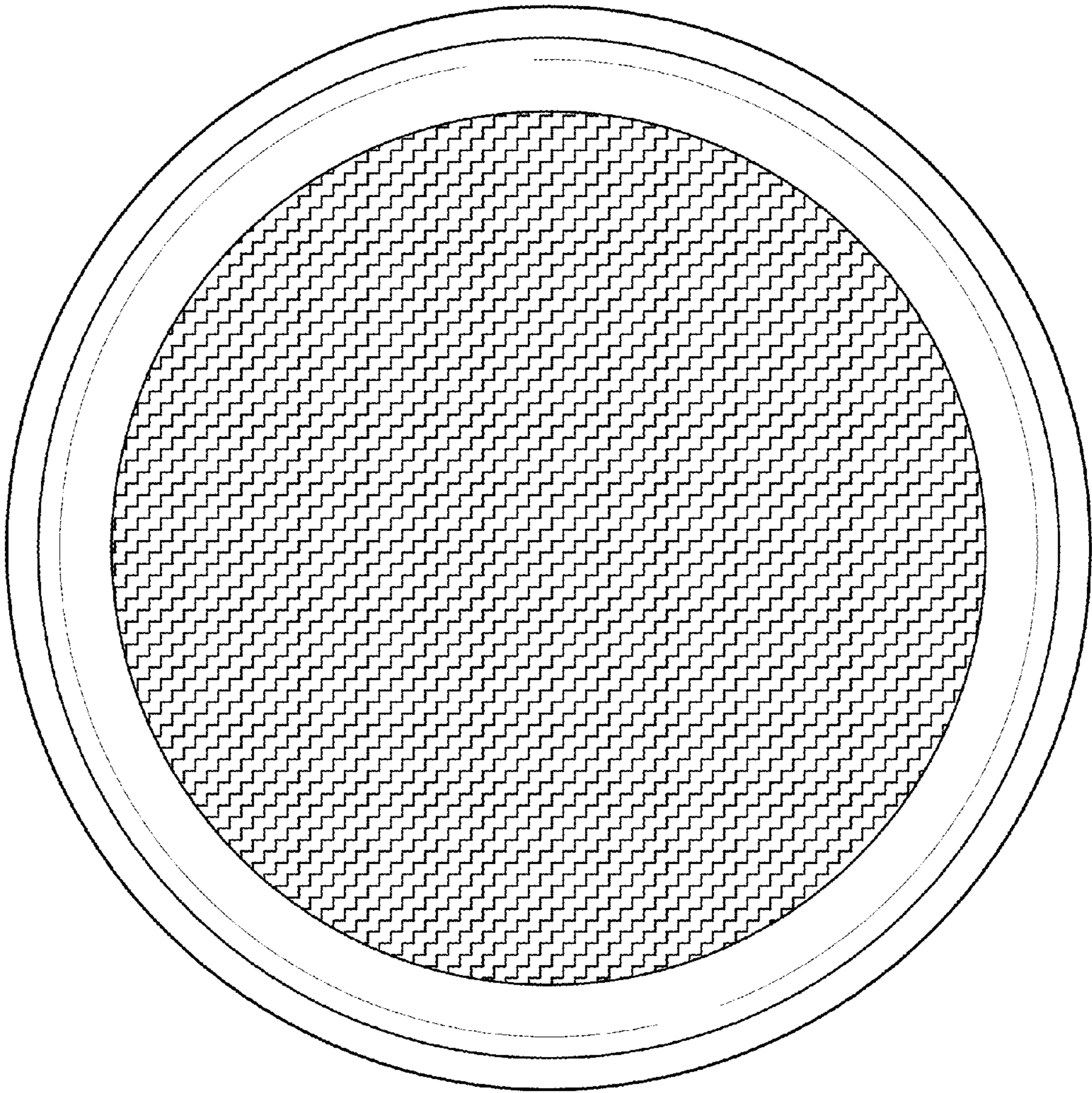


FIG. 2

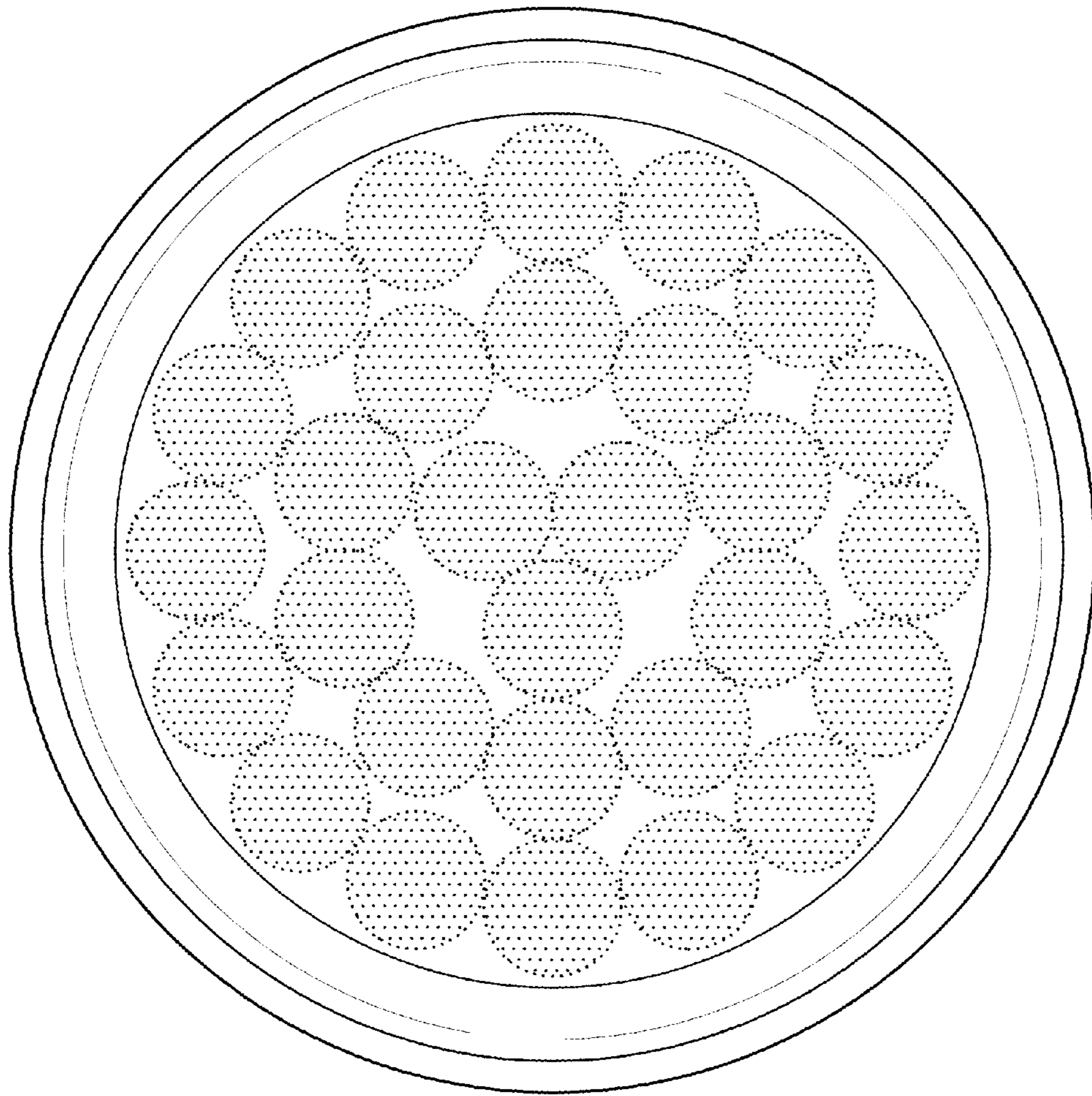


FIG. 3

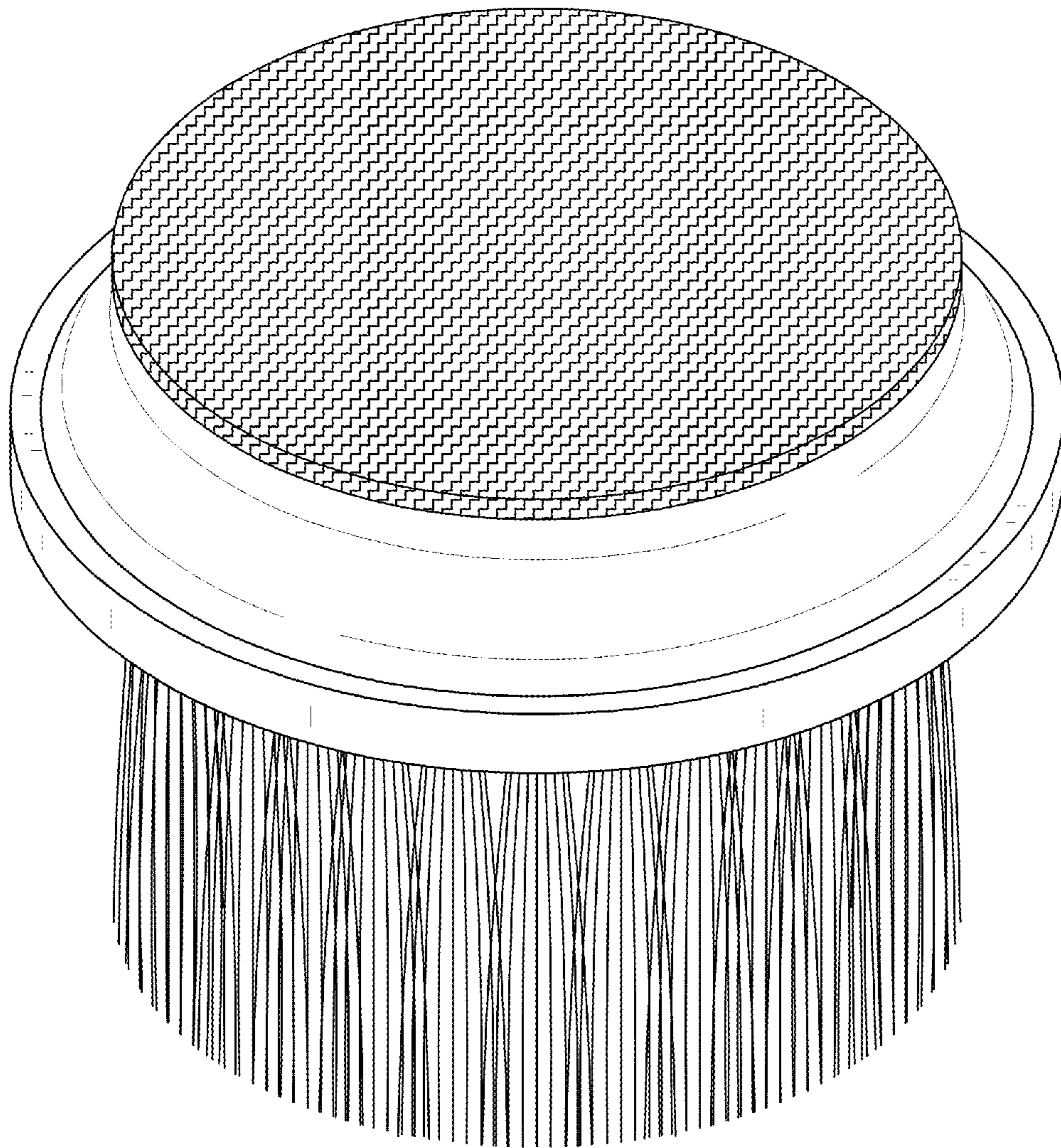


FIG. 4