



US00D728941S

(12) **United States Design Patent**  
**Stoeckmann**

(10) **Patent No.:** **US D728,941 S**

(45) **Date of Patent:** **\*\* May 12, 2015**

(54) **JEWELRY LAYOUT TRAY**

(71) Applicant: **Charming Trays, LLC**, Pewaukee, WI  
(US)

(72) Inventor: **Andreas Stoeckmann**, Pewaukee, WI  
(US)

(73) Assignee: **Charming Trays, LLC**, Pewaukee, WI  
(US)

(\*\*) Term: **14 Years**

(21) Appl. No.: **29/491,938**

(22) Filed: **May 27, 2014**

(51) **LOC (10) Cl.** ..... **03-01**

(52) **U.S. Cl.**  
USPC ..... **D3/313**

(58) **Field of Classification Search**  
USPC ..... D3/304, 313–314; D7/550–551,  
D7/553–555, 701, 708; D9/341, 347, 455;  
D24/227, 229, 230; 206/562–565;  
D6/469, 524, 527, 531, 535, 553, 567,  
D6/574; D19/75; 211/71, 74; 248/348,  
248/346.1

See application file for complete search history.

(56) **References Cited**

**U.S. PATENT DOCUMENTS**

D146,697 S \* 4/1947 Bates ..... D7/553.8  
2,986,438 A \* 5/1961 Smathers et al. .... 108/116  
D206,761 S \* 1/1967 Kirwan ..... D7/553.5  
D220,774 S \* 5/1971 Goings ..... D7/553.4  
4,219,144 A \* 8/1980 Hagelberg ..... 229/406

D333,237 S \* 2/1993 Plaut ..... D7/553.2  
D381,515 S \* 7/1997 Haynes ..... D3/313  
D393,543 S \* 4/1998 Wilkening et al. .... D3/313  
D396,953 S \* 8/1998 Iversen et al. .... D3/310  
D396,954 S \* 8/1998 Iversen et al. .... D3/313  
D396,955 S \* 8/1998 Iversen et al. .... D3/313  
D510,481 S \* 10/2005 Hodgson ..... D3/304  
D601,343 S \* 10/2009 Franczyk et al. .... D3/313  
D617,118 S \* 6/2010 Fojtasek ..... D6/476  
D634,541 S \* 3/2011 Gutierrez ..... D3/313  
D644,514 S \* 9/2011 Robins ..... D9/456  
D712,939 S \* 9/2014 Jeon et al. .... D15/89

\* cited by examiner

*Primary Examiner* — Kelley Donnelly

(74) *Attorney, Agent, or Firm* — Ryan Kromholz & Manion,  
S.C.

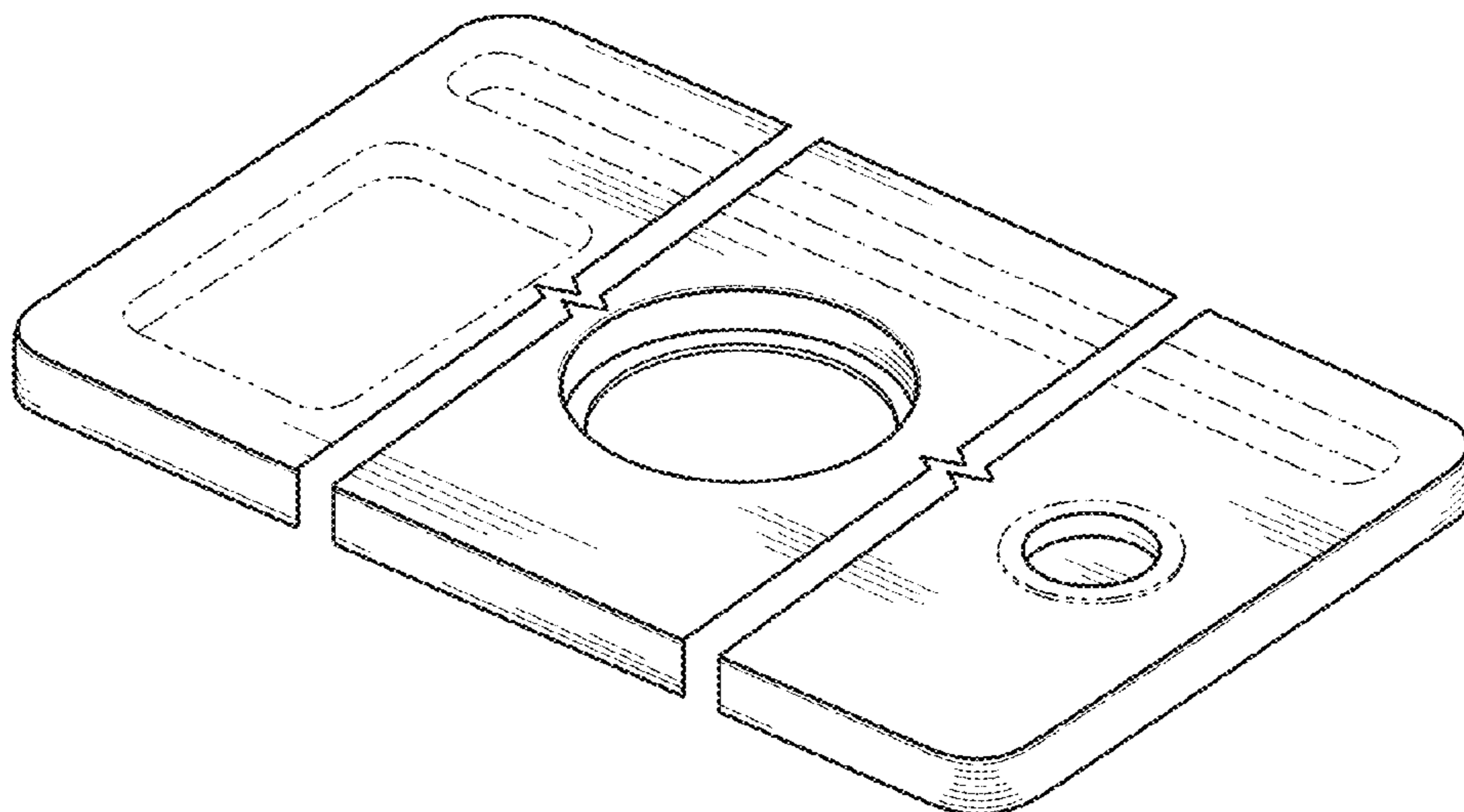
(57) **CLAIM**

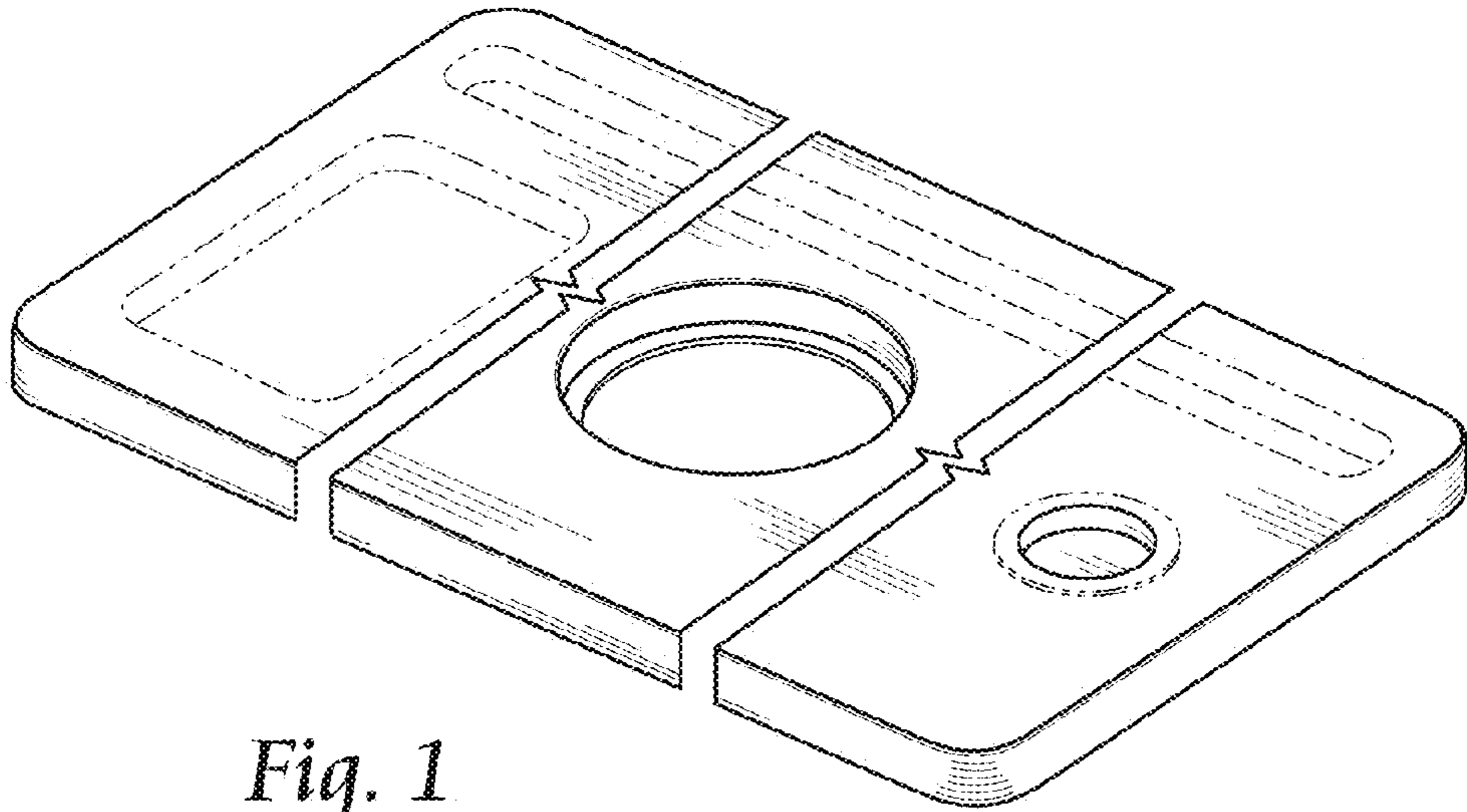
The ornamental design for a jewelry layout tray, as shown and described.

**DESCRIPTION**

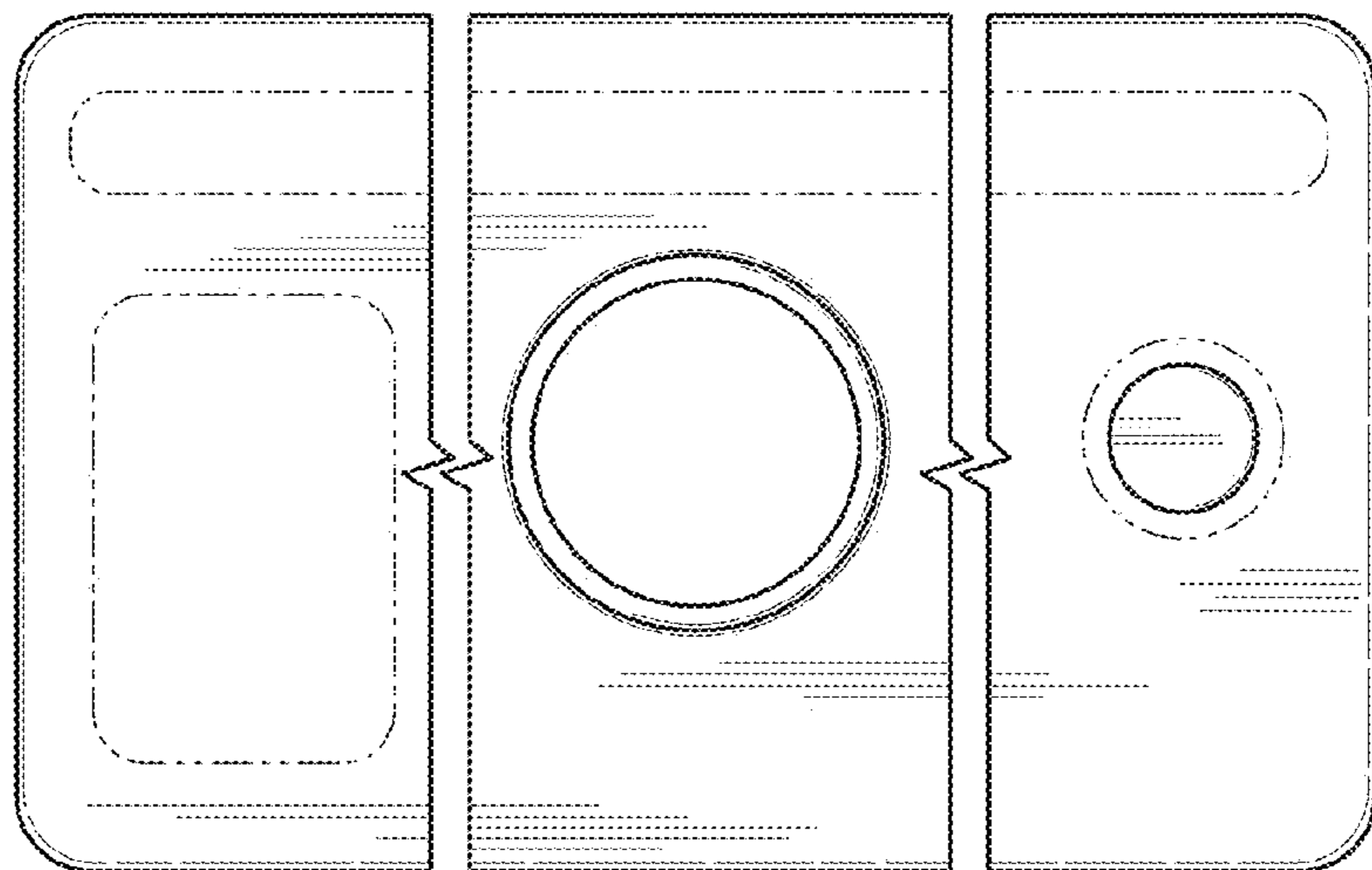
FIG. 1 is a perspective view of a jewelry layout tray according to the present invention;  
FIG. 2 is a top plan view thereof;  
FIG. 3 is a bottom plan view thereof;  
FIG. 4 is a front side elevation view thereof;  
FIG. 5 is a rear side elevation view thereof;  
FIG. 6 is a right side elevation view thereof; and,  
FIG. 7 is a left side elevation view thereof.  
The broken lines are for the purpose of illustrating the environment of the article only and form no part of the claimed design.

**1 Claim, 2 Drawing Sheets**



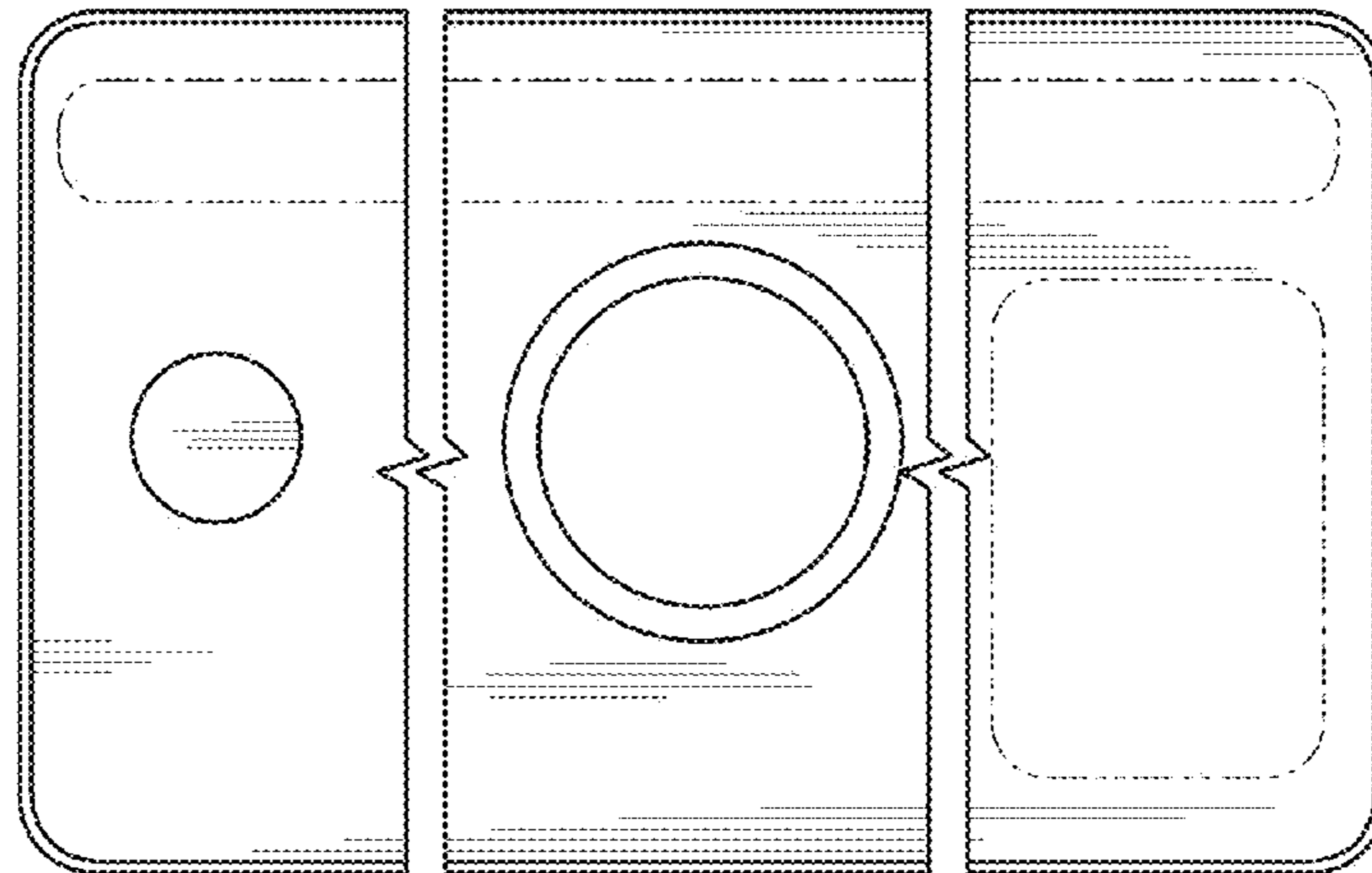


*Fig. 1*

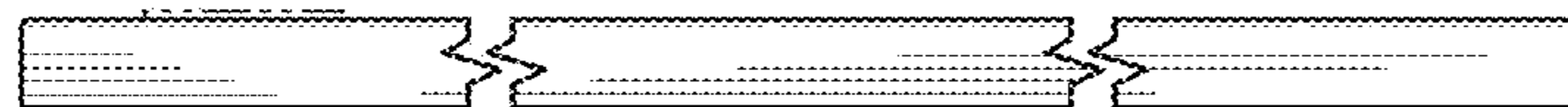


*Fig. 2*

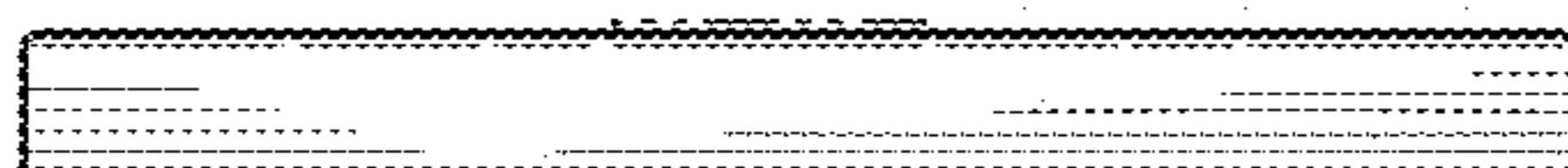
*Fig. 3*



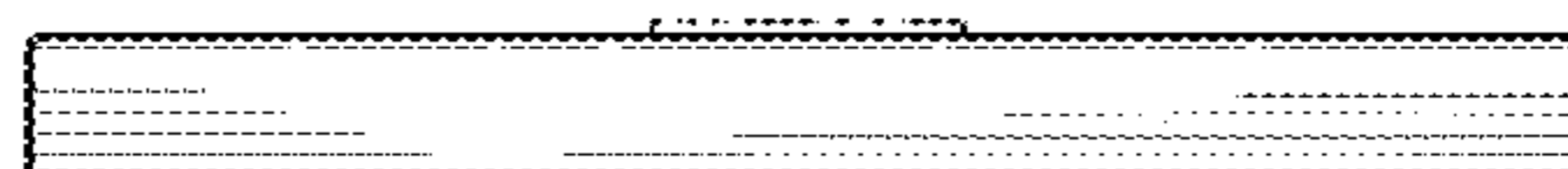
*Fig. 4*



*Fig. 5*



*Fig. 6*



*Fig. 7*