



US00D728937S

(12) **United States Design Patent**  
**Fridley**

(10) **Patent No.:** **US D728,937 S**

(45) **Date of Patent:** **\*\* \*May 12, 2015**

(54) **VEST MOUNTED POUCH**

(71) Applicant: **Tactical Medical Solutions, Inc.,**  
Anderson, SC (US)

(72) Inventor: **Marcus Fridley, Anderson, SC (US)**

(73) Assignee: **Tactical Medical Solutions, Inc.,**  
Anderson, SC (US)

(\*) Notice: This patent is subject to a terminal disclaimer.

(\*\*) Term: **14 Years**

(21) Appl. No.: **29/465,863**

(22) Filed: **Sep. 2, 2013**

(51) **LOC (10) Cl.** ..... **03-01**

(52) **U.S. Cl.**  
USPC ..... **D3/303**

(58) **Field of Classification Search**  
CPC ..... **A45C 7/00**  
USPC ..... **D3/303, 300; 206/278-279, 284**  
See application file for complete search history.

(56) **References Cited**

U.S. PATENT DOCUMENTS

6,874,624	B2 *	4/2005	Redzisz	.....	206/278
D572,006	S *	7/2008	Preston et al.	.....	D3/303
D669,683	S *	10/2012	Caperon	.....	D3/232

\* cited by examiner

*Primary Examiner* — Holly Baynham

(74) *Attorney, Agent, or Firm* — Cahn & Samuels, LLP

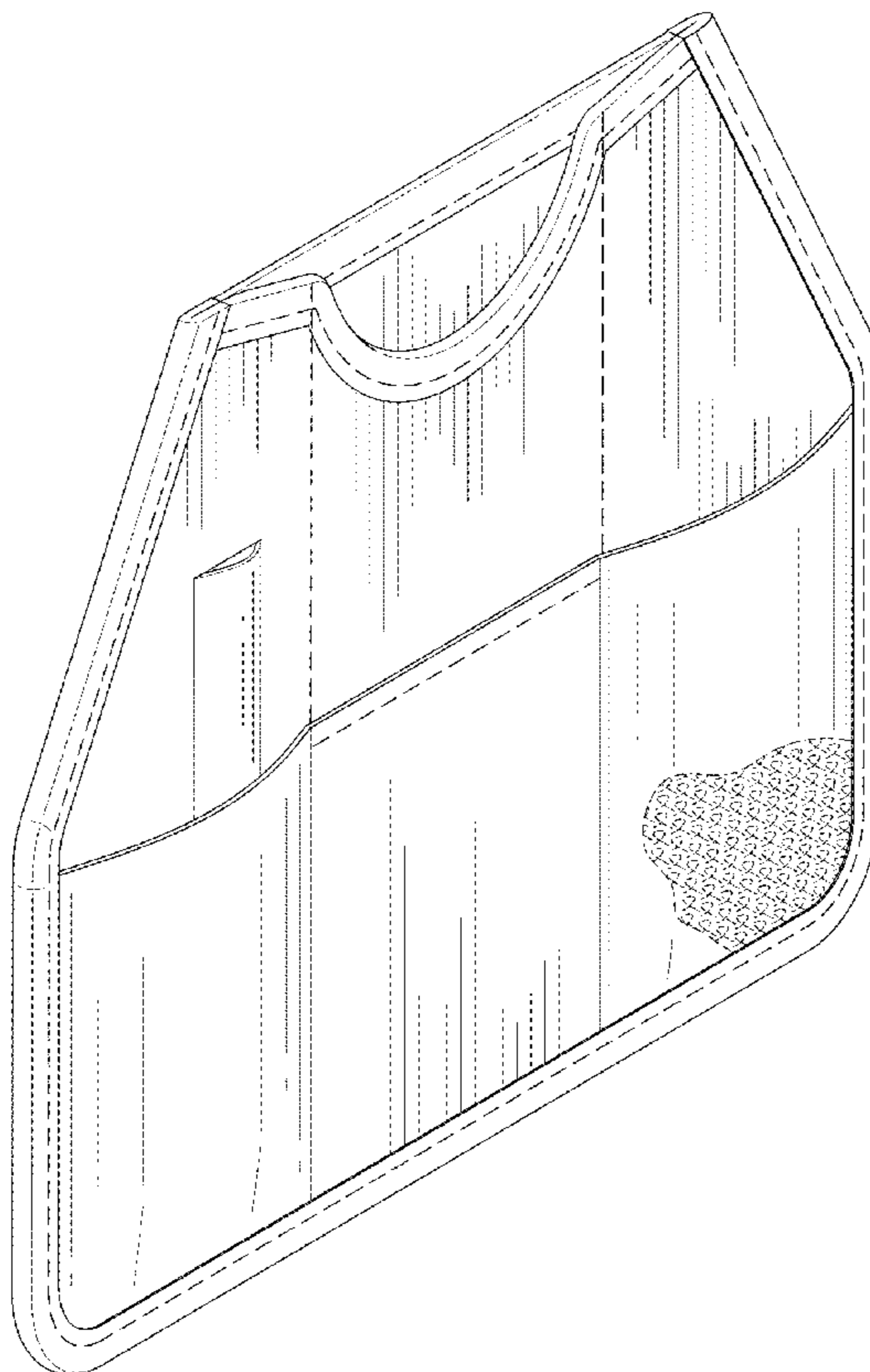
(57) **CLAIM**

The ornamental design for a vest mounted pouch, as shown and described.

**DESCRIPTION**

FIG. 1 is a front perspective view of the vest mounted pouch according to the present invention.  
FIG. 2 is a rear perspective view of the vest mounted pouch according to the present invention.  
FIG. 3 is a top view of the vest mounted pouch according to the present invention; and,  
FIG. 4 is a bottom view of the vest mounted pouch according to the present invention, the other side view being identical. The small broken lines representing a hook and loop surface are for the purposes of illustrating environment and form no part of the claimed design. The evenly spaced broken lines represent stitching and are part of the claimed design.

**1 Claim, 3 Drawing Sheets**



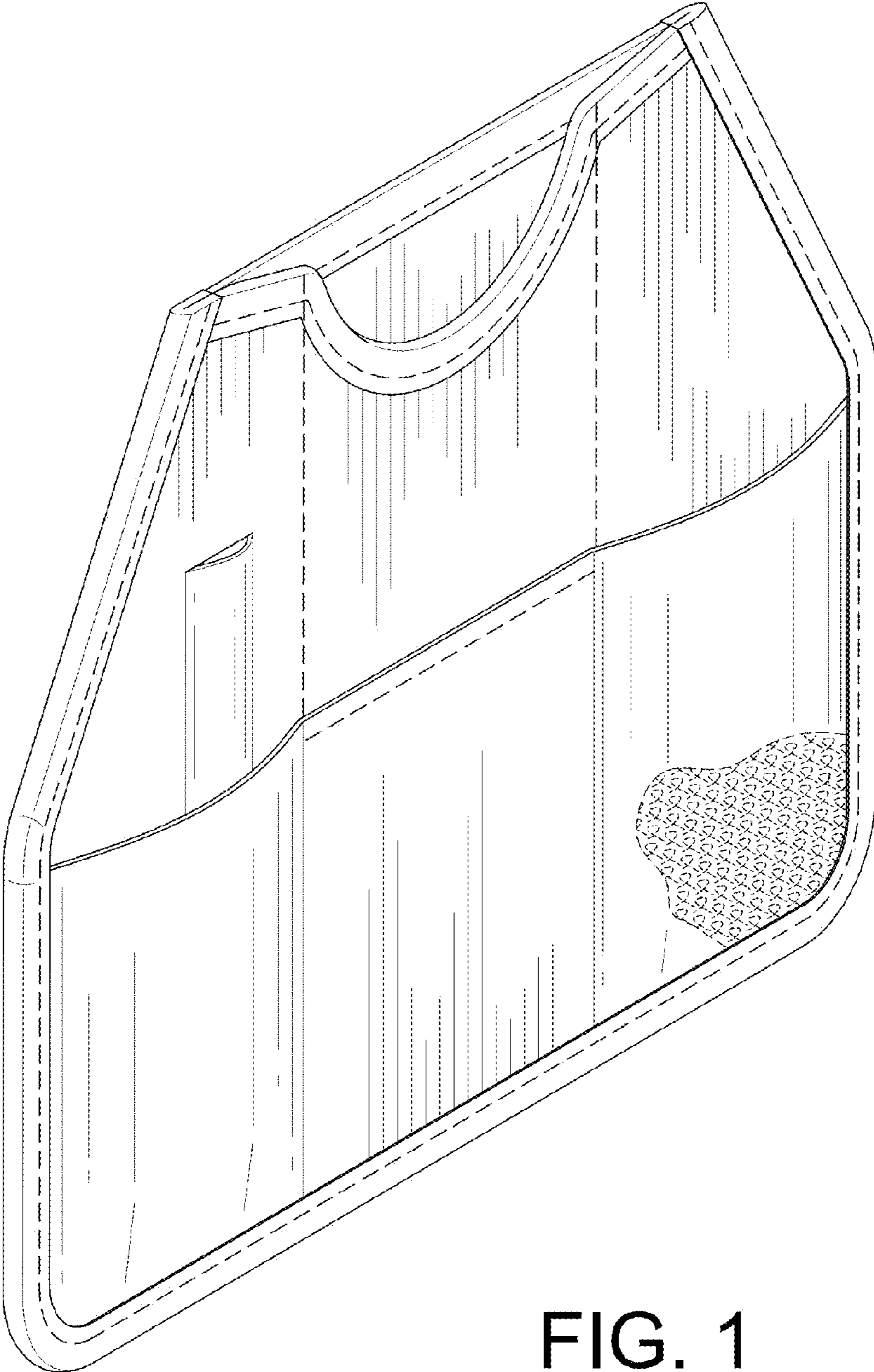


FIG. 1

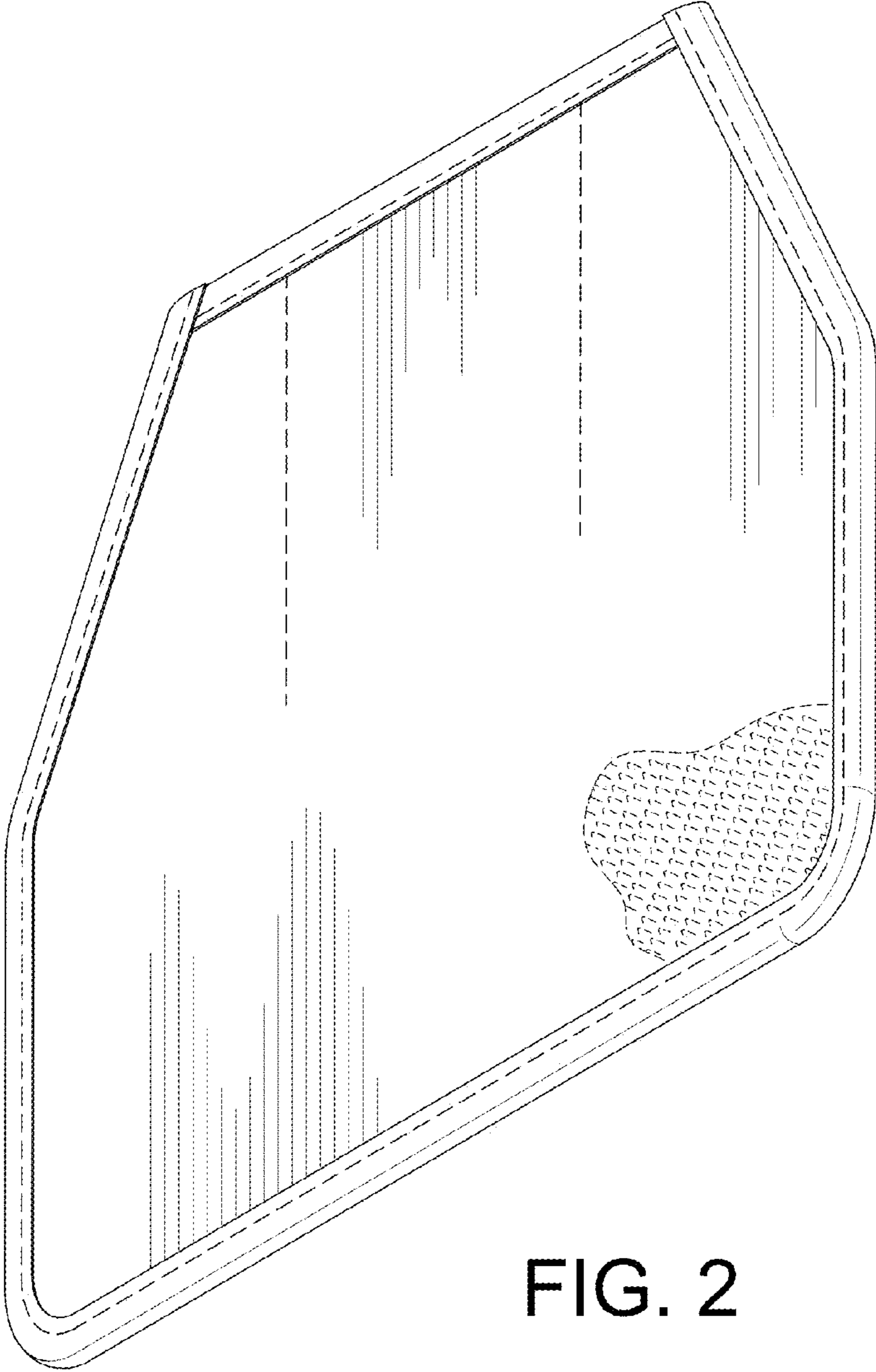


FIG. 2

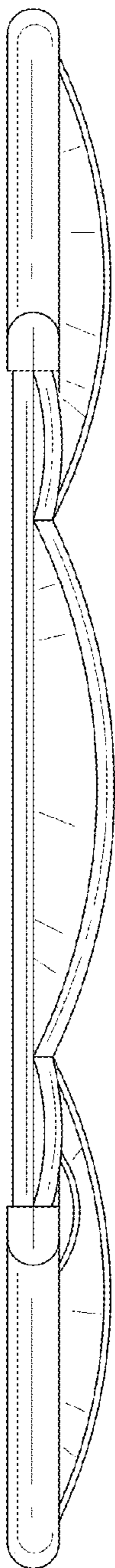


FIG. 3

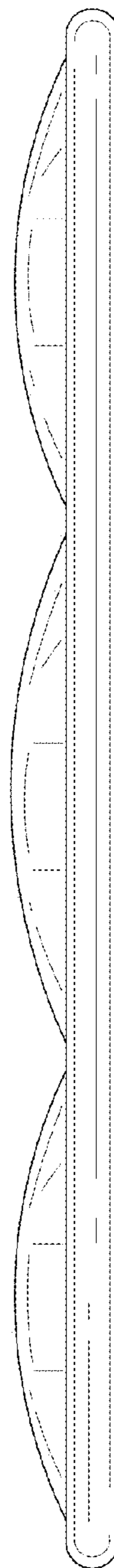


FIG. 4