



US00D728934S

(12) **United States Design Patent**  
**Brunner**

(10) **Patent No.:** **US D728,934 S**

(45) **Date of Patent:** **\*\* May 12, 2015**

(54) **TOOL BOX**

(71) Applicant: **Keter Plastic Ltd.**, Herzelyia (IL)

(72) Inventor: **Yaron Brunner**, Timrat (IL)

(73) Assignee: **Keter Plastic Ltd.**, Herzelyia (IL)

(\*\*) Term: **14 Years**

(21) Appl. No.: **29/457,975**

(22) Filed: **Jun. 14, 2013**

(51) **LOC (10) Cl.** ..... **03-01**

(52) **U.S. Cl.**

USPC ..... **D3/281; D3/905**

(58) **Field of Classification Search**

CPC . B25H 3/02-3/028; B25H 3/00; B25H 3/003;  
B25H 3/006

USPC ..... D3/273, 276, 279-284, 288, 291, 292,  
D3/293, 294, 295, 297, 905; 206/372-379;  
220/4.01

See application file for complete search history.

(56) **References Cited**

U.S. PATENT DOCUMENTS

1,992,435 A *	2/1935	Labadie et al. ....	206/372
D610,351 S *	2/2010	Brunner .....	D3/295
D618,911 S *	7/2010	Brunner .....	D3/281
D649,349 S *	11/2011	Chen et al. ....	D3/276

\* cited by examiner

*Primary Examiner* — Jennifer Rivard

(74) *Attorney, Agent, or Firm* — Vorys, Sater, Seymour and Pease LLP; Susanne M. Hopkins; William L. Klima

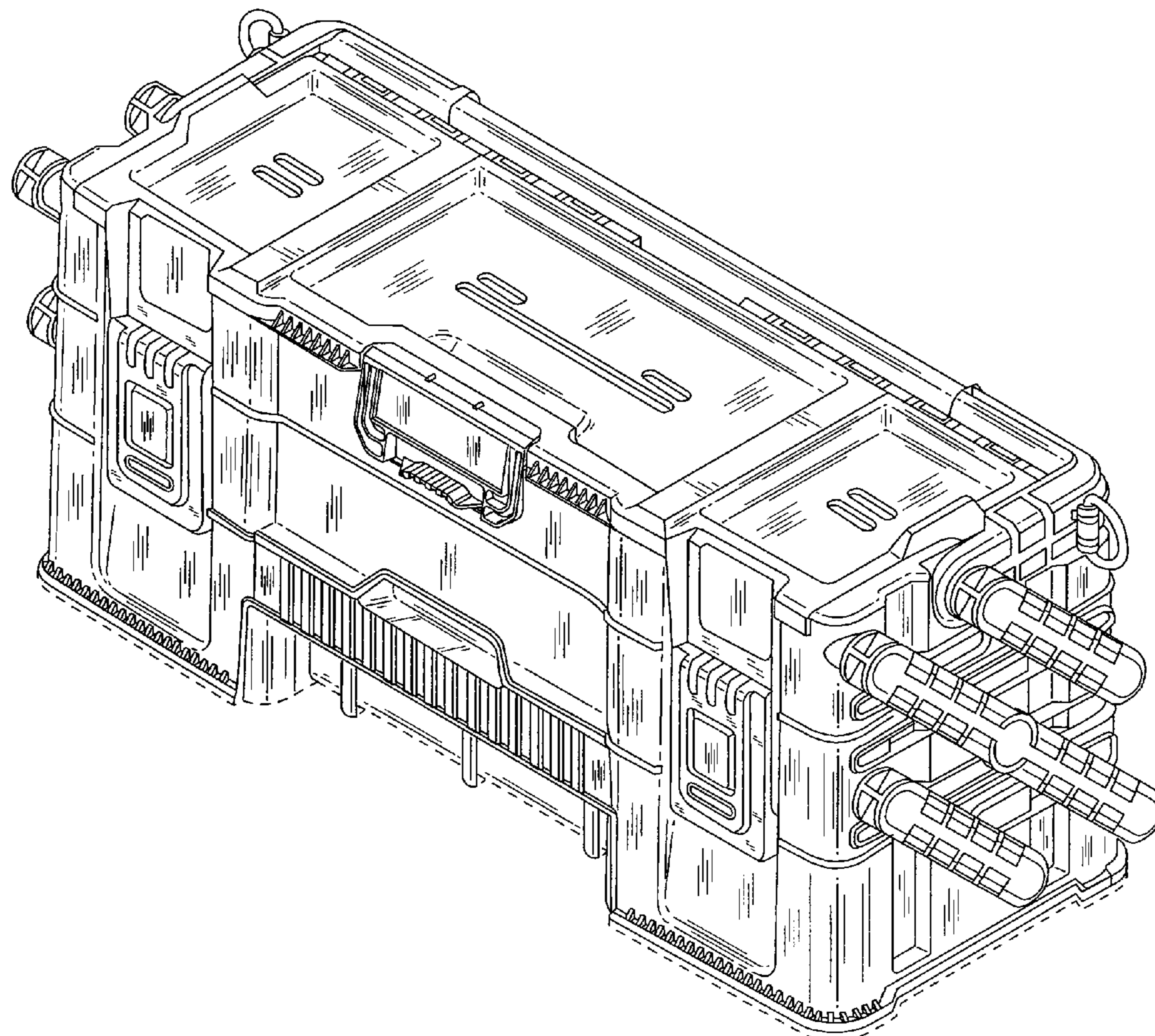
(57) **CLAIM**

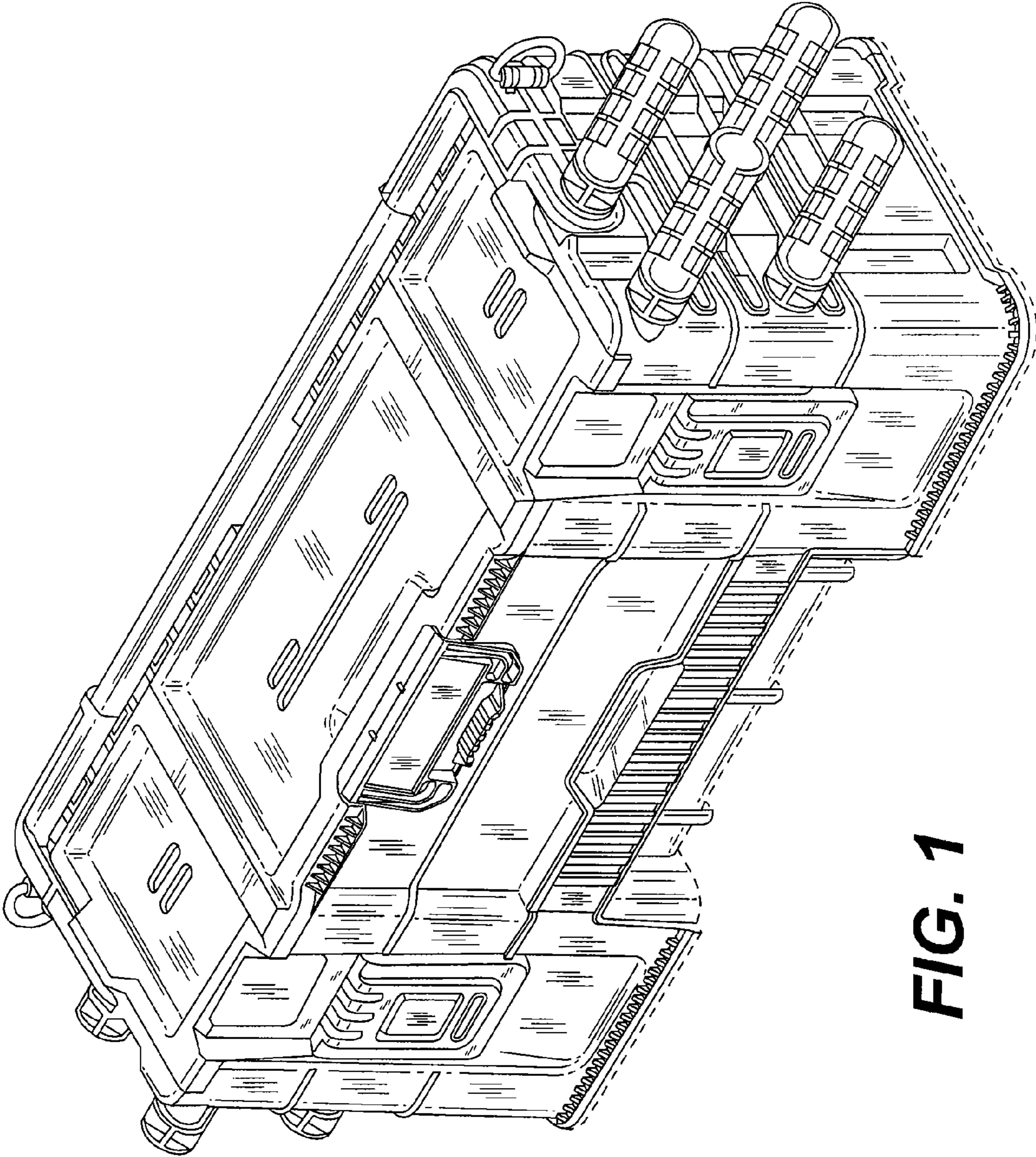
The ornamental design for a tool box, as shown and described.

**DESCRIPTION**

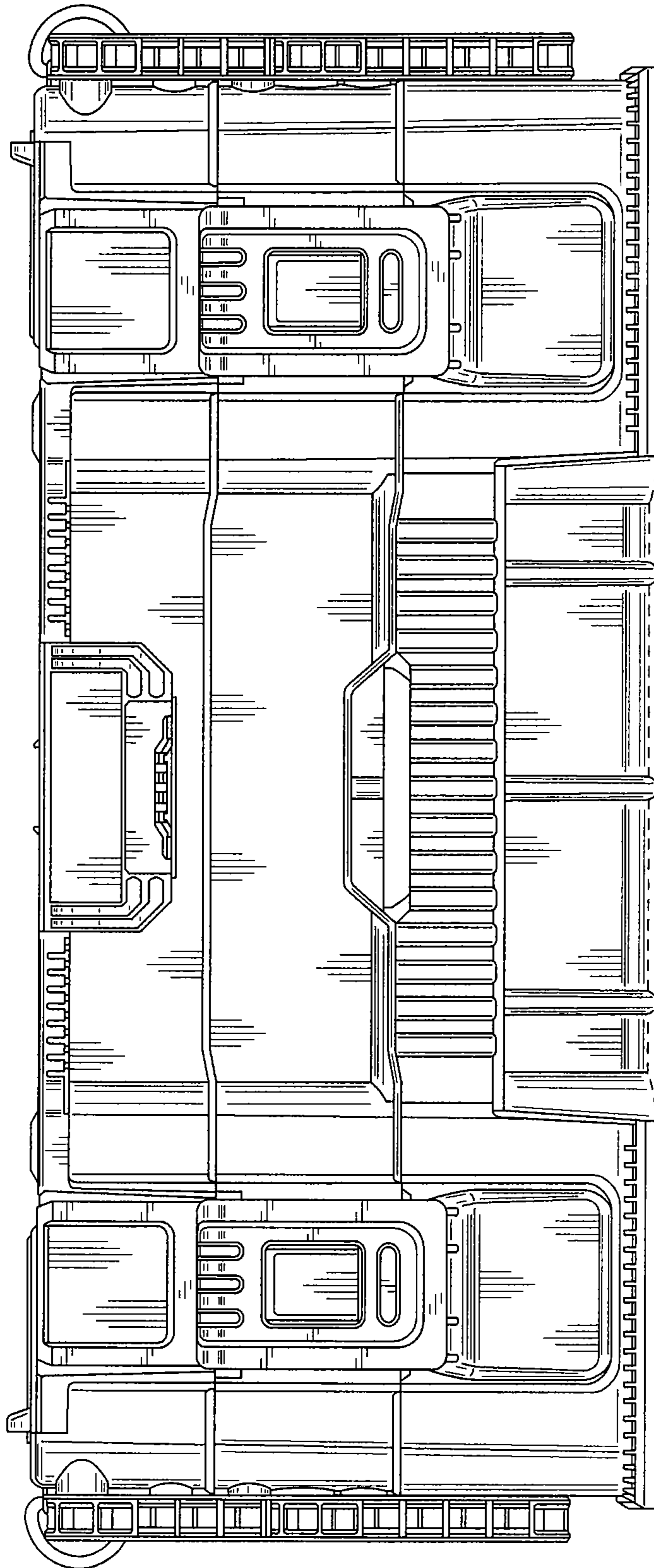
FIG. 1 is a front perspective view of a tool box; FIG. 2 is a front elevational view thereof, FIG. 3 is a rear elevational view thereof, FIG. 4 is a left-side elevational view thereof, FIG. 5 is a right-side elevational view thereof, FIG. 6 is a top planar view thereof; and, FIG. 7 is a rear perspective view thereof. The broken lines depict portions of the tool box, which form no part of the claimed design.

**1 Claim, 6 Drawing Sheets**

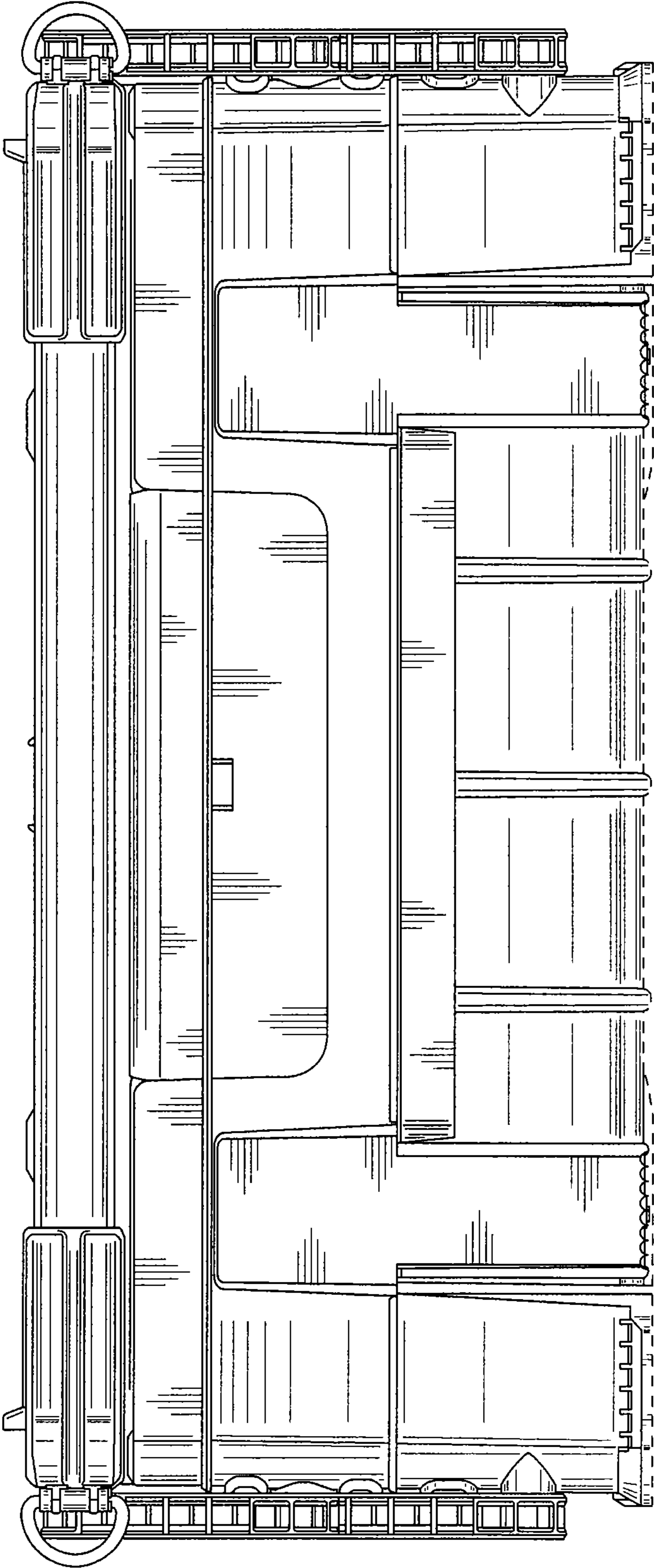




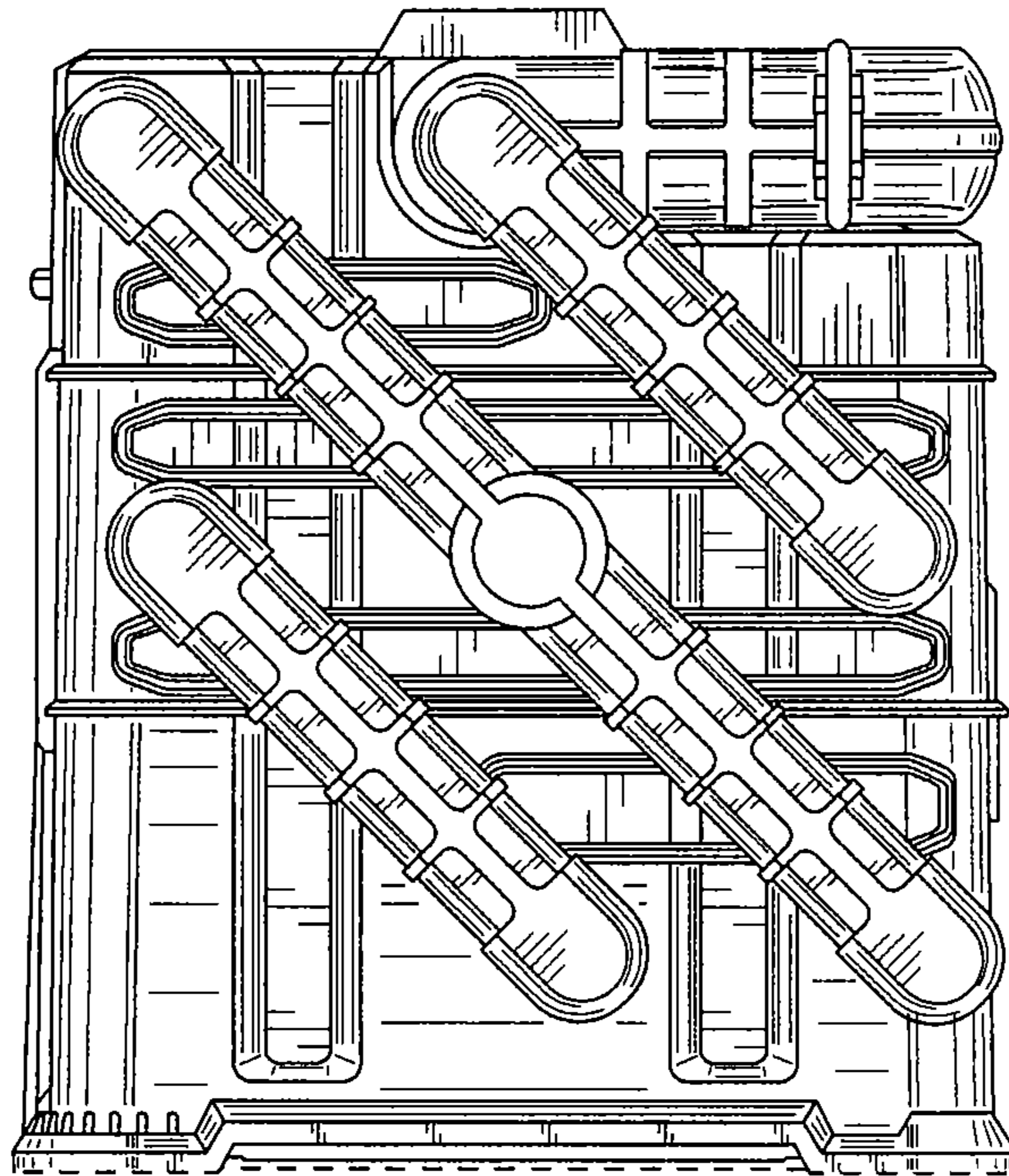
**FIG. 1**



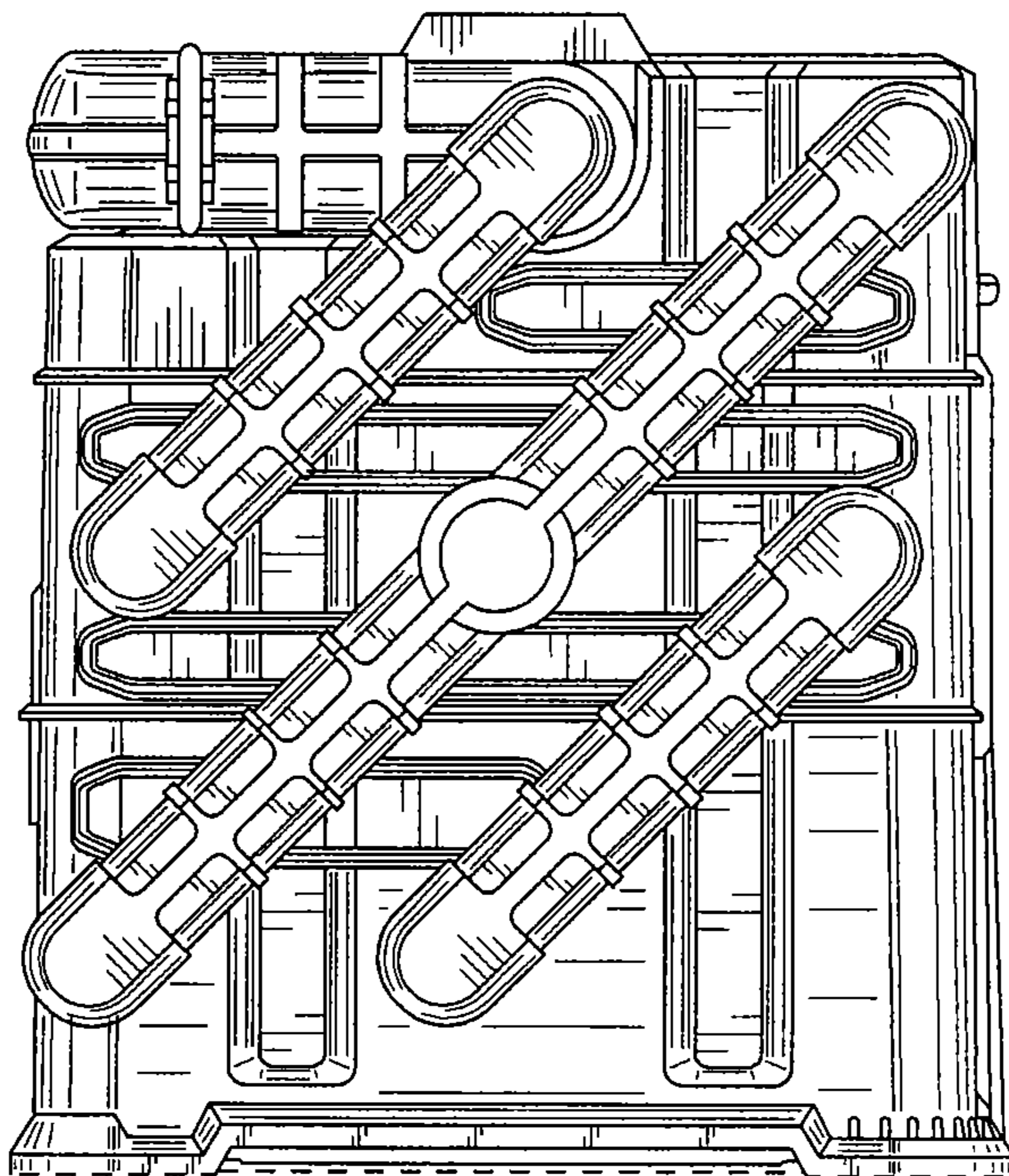
**FIG. 2**



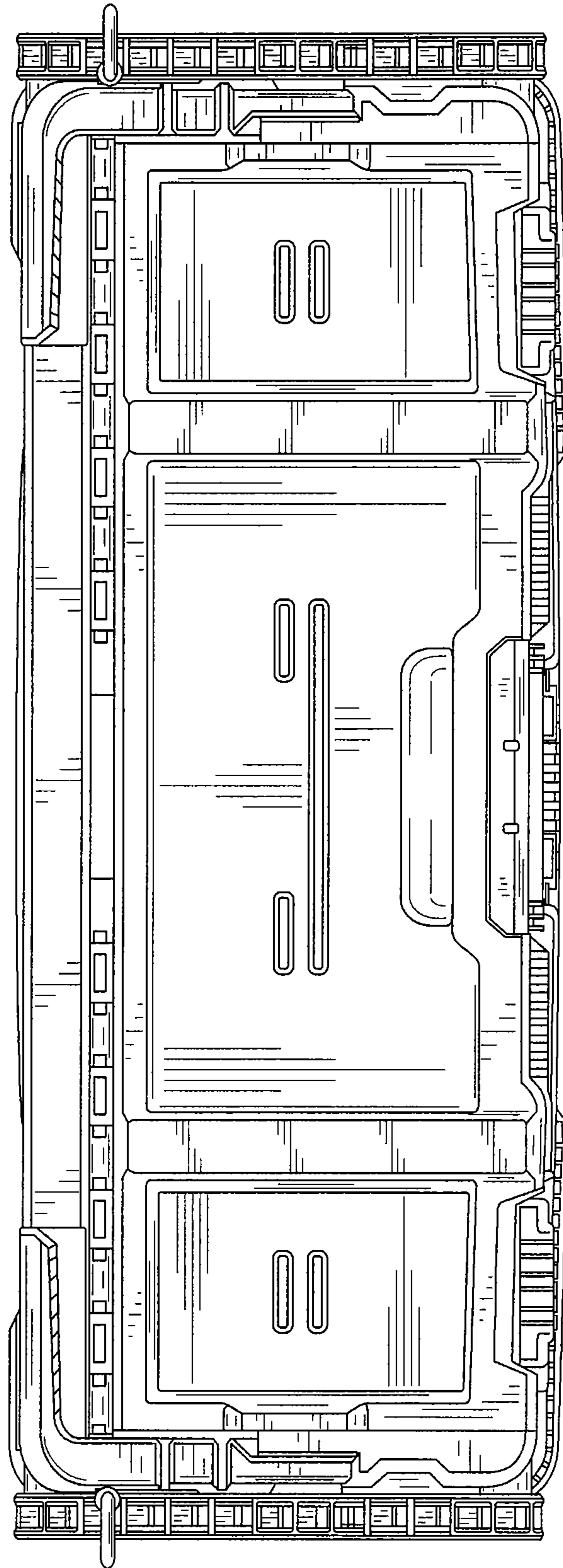
**FIG. 3**



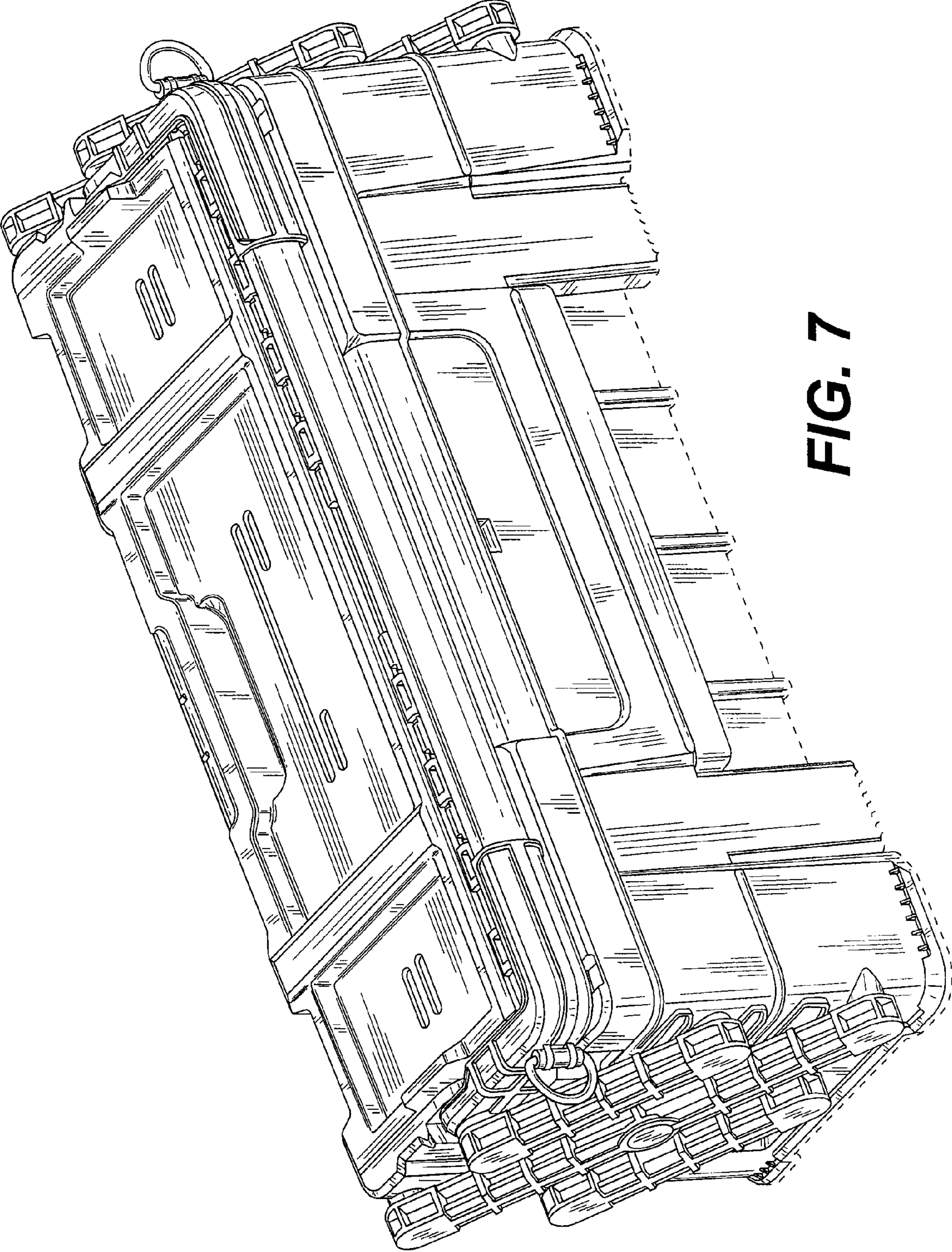
**FIG. 4**



**FIG. 5**



**FIG. 6**



**FIG. 7**