



US00D728932S

(12) **United States Design Patent**
Horovitz et al.

(10) **Patent No.:** **US D728,932 S**
(45) **Date of Patent:** **** May 12, 2015**

(54) **TOOL BOX**

(71) Applicant: **The Stanley Works Israel Ltd.**, Rosh Ha' Ayin (IL)

(72) Inventors: **Nadin Daniel Horovitz**, Rehovot (IL);
Wen-Chi Ku, Taichung (TW)

(73) Assignee: **The Stanley Works Israel, Ltd.**, Rosh Ha' Ayin (IL)

(**) Term: **14 Years**

(21) Appl. No.: **29/498,279**

(22) Filed: **Aug. 1, 2014**

(30) **Foreign Application Priority Data**

Feb. 14, 2014 (CN) 2014 3 0027675

(51) **LOC (10) Cl.** **03-01**

(52) **U.S. Cl.**
USPC **D3/276; D3/294; D3/905**

(58) **Field of Classification Search**
CPC . B25H 3/02-3/028; B25H 3/00; B25H 3/003;
B25H 3/006
USPC D3/276, 279, 281, 282, 284, 291, 294,
D3/295, 297, 298, 901, 905, 288, 292, 273,
D3/302; 206/372-379, 1.7; 220/523-528,
220/324; D19/106, 83
See application file for complete search history.

(56) **References Cited**

U.S. PATENT DOCUMENTS

1,992,630 A * 2/1935 Piperoux 206/743
2,628,752 A * 2/1953 Corkish 312/244
2,697,460 A * 12/1954 Barnett 144/285
D218,080 S * 7/1970 Sierzega D3/297
4,717,020 A * 1/1988 Viira 206/372

D326,775 S * 6/1992 Skillius D3/281
D328,818 S * 8/1992 Hanna et al. D3/281
D353,049 S * 12/1994 Schmidt D3/283
D361,659 S * 8/1995 Kahl et al. D3/260
5,624,029 A * 4/1997 Shih 206/372
5,899,420 A * 5/1999 Gerardi 248/146
D434,225 S * 11/2000 Story et al. D3/281
D496,531 S * 9/2004 Einav et al. D3/276
7,246,718 B2 * 7/2007 Einav et al. 220/764
2002/0125159 A1 * 9/2002 Hann 206/372
2009/0277905 A1 * 11/2009 Gillan 220/315
2012/0080432 A1 * 4/2012 Bensman et al. 220/324

* cited by examiner

Primary Examiner — Jennifer Rivard

Assistant Examiner — April Rivas

(74) *Attorney, Agent, or Firm* — Gabriel A. Haboubi

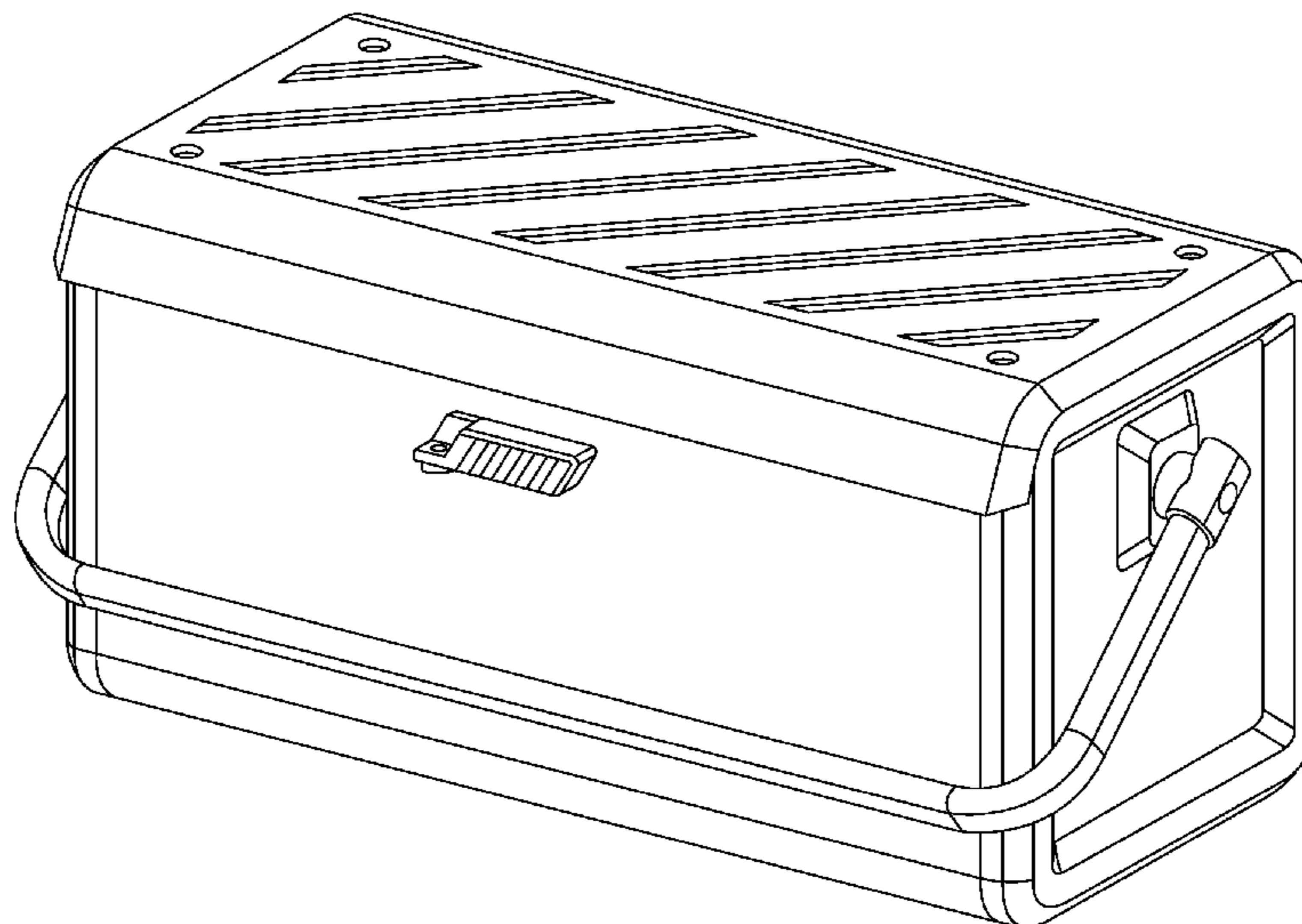
(57) **CLAIM**

The ornamental design for a tool box, as shown and described.

DESCRIPTION

FIG. 1 is a perspective view of our new design;
FIG. 2 is a left side view thereof;
FIG. 3 is a right side view thereof;
FIG. 4 is a top view thereof;
FIG. 5 is a bottom view thereof;
FIG. 6 is a front view thereof;
FIG. 7 is a rear view thereof;
FIG. 8 is a perspective view of a second embodiment showing a new design;
FIG. 9 is a left side view thereof;
FIG. 10 is a right side view thereof;
FIG. 11 is a top view thereof;
FIG. 12 is a bottom view thereof;
FIG. 13 is a front view thereof; and,
FIG. 14 is a rear view thereof.

1 Claim, 14 Drawing Sheets



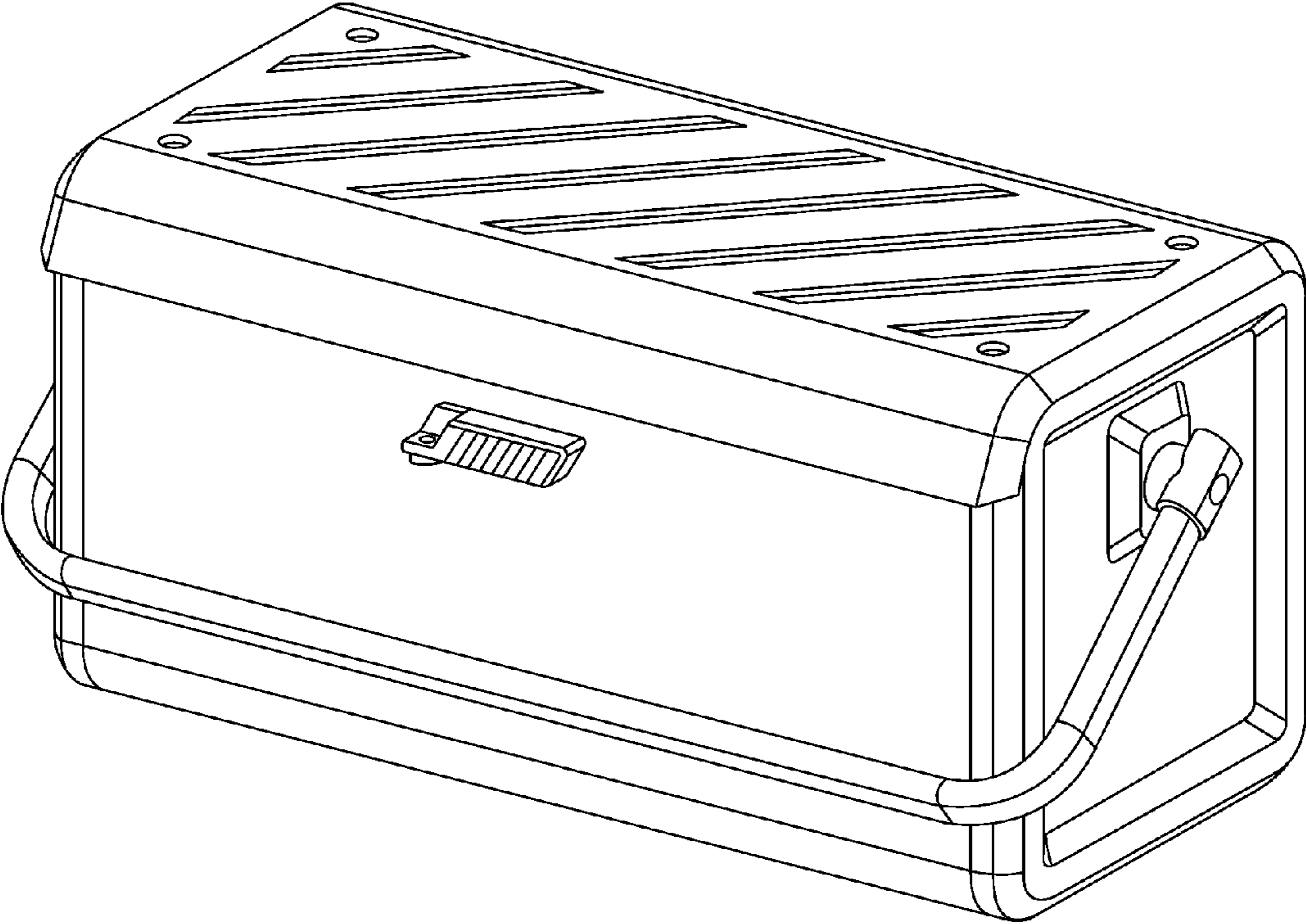


FIG. 1

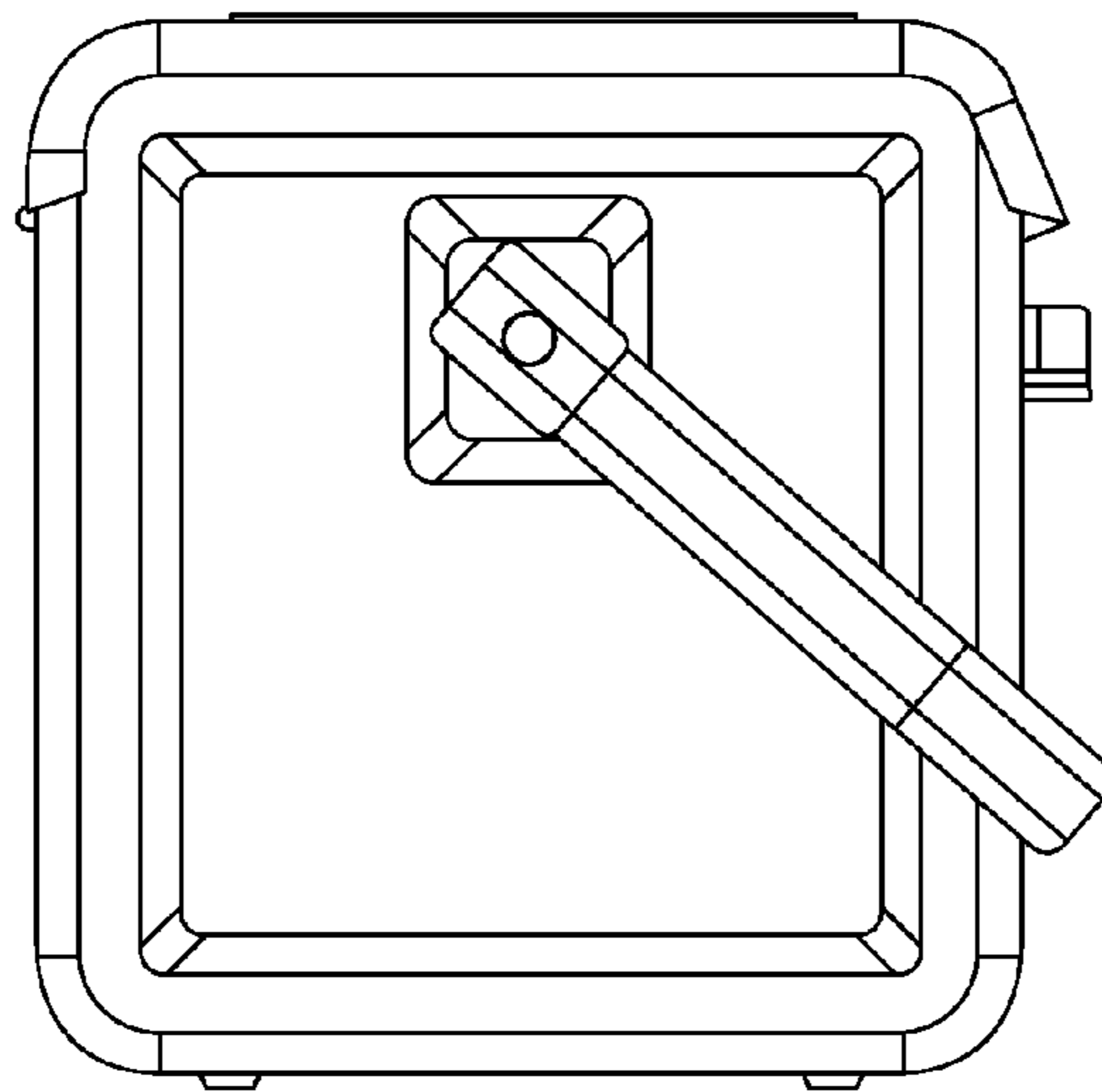


FIG. 2

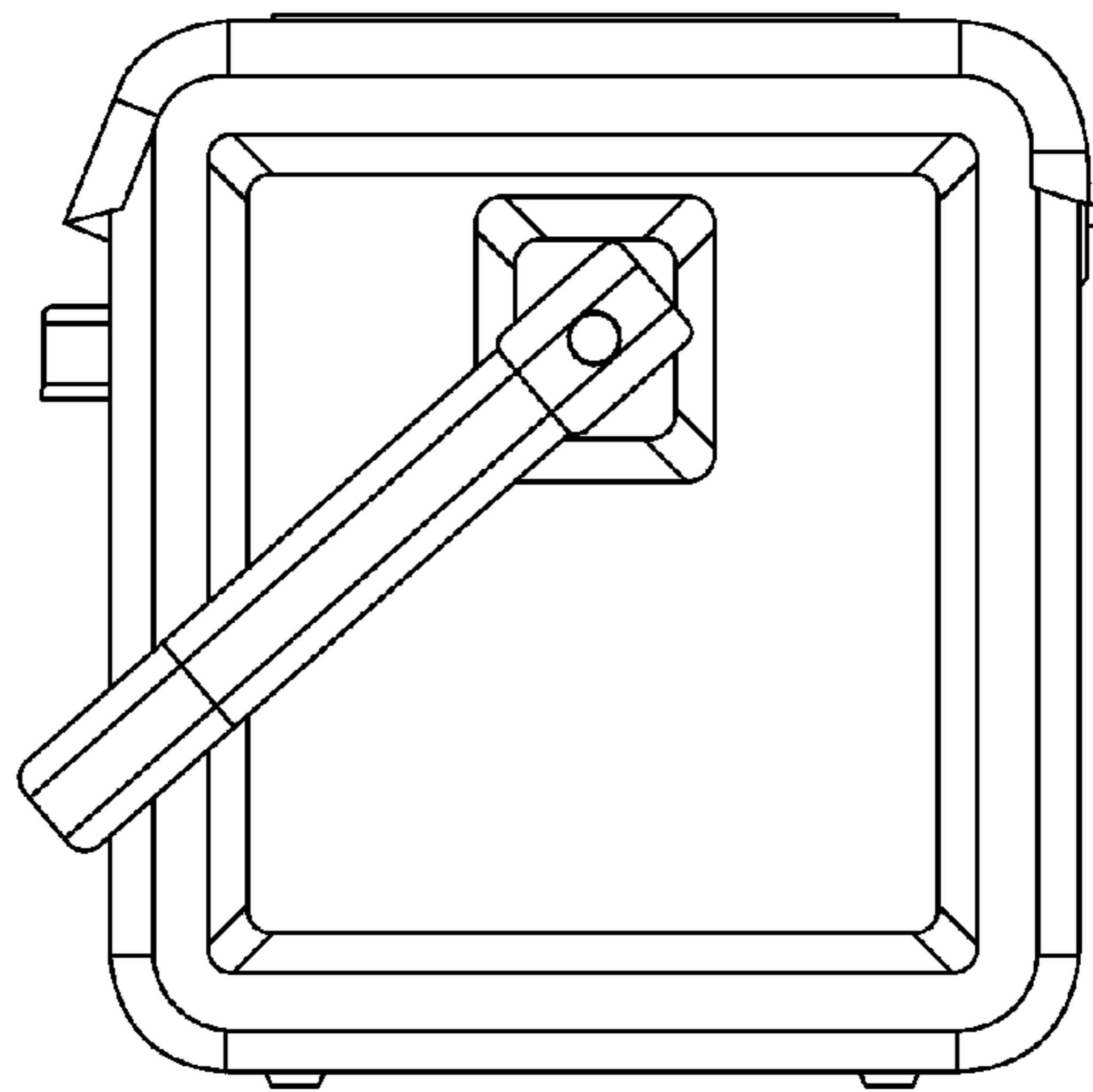


FIG. 3

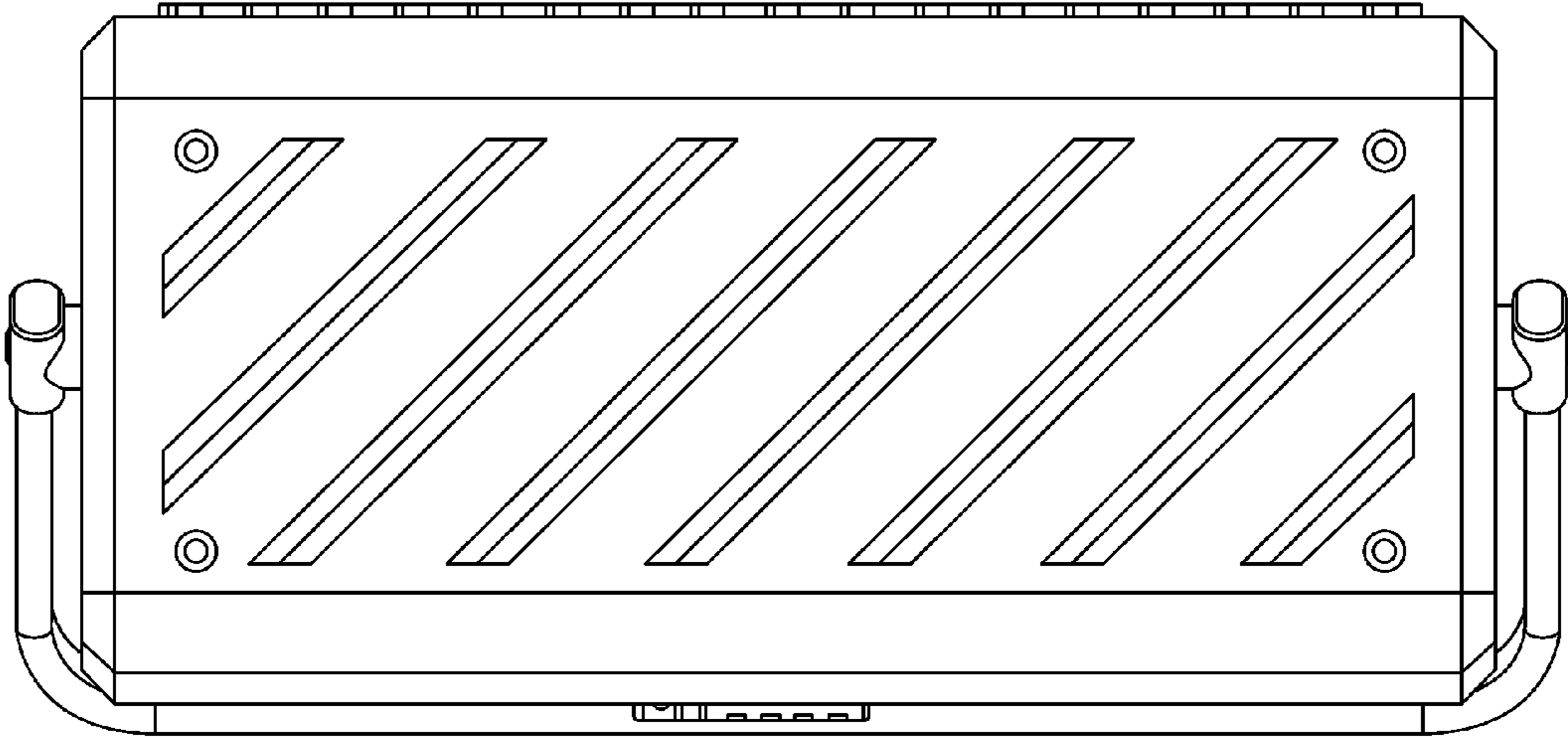


FIG. 4

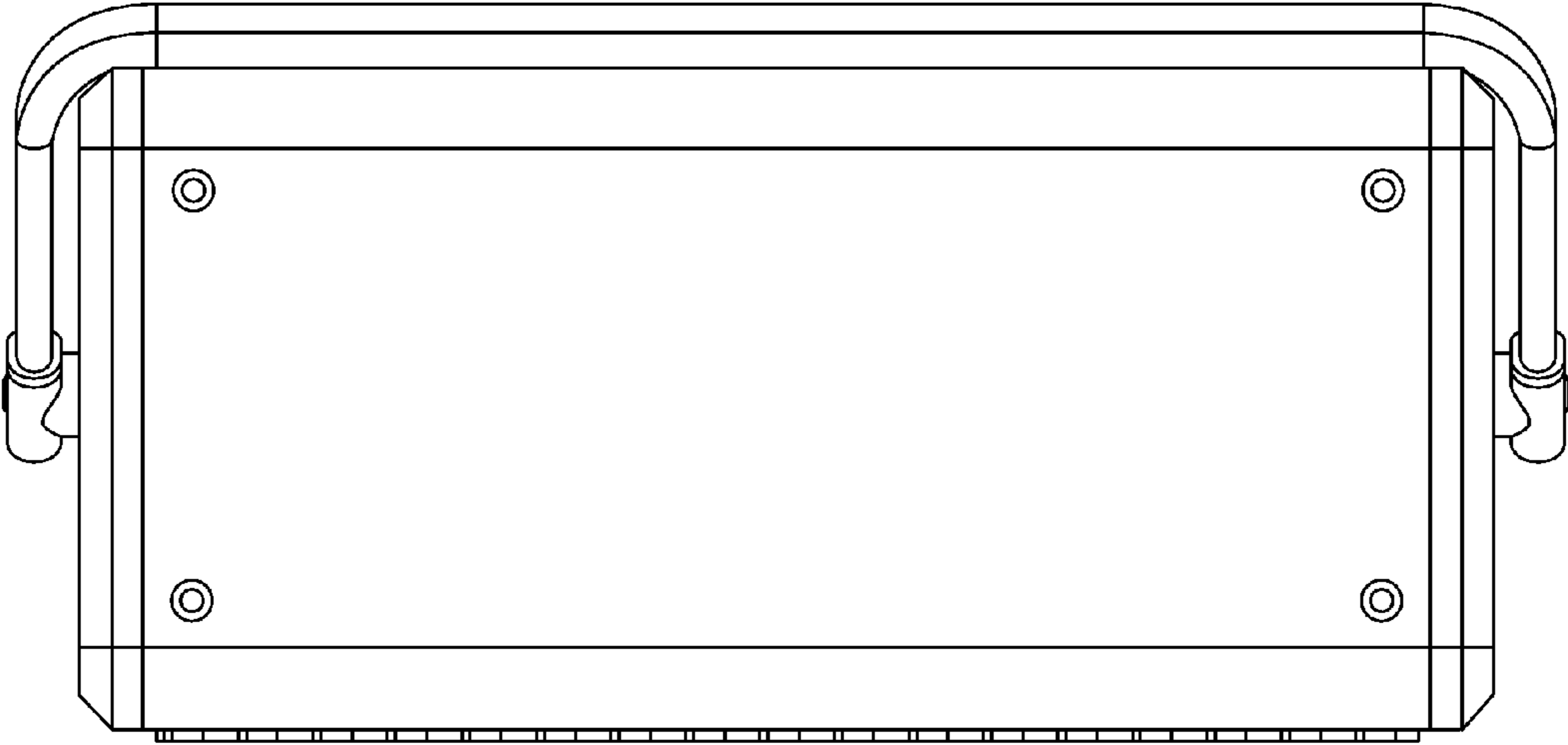


FIG. 5

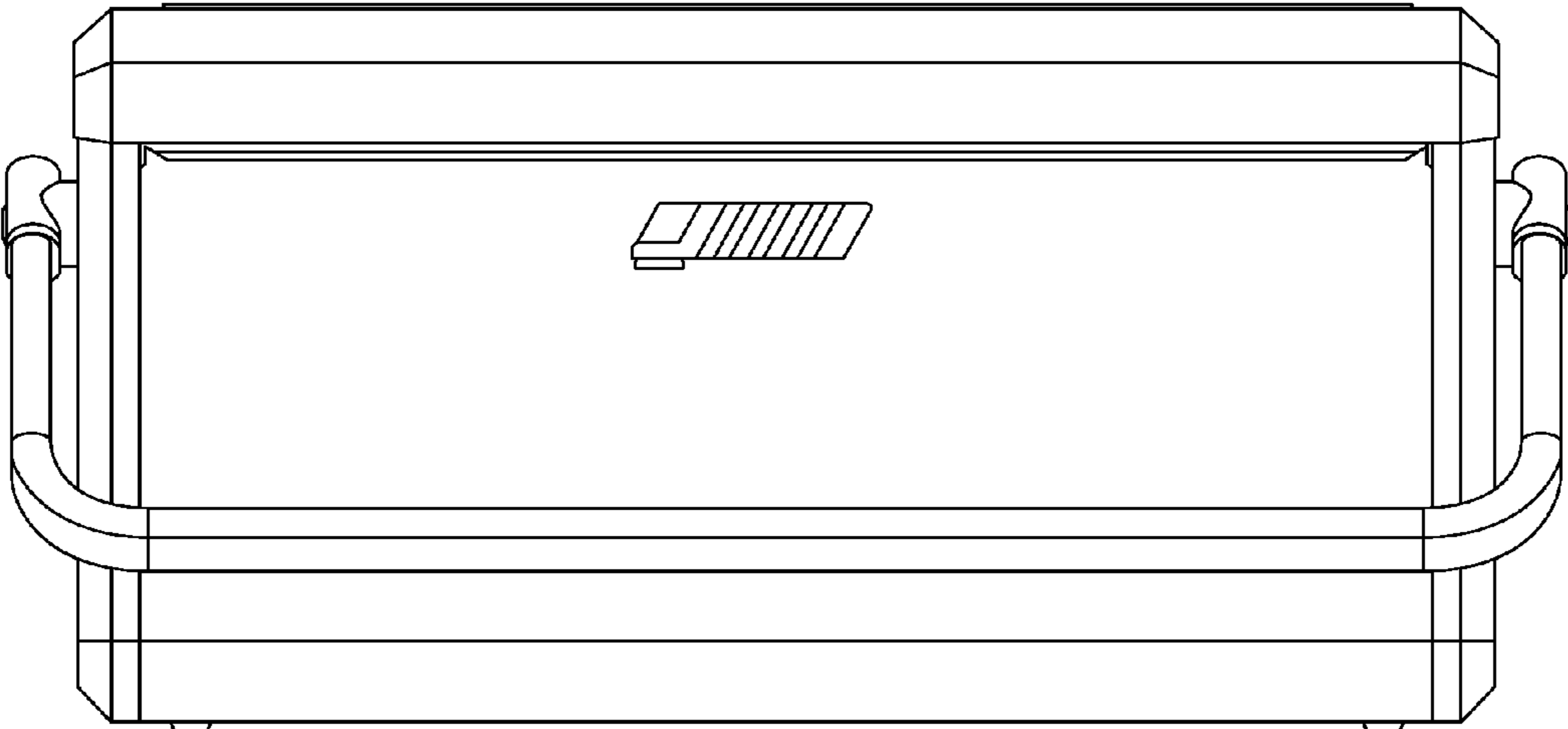


FIG. 6

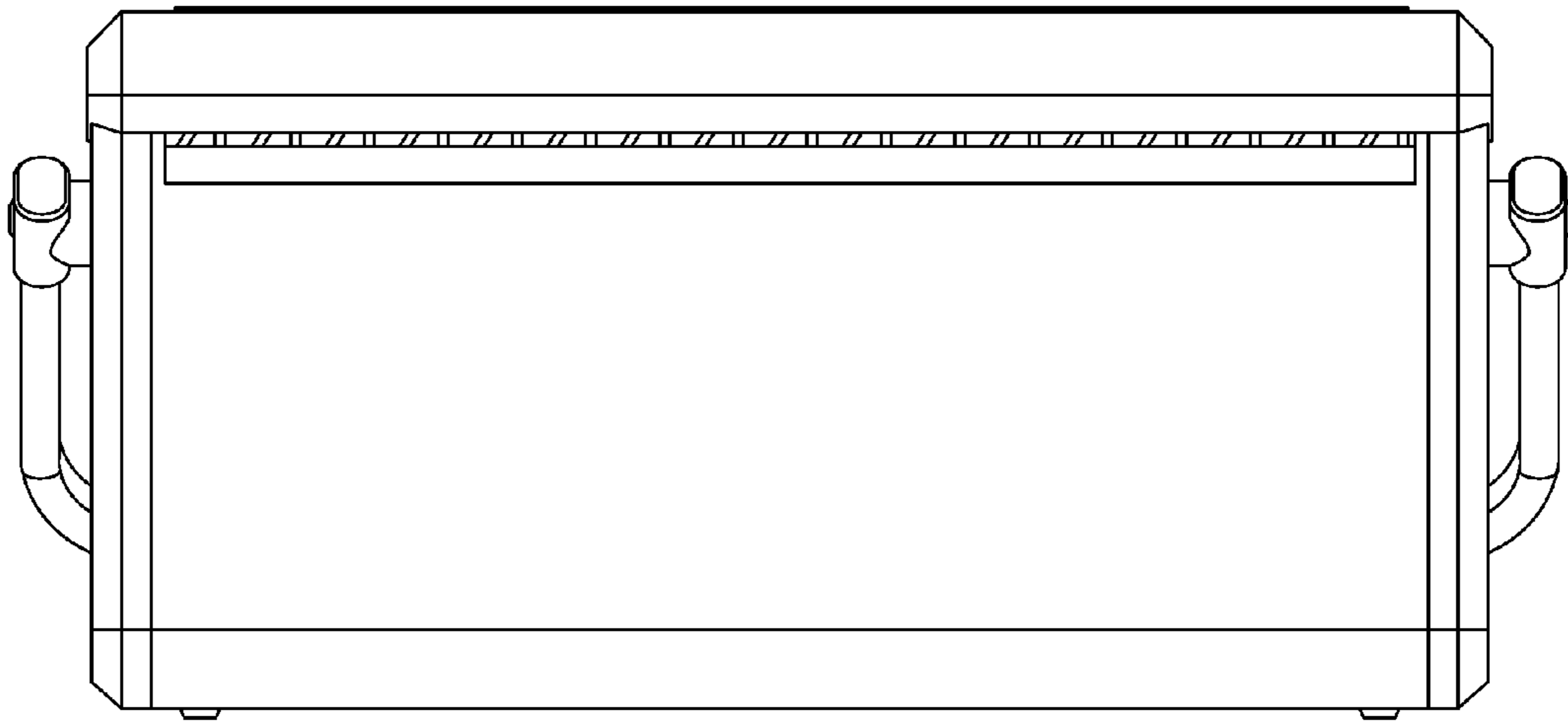


FIG. 7

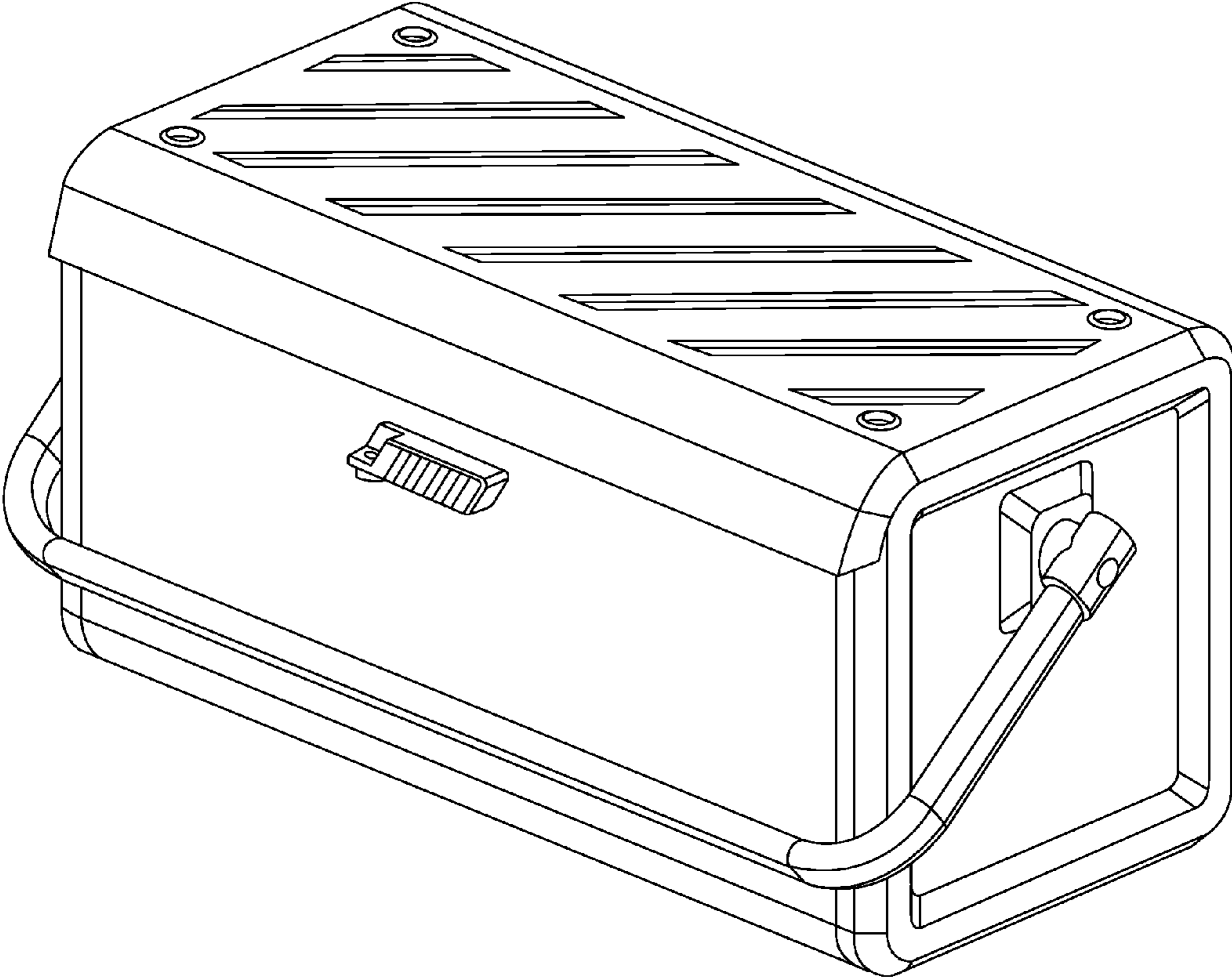


FIG. 8

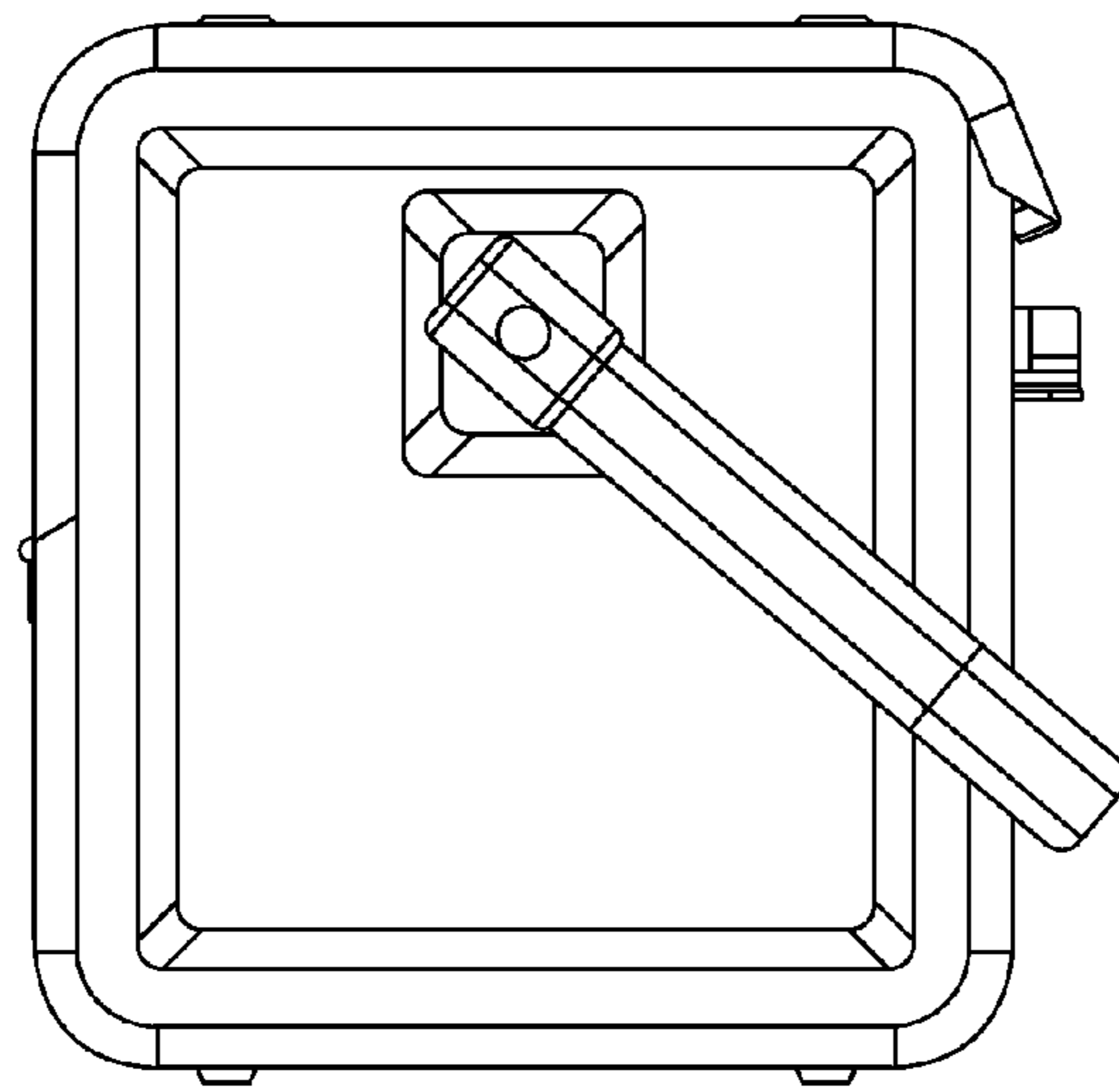


FIG. 9

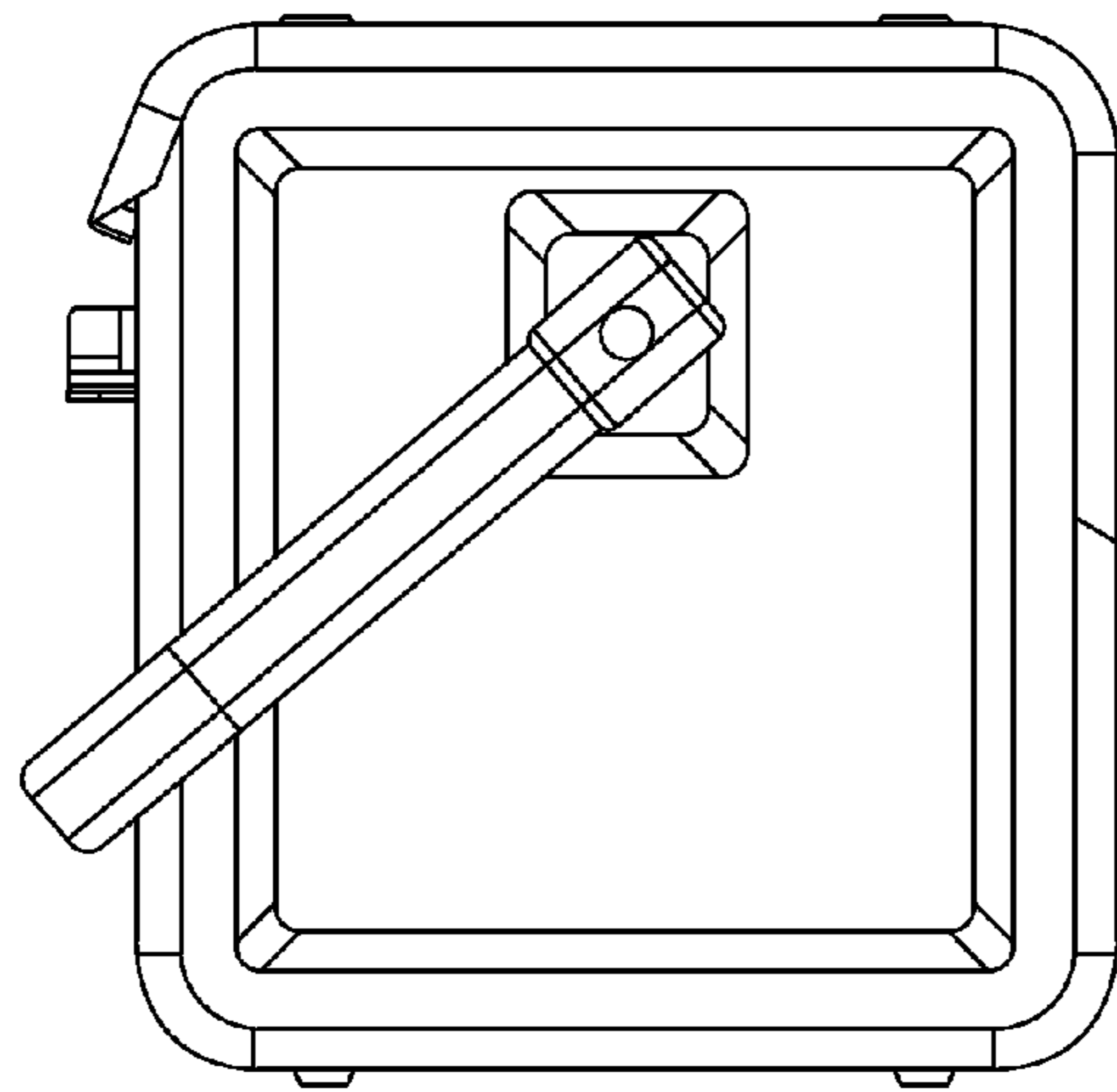


FIG. 10

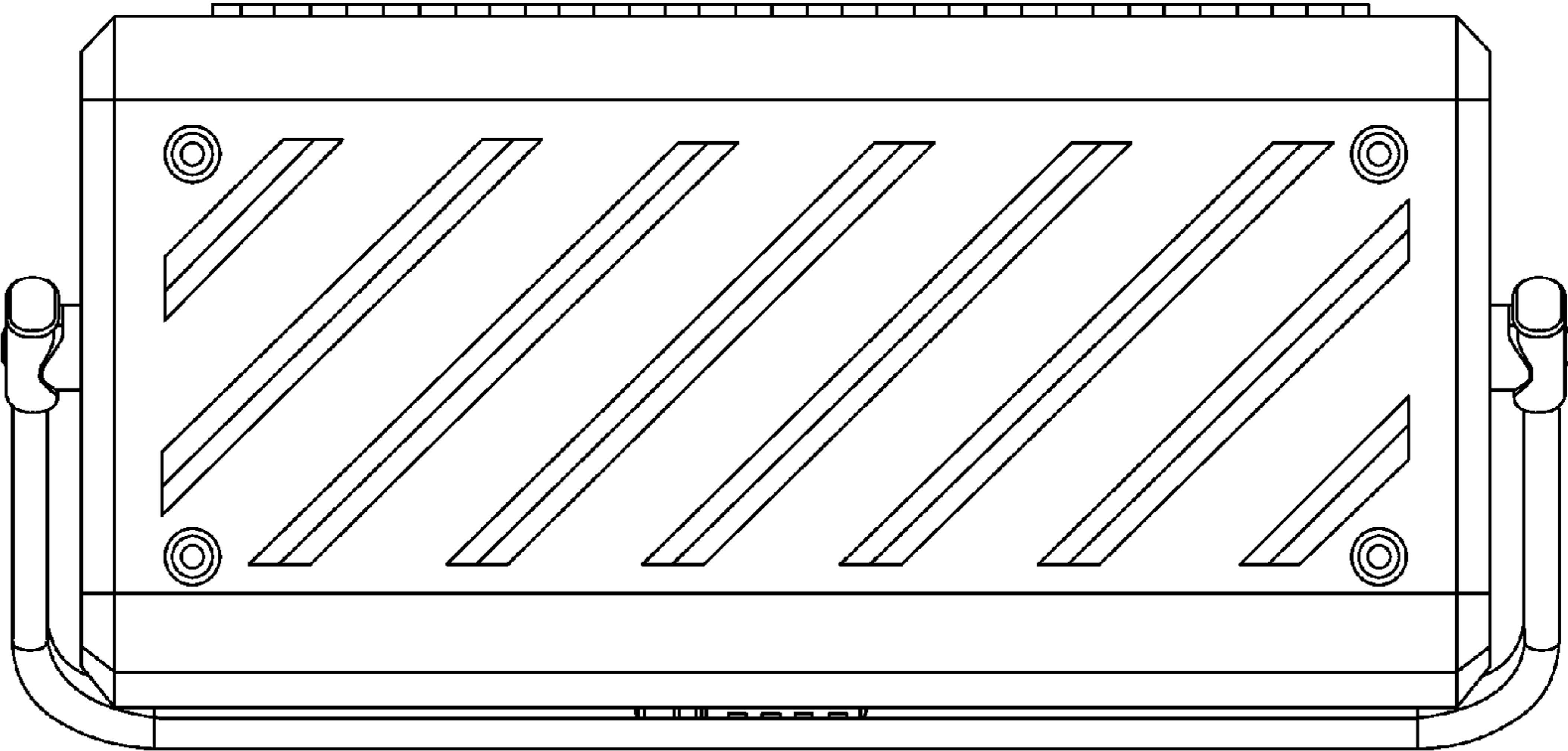


FIG. 11

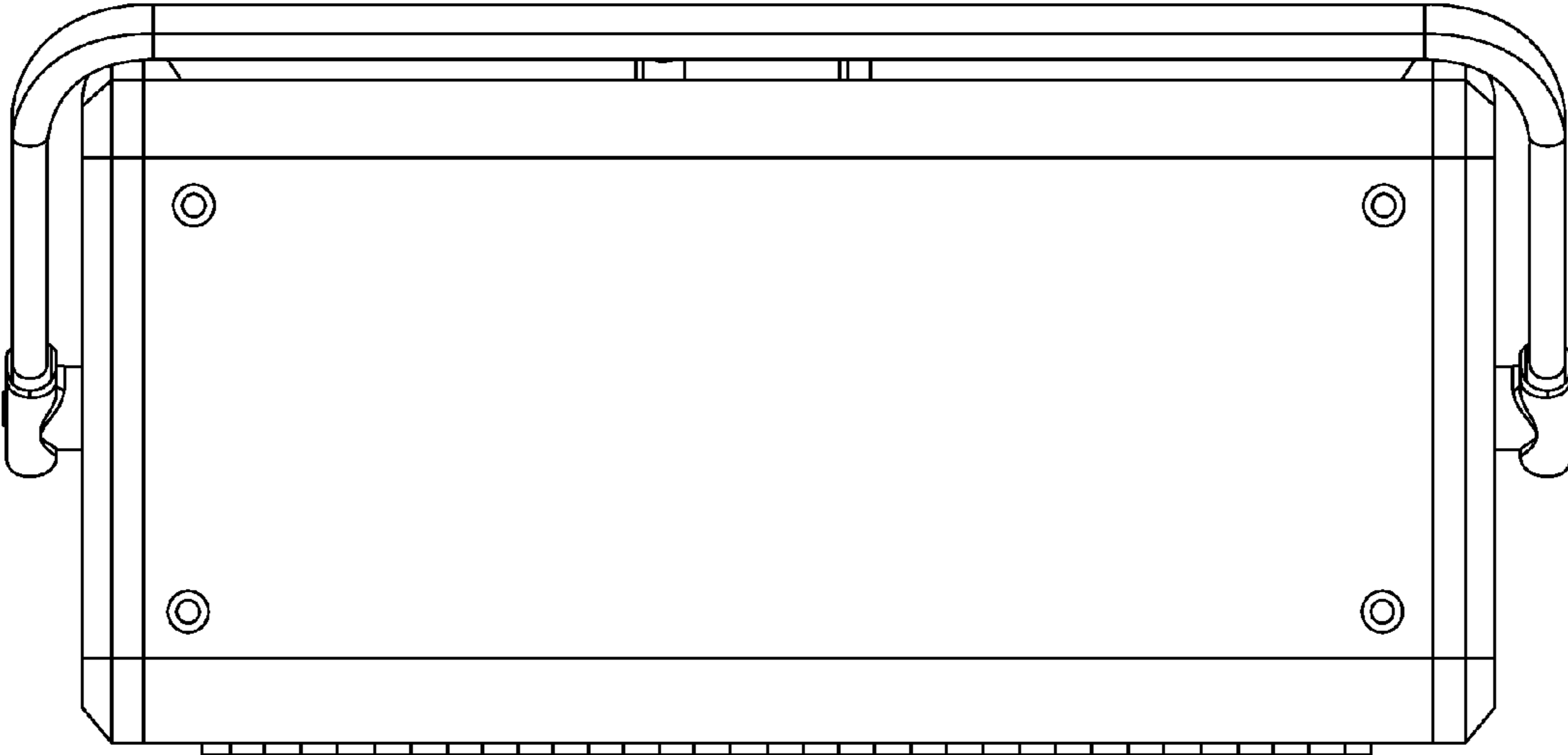


FIG. 12

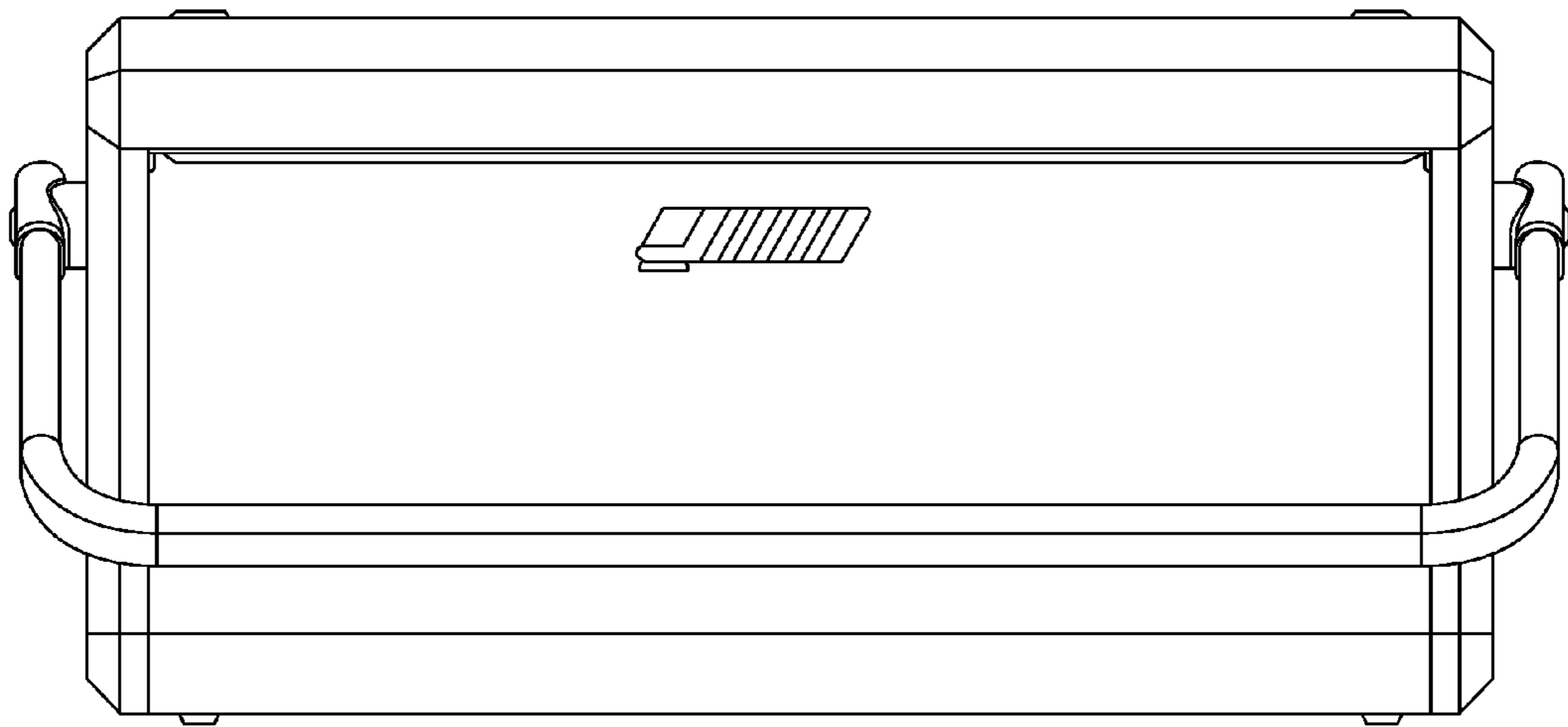


FIG. 13

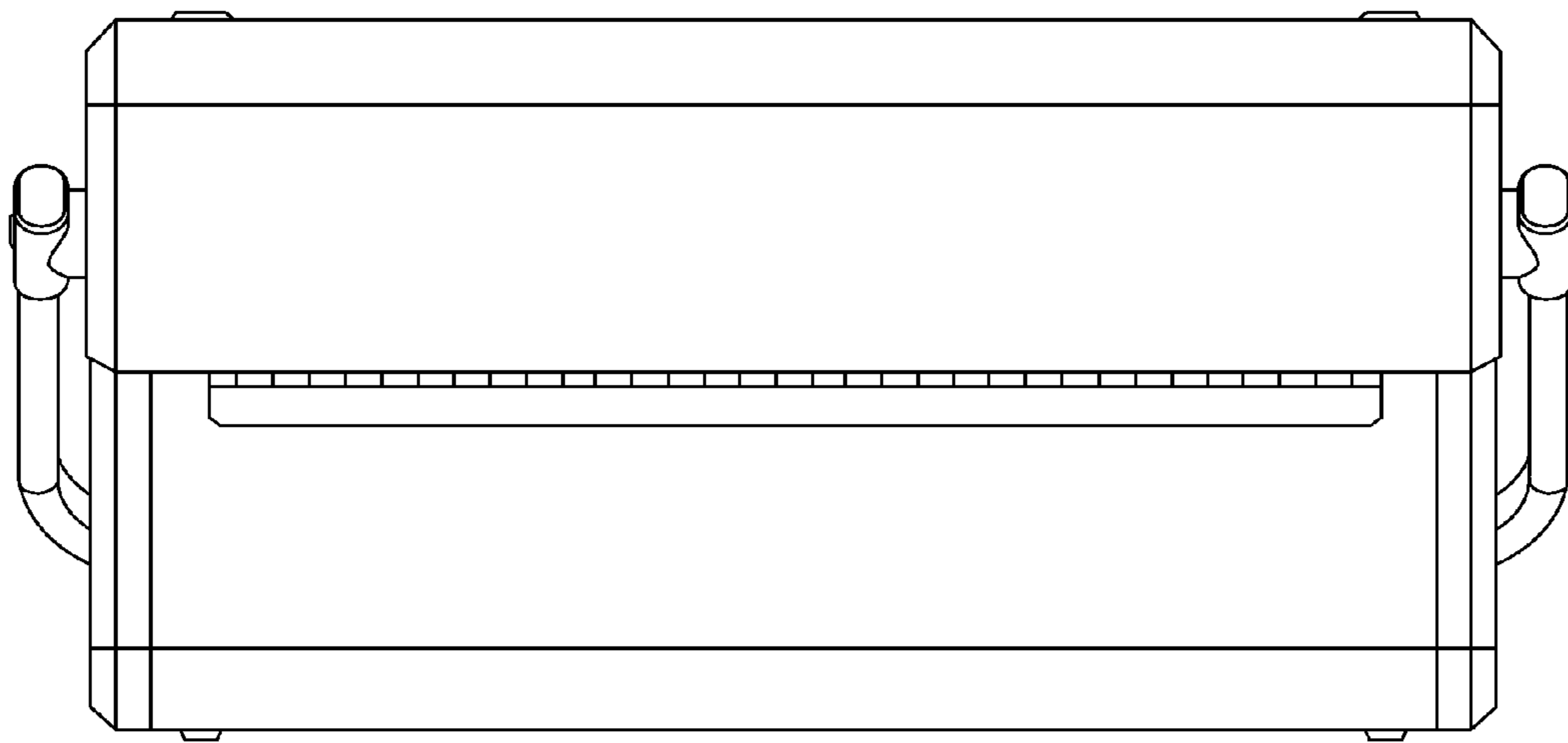


FIG. 14