



US00D728931S

(12) **United States Design Patent**
Faupel

(10) **Patent No.:** **US D728,931 S**

(45) **Date of Patent:** **** May 12, 2015**

(54) **STORAGE BOX**

(71) Applicant: **Blue Frog Group LLC**, Chelsea, MI (US)

(72) Inventor: **Corey Faupel**, Chelsea, MI (US)

(73) Assignee: **Blue Frog Group, LLC**, Chelsea, MI (US)

(**) Term: **14 Years**

(21) Appl. No.: **29/467,842**

(22) Filed: **Sep. 24, 2013**

(51) **LOC (10) Cl.** **03-01**

(52) **U.S. Cl.**
USPC **D3/274; D3/295; D3/296**

(58) **Field of Classification Search**
CPC . B25H 3/02–3/028; B25H 3/00; B25H 3/003; B25H 3/006
USPC D3/276, 279, 281, 282, 284, 291, 294, D3/295, 297, 298, 901, 905, 288, 292, 273, D3/302, 259; 206/372–379, 1.7, 541, 545; 220/523–528; D7/605; 190/11, 12 A, 190/12 R

See application file for complete search history.

(56) **References Cited**

U.S. PATENT DOCUMENTS

598,801	A *	2/1898	Minter	220/529
D48,639	S *	2/1916	Johnson	D3/272
1,924,494	A *	8/1933	Gelinas	190/12 R
2,156,776	A *	5/1939	Drover	312/289
2,525,208	A *	10/1950	Clink	312/107

(Continued)

OTHER PUBLICATIONS

“Yeti Tundra 35 Cooler 7.2 gal. capacity-421926—Gander Mountain” retrieved from <http://www.gandermountain.com/modperl/>

product/details.cgi?pdesc=Yeti-Tundra-35-Cooler-7-2-gal-capacity&i=421926 on Feb. 18, 2014.

(Continued)

Primary Examiner — Jennifer Rivard

Assistant Examiner — April Rivas

(74) *Attorney, Agent, or Firm* — Vivacqua Law, PLLC; Raymond J. Vivacqua; Steven L. Crane

(57) **CLAIM**

The ornamental design for a storage box, as shown and described.

DESCRIPTION

FIG. 1 is a front view of the storage box in an open configuration, showing my new design;

FIG. 2 is a front view thereof in a closed configuration;

FIG. 3 is a left side view thereof in an open configuration, the right side view (not shown) being a mirror image of the left side view;

FIG. 4 is a left side view thereof in a closed configuration, the right side view (not shown) being a mirror image of the left side view;

FIG. 5 is a bottom view thereof in an open configuration;

FIG. 6 is a bottom view thereof in a closed configuration;

FIG. 7 is a top view thereof in an open configuration;

FIG. 8 is a top view thereof in a closed configuration;

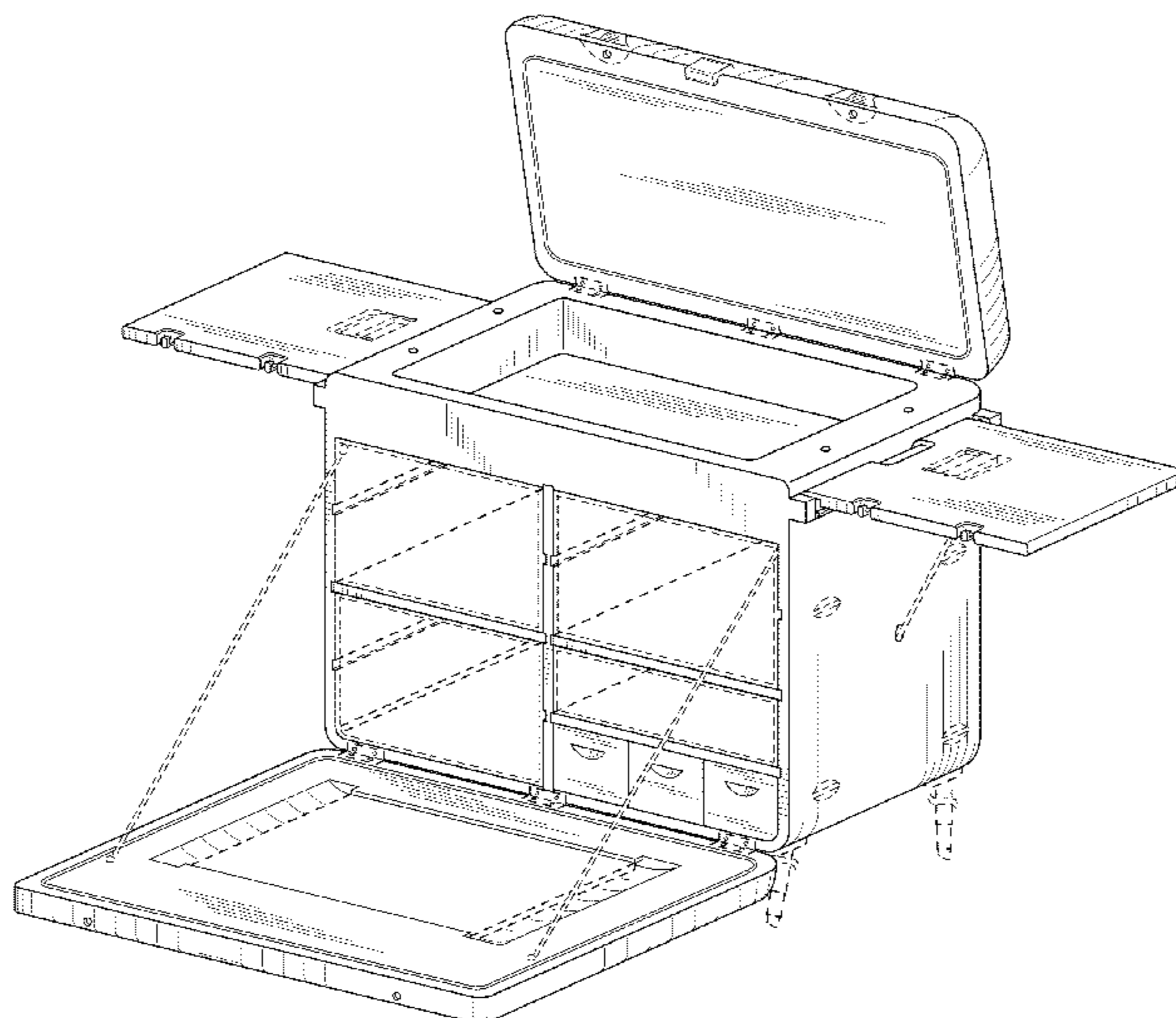
FIG. 9 is a rear view thereof in an open configuration;

FIG. 10 is a rear view thereof in a closed configuration; and,

FIG. 11 is a perspective view thereof.

The broken lines immediately adjacent the compartment interiors in FIGS. 1 and 11 represent the bounds of the claim. The remaining broken lines illustrate portions of the storage box. None of the broken lines forms part of the claimed design.

1 Claim, 10 Drawing Sheets



(56)

References Cited

U.S. PATENT DOCUMENTS

2,603,500	A *	7/1952	Messier	280/30
2,702,225	A *	2/1955	Hawkins	312/311
D219,913	S *	2/1971	Malm	D34/19
D272,111	S *	1/1984	Anzalone	D6/400
5,366,071	A *	11/1994	Laszlo	206/218
D353,046	S *	12/1994	Whitaker	D3/273
5,497,878	A *	3/1996	Sandonato	206/372
D485,682	S *	1/2004	Wolf	D3/295
7,451,709	B2 *	11/2008	Swartfager et al.	108/14
7,901,018	B2 *	3/2011	Baughman	312/240
D648,128	S *	11/2011	Clayton	D3/279
D708,812	S *	7/2014	Freeman	D99/5
2009/0090718	A1 *	4/2009	Bridges et al.	220/324

OTHER PUBLICATIONS

“Yeti Tundra 45 Cooler 9.4 gal. capacity-421927—Gander Mountain” retrieved from <http://www.gandermountain.com/modperl/product/details.cgi?pdesc=Yeti-Tundra-35-Cooler-7-2-gal-capacity&i=421926> on Feb. 18, 2014.

“Yeti Tundra 50 Cooler 11.8 gal. capacity-421928—Gander Mountain” retrieved from <http://www.gandermountain.com/modperl/>

[product/details.cgi?pdesc=Yeti-Tundra-35-Cooler-7-2-gal-capacity&i=421926](http://www.gandermountain.com/modperl/product/details.cgi?pdesc=Yeti-Tundra-35-Cooler-7-2-gal-capacity&i=421926) on Feb. 18, 2014.

“Yeti Tundra 65 Cooler 14.3 gal. capacity-421929—Gander Mountain” retrieved from <http://www.gandermountain.com/modperl/product/details.cgi?pdesc=Yeti-Tundra-35-Cooler-7-2-gal-capacity&i=421926> on Feb. 18, 2014.

“Yeti Tundra 75 Cooler 18.7 gal. capacity-445635—Gander Mountain” retrieved from <http://www.gandermountain.com/modperl/product/details.cgi?pdesc=Yeti-Tundra-75-Cooler-18-7-gal-capacity&i=445635&r=view&from=grid> on Feb. 18, 2014.

“Yeti Tundra 105 Cooler 21.8 gal. capacity-421931—Gander Mountain” retrieved from <http://www.gandermountain.com/modperl/product/details.cgi?pdesc=Yeti-Tundra-105-Cooler-21-8-gal-capacity&i=421931&r=view&from=grid> on Feb. 18, 2014.

“Yeti Tundra 125 Cooler YT125W White-726303—Gander Mountain” retrieved from <http://www.gandermountain.com/modperl/product/details.cgi?pdesc=Yeti-Tundra-125-Cooler-YT125W-White&i=726303&r=view&from=grid> on Feb. 18, 2014.

“Yeti Tundra 250 Cooler 58.1 gal. capacity-421934—Gander Mountain” retrieved from <http://www.gandermountain.com/modperl/product/details.cgi?pdesc=Yeti-Tundra-250-Cooler-58-1-gal-capacity&i=421934&r=view&from=grid> on Feb. 18, 2014.

* cited by examiner

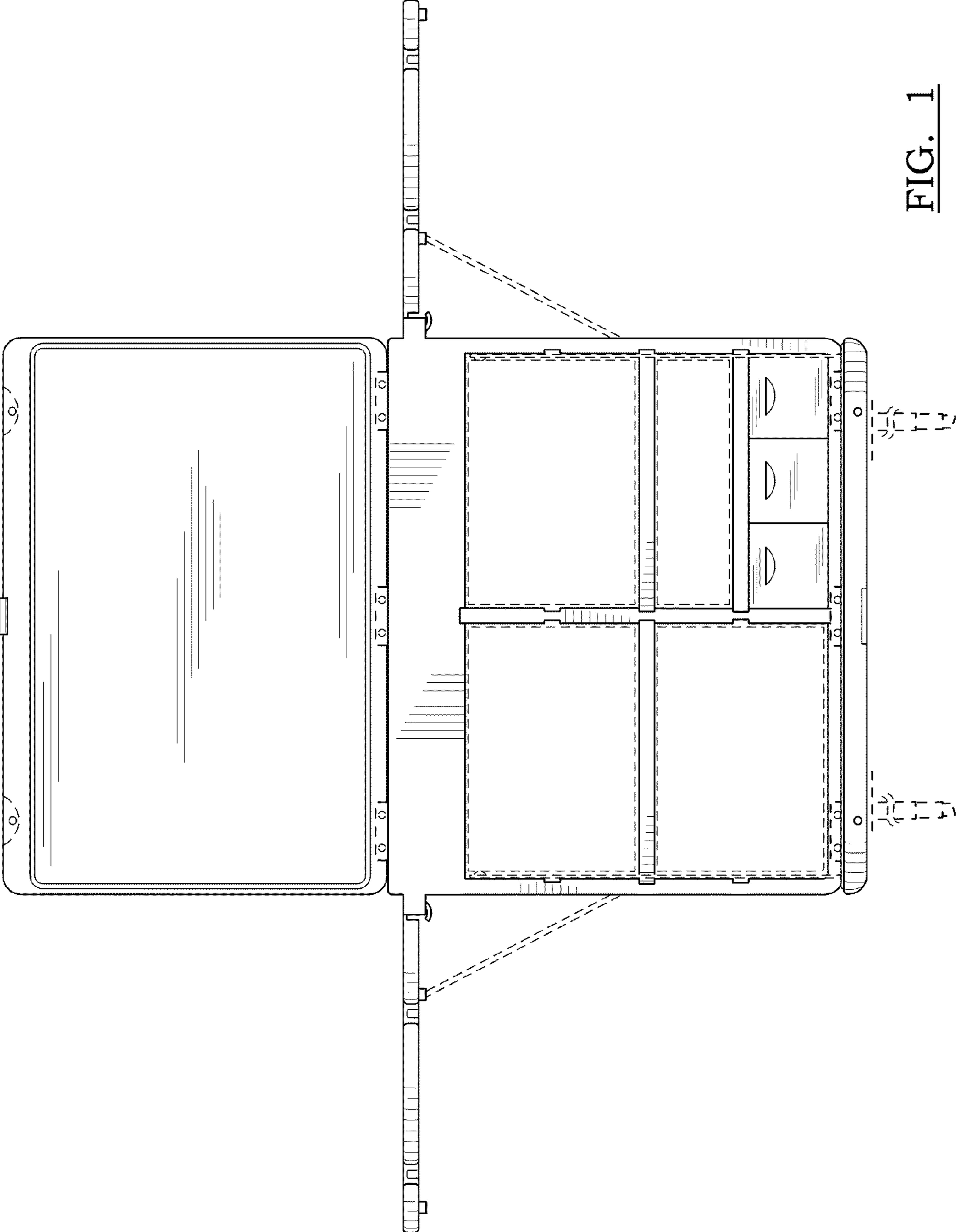


FIG. 1

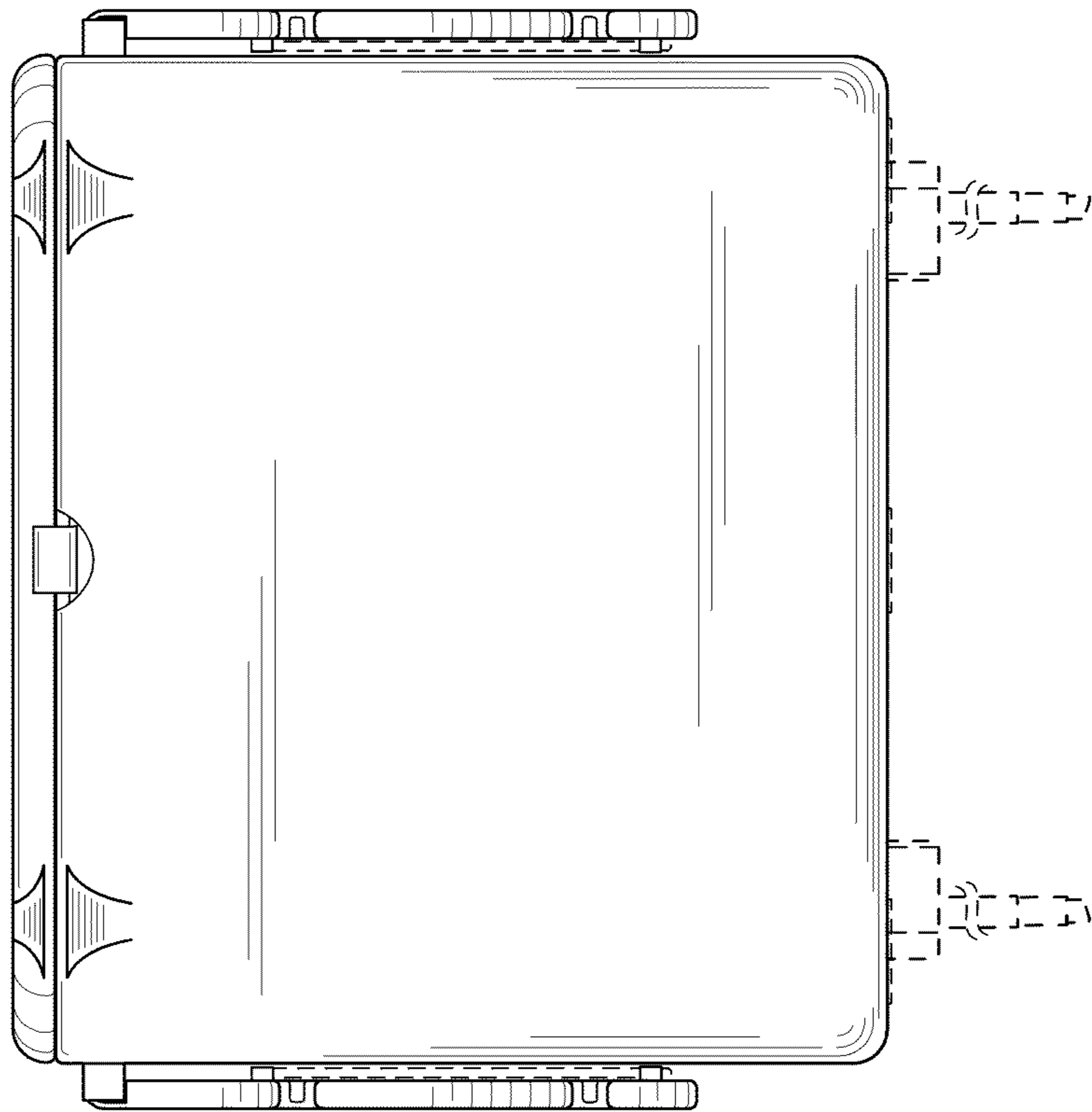
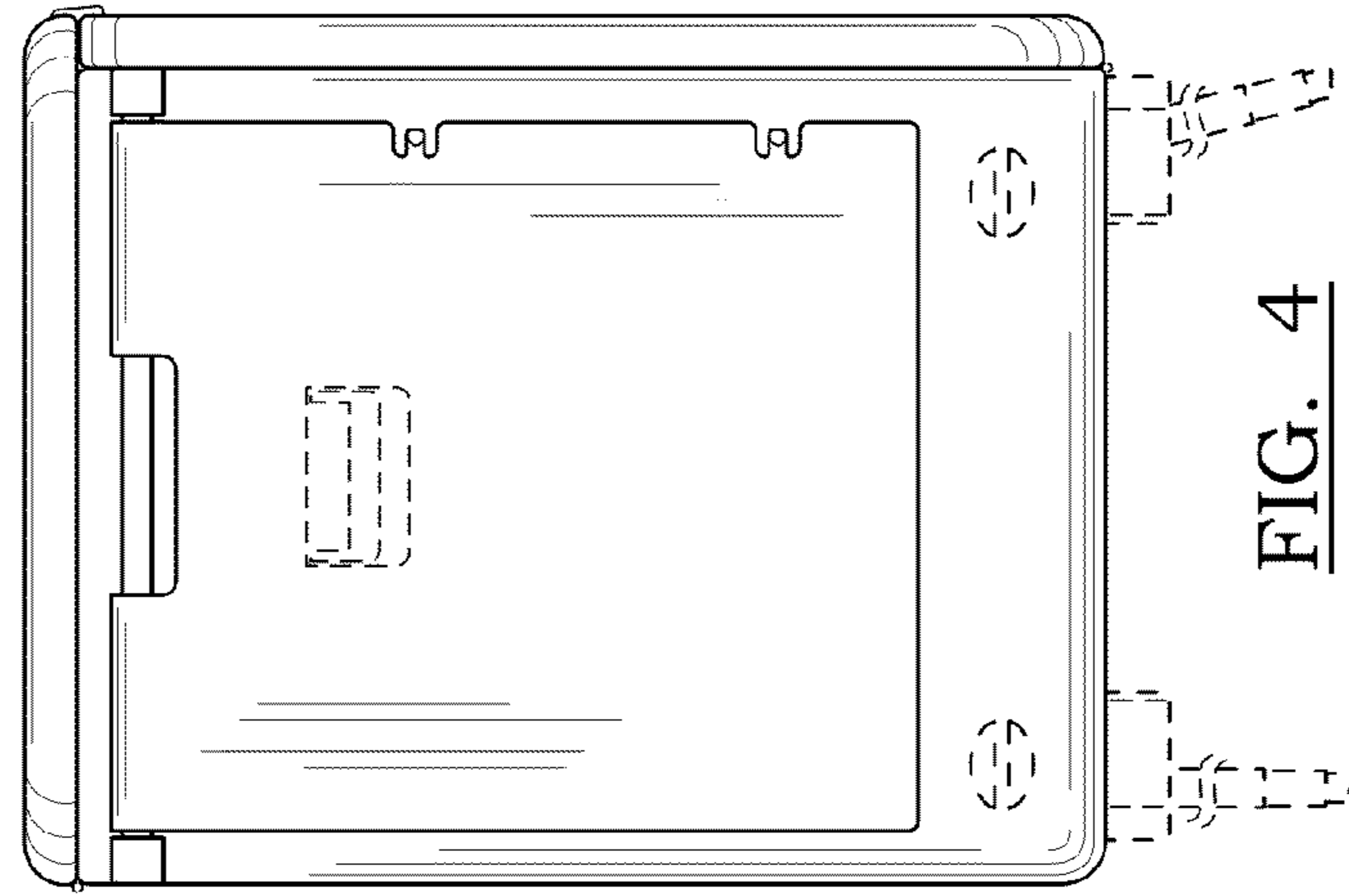
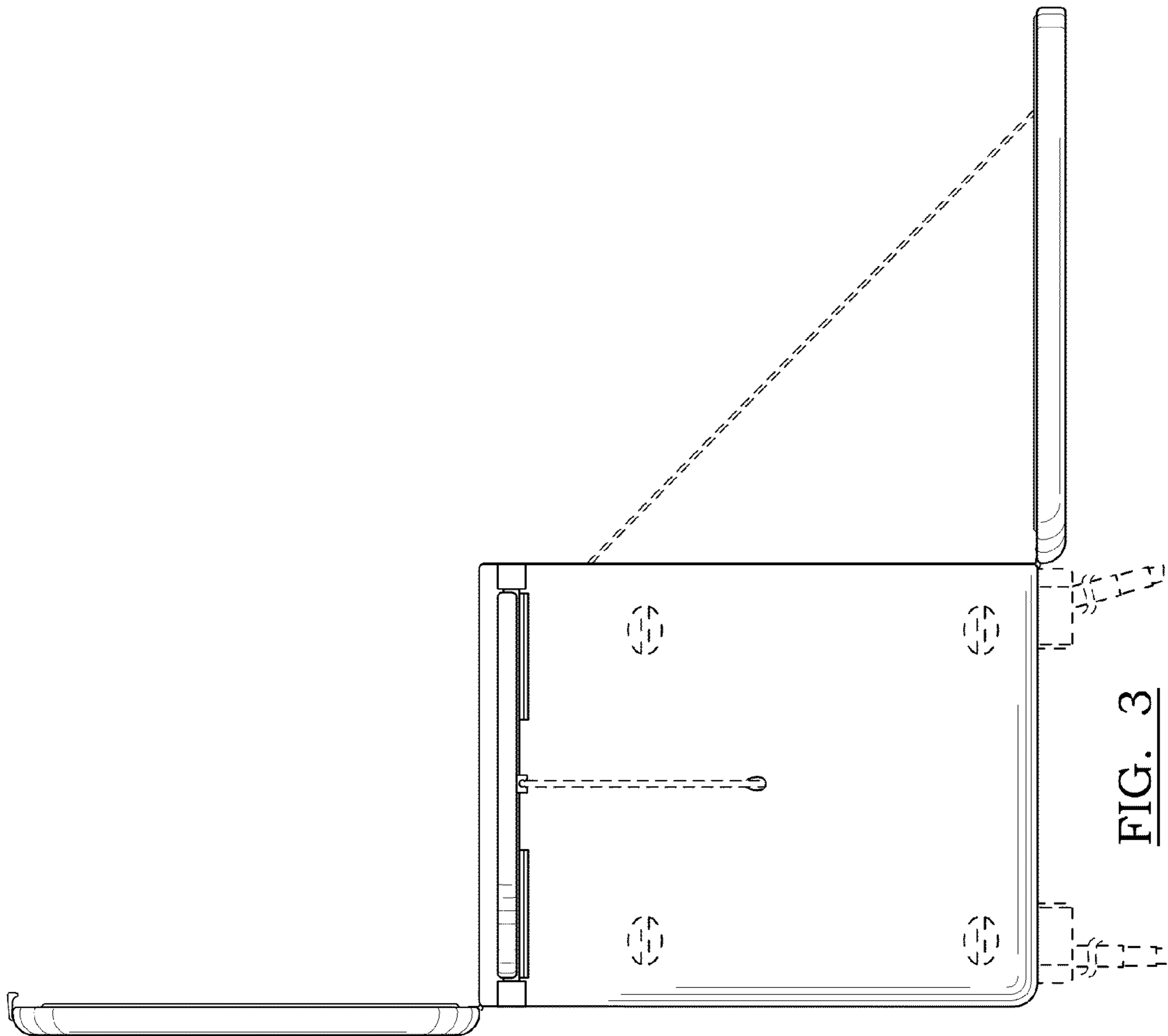


FIG. 2



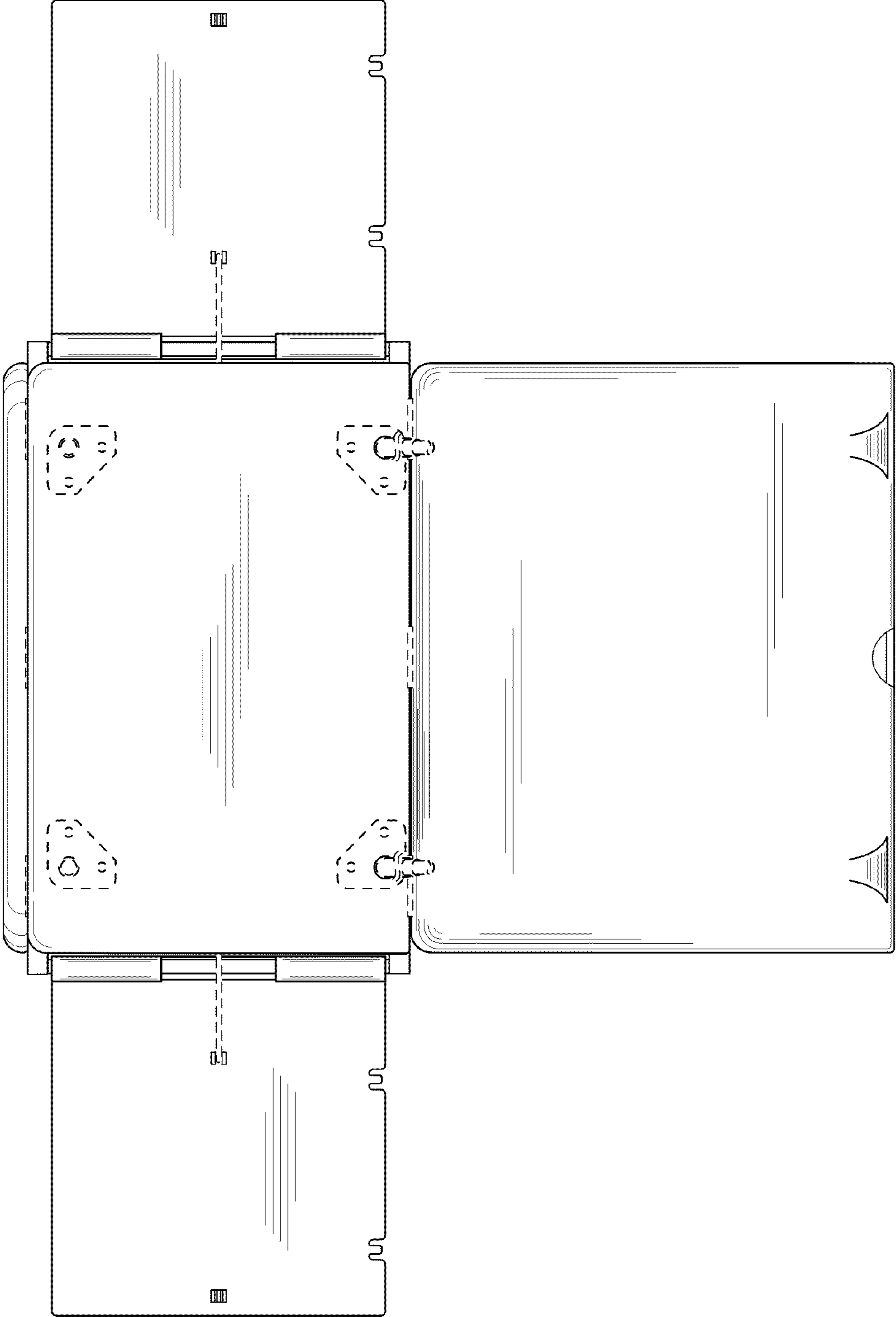


FIG. 5

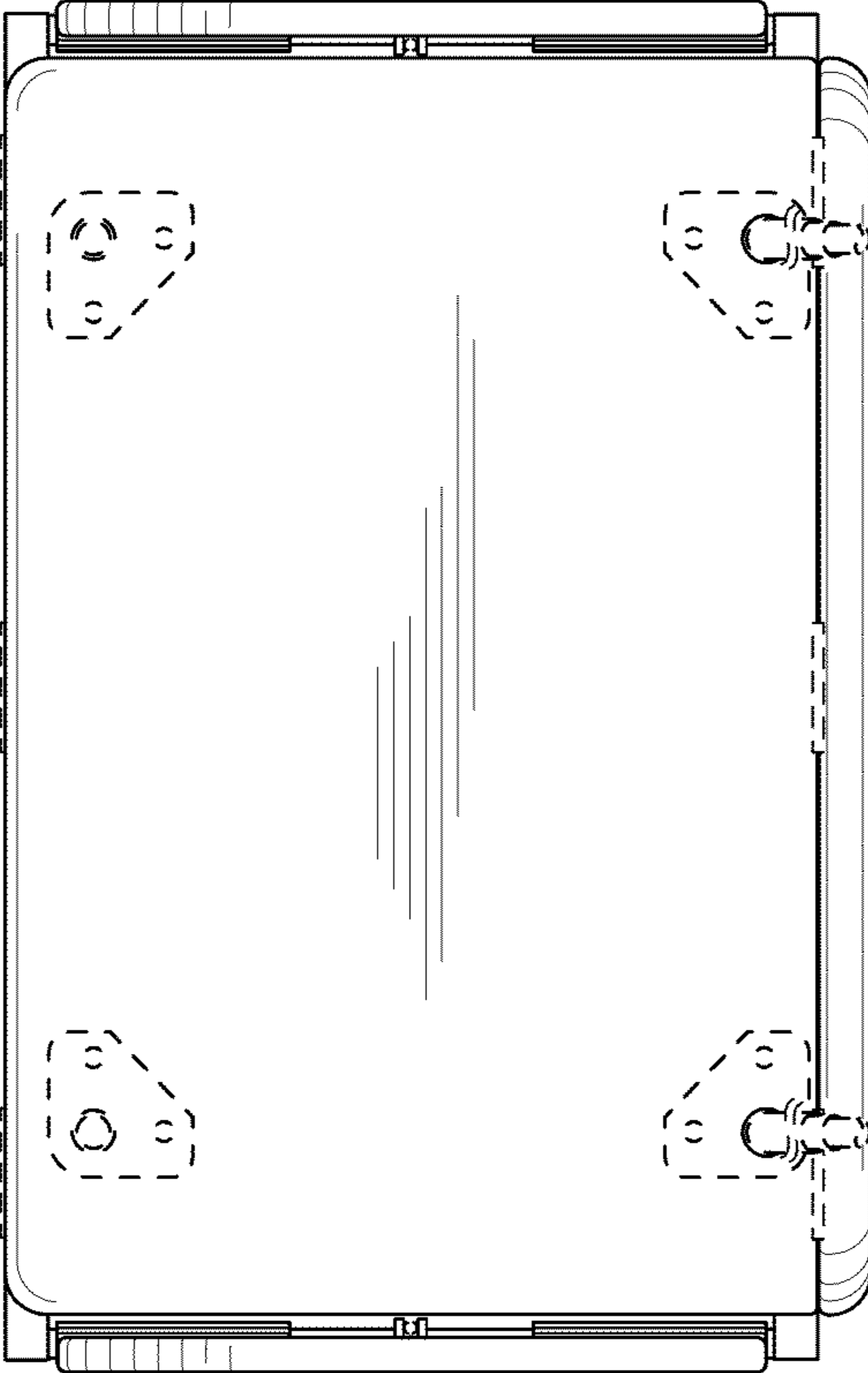


FIG. 6

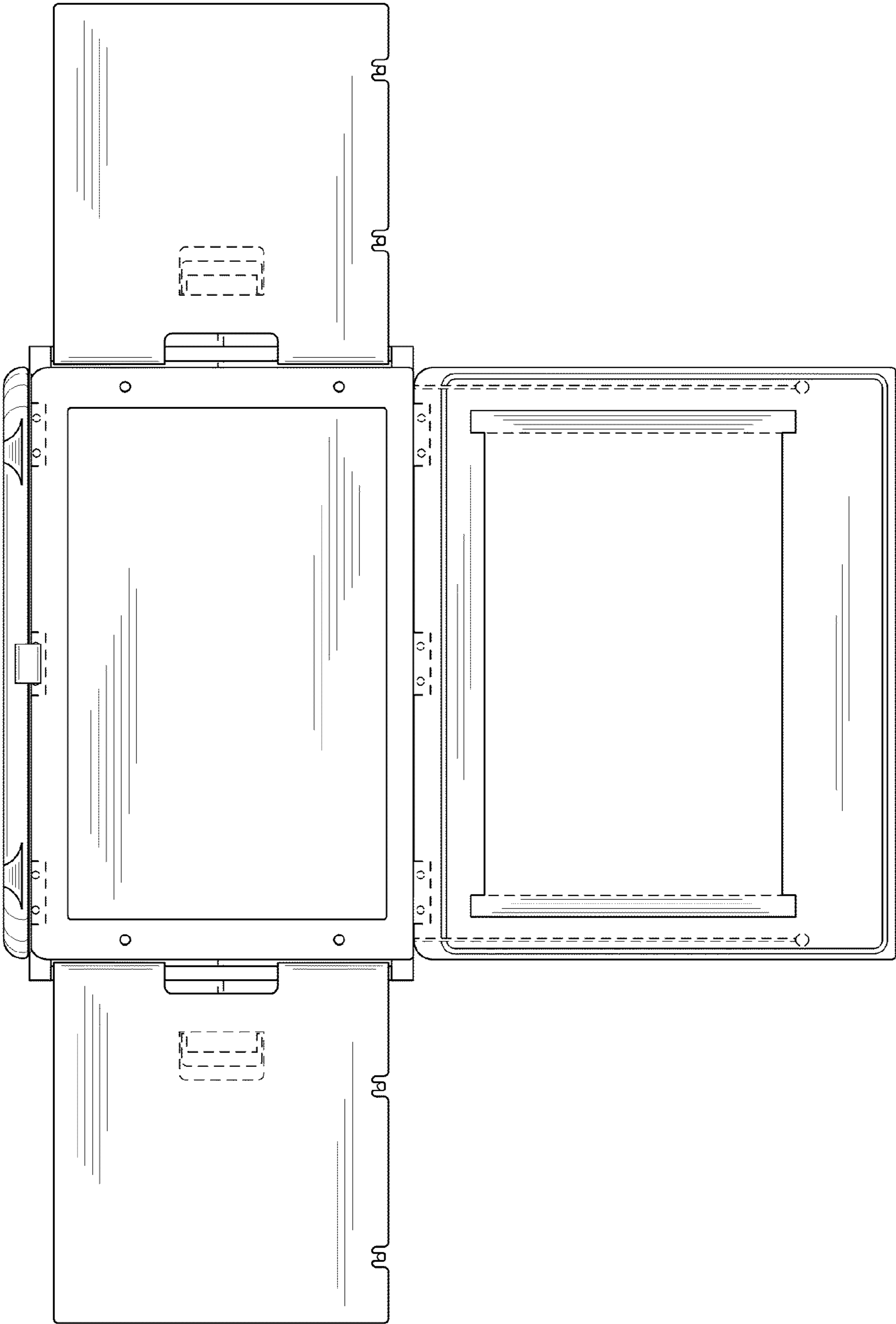


FIG. 7

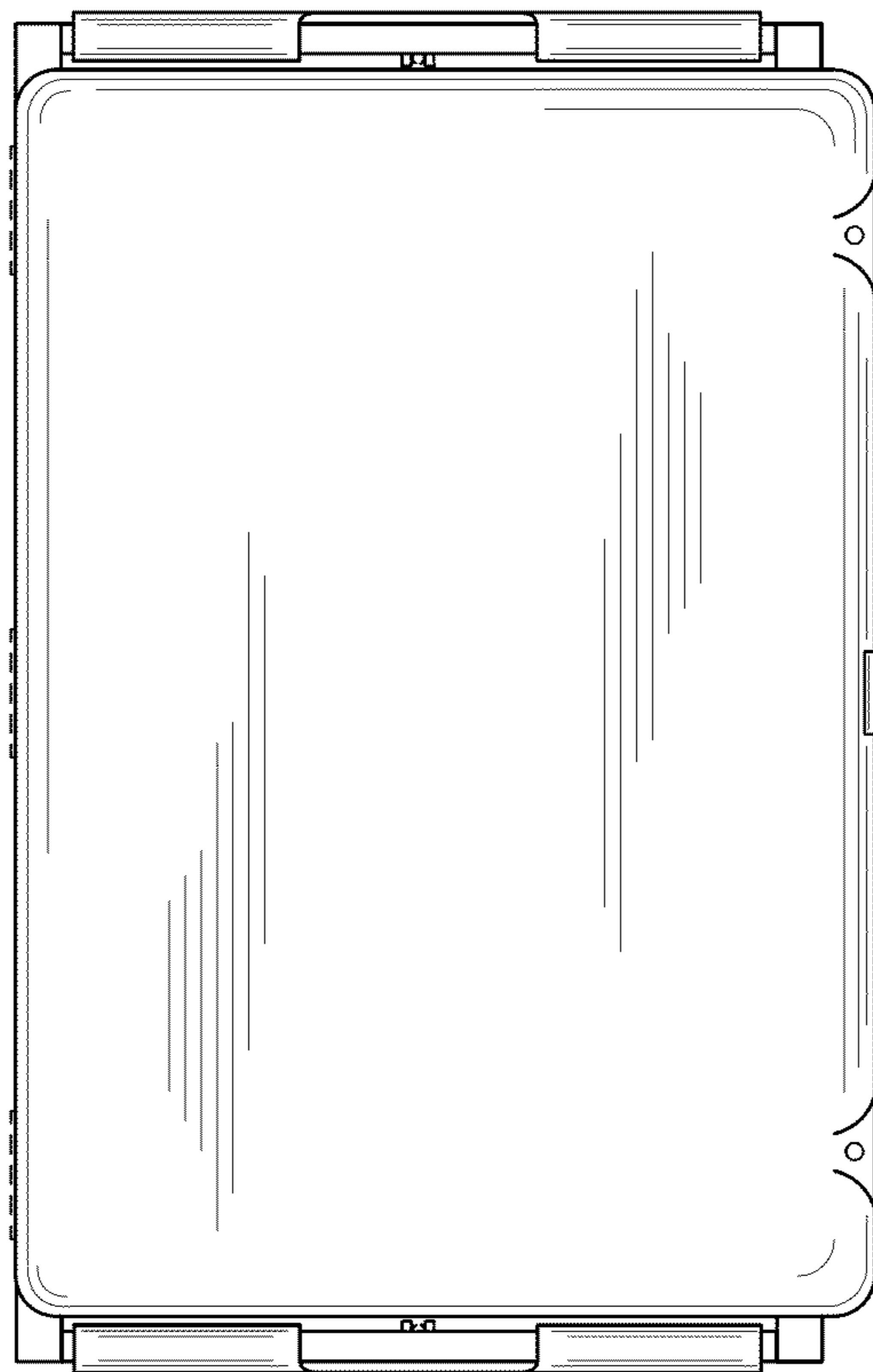


FIG. 8

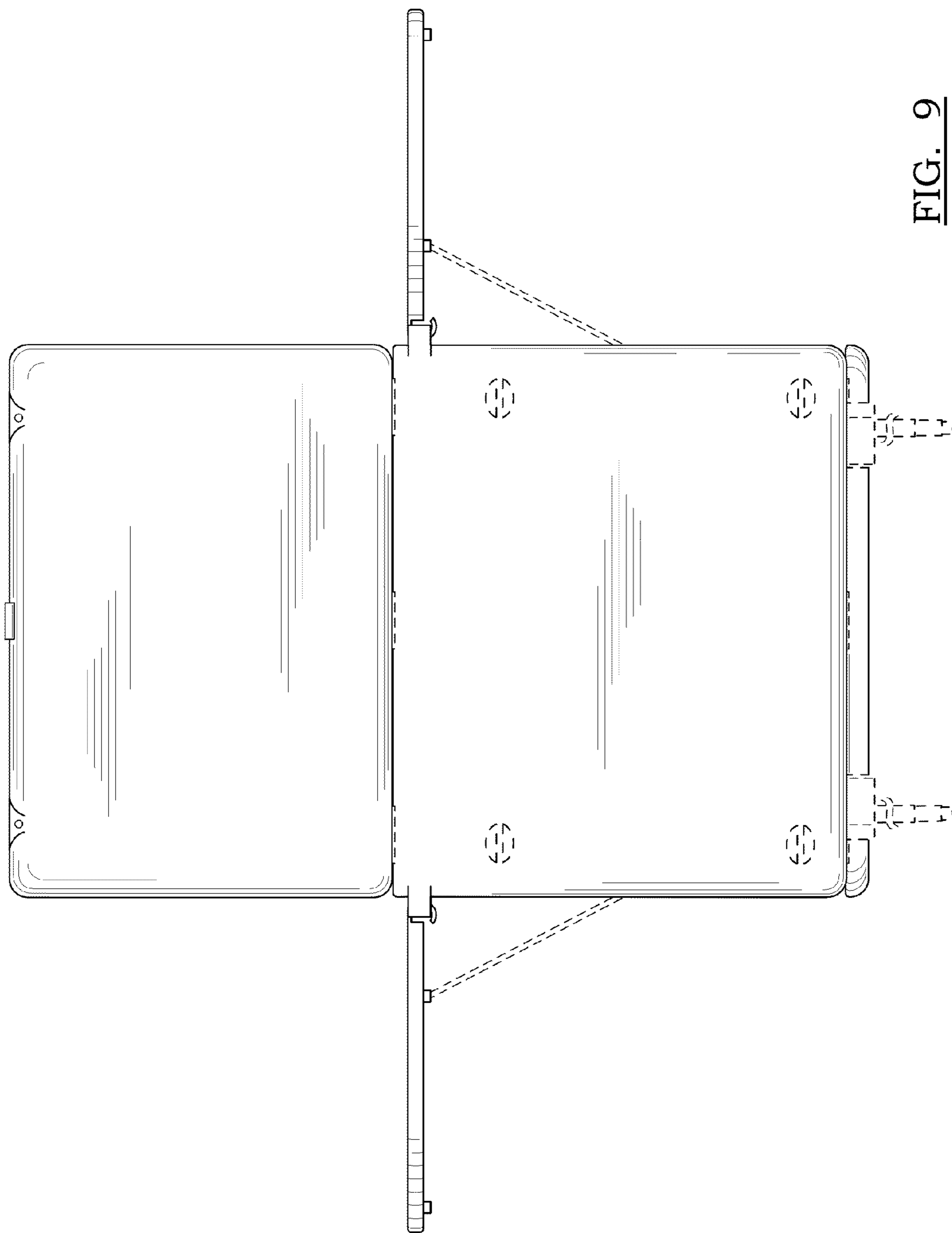


FIG. 9

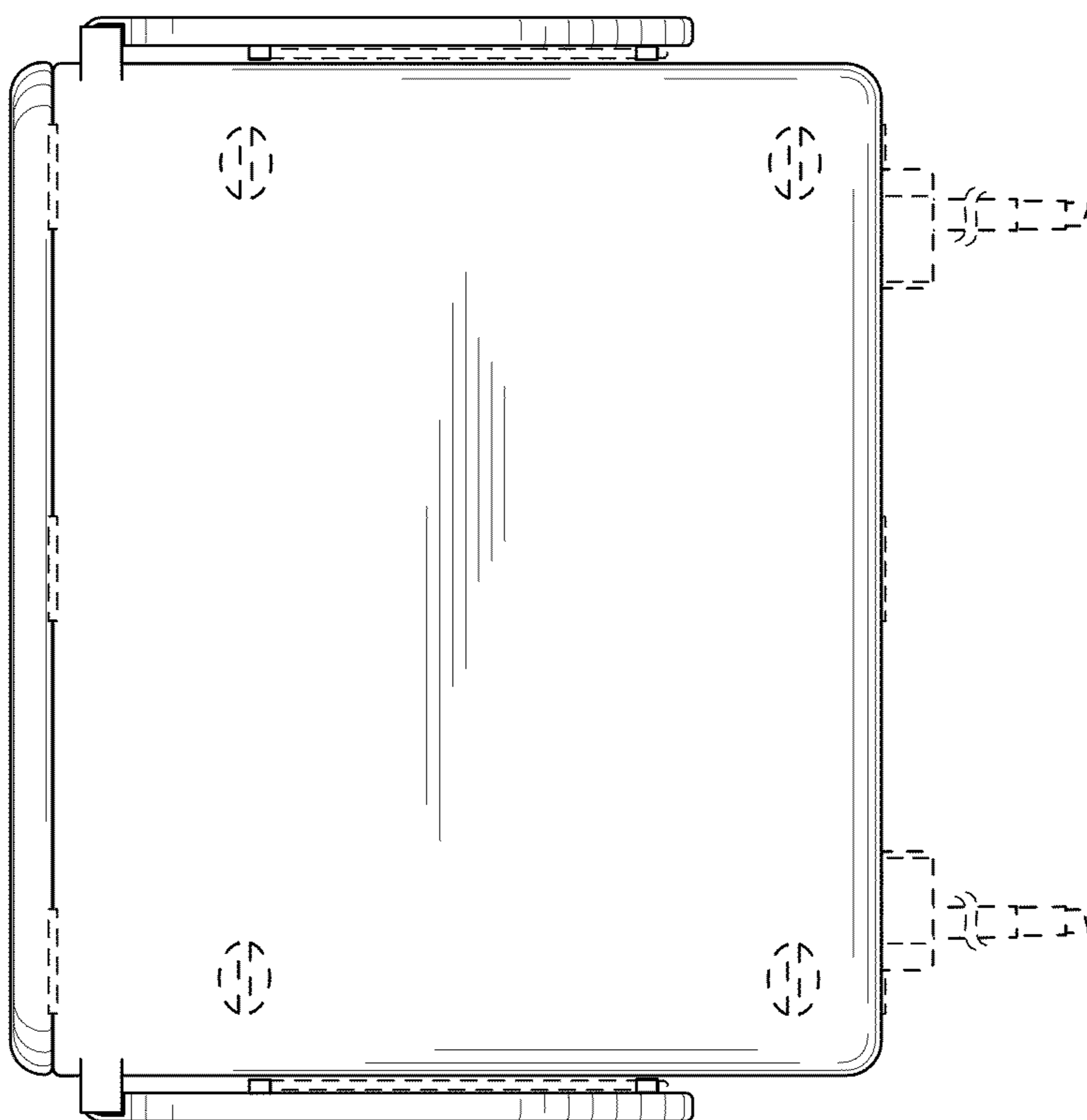


FIG. 10

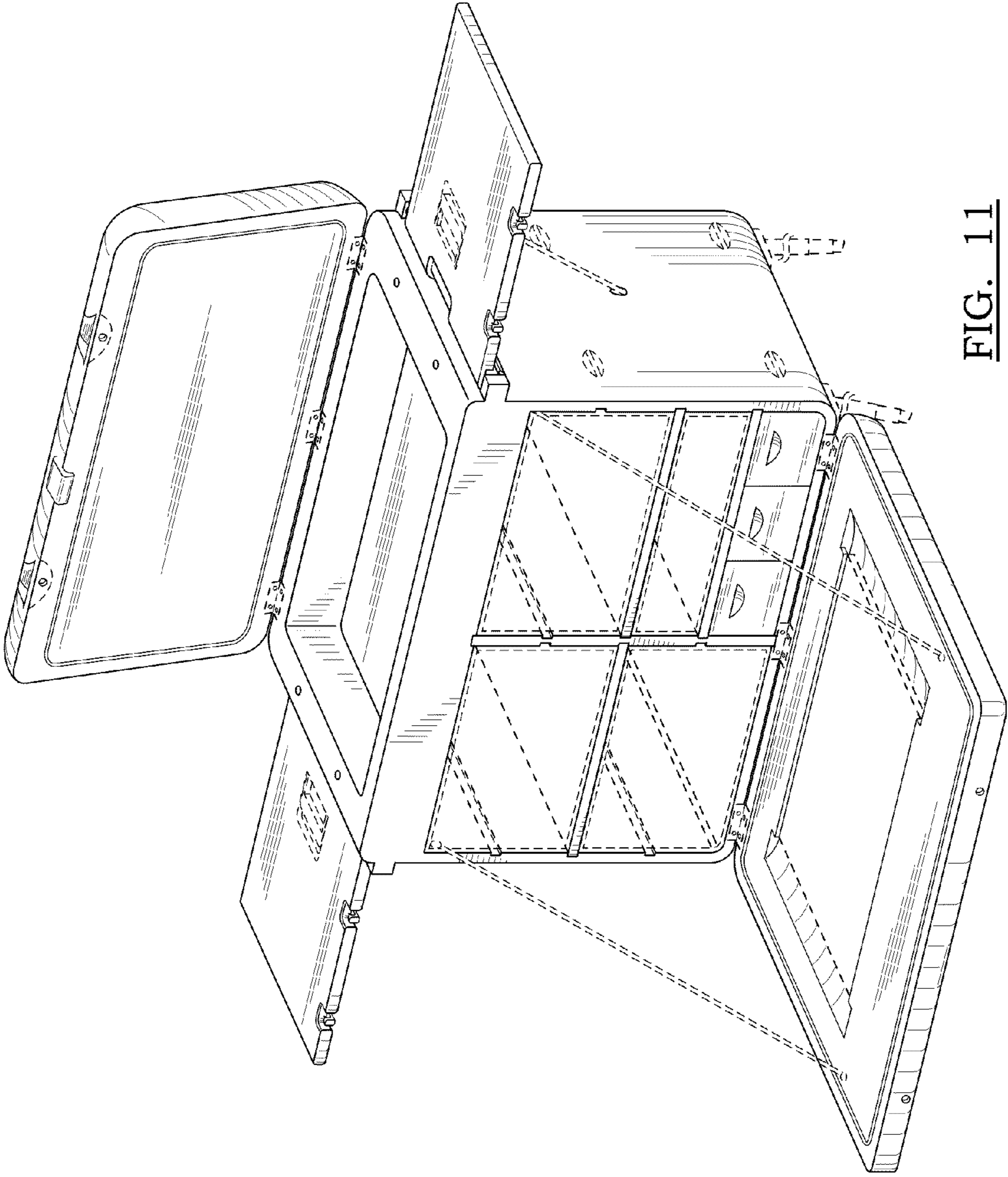


FIG. 11