



US00D728930S

(12) **United States Design Patent**  
**Kalbach**

(10) **Patent No.:** **US D728,930 S**  
(45) **Date of Patent:** **\*\* May 12, 2015**

(54) **DEVICE HOLDER**

(71) Applicant: **EK Ekcessories, Inc.**, Logan, UT (US)

(72) Inventor: **Edward Van Lee Kalbach**, Nibley, UT (US)

(73) Assignee: **EK Ekcessories, Inc.**, Logan, UT (US)

(\*\*) Term: **14 Years**

(21) Appl. No.: **29/485,085**

(22) Filed: **Mar. 14, 2014**

(51) **LOC (10) Cl.** ..... **03-01**

(52) **U.S. Cl.**  
USPC ..... **D3/247**

(58) **Field of Classification Search**

CPC ..... A45C 1/06

USPC ..... D3/247, 249-253

See application file for complete search history.

(56) **References Cited**

**U.S. PATENT DOCUMENTS**

452,830 A	5/1891	Bowie et al.
652,891 A	7/1900	Cochran
D49,184 S	6/1916	Helm
1,270,207 A	6/1918	Preston
1,509,781 A	9/1924	Roth
1,803,214 A	4/1931	Siegel
1,819,738 A	8/1931	Daniel
2,481,946 A	9/1949	Pendleton
2,539,922 A	1/1951	Nyberg
2,572,889 A	10/1951	Strykower
2,660,092 A	11/1953	Bloom
2,704,961 A	3/1955	Well
2,775,804 A	1/1957	Ayoub
2,783,926 A	3/1957	Wise
2,947,456 A	8/1960	Seron
3,397,026 A	8/1968	Spina
3,450,467 A	6/1969	Phillips

D216,075 S	11/1969	D'Elia et al.
D222,150 S	10/1971	McCarty
3,874,776 A	4/1975	Seron
3,879,804 A	4/1975	Lawrence
D237,760 S	11/1975	Woods
D237,845 S	12/1975	Keizo
3,927,808 A	12/1975	Steen
D245,728 S	9/1977	Rials
4,133,604 A	1/1979	Fuller
4,156,574 A	5/1979	Boden
4,171,555 A	10/1979	Bakker et al.
D265,638 S	8/1982	Barr
D273,440 S	4/1984	Fulwiler
D278,369 S	4/1985	Pringle et al.

(Continued)

**OTHER PUBLICATIONS**

"J.A.M. Plastics, Inc. Catalog" Oct. 1, 1996, Anaheim California.

(Continued)

*Primary Examiner* — Holly Baynham

(74) *Attorney, Agent, or Firm* — TraskBritt

(57) **CLAIM**

The ornamental design for a device holder, as shown and described.

**DESCRIPTION**

FIG. 1 is a rear perspective view of a device holder showing my new design;

FIG. 2 is a front perspective view of the device holder shown in FIG. 1;

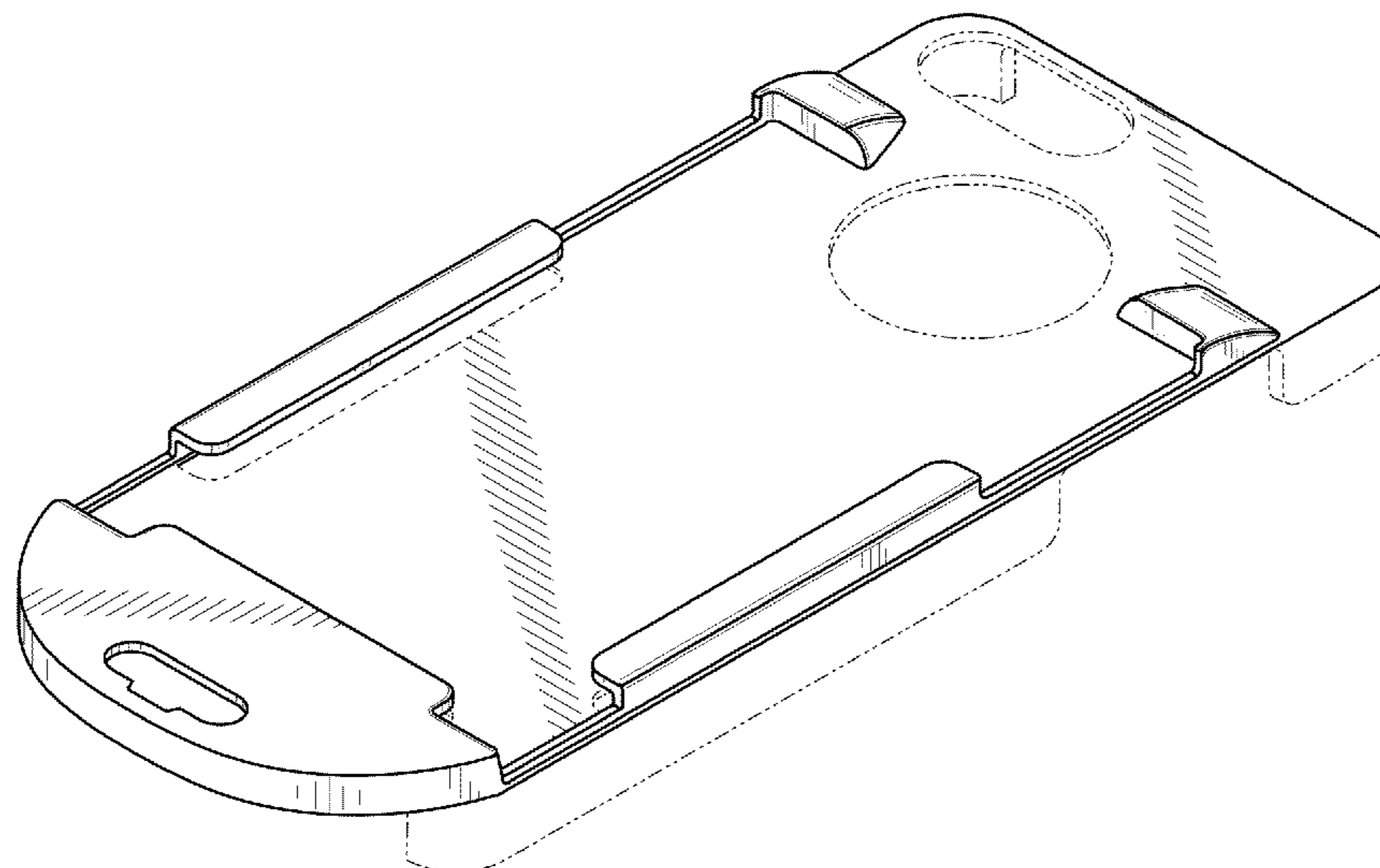
FIG. 3 is a rear view of the device holder shown in FIG. 1;

FIG. 4 is a front view of the device holder shown in FIG. 1;

FIG. 5 is a first side view of the device holder shown in FIG. 1; and,

FIG. 6 is a second side view of the device holder shown in FIG. 1.

**1 Claim, 3 Drawing Sheets**



(56)

References Cited

U.S. PATENT DOCUMENTS

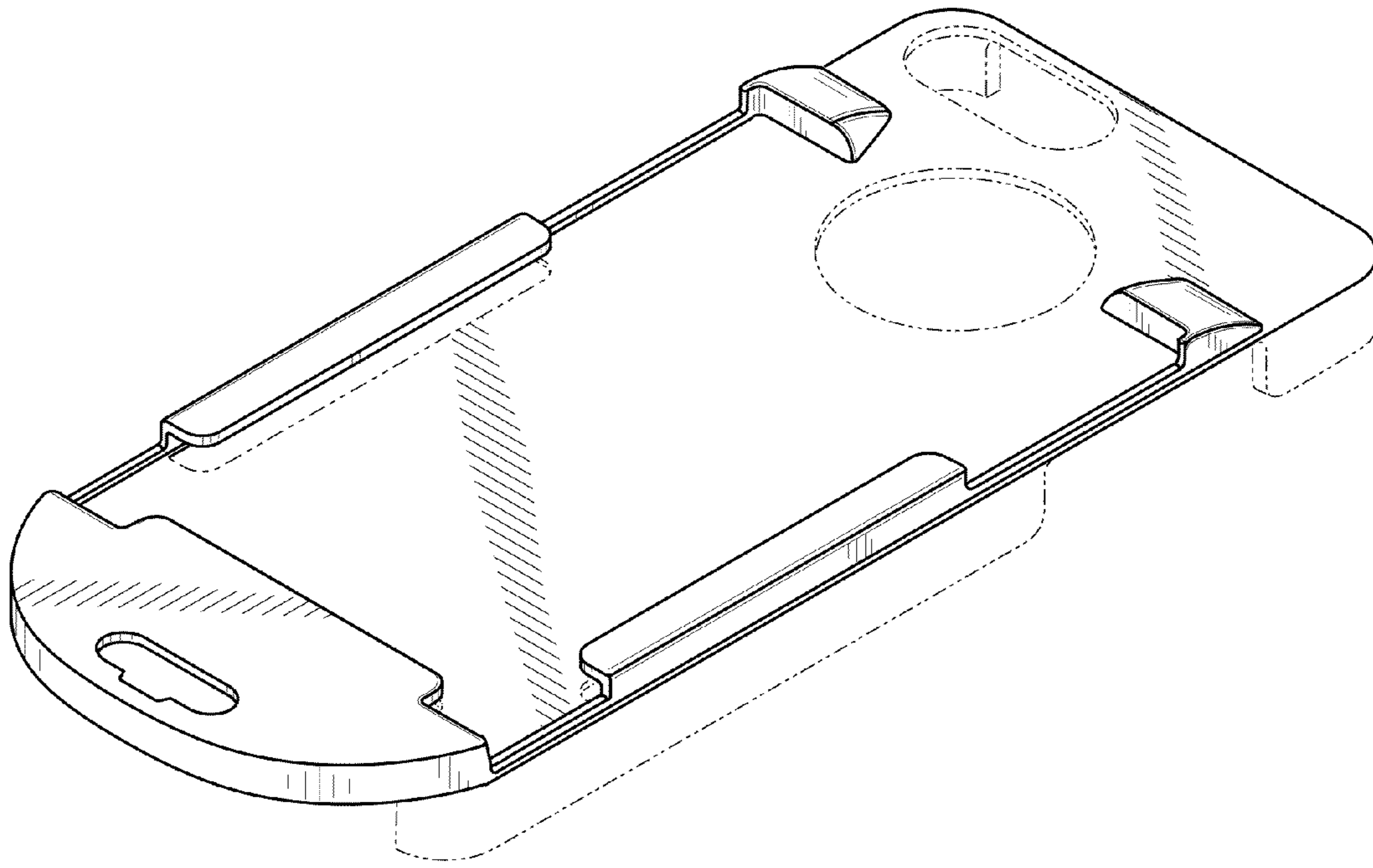
4,541,696 A 9/1985 Winger et al.  
 D285,865 S 9/1986 Gamble  
 4,657,364 A 4/1987 Murrell  
 D290,964 S 7/1987 Kalbach  
 D291,894 S 9/1987 Weisenfeld et al.  
 4,696,556 A 9/1987 Perry, III  
 D292,543 S 11/1987 Smith  
 D292,750 S 11/1987 Smith  
 D293,043 S 12/1987 Zamboni  
 D309,619 S 7/1990 Kalbach  
 D310,305 S 9/1990 Scognamillo et al.  
 D310,448 S 9/1990 Scognamillo et al.  
 4,976,531 A 12/1990 Kahaney  
 4,978,210 A 12/1990 Lundbeck  
 5,002,381 A 3/1991 Murrell  
 5,015,085 A 5/1991 May  
 5,027,477 A 7/1991 Seron  
 D320,367 S 10/1991 Kalbach  
 D320,867 S 10/1991 Kasama  
 5,092,018 A 3/1992 Seron  
 5,092,668 A 3/1992 Welch et al.  
 D328,186 S 7/1992 Hanke  
 D328,908 S 8/1992 Kalbach  
 5,151,778 A 9/1992 Conley  
 5,157,425 A 10/1992 Liu  
 5,215,237 A 6/1993 Wu  
 5,369,452 A 11/1994 Williams  
 D354,759 S 1/1995 Wolff  
 D354,760 S 1/1995 Wolff  
 5,414,903 A 5/1995 Porteous  
 D366,007 S 1/1996 Colpo  
 D371,154 S 6/1996 Kalbach  
 5,575,042 A 11/1996 Kalbach  
 5,582,337 A 12/1996 McPherson et al.  
 D377,562 S 1/1997 Wolfram  
 D382,503 S 8/1997 Kalbach  
 5,654,787 A 8/1997 Barison  
 D383,993 S 9/1997 Kalbach  
 D385,415 S 10/1997 Turbide  
 D386,310 S 11/1997 Smith  
 D386,610 S 11/1997 Wright  
 D392,583 S 3/1998 Hoffman  
 D393,183 S 4/1998 Kurtzman  
 5,842,256 A 12/1998 Anscher  
 5,860,191 A 1/1999 Sieger  
 D414,602 S 10/1999 Bolen et al.  
 D416,038 S 11/1999 Kalbach  
 6,000,795 A 12/1999 Van Rysselberghe  
 D418,774 S 1/2000 Kalbach  
 D423,783 S 5/2000 Steurer  
 6,092,897 A 7/2000 Smerdon, Jr.  
 D432,401 S 10/2000 Kalbach  
 6,182,334 B1 2/2001 Davancens  
 D446,109 S 8/2001 Kalbach  
 D462,513 S 9/2002 Holzhaus et al.  
 D462,523 S 9/2002 Kalbach  
 D467,416 S 12/2002 Kalbach  
 D472,798 S 4/2003 Kalbach  
 D477,709 S 7/2003 Natividad  
 D485,209 S 1/2004 Tracy et al.  
 D486,511 S 2/2004 Kalbach  
 D487,015 S 2/2004 Kalbach  
 6,691,904 B2 2/2004 Pineda  
 6,709,100 B2 3/2004 Kalbach  
 6,711,785 B1 3/2004 Hicks et al.  
 6,752,305 B2 6/2004 Shattuck

D507,110 S 7/2005 Hicks et al.  
 D520,241 S 5/2006 Hicks et al.  
 7,056,028 B2 6/2006 Hosoda et al.  
 D532,201 S 11/2006 Esch  
 D536,173 S 2/2007 Hicks et al.  
 D536,364 S 2/2007 Kalbach  
 D539,697 S 4/2007 Mackay  
 D541,190 S 4/2007 Plzak  
 D541,523 S 5/2007 Zoullas et al.  
 D544,400 S 6/2007 Yoshiguchi  
 D557,008 S 12/2007 Stiller  
 D567,704 S 4/2008 Martin  
 D590,151 S \* 4/2009 Karobkina et al. .... D3/247  
 D601,916 S 10/2009 Moss  
 D619,495 S 7/2010 Herman  
 D621,606 S 8/2010 Marquardt  
 D627,786 S \* 11/2010 Hsia ..... D14/435  
 D628,797 S 12/2010 Kalbach  
 D628,798 S 12/2010 Kalbach  
 D629,331 S 12/2010 Kalbach  
 D634,232 S 3/2011 Kelly et al.  
 D637,478 S 5/2011 Kalbach  
 D638,330 S 5/2011 Fahrendorff et al.  
 D639,642 S 6/2011 Kalbach  
 D644,139 S 8/2011 Kalbach  
 D662,436 S 6/2012 Kalbach  
 D669,115 S 10/2012 Kalbach  
 D672,278 S 12/2012 Kalbach  
 D672,279 S 12/2012 Kalbach  
 D676,618 S 2/2013 Kalbach  
 D677,188 S 3/2013 Kalbach  
 D677,189 S 3/2013 Kalbach  
 D677,842 S 3/2013 Kalbach  
 D679,218 S 4/2013 Kalbach  
 D681,504 S 5/2013 Kalbach  
 D685,189 S \* 7/2013 Adelman et al. .... D3/318  
 D699,144 S 2/2014 Kalbach  
 2004/0001179 A1 1/2004 Kalbach

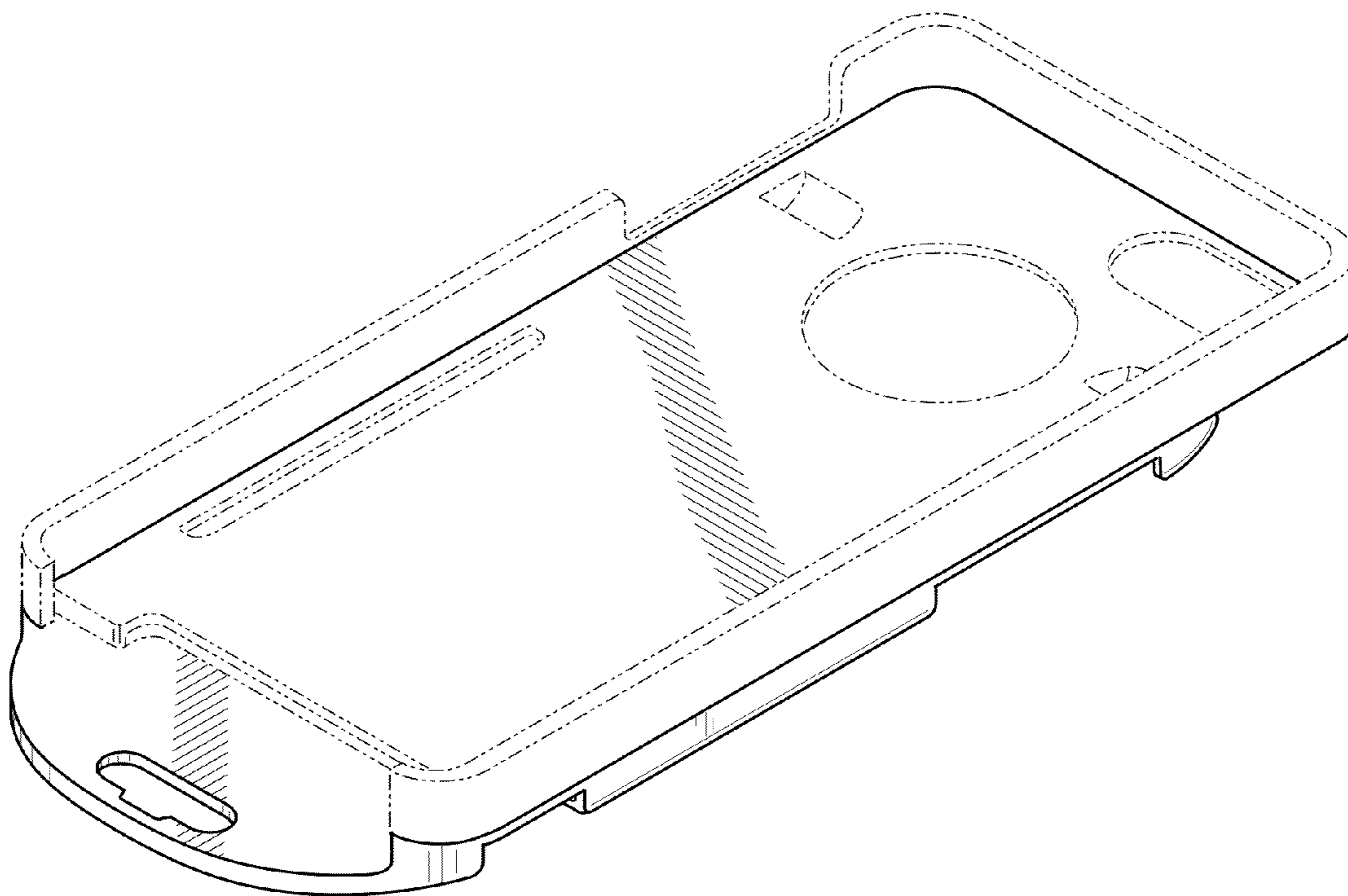
OTHER PUBLICATIONS

“Shockers Eyewear Retainers & Sports Accessories Catalog,” 1989-1999, Newberg, Oregon.  
 “Shockers Eyewear Retainers & Sports Accessories Catalog,” 1997, Portland, Oregon.  
 “SnugZ USA Catalog” Jan. 1, 1997.  
 “SnugZ USA Catalog” Jan. 1, 2000.  
 CIPI—Products—Neckwear & Wristwear—Lanyards, 1997.  
 CIPI—Products—Neckwear & Wristwear—Lanyards, Feb. 13, 1998, Website.  
 CIPI Product Line website visited Dec. 27, 2001.  
 CWA Lanyards, p. 1, Website, at least as early as Feb. 1999.  
 EK Ekcessories Catalog@ ASI Promotion Products, Jan. 1999.  
 EK Ekcessories Catalog@ Aug. 1997.  
 EK Ekcessories Catalog@ Jan. 1998.  
 Ek Ekcessories Pamphlet@ Industrial and Security, at least as early as Mar. 2002.  
 EK Ekcessories, Inc. Product Catalog@ Aug. 1993, pp. 16 and 17.  
 EK Ekcessories, Inc. Product Catalog@ Aug. 1994, pp. 8 and 9.  
 EK Keycessories Catalog@ at least as early as Mar. 2002.  
 IRIS Catalog, Lanyards, at least as early as Feb. 1999.  
 Neon Lanyards . . . Braided nylon lanyards with . . . , 1995-98, Website.  
 Shockers, 1997, Dealer Price List.  
 The Logo Shop Catalog, Logo Watch Co., p. 2, 1997, Logan Utah.  
 XTROS USA@ products flyer, at least as early as Mar. 2002.

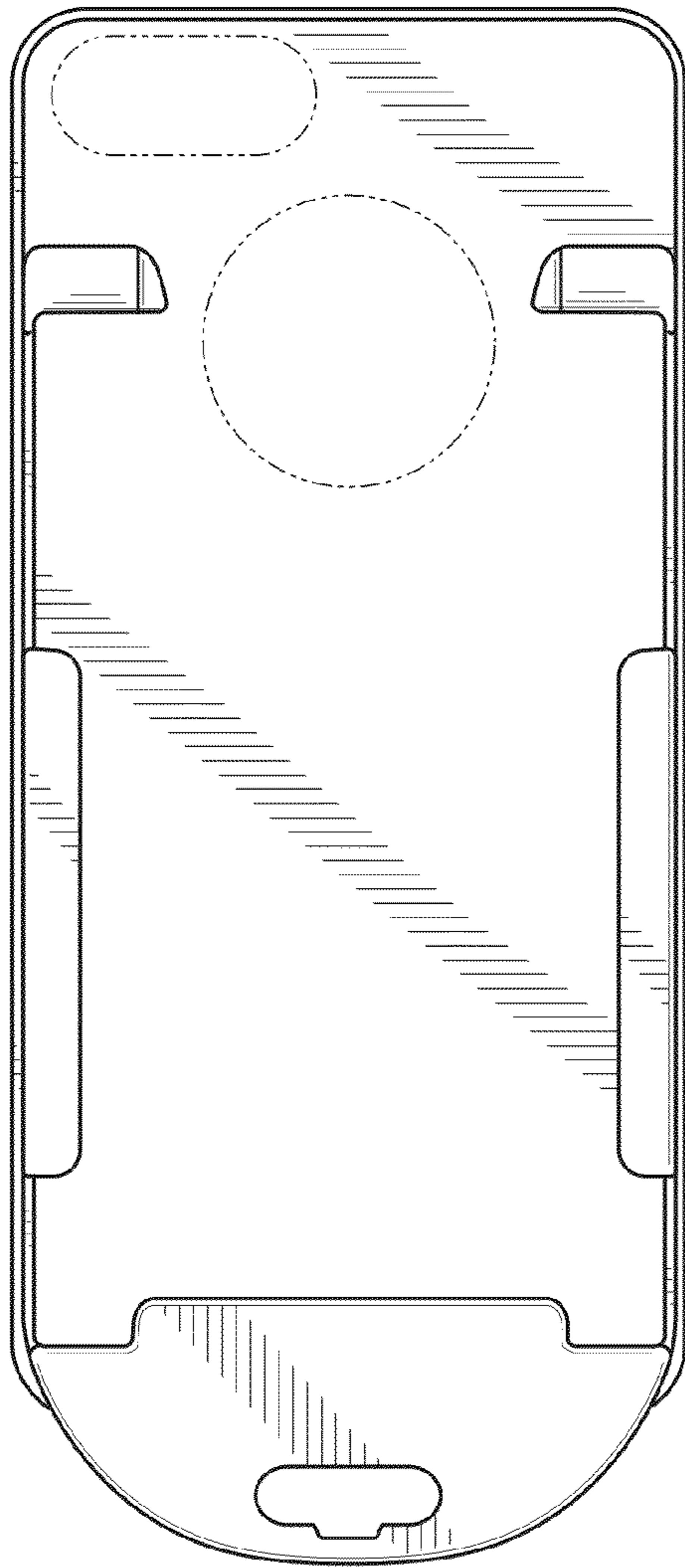
\* cited by examiner



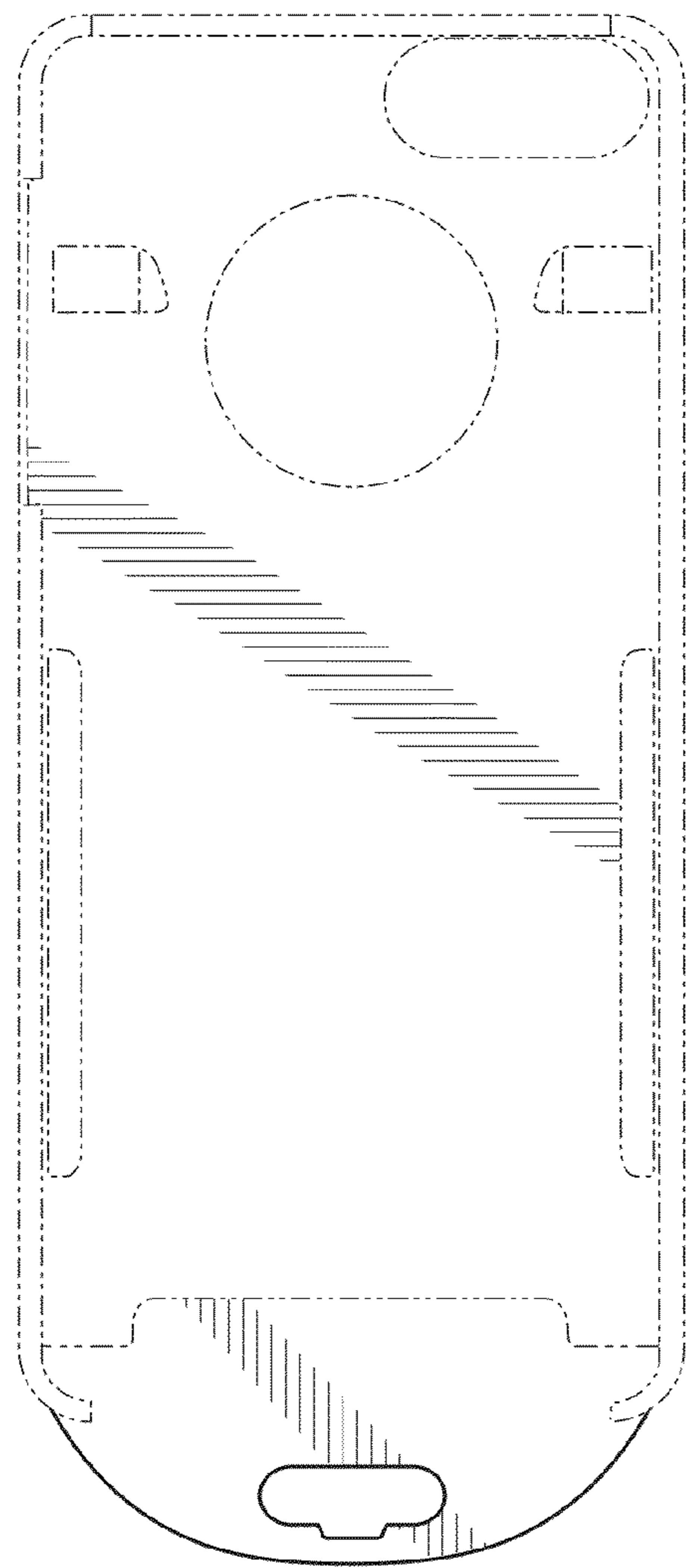
**FIG. 1**



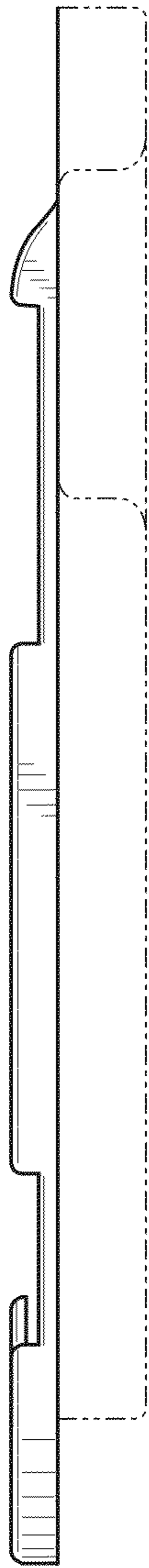
**FIG. 2**



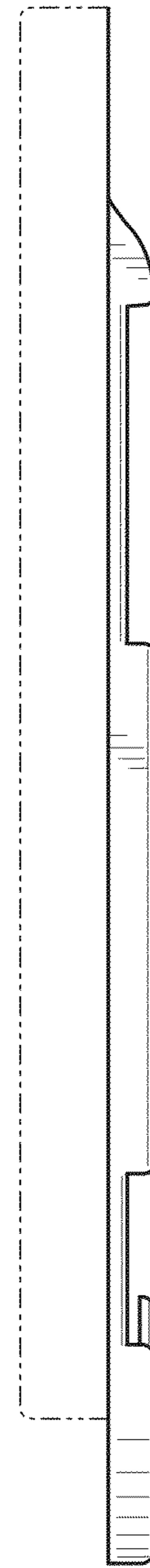
**FIG. 3**



**FIG. 4**



**FIG. 5**



**FIG. 6**