



US00D728928S

(12) **United States Design Patent**
DeChant

(10) **Patent No.:** **US D728,928 S**
(45) **Date of Patent:** **** May 12, 2015**

(54) **VERTICAL BIFOLD CELL PHONE WALLET**
(71) Applicant: **Daniel A. DeChant**, Madison, WI (US)
(72) Inventor: **Daniel A. DeChant**, Madison, WI (US)
(**) Term: **14 Years**
(21) Appl. No.: **29/449,465**
(22) Filed: **Mar. 15, 2013**
(51) **LOC (10) Cl.** **03-01**
(52) **U.S. Cl.**
USPC **D3/247**
(58) **Field of Classification Search**
CPC A45C 1/00; A45C 3/00; A45C 1/02;
A45C 1/04; A45C 7/00; A45C 9/00; A45C
13/26; B65D 30/00; B65D 33/06
USPC D3/247, 249-253
See application file for complete search history.

(56) **References Cited**

U.S. PATENT DOCUMENTS

D13,040 S 7/1882 Brueck
658,394 A * 9/1900 Peters 150/136
833,834 A * 10/1906 Hille 150/136
940,853 A * 11/1909 Cardwell 150/132
1,035,945 A 8/1912 Cardwell
1,035,946 A * 8/1912 Cardwell 150/137
1,073,768 A * 9/1913 Loveland 150/147
D45,677 S 4/1914 Shick
1,269,247 A * 6/1918 Aslin 150/132
1,582,492 A * 4/1926 Tantlinger 150/113
1,671,297 A 5/1928 L'Enfant
D101,819 S 11/1936 Miller
D112,415 S 11/1938 Zumft
D134,884 S 1/1943 Engelstein
D178,800 S 9/1956 McKinnon
D185,056 S 5/1959 Arkin
3,162,227 A * 12/1964 Bakken 150/136
3,370,777 A 2/1968 Levi
D255,509 S 6/1980 Nathan et al.
4,388,734 A 6/1983 Cowden
D279,423 S 7/1985 Zucker
4,705,086 A 11/1987 O'Neill
D308,887 S 6/1990 Wyant
4,942,913 A 7/1990 Musso
D311,815 S 11/1990 Balsley
D314,213 S 1/1991 Bishop
D334,588 S 4/1993 Okola
D340,355 S 10/1993 Little
D342,829 S 1/1994 Mitchell
D410,774 S 6/1999 Inbert

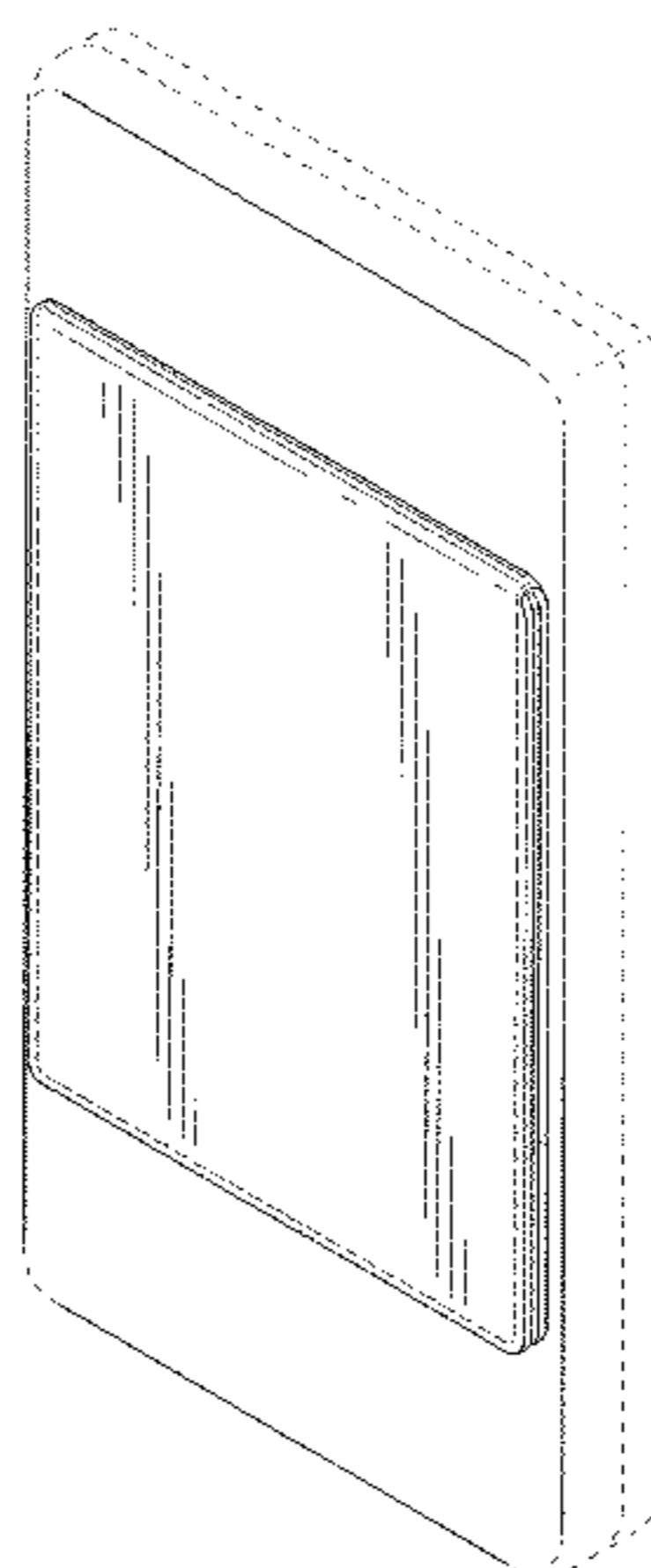
D434,899 S 12/2000 Kojoori
D435,339 S 12/2000 Cleveland
D435,340 S 12/2000 Kojoori
6,427,836 B1 8/2002 Bolanos
D471,704 S 3/2003 Moore
D510,596 S 10/2005 Ong
D527,899 S 9/2006 Morehead
7,204,398 B1 4/2007 Smith, Sr.
D551,446 S 9/2007 Elnekaveh
7,496,971 B2 3/2009 Soto
D594,656 S 6/2009 Wills
D608,092 S 1/2010 Holzner et al.
D619,806 S 7/2010 Franks
D633,714 S 3/2011 Marshall
8,047,364 B2 11/2011 Longinotti-Buitoni
8,833,379 B1 9/2014 Kaplan
2005/0126667 A1 6/2005 Bell
2007/0057004 A1 3/2007 Butler et al.
2007/0232372 A1 10/2007 Plaster
2007/0262112 A1 11/2007 Butler et al.
2008/0006355 A1 1/2008 Gomez Micone
2008/0121322 A1 5/2008 Thomson
2009/0050686 A1 2/2009 Kon et al.
2009/0194571 A1 8/2009 Evans
2011/0030860 A1 2/2011 Allen et al.
2011/0057034 A1 3/2011 Maxwell
2011/0277892 A1 11/2011 Black
2012/0043234 A1 2/2012 Westrup
2012/0050968 A1 3/2012 Child et al.
2012/0168483 A1 7/2012 Jambunathan et al.
2013/0140203 A1 6/2013 Chiang

FOREIGN PATENT DOCUMENTS

CA 134785 10/2010
DE 197428065 11/1974
DE 199107205 7/1991
GB 2145622 4/1985
GB 2070518 11/1997
GB 4019846 5/2011
KR 300268261 12/2000
WO D073447 3/2010
WO 2012087152 6/2012

OTHER PUBLICATIONS

Co-pending U.S. Appl. No. 13/833,164, filed Mar. 15, 2013, DeChant.
Co-pending U.S. Appl. No. 29/449,451, filed Mar. 15, 2013, DeChant.
Co-pending U.S. Appl. No. 29/449,456, filed Mar. 15, 2013, DeChant.



Co-pending U.S. Appl. No. 29/449,461, filed Mar. 15, 2013, DeChant.

Co-pending U.S. Appl. No. 29/449,467, filed Mar. 15, 2013, DeChant.

Co-pending U.S. Appl. No. 29/449,474, filed Mar. 15, 2013, DeChant.

* cited by examiner

Primary Examiner — Holly Baynham

(74) *Attorney, Agent, or Firm* — Michael Best & Friedrich LLP

(57) **CLAIM**

The ornamental design for a vertical bifold cell phone wallet, as shown and described.

DESCRIPTION

FIG. 1 is a perspective view of a vertical bifold cell phone wallet with interior slot pockets according to one embodiment showing my new design;

FIG. 2 is a front view thereof;

FIG. 3 is a rear view thereof;

FIG. 4 is a left side view thereof;

FIG. 5 is a right side view thereof;

FIG. 6 is a top view thereof;

FIG. 7 is a bottom view thereof;

FIG. 8 is a perspective view of the vertical bifold cell phone wallet with interior slot pockets in an open condition;

FIG. 9 is a front view thereof;

FIG. 10 is a rear view thereof;

FIG. 11 is a left side view thereof;

FIG. 12 is a right side view thereof;

FIG. 13 is a top view thereof;

FIG. 14 is a bottom view thereof;

FIG. 17 is a perspective view of a vertical bifold cell phone wallet with an exterior slot pocket and interior slot pockets according to another embodiment showing my new design;

FIG. 18 is front view thereof;

FIG. 3 is a rear view thereof;

FIG. 4 is a left side view thereof;

FIG. 5 is a right side view thereof;

FIG. 6 is a top view thereof;

FIG. 7 is a bottom view thereof;

FIG. 19 is a perspective view of the vertical bifold cell phone wallet with an exterior slot pocket and interior slot pockets in an open condition;

FIG. 20 is a front view thereof;

FIG. 21 is a rear view thereof;

FIG. 11 is a left side view thereof;

FIG. 12 is a right side view thereof;

FIG. 13 is a top view thereof; and,

FIG. 14 is a bottom view thereof.

The broken lines showing portions of a wallet are for the purposes of illustrating environment and form no part of the claimed design.

1 Claim, 10 Drawing Sheets

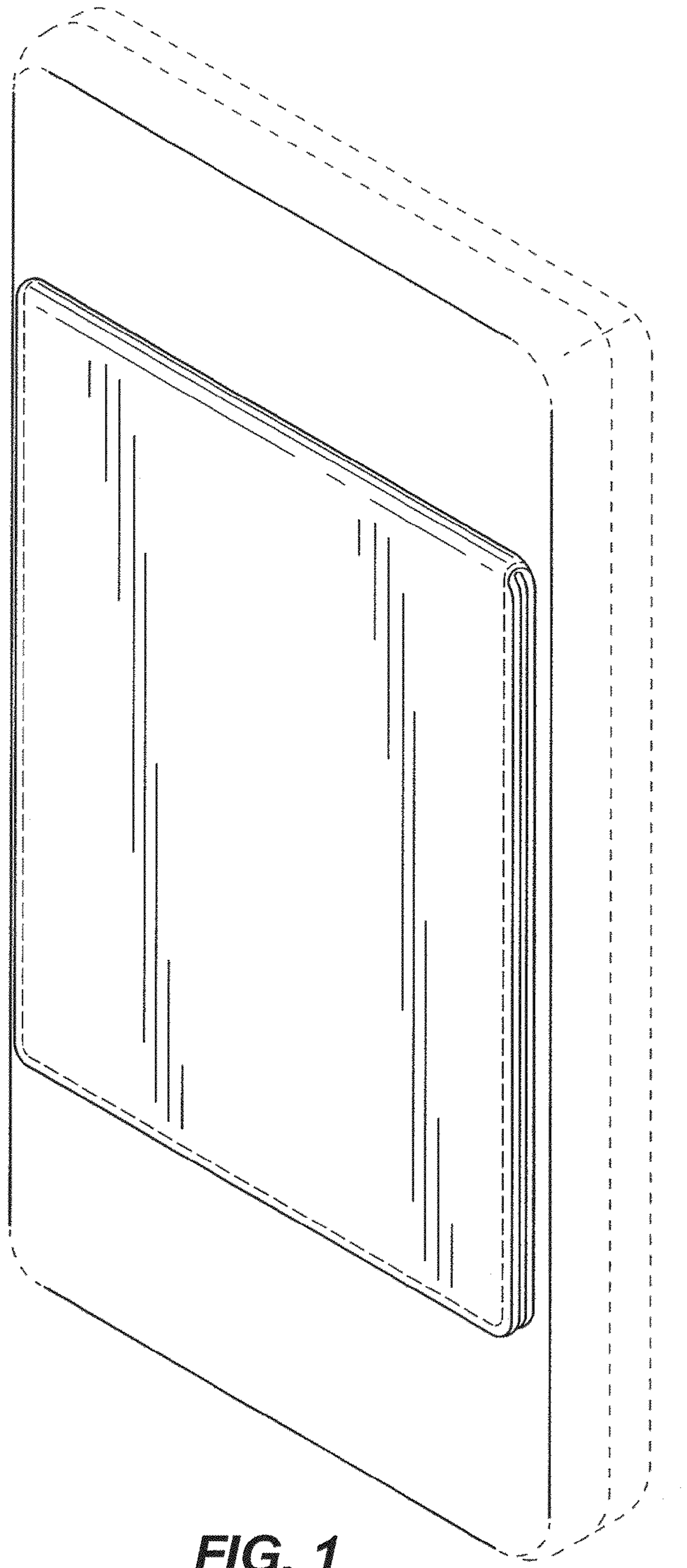


FIG. 1

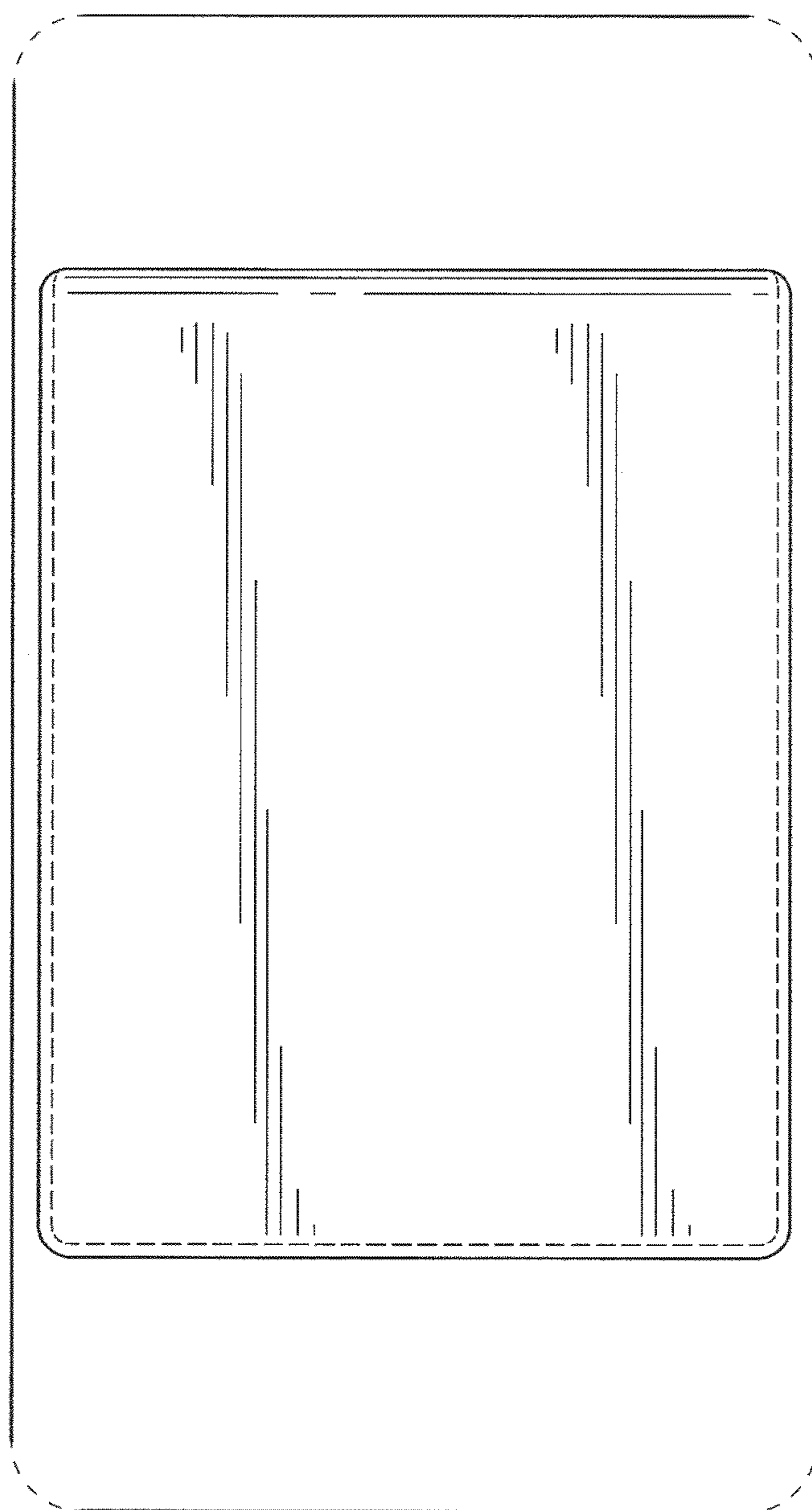


FIG. 2

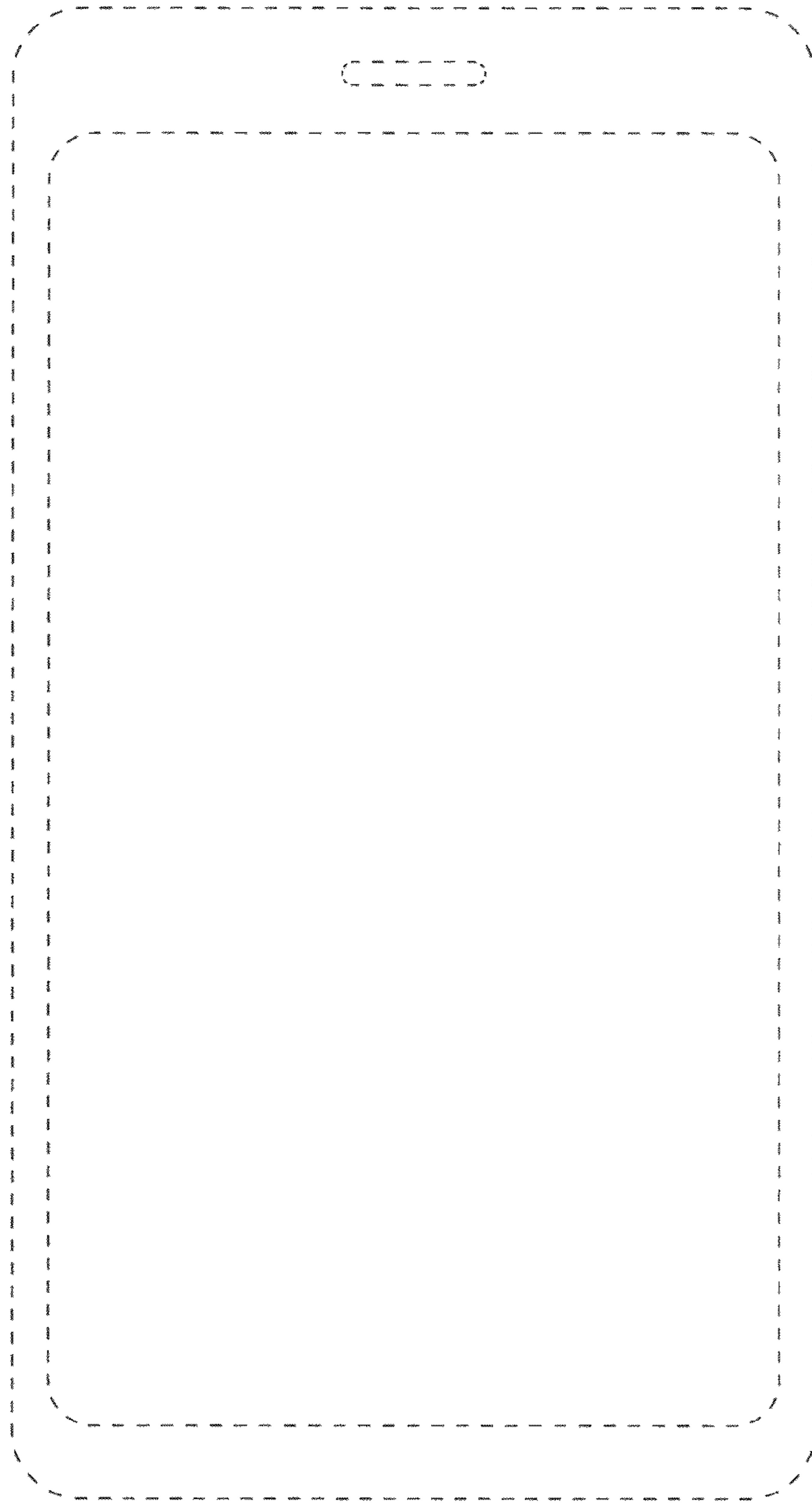


FIG. 3

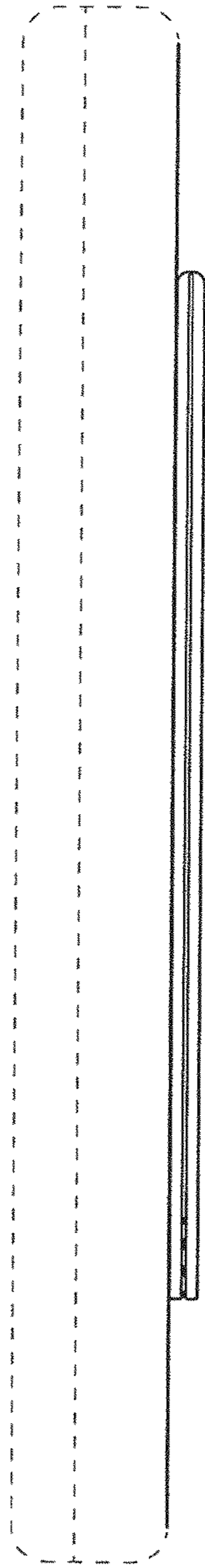


FIG. 4

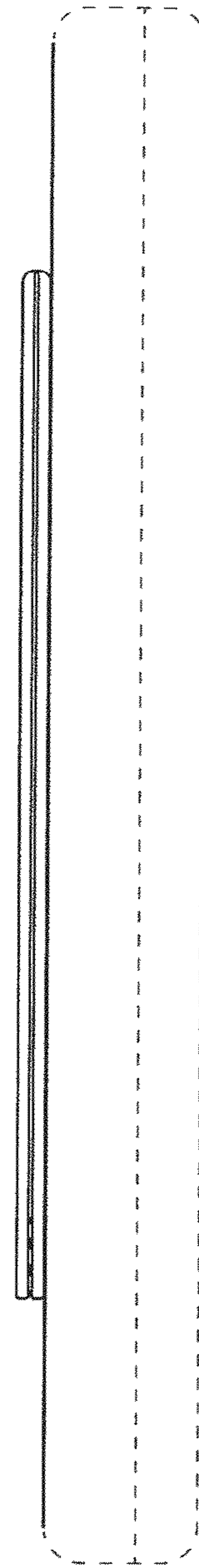


FIG. 5

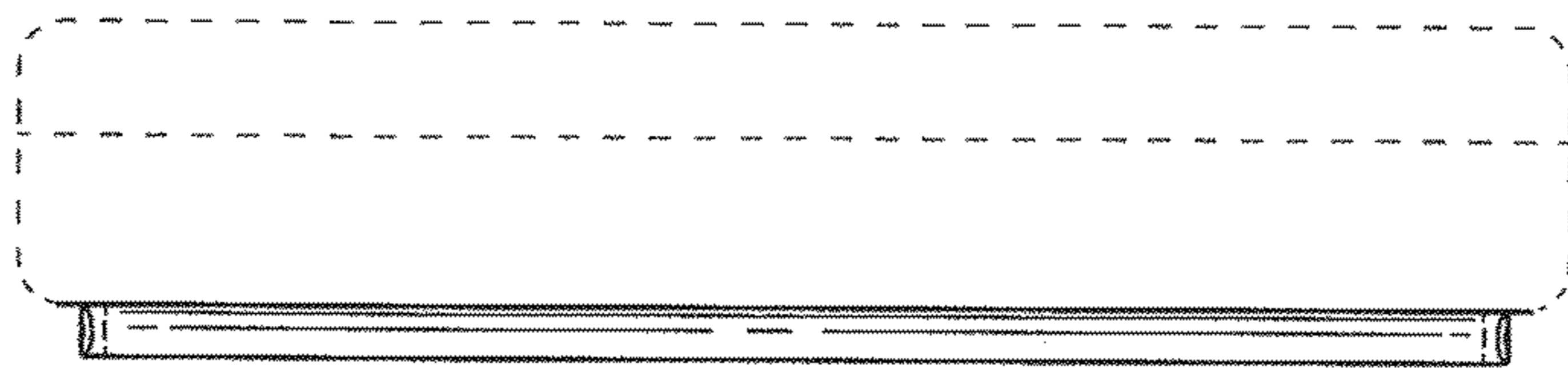


FIG. 6

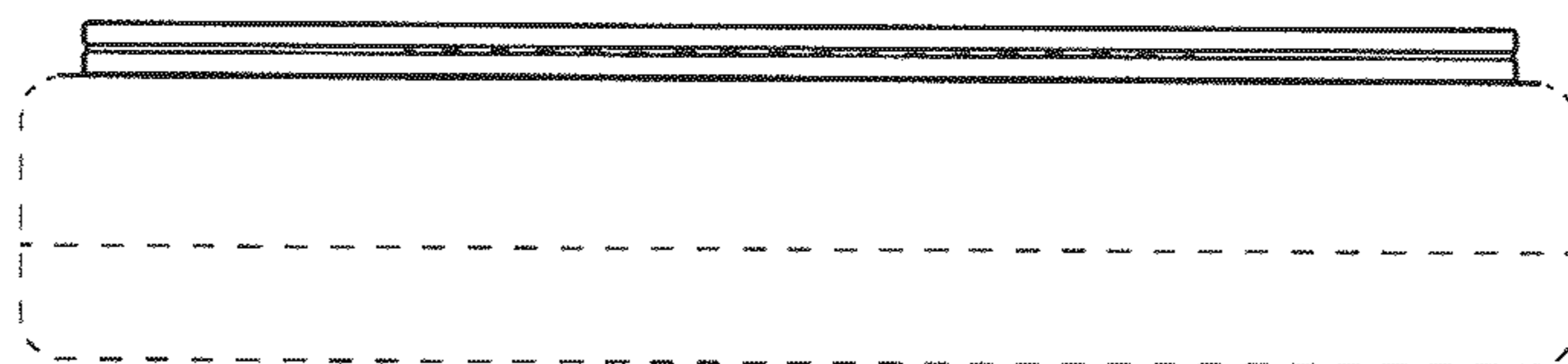


FIG. 7

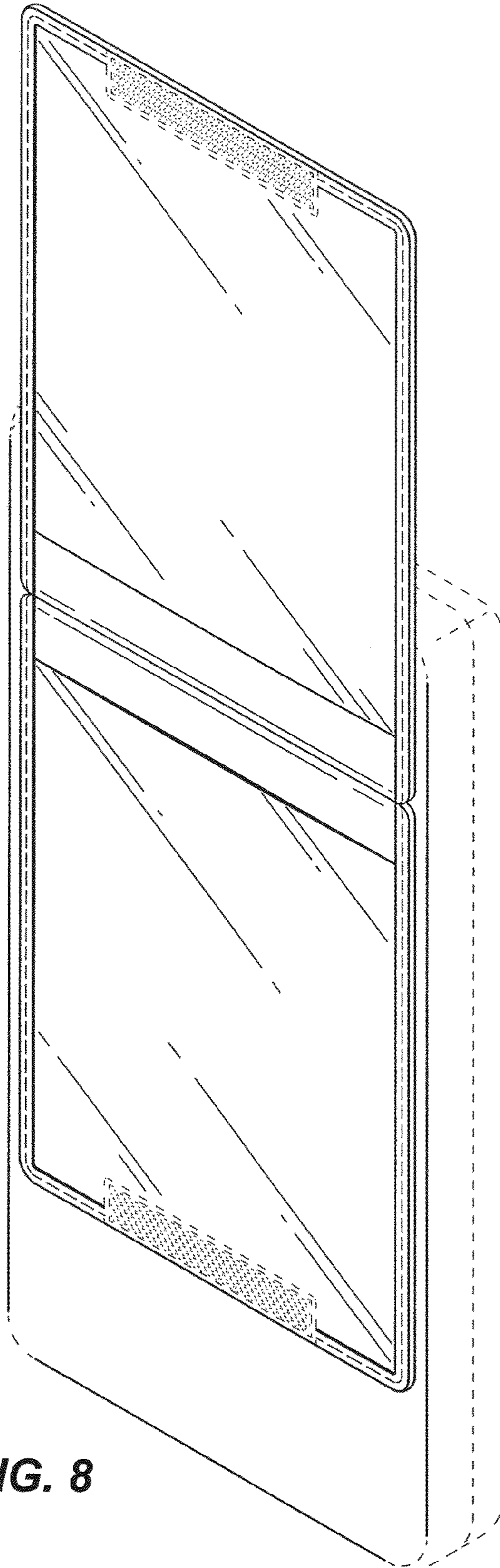


FIG. 8

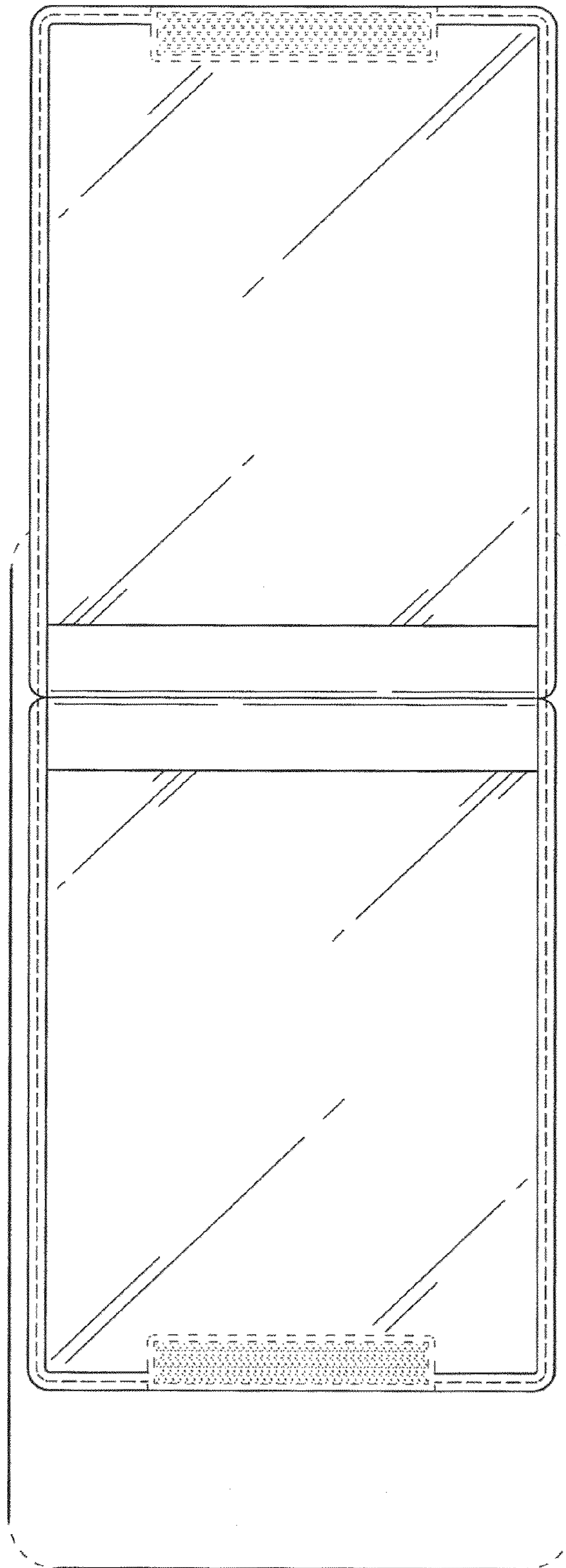


FIG. 9

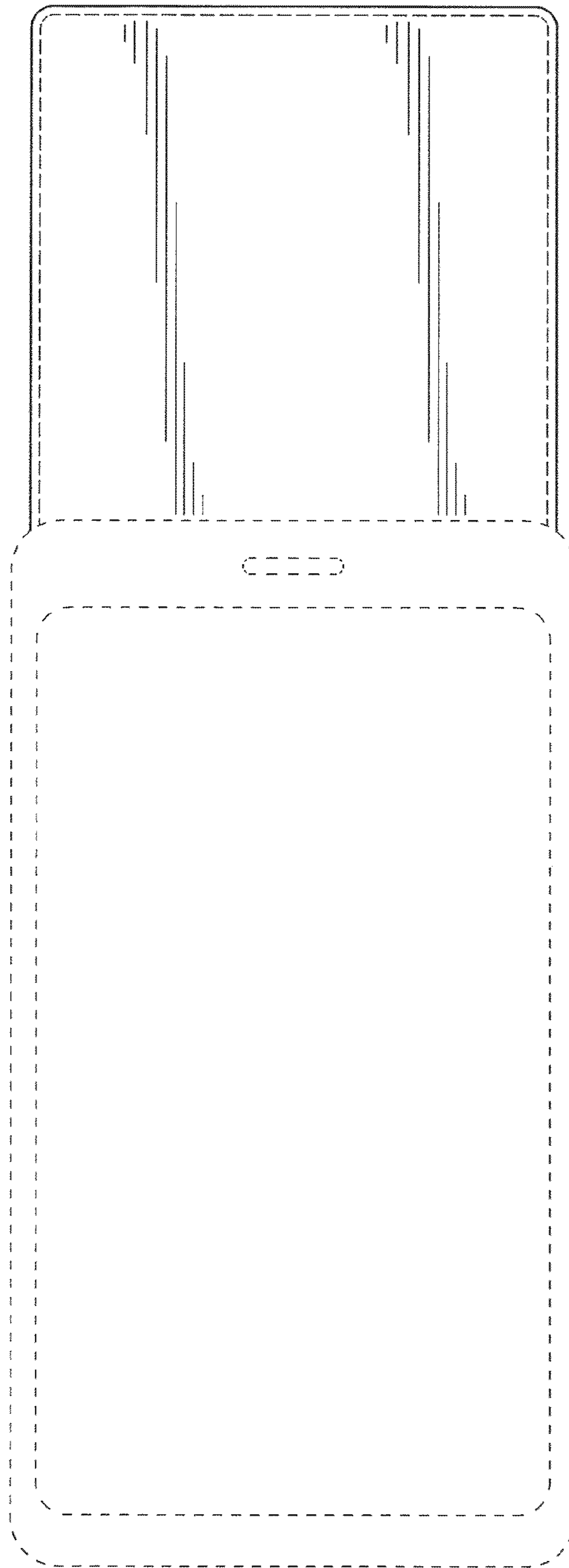


FIG. 10

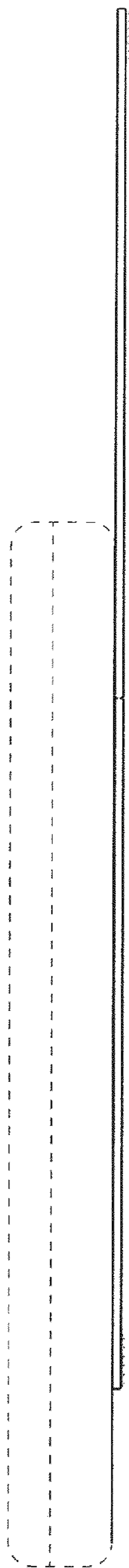


FIG. 11

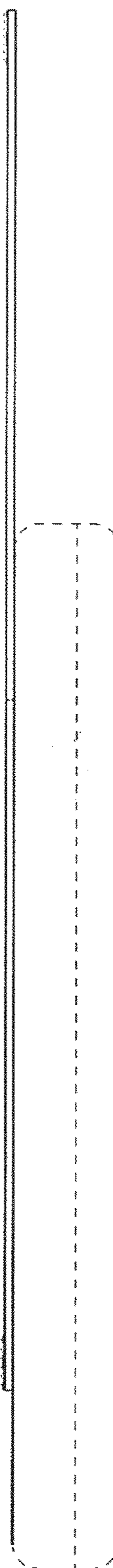


FIG. 12

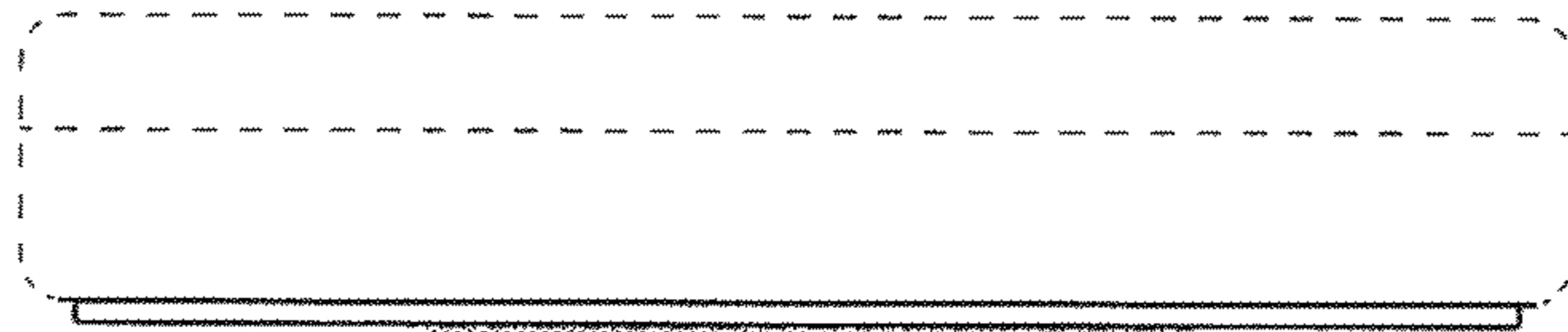


FIG. 13

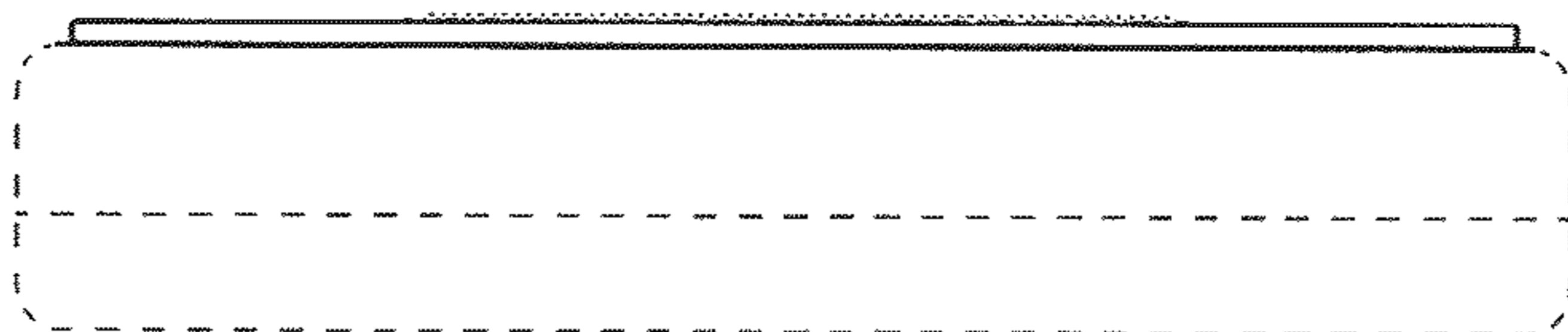


FIG. 14

UNITED STATES PATENT AND TRADEMARK OFFICE
CERTIFICATE OF CORRECTION

PATENT NO. : D728,928 S
APPLICATION NO. : 29/449465
DATED : May 12, 2015
INVENTOR(S) : Daniel A. DeChant

Page 1 of 18

It is certified that error appears in the above-identified patent and that said Letters Patent is hereby corrected as shown below:

ON THE TITLE PAGE

On Page 2, Column 2, Line 7 of the Patent, please delete "FIG. 17" and insert --FIG. 15--. (See Attached Sheets)

On Page 2, Column 2, Line 10 of the Patent, please delete "FIG. 18" and insert --FIG. 16--.

On Page 2, Column 2, Line 16 of the Patent, please delete "FIG. 19" and insert --FIG. 17--.

On Page 2, Column 2, Line 19 of the Patent, please delete "FIG. 20" and insert --FIG. 18--.

On Page 2, Column 2, Line 20 of the Patent, please delete "FIG. 21" and insert --FIG. 19--.

IN THE DRAWINGS

Pages 3-12 containing FIGS. 1-14 should be replaced with the attached 15 Drawing Sheets containing FIGS. 1-19.

Signed and Sealed this
Twenty-second Day of March, 2016



Michelle K. Lee
Director of the United States Patent and Trademark Office

(12) **United States Design Patent**
DeChant

(10) Patent No.: **US D728,928 S**
 (45) Date of Patent: **** May 12, 2015**

(54) **VERTICAL BIFOLD CELL PHONE WALLET**
 (71) Applicant: **Daniel A. DeChant, Madison, WI (US)**
 (72) Inventor: **Daniel A. DeChant, Madison, WI (US)**
 (**) Term: **14 Years**
 (21) Appl. No.: **29/449,465**
 (22) Filed: **Mar. 15, 2013**
 (51) **LOC (10) Cl.** **03-01**
 (52) **U.S. Cl.**
 USPC **D3/247**
 (58) **Field of Classification Search**
 CPC A45C 1/00; A45C 3/00; A45C 1/02;
 A45C 1/04; A45C 7/00; A45C 9/00; A45C
 13/26; B65D 30/00; B65D 33/06
 USPC **D3/247, 249-253**
 See application file for complete search history.

(56) **References Cited**

U.S. PATENT DOCUMENTS

D13,040 S	7/1882	Brueck	
658,394 A *	9/1900	Peters	150/136
833,834 A *	10/1906	Hille	150/136
940,853 A *	11/1909	Cardwell	150/132
1,035,945 A	8/1912	Cardwell	
1,035,946 A *	8/1912	Cardwell	150/137
1,073,768 A *	9/1913	Loveland	150/147
D45,677 S	4/1914	Shick	
1,269,247 A *	6/1918	Aslin	150/132
1,582,492 A *	4/1926	Tantlinger	150/113
1,671,297 A	5/1928	L'Enfant	
D101,819 S	11/1936	Miller	
D112,415 S	11/1938	Zumfi	
D134,884 S	1/1943	Engelstein	
D178,800 S	9/1956	McKinnon	
D185,056 S	5/1959	Arkin	
3,162,227 A *	12/1964	Bakken	150/136
3,370,777 A	2/1968	Levi	
D255,509 S	6/1980	Nathan et al.	
4,388,734 A	6/1983	Cowden	
D279,423 S	7/1985	Zucker	
4,705,086 A	11/1987	O'Neill	
D308,887 S	6/1990	Wyant	
4,942,913 A	7/1990	Musso	
D311,815 S	11/1990	Balsley	
D314,213 S	1/1991	Bishop	
D334,588 S	4/1993	Okola	
D340,355 S	10/1993	Little	
D342,829 S	1/1994	Mitchell	
D410,774 S	6/1999	Inbert	

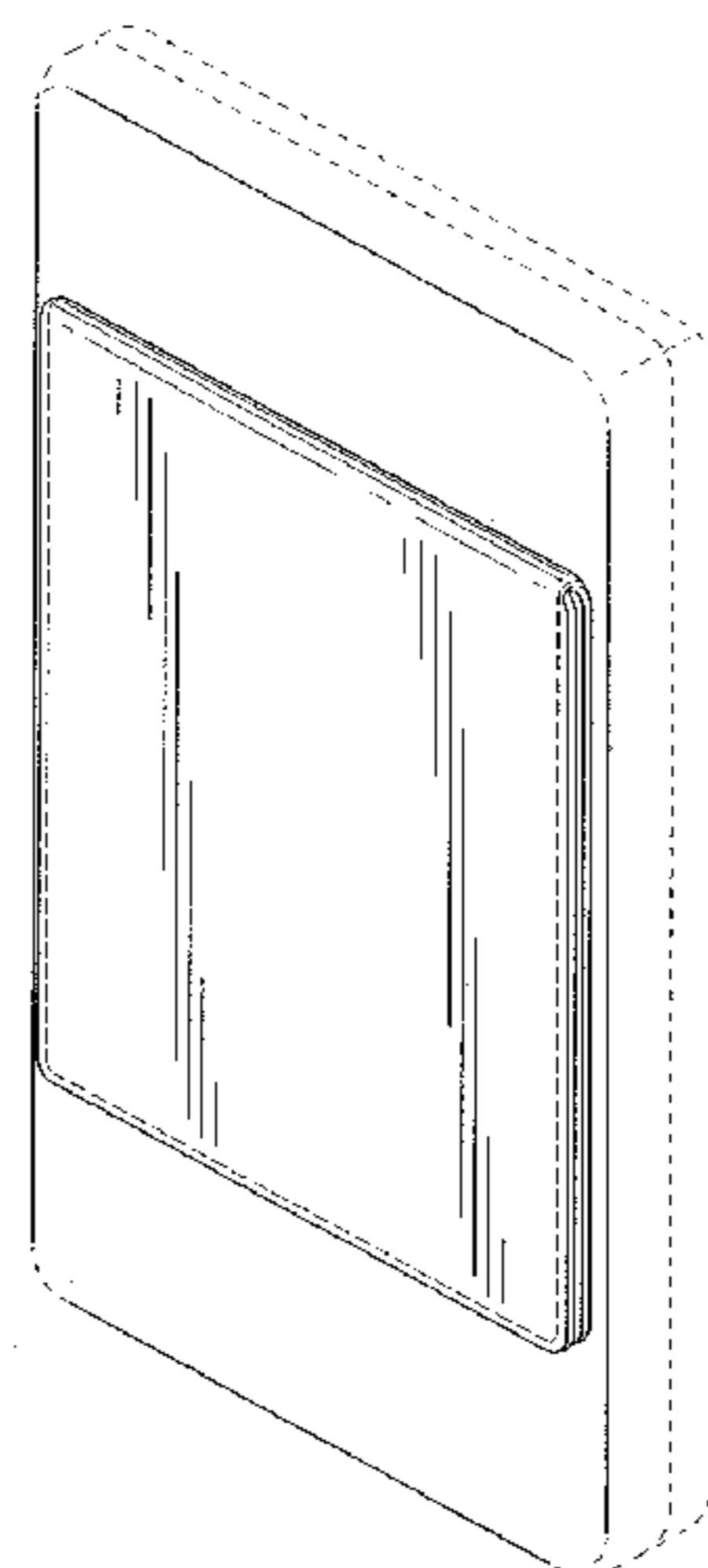
D434,899 S	12/2000	Kojoori
D435,339 S	12/2000	Cleveland
D435,340 S	12/2000	Kojoori
6,427,836 B1	8/2002	Bolanos
D471,704 S	3/2003	Moore
D510,596 S	10/2005	Ong
D527,899 S	9/2006	Morehead
7,204,398 B1	4/2007	Smith, Sr.
D551,446 S	9/2007	Ulnecaveh
7,496,971 B2	3/2009	Soto
D594,656 S	6/2009	Wills
D608,092 S	1/2010	Holzner et al.
D619,806 S	7/2010	Franks
D633,714 S	3/2011	Marshall
8,047,364 B2	11/2011	Longinotti-Buitoni
8,833,379 B1	9/2014	Kaplan
2005/0126667 A1	6/2005	Bell
2007/0057004 A1	3/2007	Butler et al.
2007/0232372 A1	10/2007	Plaster
2007/0262112 A1	11/2007	Butler et al.
2008/0006355 A1	1/2008	Gomez Micone
2008/0121322 A1	5/2008	Thomson
2009/0050686 A1	2/2009	Ken et al.
2009/0194571 A1	8/2009	Evans
2011/0030860 A1	2/2011	Allen et al.
2011/0057034 A1	3/2011	Maxwell
2011/0277892 A1	11/2011	Black
2012/0043234 A1	2/2012	Westrup
2012/0050968 A1	3/2012	Child et al.
2012/0168483 A1	7/2012	Jambunathan et al.
2013/0140203 A1	6/2013	Chiang

FOREIGN PATENT DOCUMENTS

CA	134785	10/2010
DE	197428065	11/1974
DE	199107205	7/1991
GB	2115622	4/1985
GB	2070518	11/1997
GB	4019846	5/2011
KR	300268261	12/2000
WO	D073447	3/2010
WO	2012087152	6/2012

OTHER PUBLICATIONS

Co-pending U.S. Appl. No. 13/833,164, filed Mar. 15, 2013, DeChant.
 Co-pending U.S. Appl. No. 29/449,451, filed Mar. 15, 2013, DeChant.
 Co-pending U.S. Appl. No. 29/449,456, filed Mar. 15, 2013, DeChant.



US D728,928 S

Page 2

Co-pending U.S. Appl. No. 29/449,461, filed Mar. 15, 2013, DeChant.
Co-pending U.S. Appl. No. 29/449,467, filed Mar. 15, 2013, DeChant.
Co-pending U.S. Appl. No. 29/449,474, filed Mar. 15, 2013, DeChant.

* cited by examiner

Primary Examiner — Holly Baynham
(74) Attorney, Agent, or Firm — Michael Best & Friedrich LLP

(57) **CLAIM**
The ornamental design for a vertical bifold cell phone wallet, as shown and described.

DESCRIPTION

FIG. 1 is a perspective view of a vertical bifold cell phone wallet with interior slot pockets according to one embodiment showing my new design;
FIG. 2 is a front view thereof;
FIG. 3 is a rear view thereof;
FIG. 4 is a left side view thereof;
FIG. 5 is a right side view thereof;
FIG. 6 is a top view thereof;
FIG. 7 is a bottom view thereof;
FIG. 8 is a perspective view of the vertical bifold cell phone wallet with interior slot pockets in an open condition;

FIG. 9 is a front view thereof;
FIG. 10 is a rear view thereof;
FIG. 11 is a left side view thereof;
FIG. 12 is a right side view thereof;
FIG. 13 is a top view thereof;
FIG. 14 is a bottom view thereof;
FIG. 17 is a perspective view of a vertical bifold cell phone wallet with an exterior slot pocket and interior slot pockets according to another embodiment showing my new design;
FIG. 18 is front view thereof;
FIG. 19 is a rear view thereof;
FIG. 20 is a left side view thereof;
FIG. 21 is a right side view thereof;
FIG. 22 is a top view thereof;
FIG. 23 is a bottom view thereof;
FIG. 24 is a perspective view of the vertical bifold cell phone wallet with an exterior slot pocket and interior slot pockets in an open condition;
FIG. 25 is a front view thereof;
FIG. 26 is a rear view thereof;
FIG. 27 is a left side view thereof;
FIG. 28 is a right side view thereof;
FIG. 29 is a top view thereof; and
FIG. 30 is a bottom view thereof.
The broken lines showing portions of a wallet are for the purposes of illustrating environment and form no part of the claimed design.

1 Claim, 15 Drawing Sheets

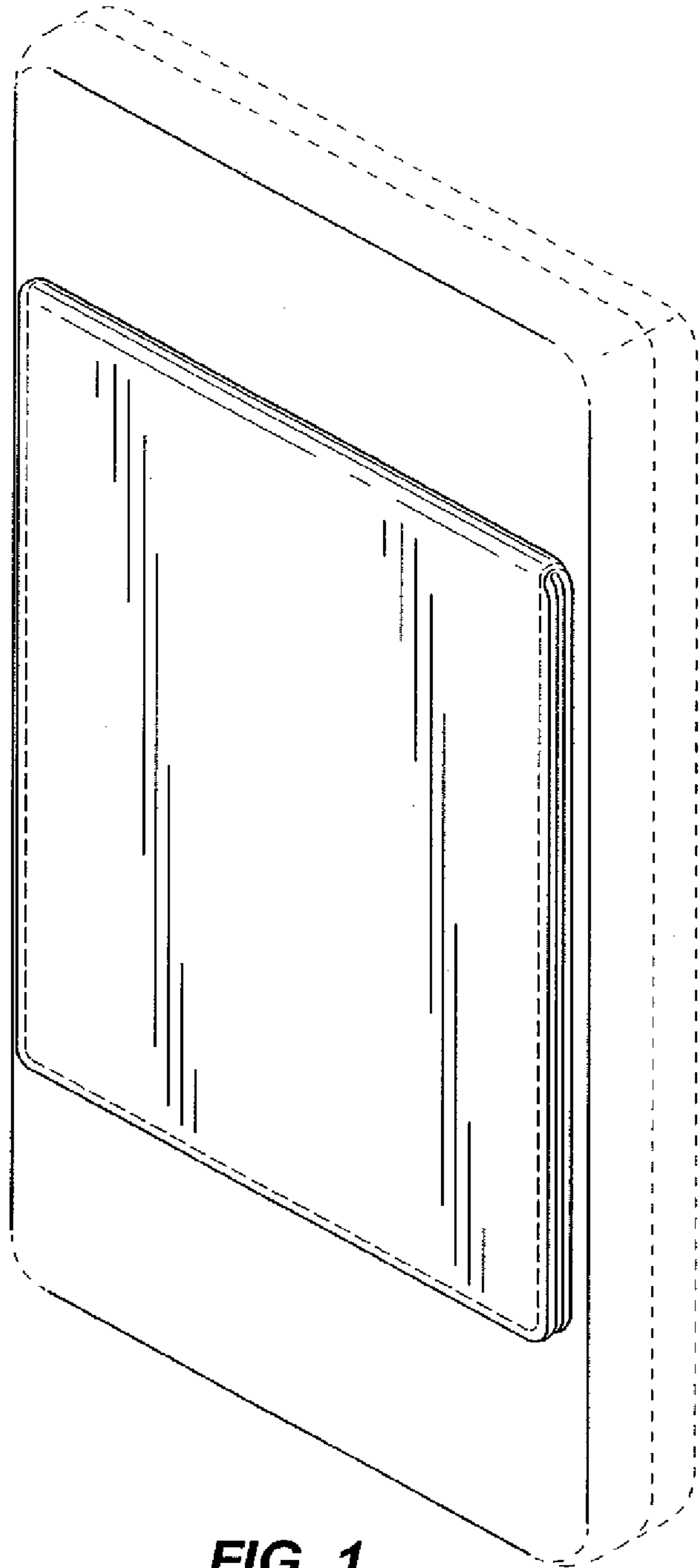


FIG. 1

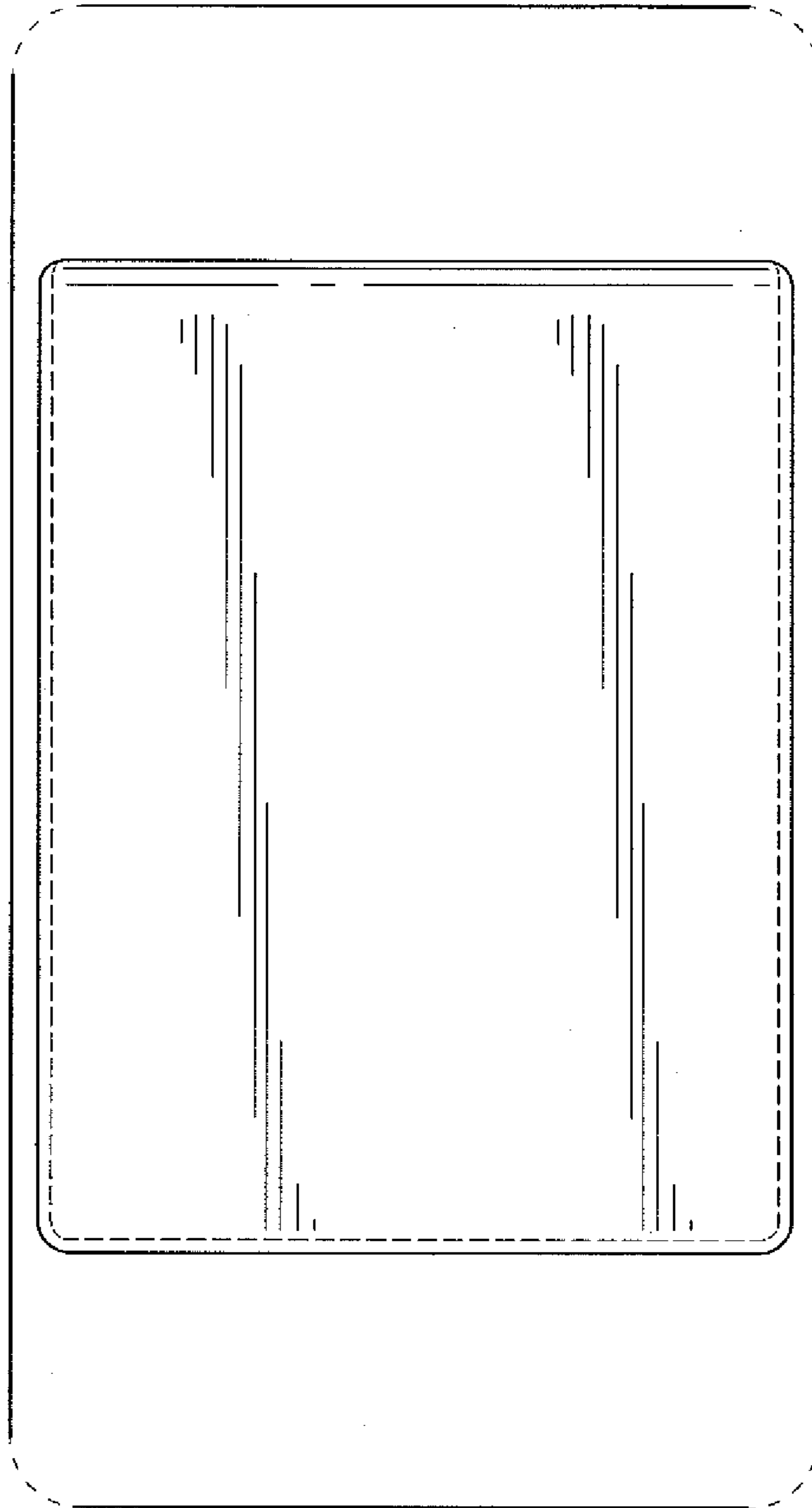


FIG. 2

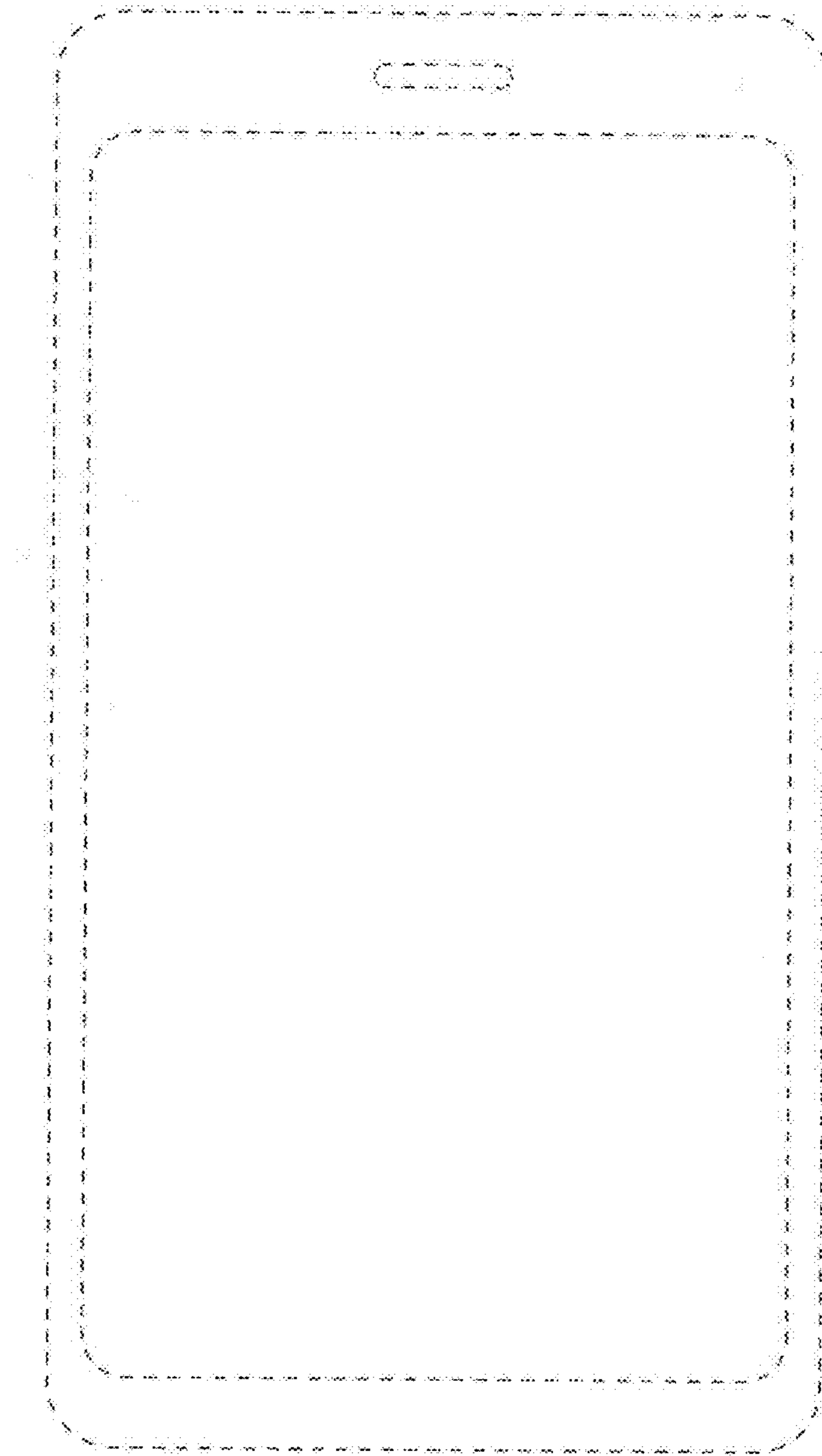


FIG. 3

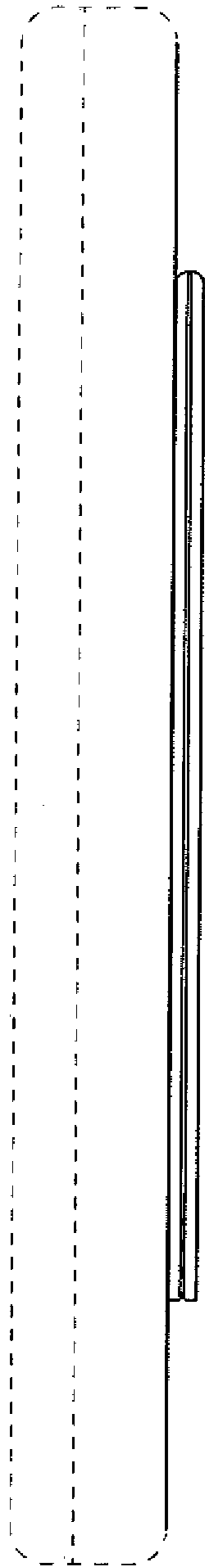


FIG. 4

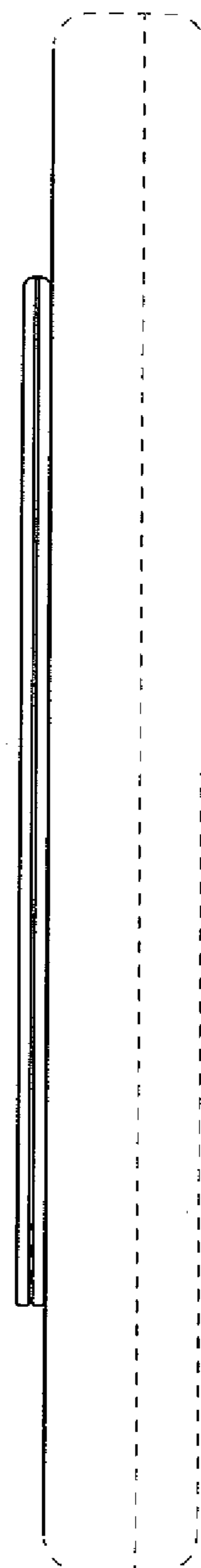


FIG. 5

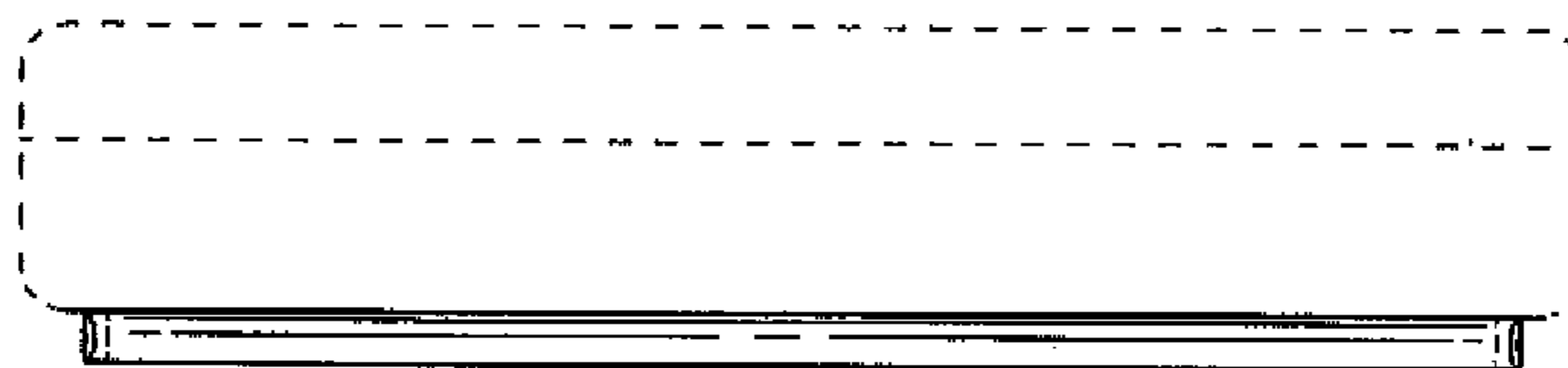


FIG. 6

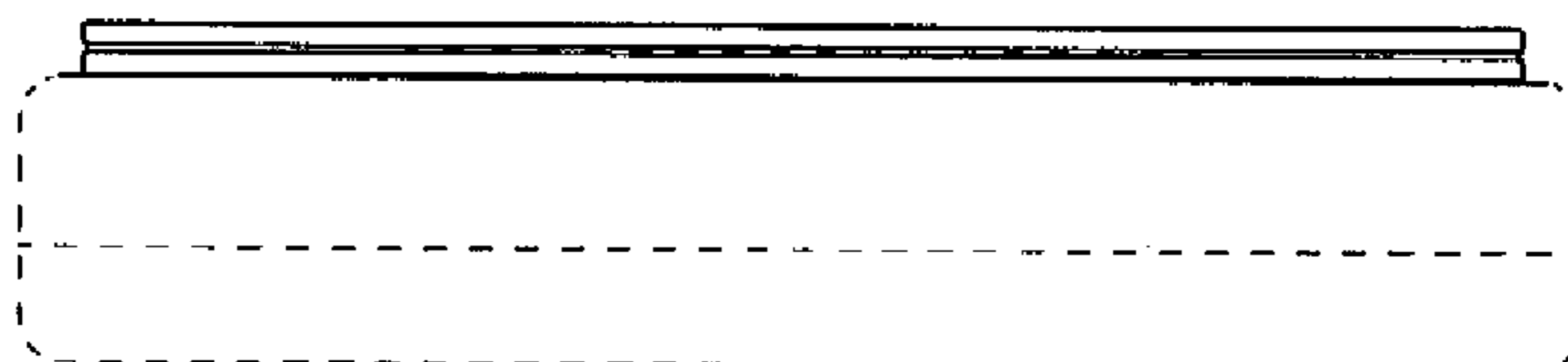


FIG. 7

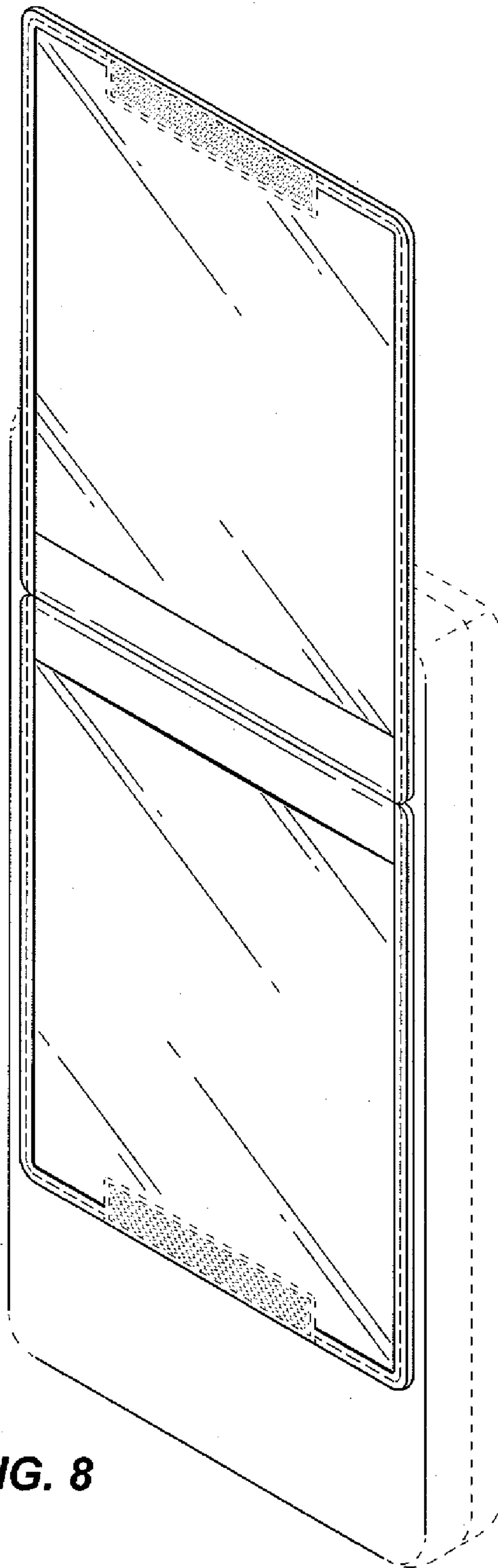


FIG. 8

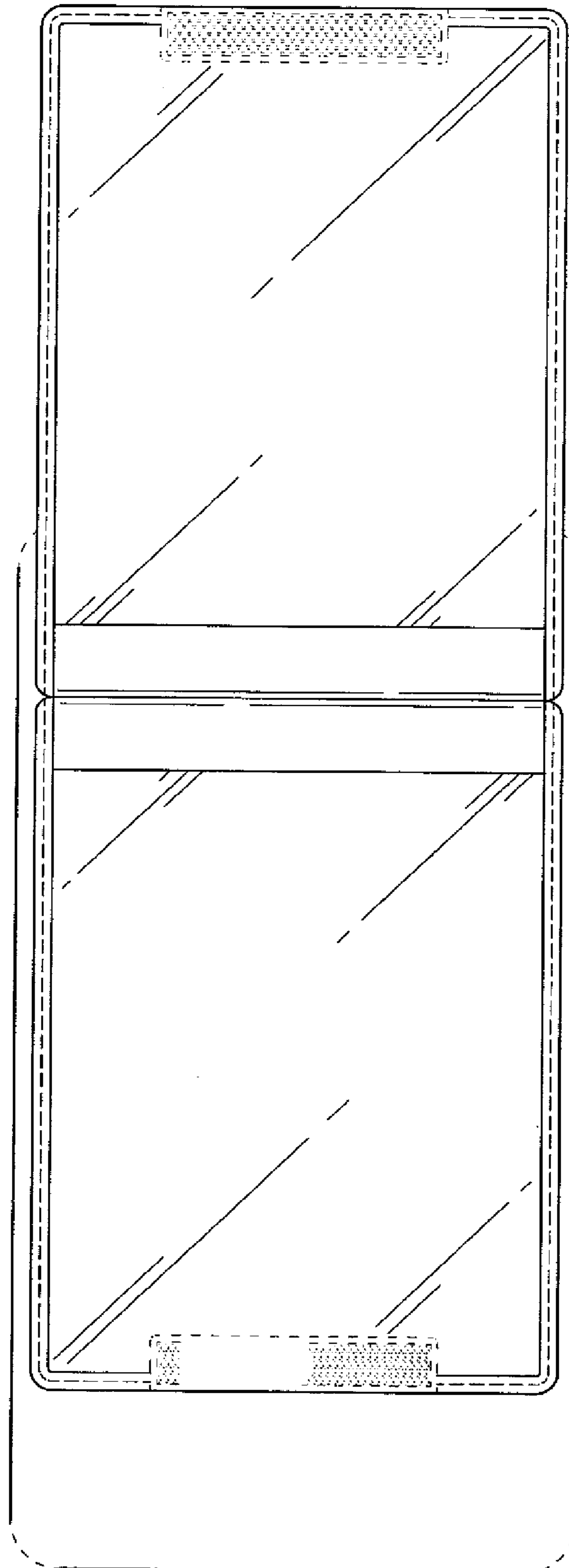


FIG. 9

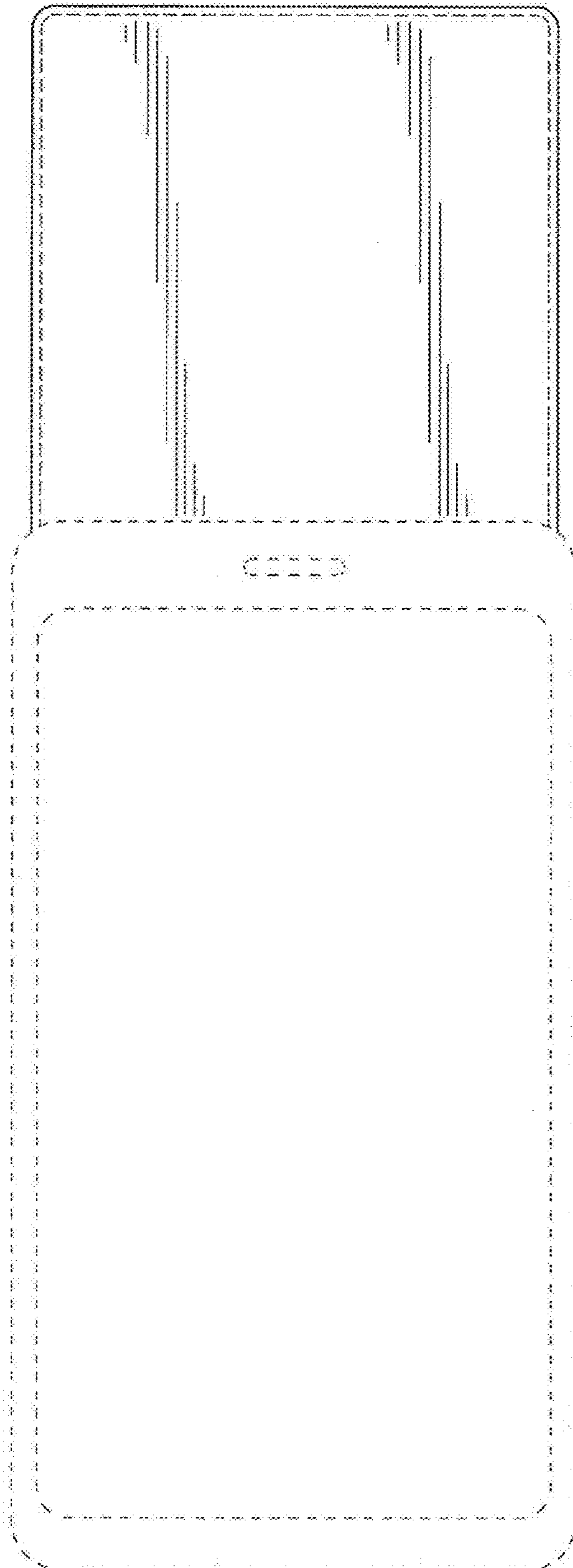


FIG. 10

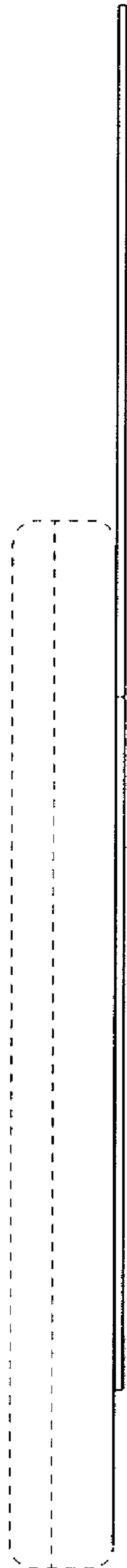


FIG. 11

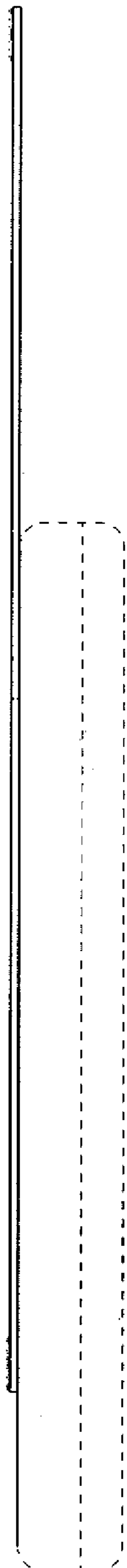


FIG. 12



FIG. 13

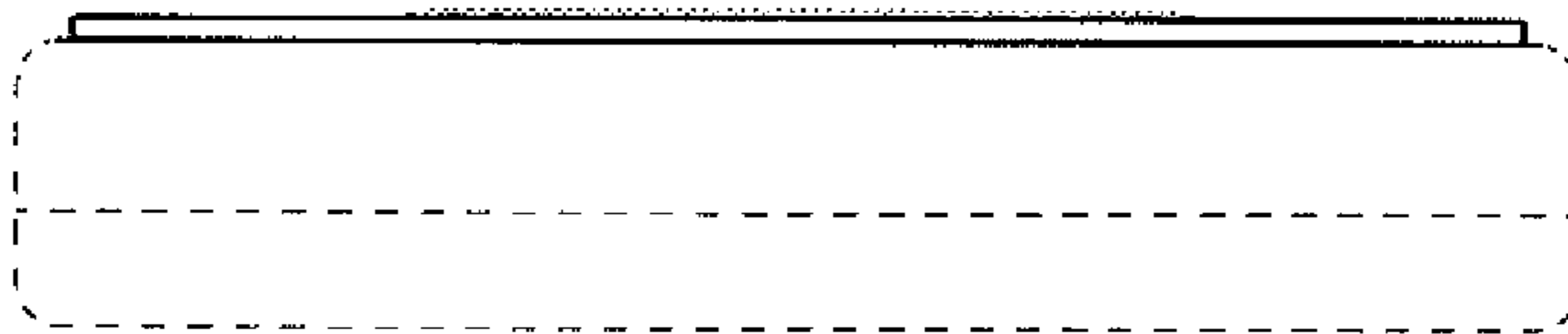


FIG. 14

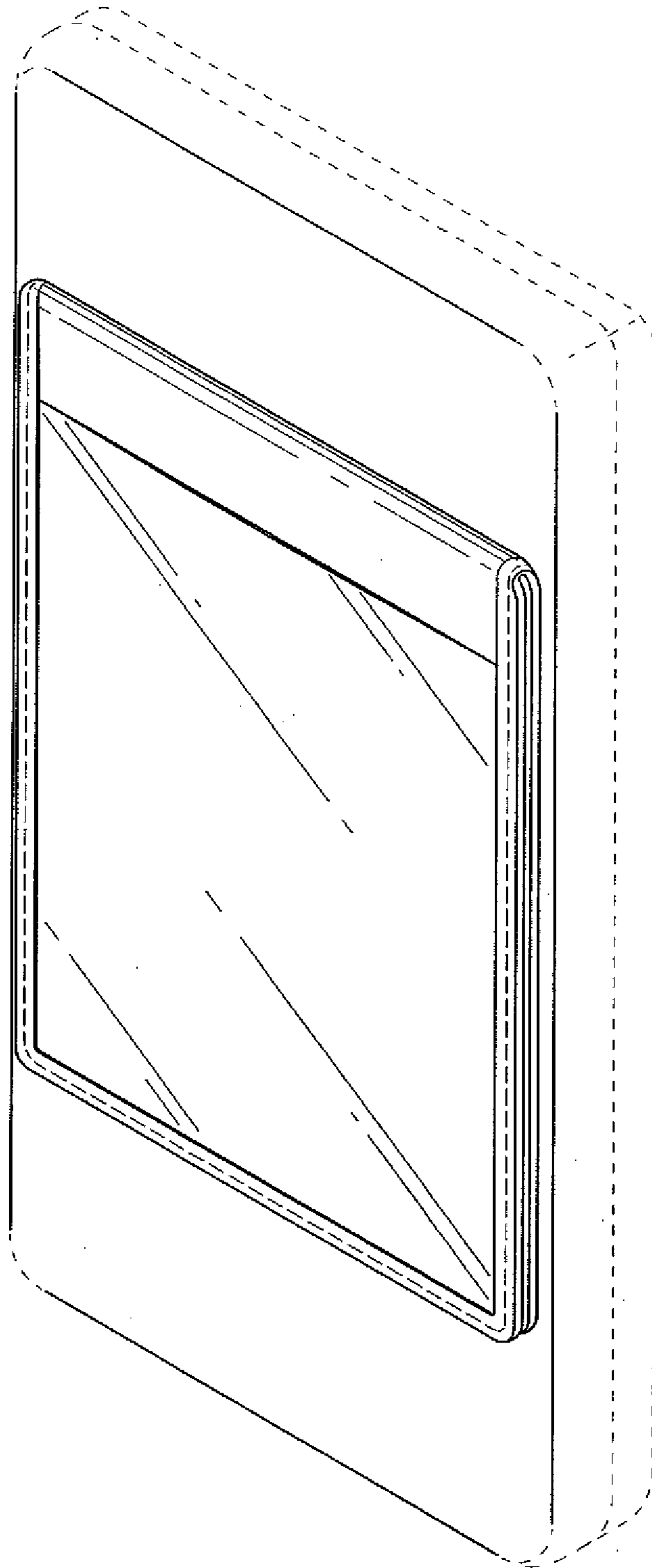


FIG. 15

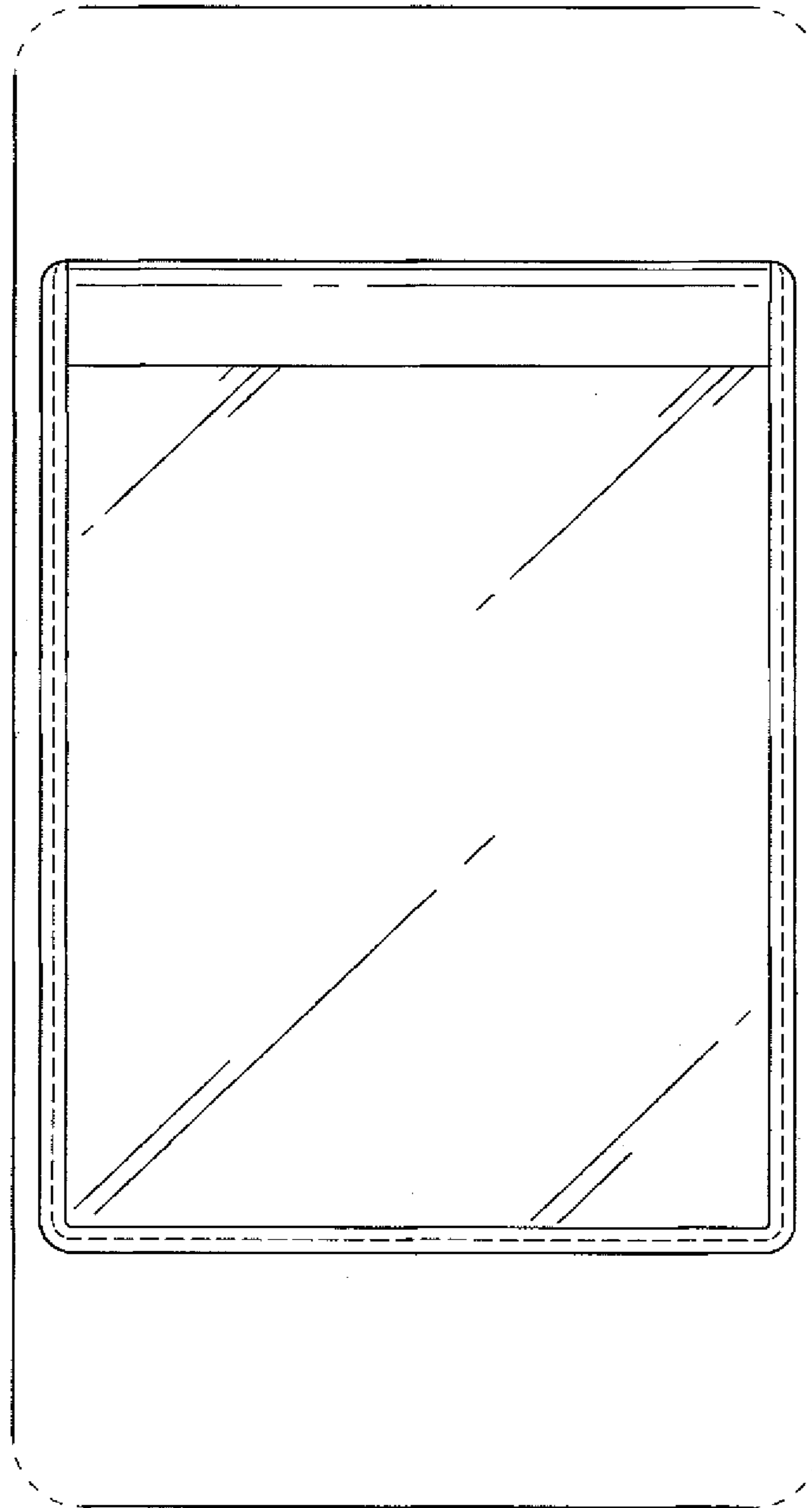


FIG. 16

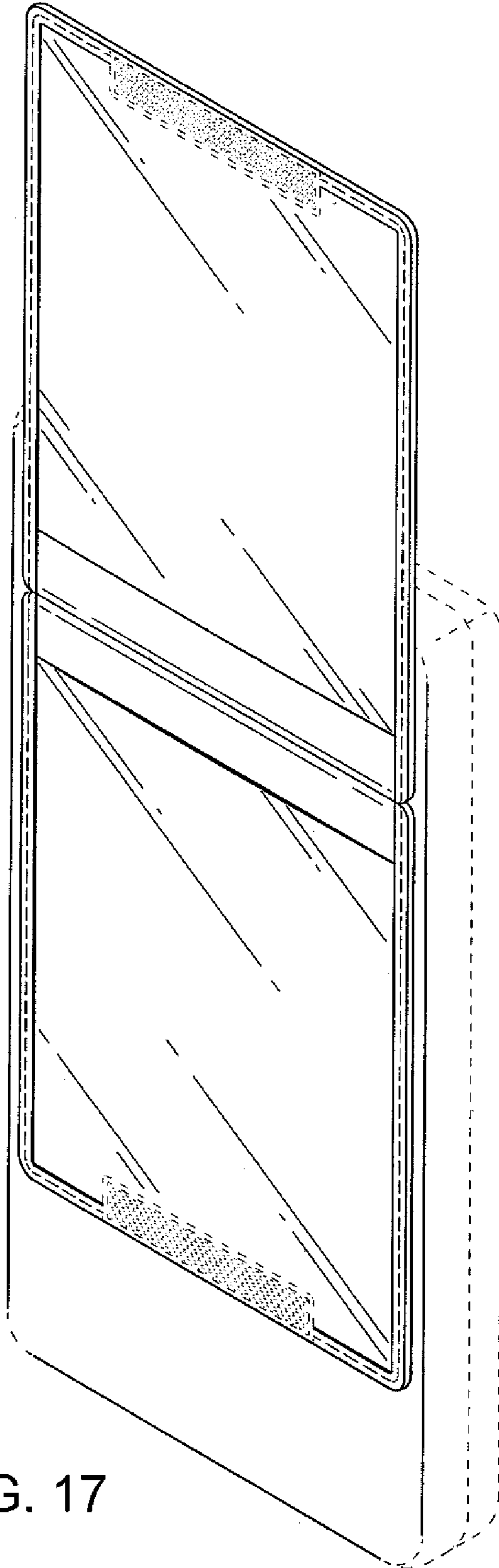


FIG. 17

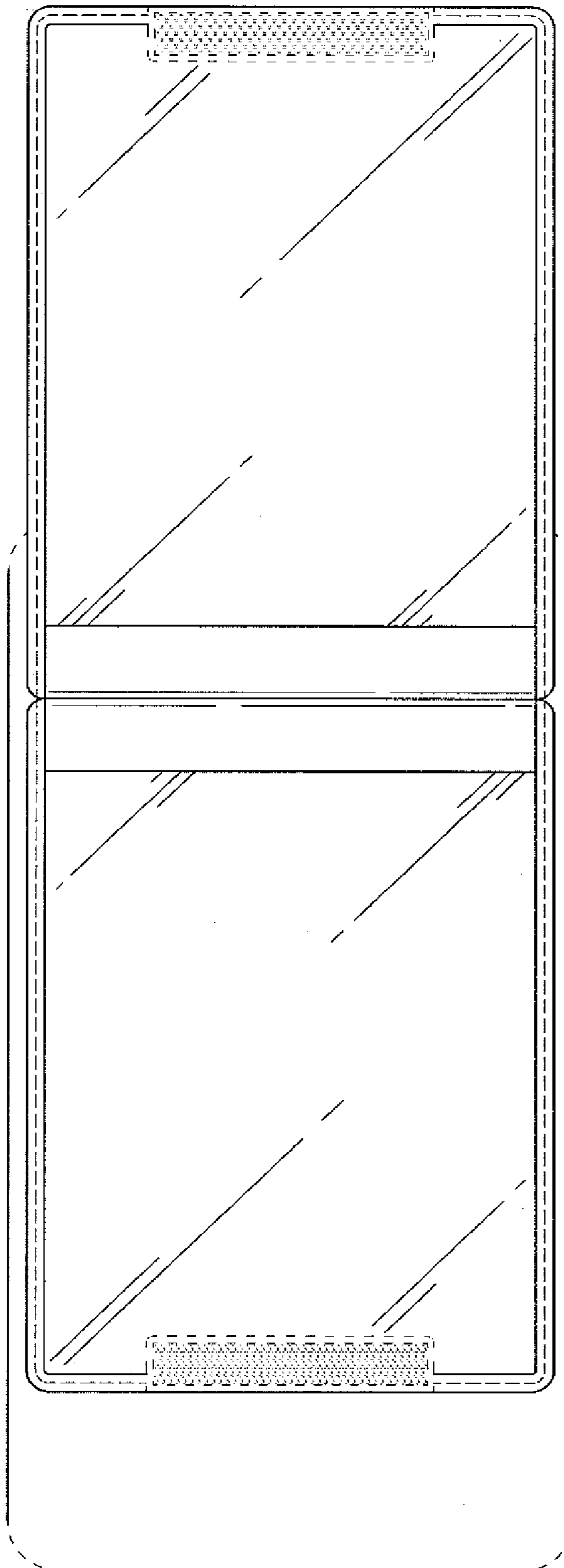


FIG. 18

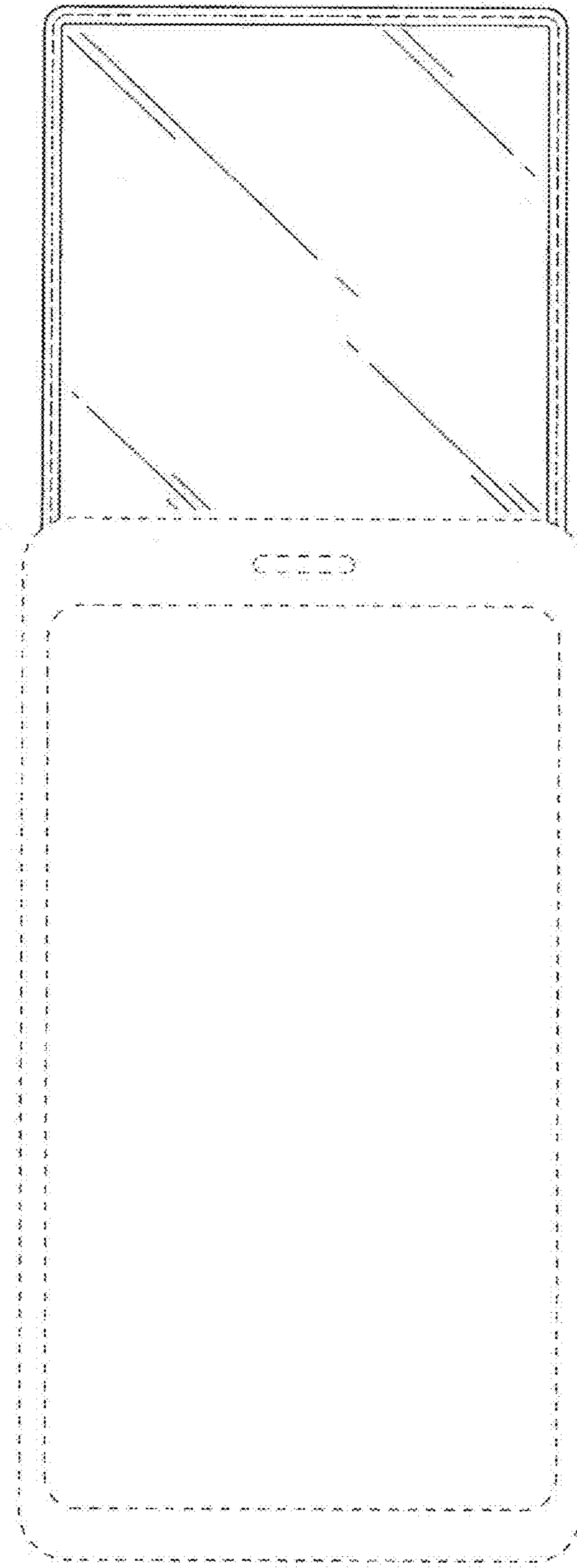


FIG. 19