



US00D728924S

(12) **United States Design Patent**  
**Salisbury, III**

(10) **Patent No.:** **US D728,924 S**

(45) **Date of Patent:** **\*\* May 12, 2015**

(54) **RIFLE HOLDER**

(71) Applicant: **George Robert Salisbury, III**, Parkland,  
FL (US)

(72) Inventor: **George Robert Salisbury, III**, Parkland,  
FL (US)

(\*\*) Term: **14 Years**

(21) Appl. No.: **29/494,945**

(22) Filed: **Jun. 25, 2014**

(51) **LOC (10) Cl.** ..... **03-01**

(52) **U.S. Cl.**  
USPC ..... **D3/222**

(58) **Field of Classification Search**

CPC ..... A45F 3/02; A45F 3/04; A45F 3/06;  
A45F 3/047; A45F 2003/025; A45F  
2200/0591  
USPC ..... D3/221, 222–223, 218, 226, 228;  
224/149–150, 269, 913; 42/85, 94;  
24/2.5

See application file for complete search history.

(56) **References Cited**

U.S. PATENT DOCUMENTS

3,700,147 A *	10/1972	Vaughn	224/149
D325,301 S *	4/1992	Winfrey	D3/222
D370,776 S *	6/1996	Frey	D3/218
5,669,170 A *	9/1997	Norris	42/85
D384,498 S *	10/1997	Hughes et al.	D3/221
5,927,574 A *	7/1999	Ruesink	224/149

\* cited by examiner

*Primary Examiner* — Catheri Oliver-Garcia

(74) *Attorney, Agent, or Firm* — Malin Haley DiMaggio & Bowen, P.A.

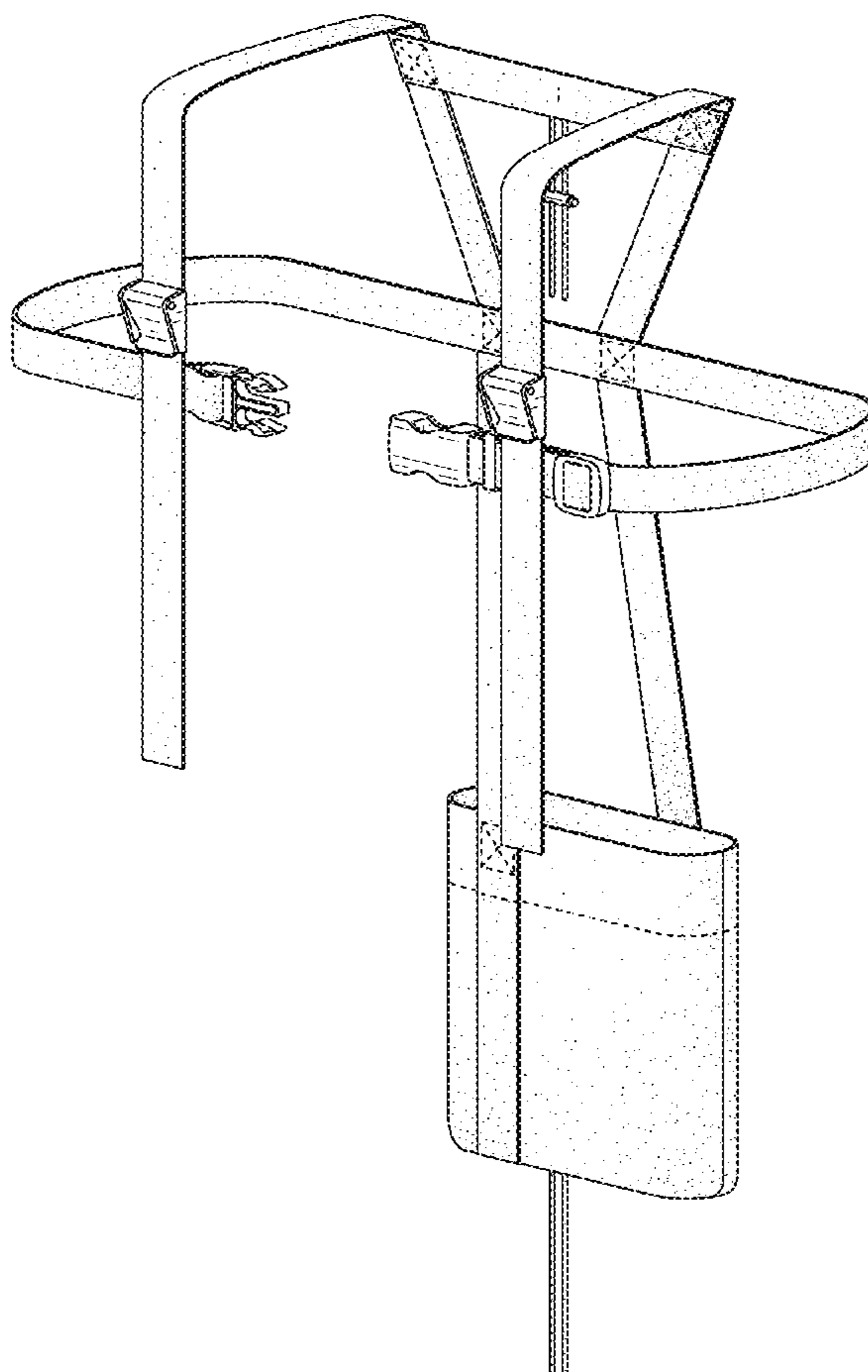
(57) **CLAIM**

The ornamental design for a rifle holder, as shown and described.

**DESCRIPTION**

FIG. 1 is a perspective view of the present invention, showing the new design of the rifle holder;  
FIG. 2 is a front elevational view thereof;  
FIG. 3 is a rear elevational view thereof;  
FIG. 4 is a right side elevational view thereof;  
FIG. 5 is a left elevational view thereof;  
FIG. 6 is a top plan view thereof; and,  
FIG. 7 is a bottom plan view thereof.

**1 Claim, 5 Drawing Sheets**



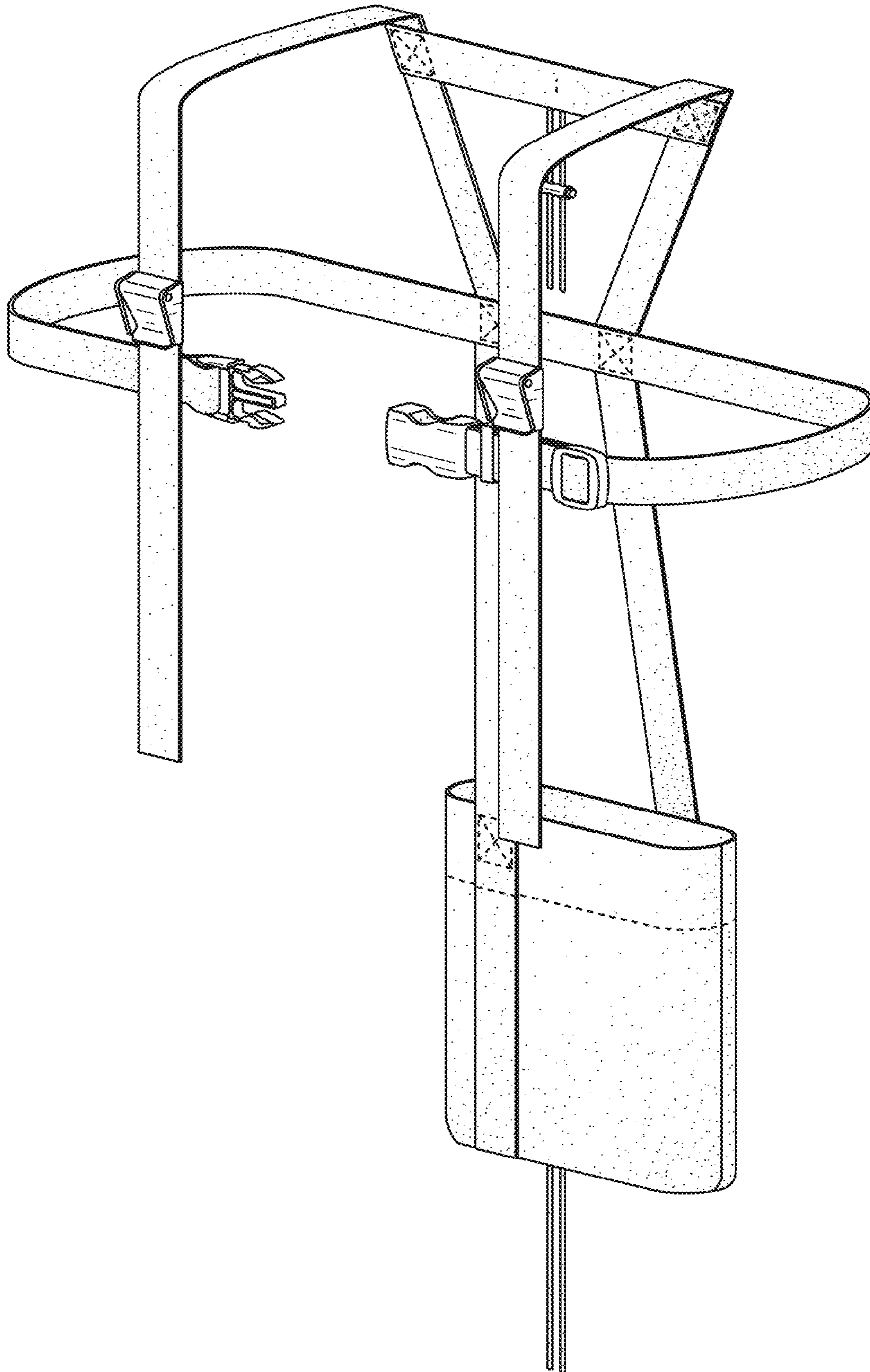


FIG. 1

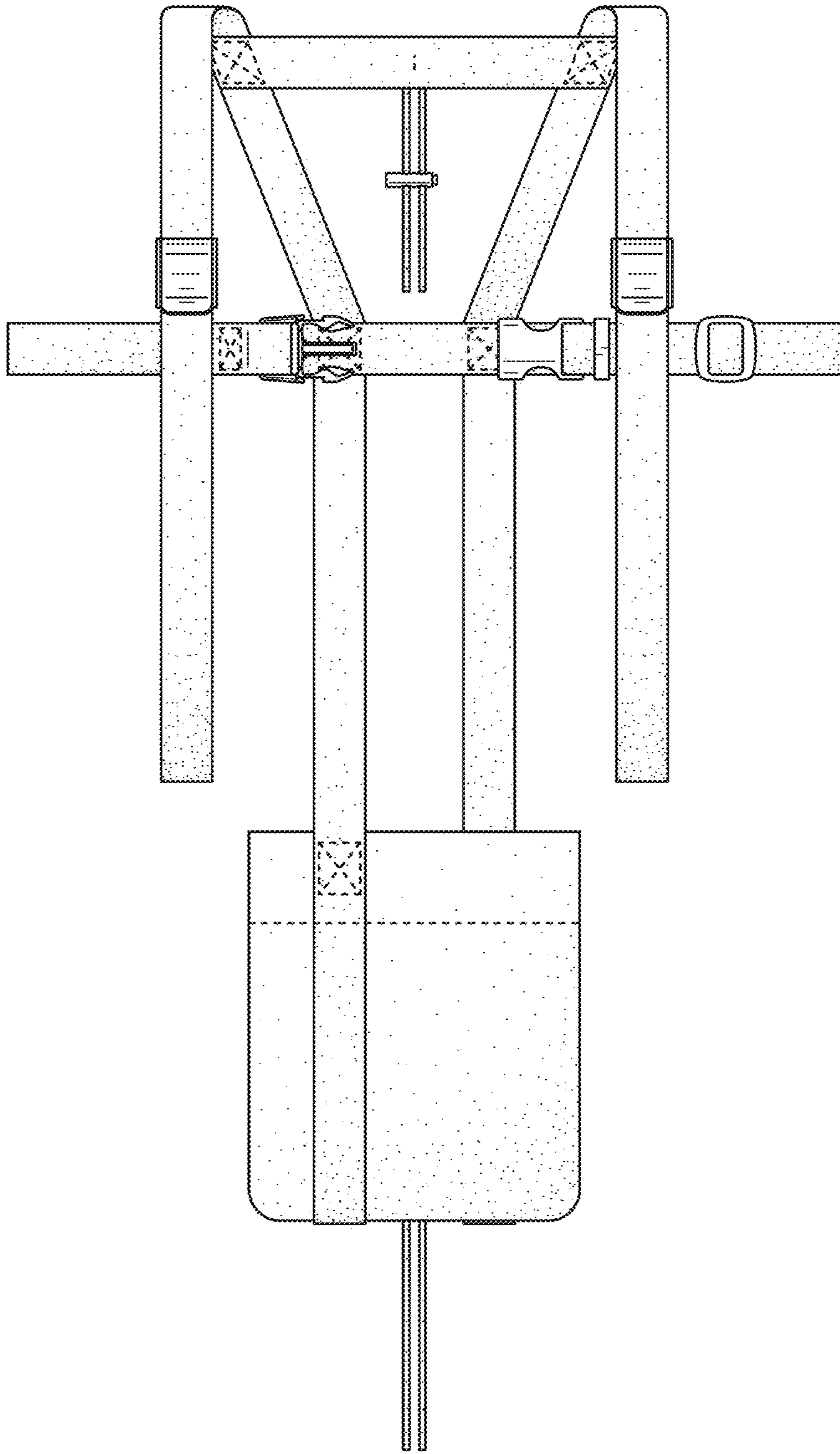


FIG. 2

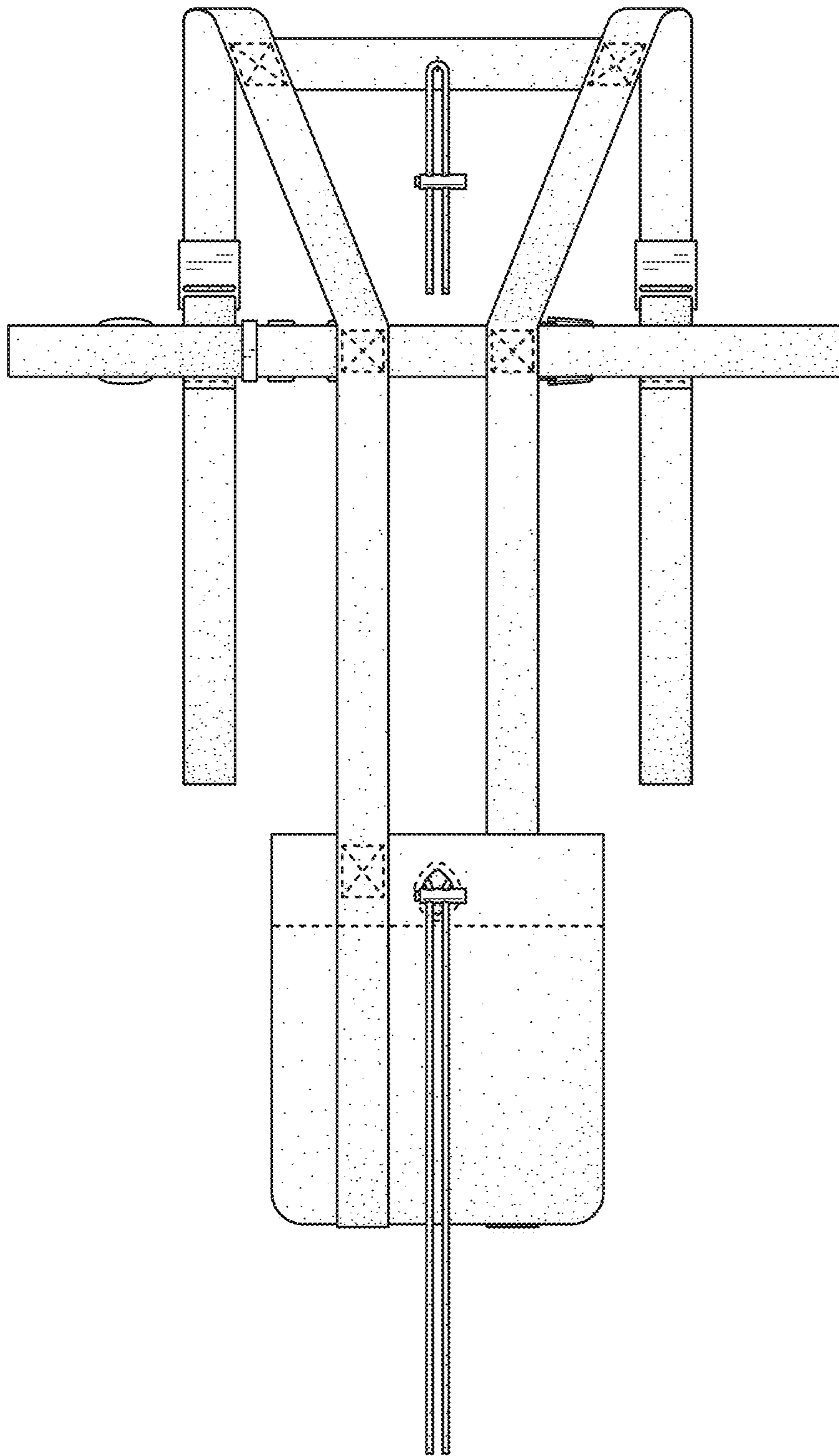


FIG. 3



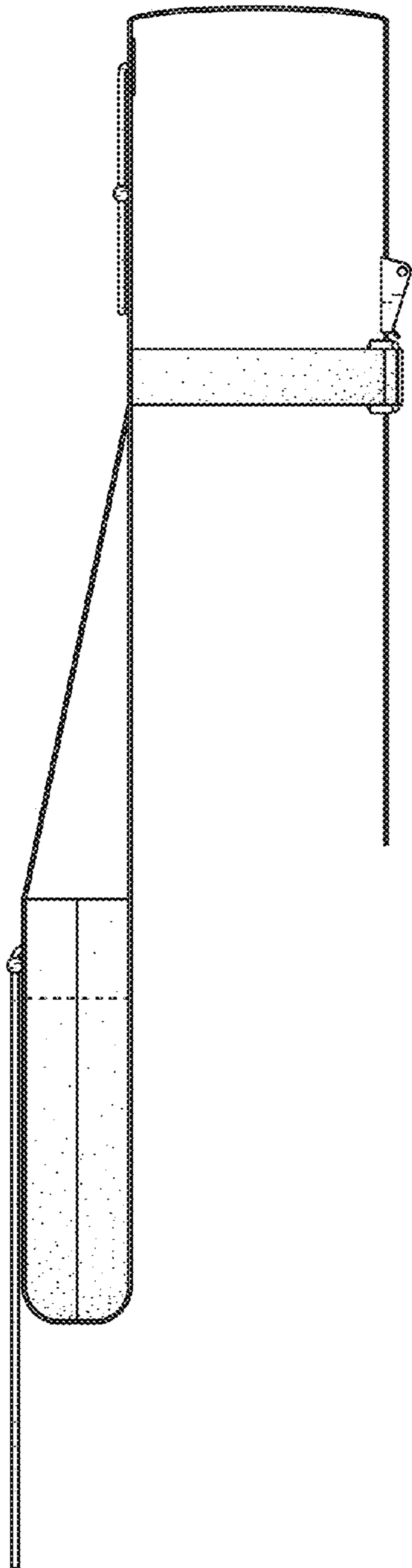


FIG. 4

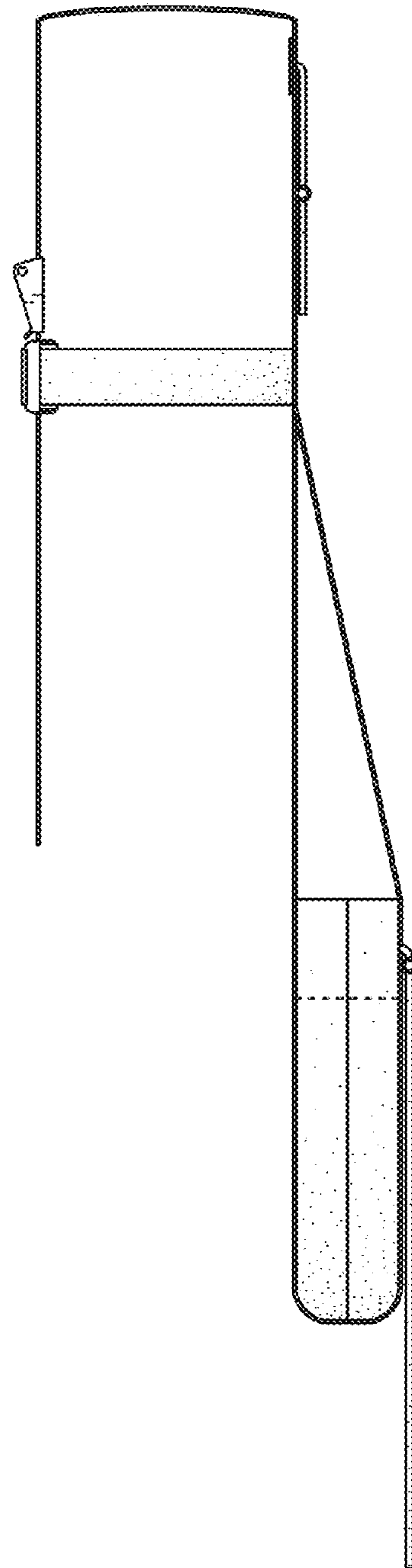


FIG. 5

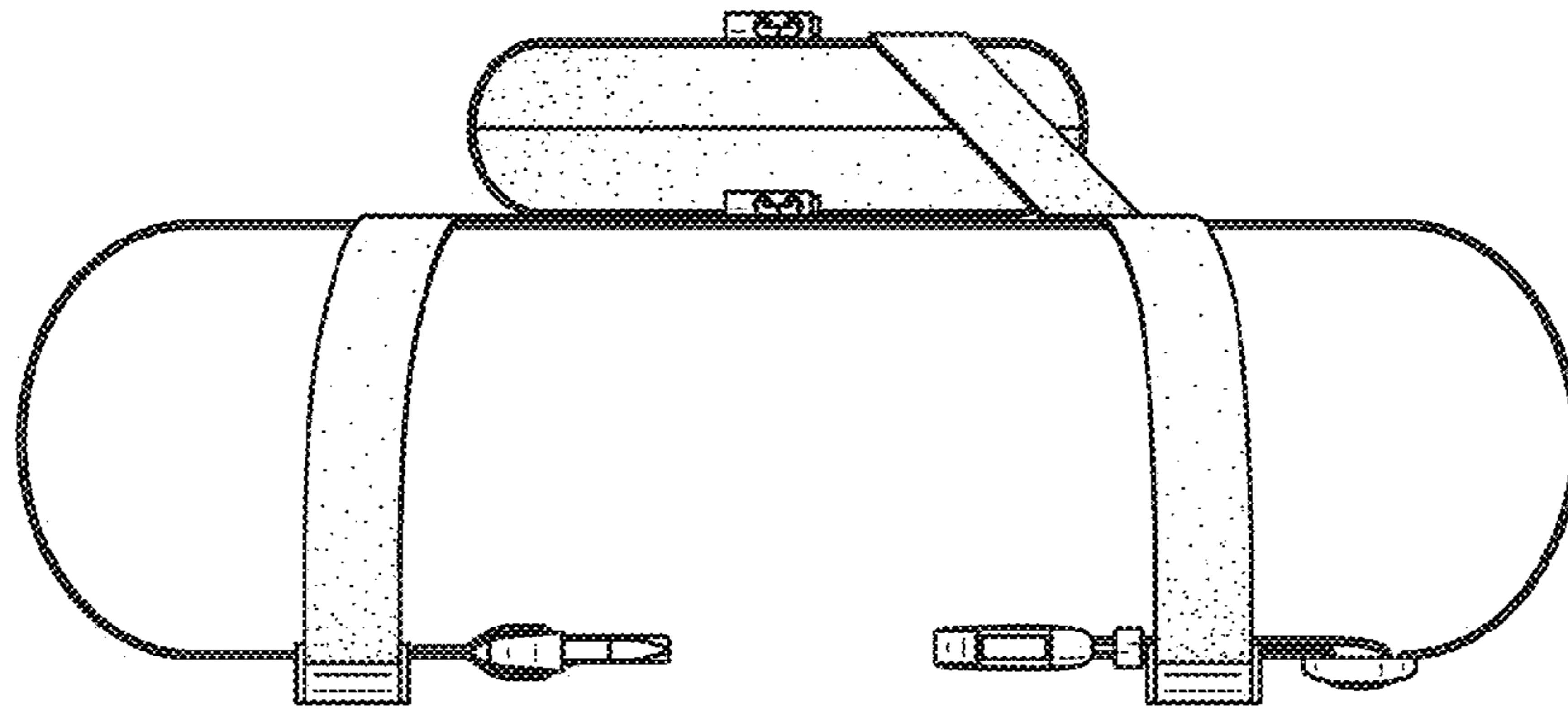


FIG. 6

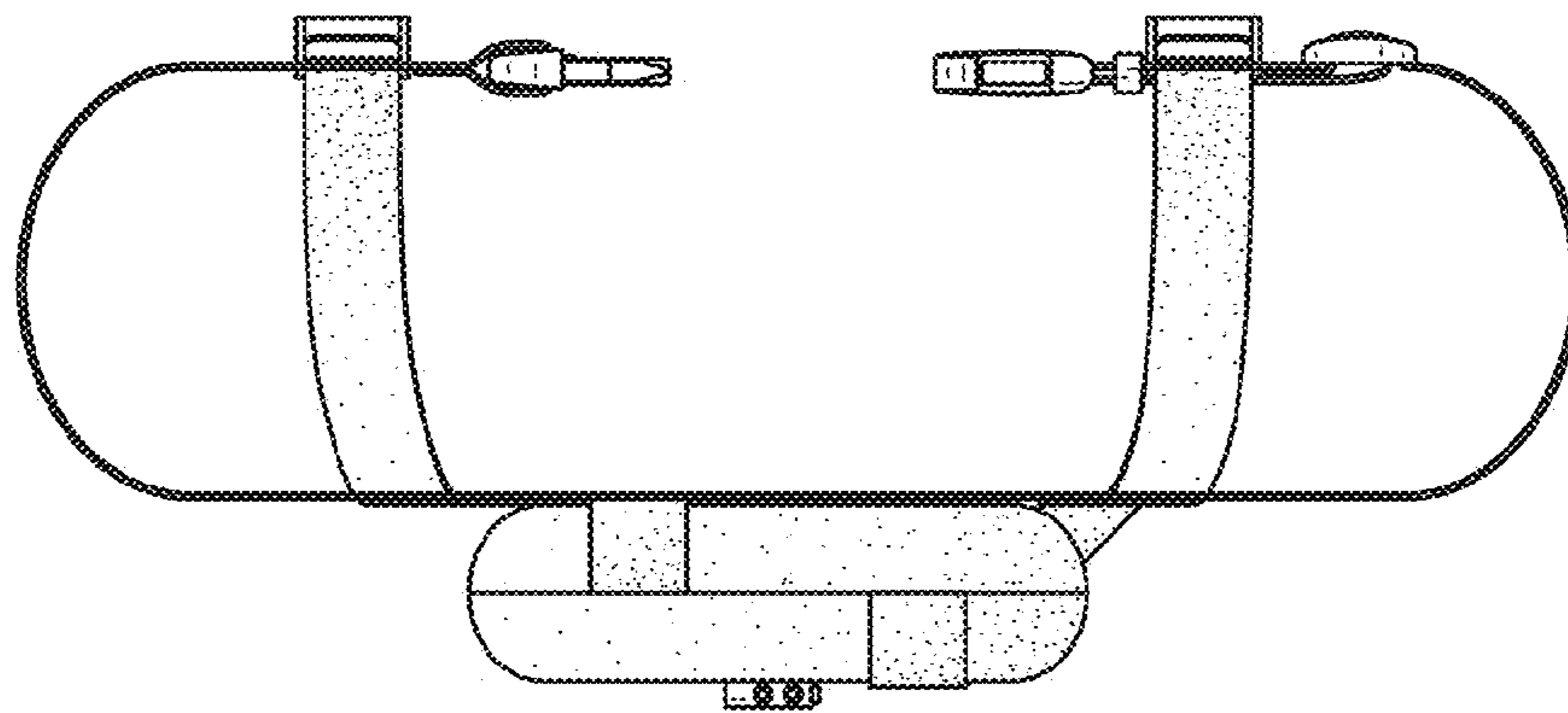


FIG. 7