



US00D728922S

(12) **United States Design Patent**
Taylor

(10) **Patent No.:** **US D728,922 S**

(45) **Date of Patent:** **** May 12, 2015**

(54) **KEY RETAINER**

(71) Applicant: **Michael Taylor**, Savannah, GA (US)

(72) Inventor: **Michael Taylor**, Savannah, GA (US)

(**) Term: **14 Years**

(21) Appl. No.: **29/493,570**

(22) Filed: **Jun. 11, 2014**

(51) **LOC (10) Cl.** **03-01**

(52) **U.S. Cl.**
USPC **D3/207**

(58) **Field of Classification Search**

CPC H04R 5/033; H04R 1/1058; H04R 1/1033
USPC D11/1-2, 14, 26-29, 89-92, 44, 48, 81,
D11/99; 63/26-28, 32; D3/207-212; D8/16,
D8/38, 347, 348; 70/456 B, 457, 458;
206/37.1; D14/434, 435, 435.1, 436,
D14/439, 480.3, 480.1, 480.5, 480.7;
D24/174, 173, 480.3

See application file for complete search history.

(56) **References Cited**

U.S. PATENT DOCUMENTS

1,658,431 A * 2/1928 Dodson 70/456 R
D97,570 S * 11/1935 Trolen D3/210
D123,841 S * 12/1940 Owens D3/212

3,436,942 A * 4/1969 Procter 70/456 R
4,253,321 A * 3/1981 Sorensen 70/456 R
D381,499 S * 7/1997 Campbell D3/212
D705,533 S 5/2014 Tunney
D714,539 S * 10/2014 Busch D3/207

* cited by examiner

Primary Examiner — Ralf Seifert

(74) *Attorney, Agent, or Firm* — Maier & Maier, PLLC

(57) **CLAIM**

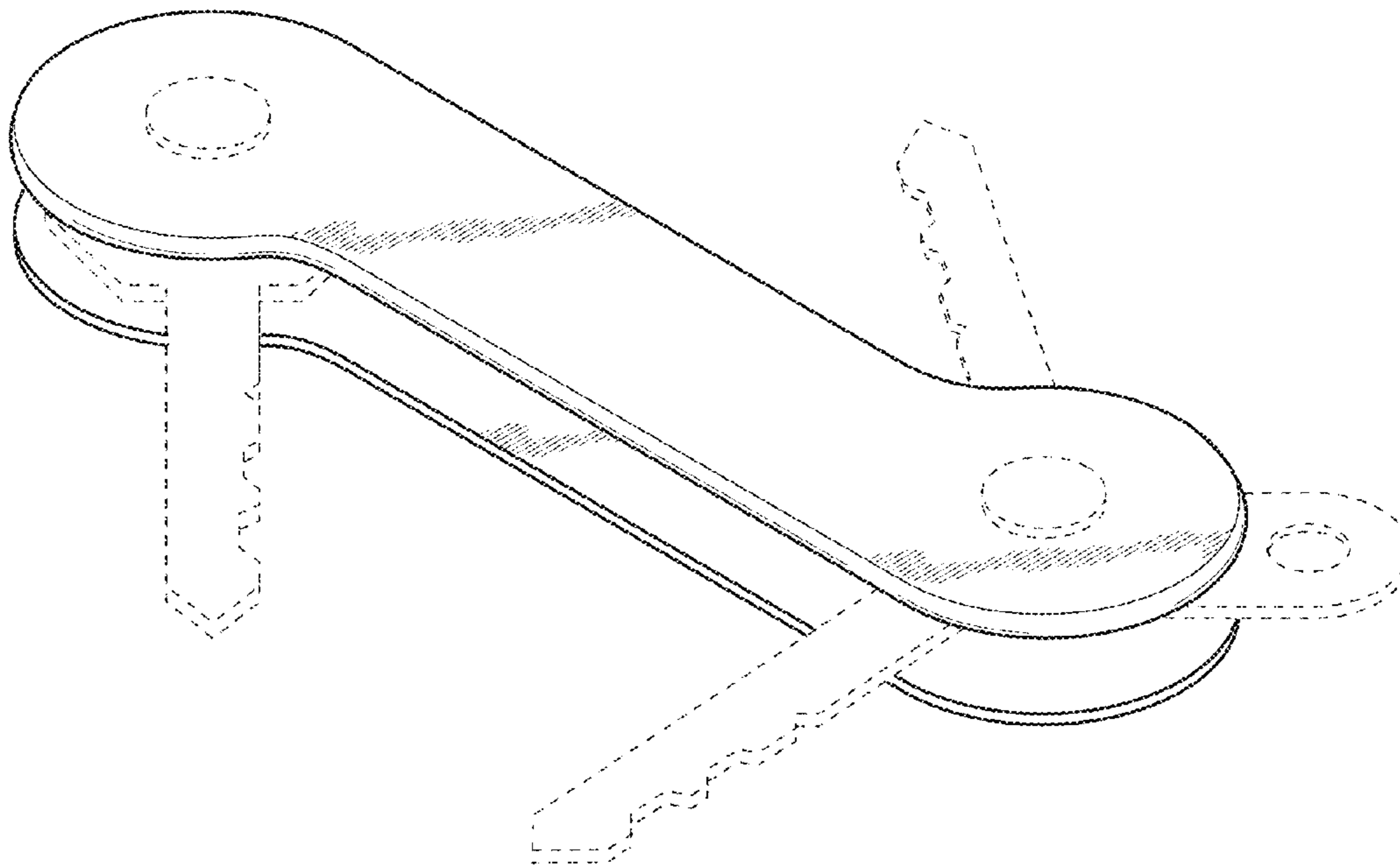
The ornamental design for a key retainer, as shown and described.

DESCRIPTION

FIG. 1 is a view of a key retainer, showing my design;
FIG. 2 is a top plan view thereof;
FIG. 3 is a bottom plan view thereof;
FIG. 4 is a front elevation view thereof;
FIG. 5 is a rear elevation view thereof;
FIG. 6 is a right end elevation view thereof;
FIG. 7 is a left end elevation view thereof; and,
FIG. 8 is an isometric view thereof showing an exemplary use
of the key retainer.

The broken line showing in the Figures illustrates environment and forms no part of the claimed design.

1 Claim, 4 Drawing Sheets



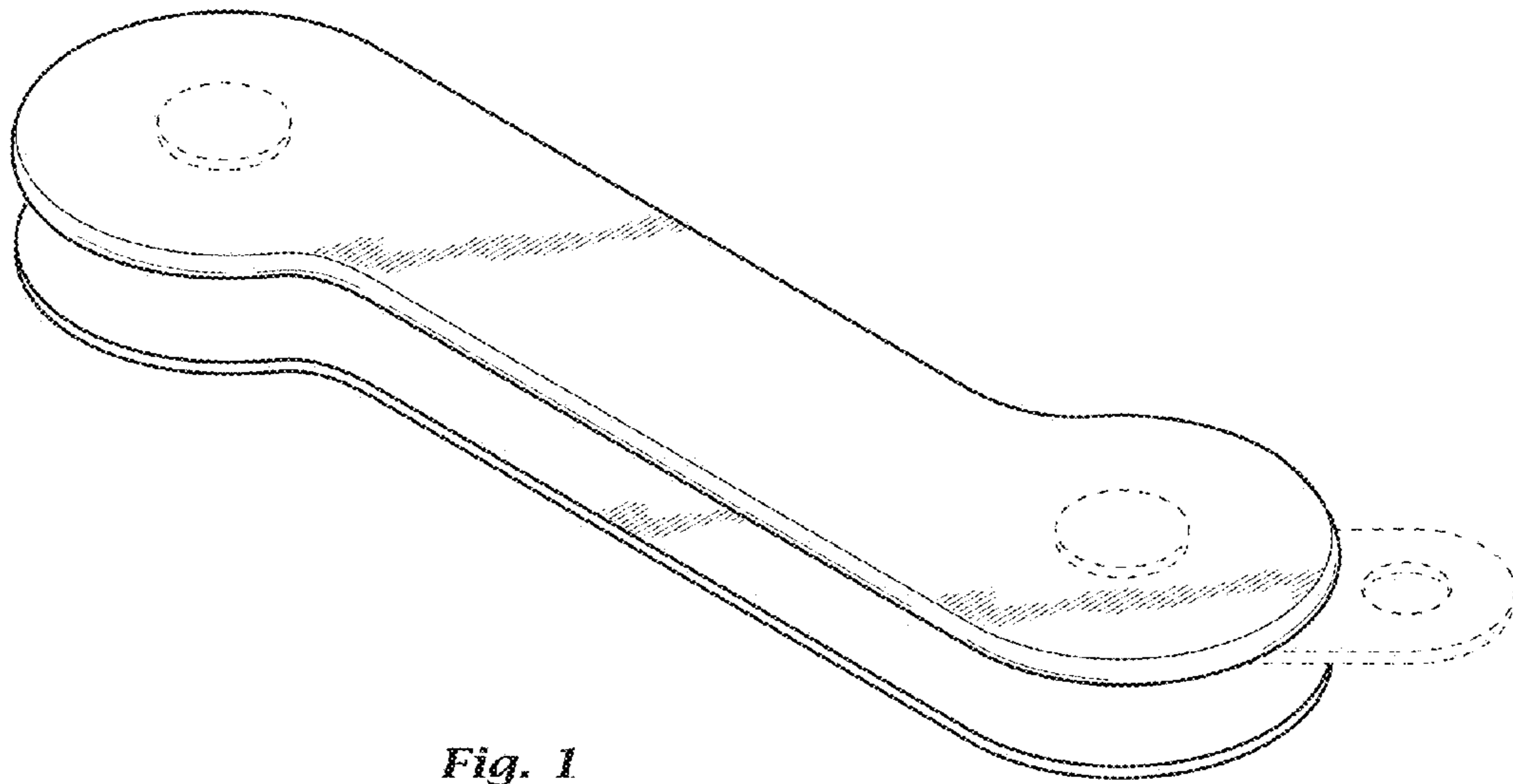


Fig. 1

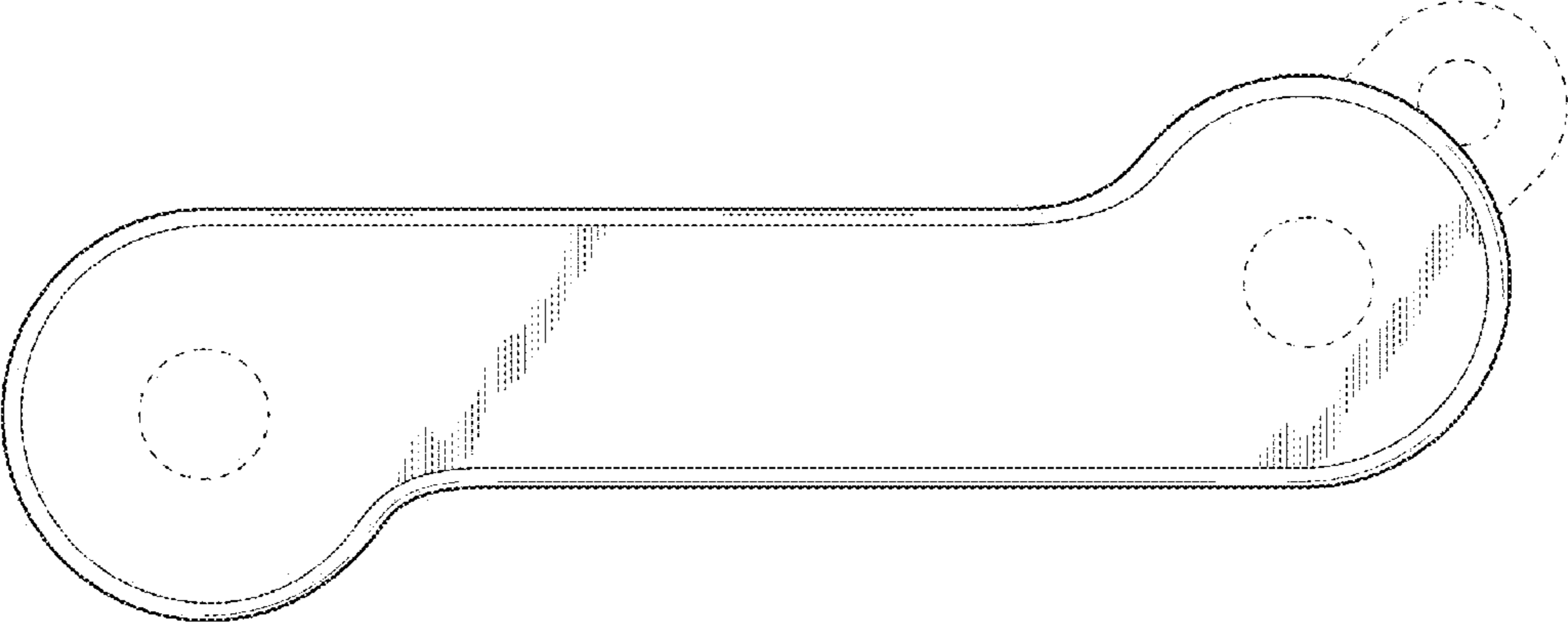


Fig. 2

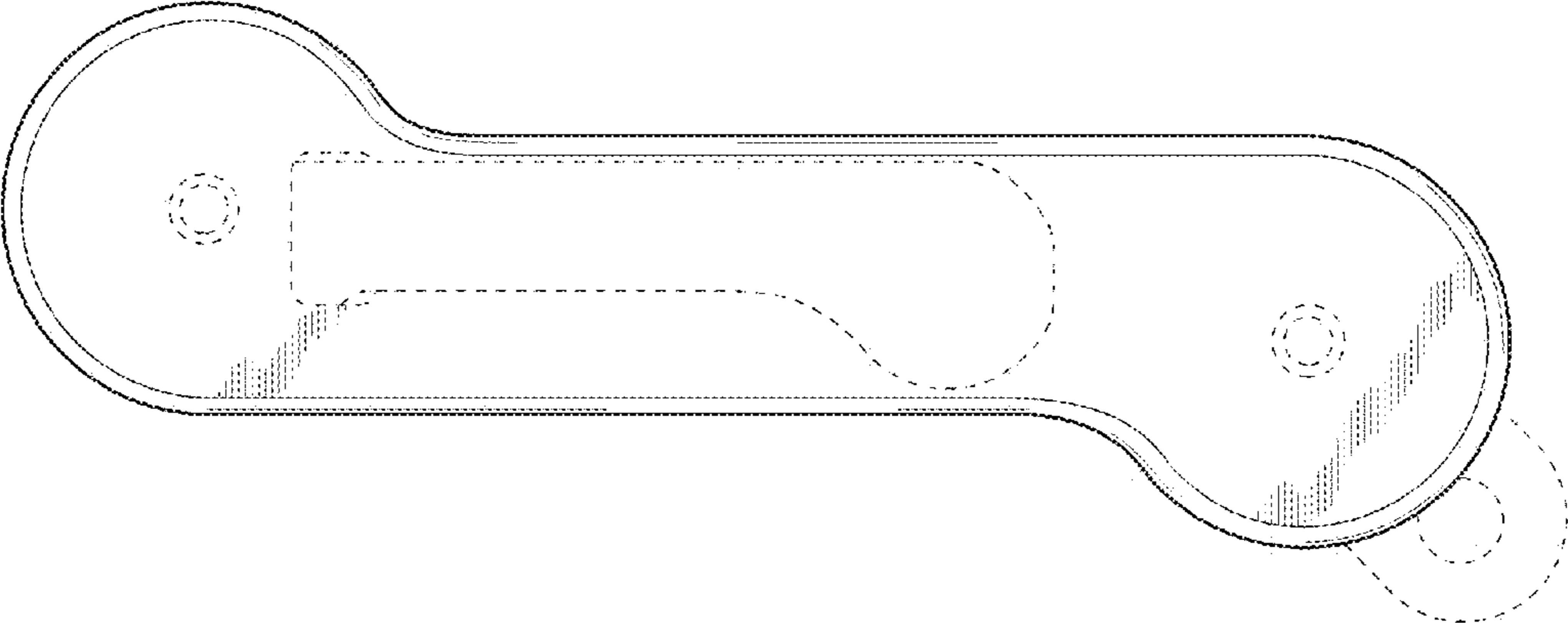


Fig. 3

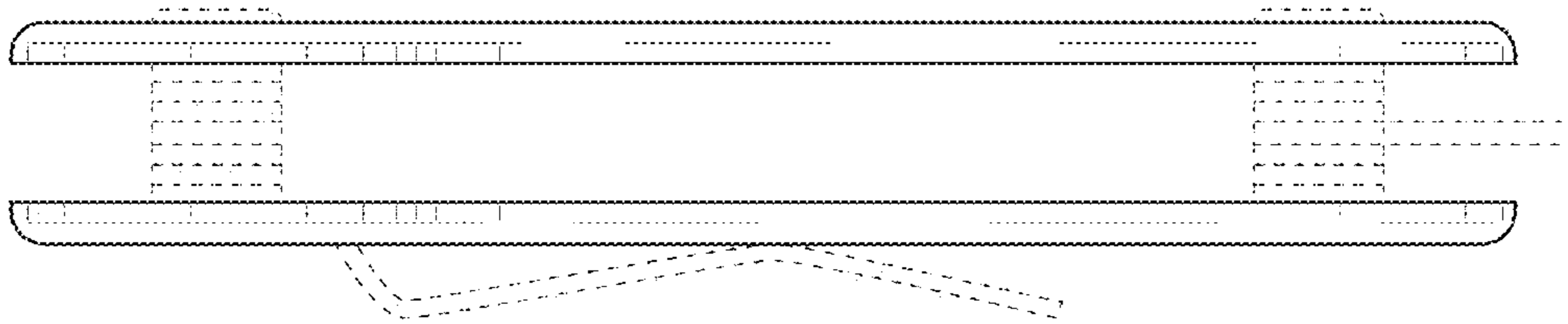


Fig. 4

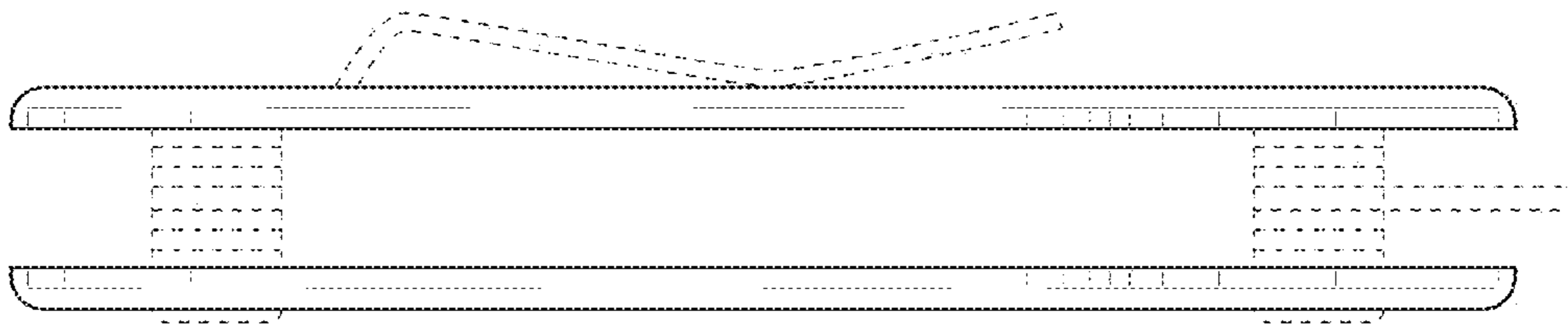


Fig. 5

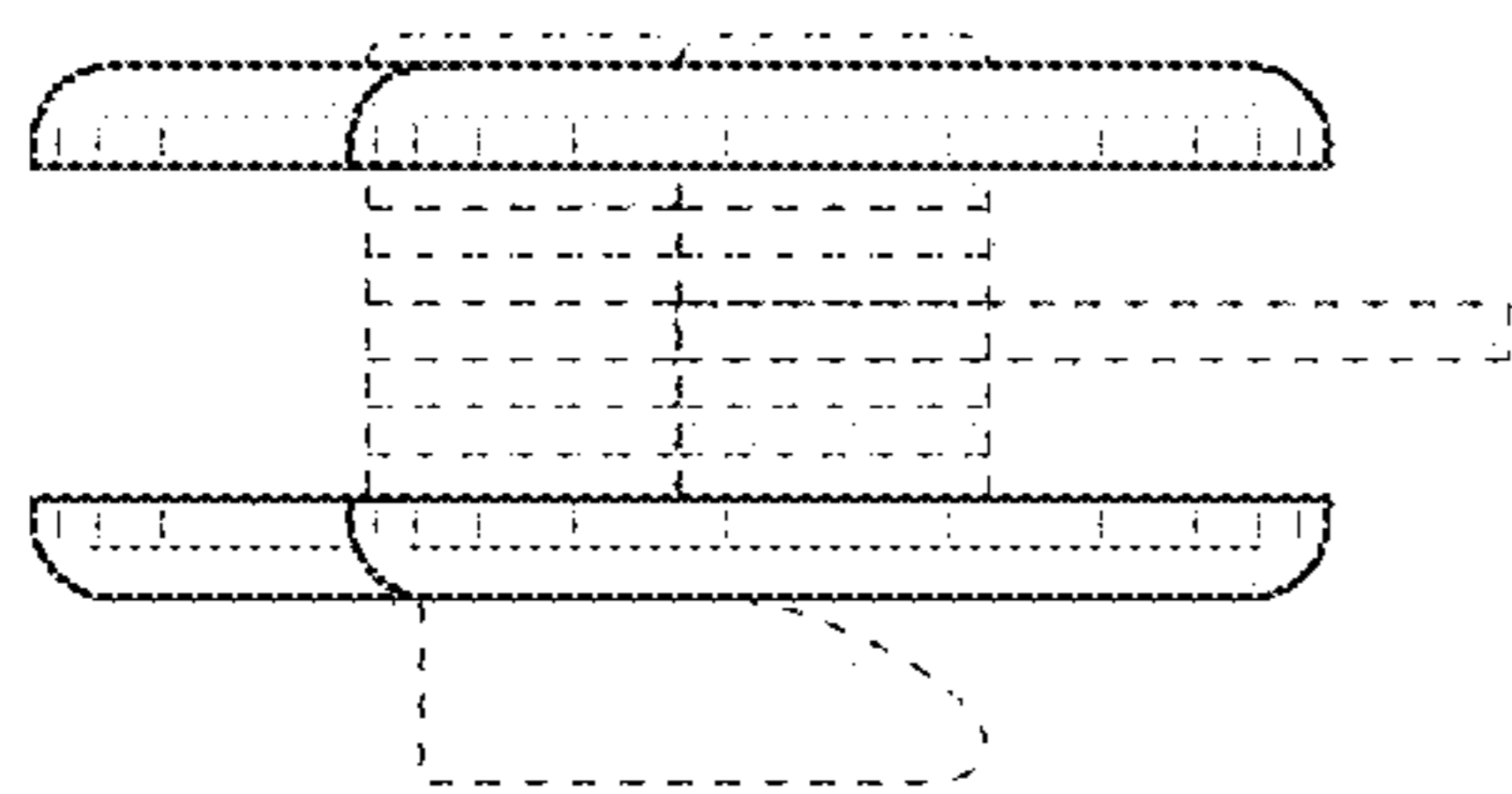


Fig. 6

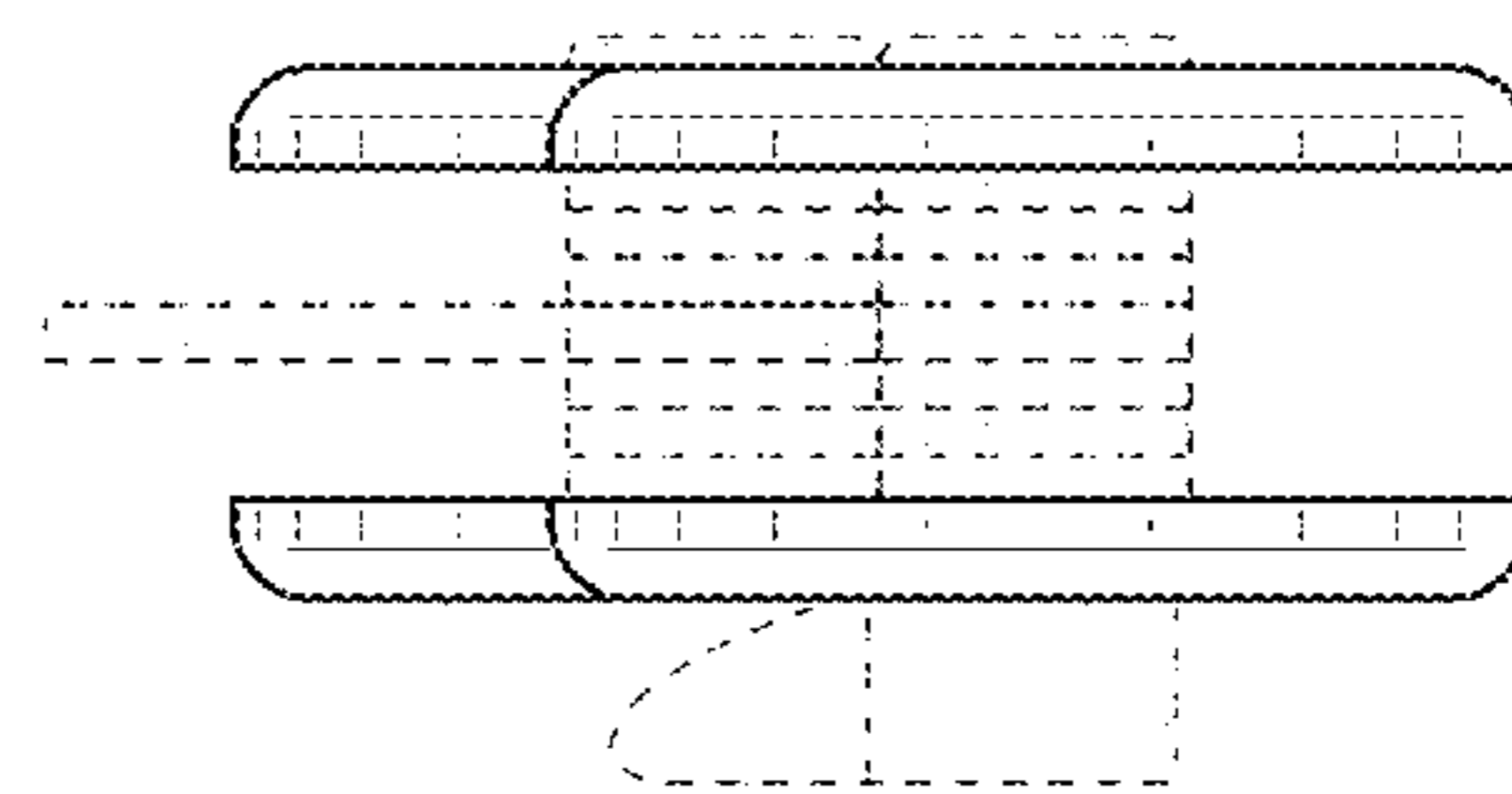


Fig. 7

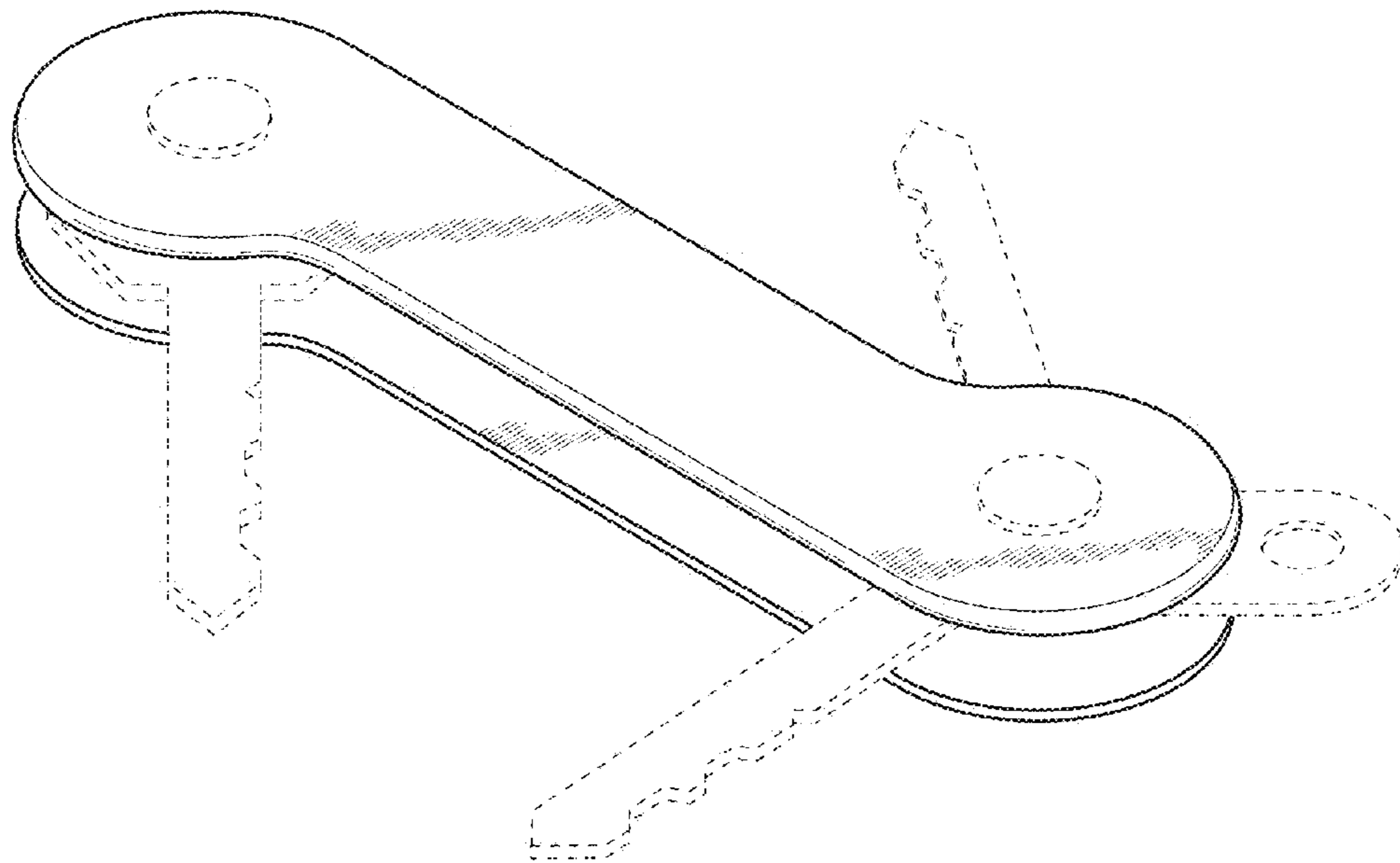


Fig. 8