



US00D728903S

(12) **United States Design Patent**  
**Turman**

(10) **Patent No.:** **US D728,903 S**

(45) **Date of Patent:** **\*\* May 12, 2015**

(54) **SURF BOOT**

(71) Applicant: **Todd Turman**, Oceanside, CA (US)

(72) Inventor: **Todd Turman**, Oceanside, CA (US)

(\*\*) Term: **14 Years**

(21) Appl. No.: **29/446,389**

(22) Filed: **Feb. 22, 2013**

(51) **LOC (10) Cl.** ..... **02-04**

(52) **U.S. Cl.**  
USPC ..... **D2/903**

(58) **Field of Classification Search**  
USPC ..... D2/896, 902, 903, 905, 909, 910, 911,  
D2/912, 913, 916, 917, 918, 919, 943, 946,  
D2/947, 951, 953, 980, 983, 993; 36/83,  
36/88, 96, 113, 114, 115, 126-131, 117.1,  
36/122, 11.5, 25 R, 28, 32 R

See application file for complete search history.

(56) **References Cited**

**U.S. PATENT DOCUMENTS**

1,731,276	A *	10/1929	Skoglund	602/62
1,930,188	A *	10/1933	Arthur	602/66
2,494,701	A *	1/1950	Gogerty	36/81
3,028,861	A *	4/1962	Shapiro	602/65
3,605,122	A *	9/1971	Myers	2/239
D229,197	S *	11/1973	Jackson	D30/146
D312,168	S *	11/1990	Osterhout	D2/903
D319,339	S *	8/1991	Stringham	D2/902
D320,497	S *	10/1991	Steele	D2/970
D339,671	S *	9/1993	Manning	D24/192
D369,017	S *	4/1996	Watts	D2/911
D379,251	S *	5/1997	Mezey	D30/146
D397,797	S *	9/1998	Chiang	D24/192
5,865,779	A *	2/1999	Gleason	602/30

5,867,838	A *	2/1999	Corry	2/239
6,546,704	B1 *	4/2003	Fisher	54/82
D487,842	S *	3/2004	Booker, III	D2/980
6,851,394	B1 *	2/2005	Young	119/850
D506,595	S *	6/2005	Rimple	D2/916
D595,049	S *	6/2009	Rice	D2/994
D606,729	S *	12/2009	Venturelli	D2/896
D618,889	S *	7/2010	Jones	D2/909

\* cited by examiner

*Primary Examiner* — Elizabeth J Oswecki

(74) *Attorney, Agent, or Firm* — Coastal Patent Law Group, P.C.

(57) **CLAIM**

The ornamental design for a surf boot, as shown and described.

**DESCRIPTION**

FIG. 1 is a front, top, left perspective view of a surf boot showing my new design;

FIG. 2 is another front perspective view thereof, shown in a used condition with a foot inserted, the foot being shown in broken lines;

FIG. 3 is a top, rear, right side perspective view thereof;

FIG. 4 is a front view thereof;

FIG. 5 is a rear view thereof;

FIG. 6 is a left side view thereof;

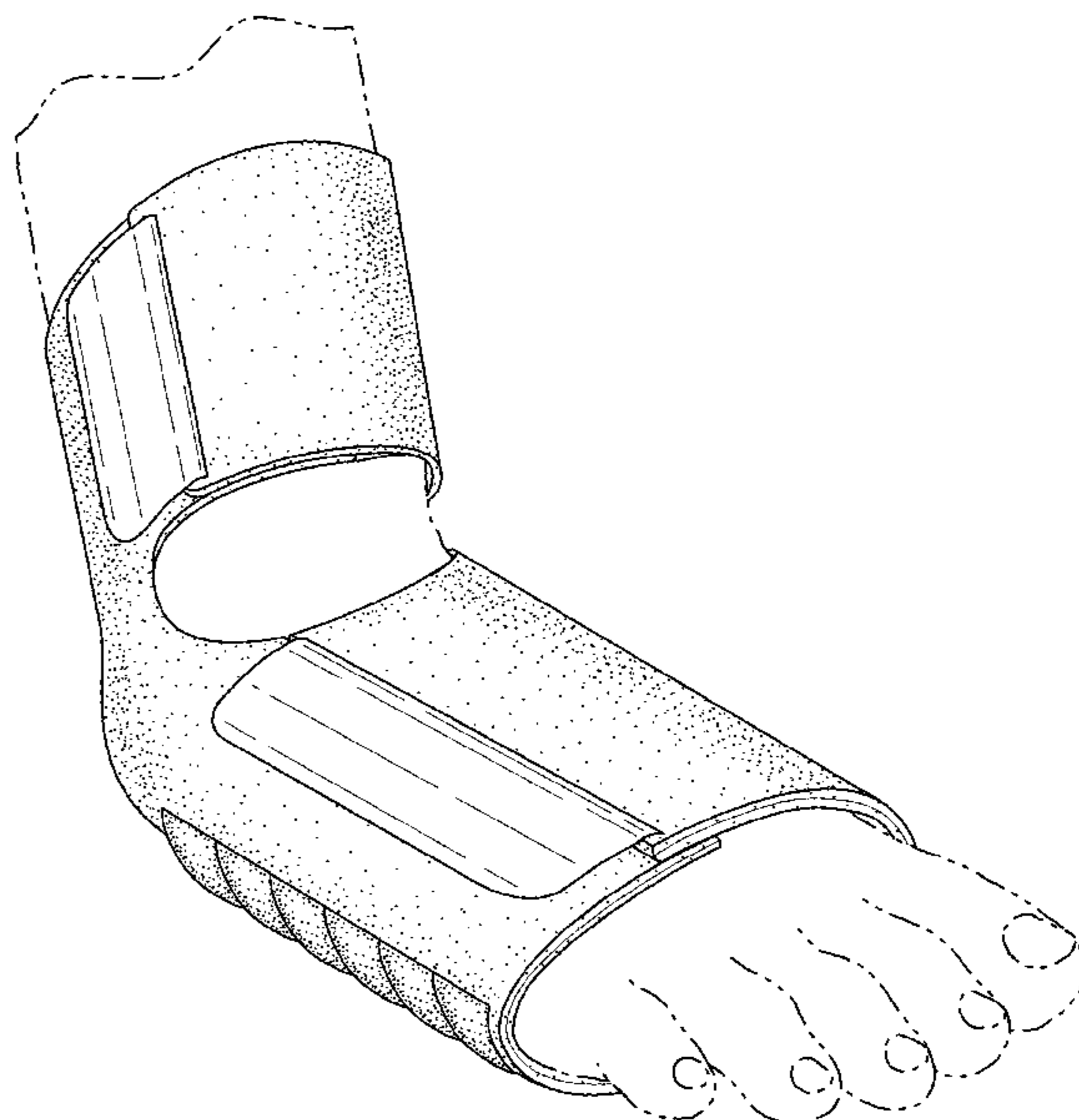
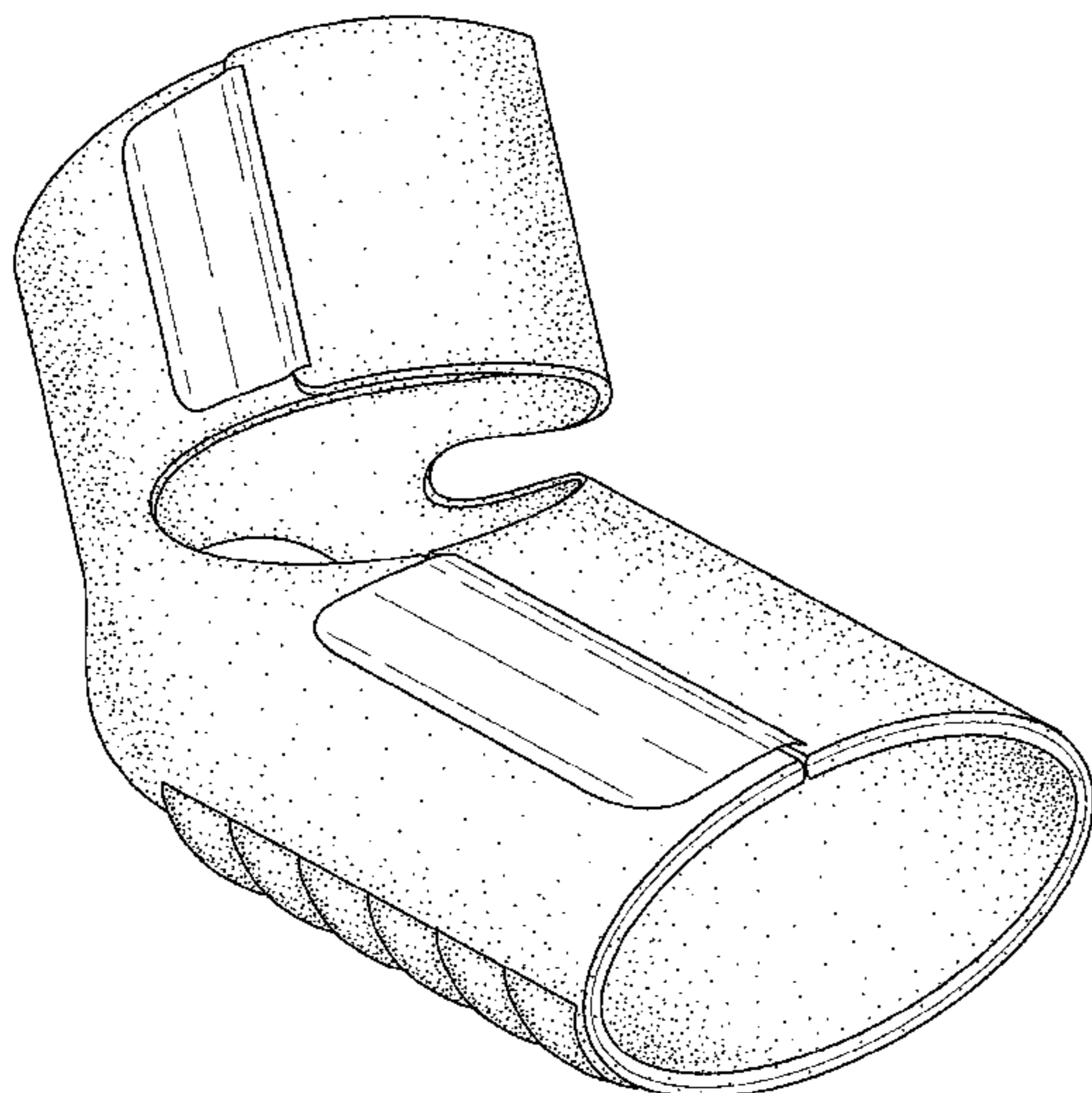
FIG. 7 is a right side view thereof;

FIG. 8 is a top view thereof; and,

FIG. 9 is a bottom view thereof.

The broken lines shown in the drawings of a foot in FIG. 2 represent environmental structure and form no part of the claimed design.

**1 Claim, 9 Drawing Sheets**



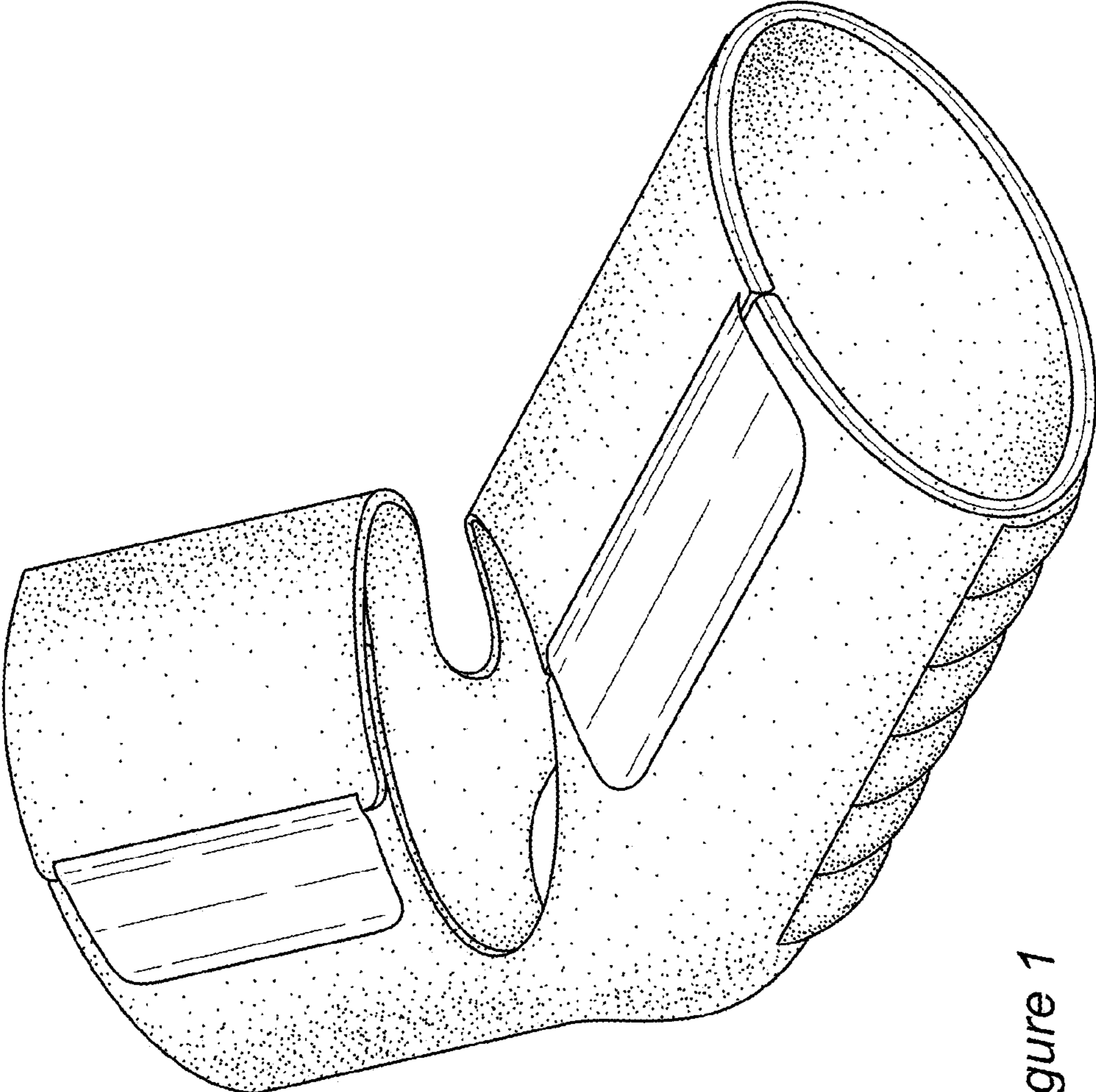


Figure 1

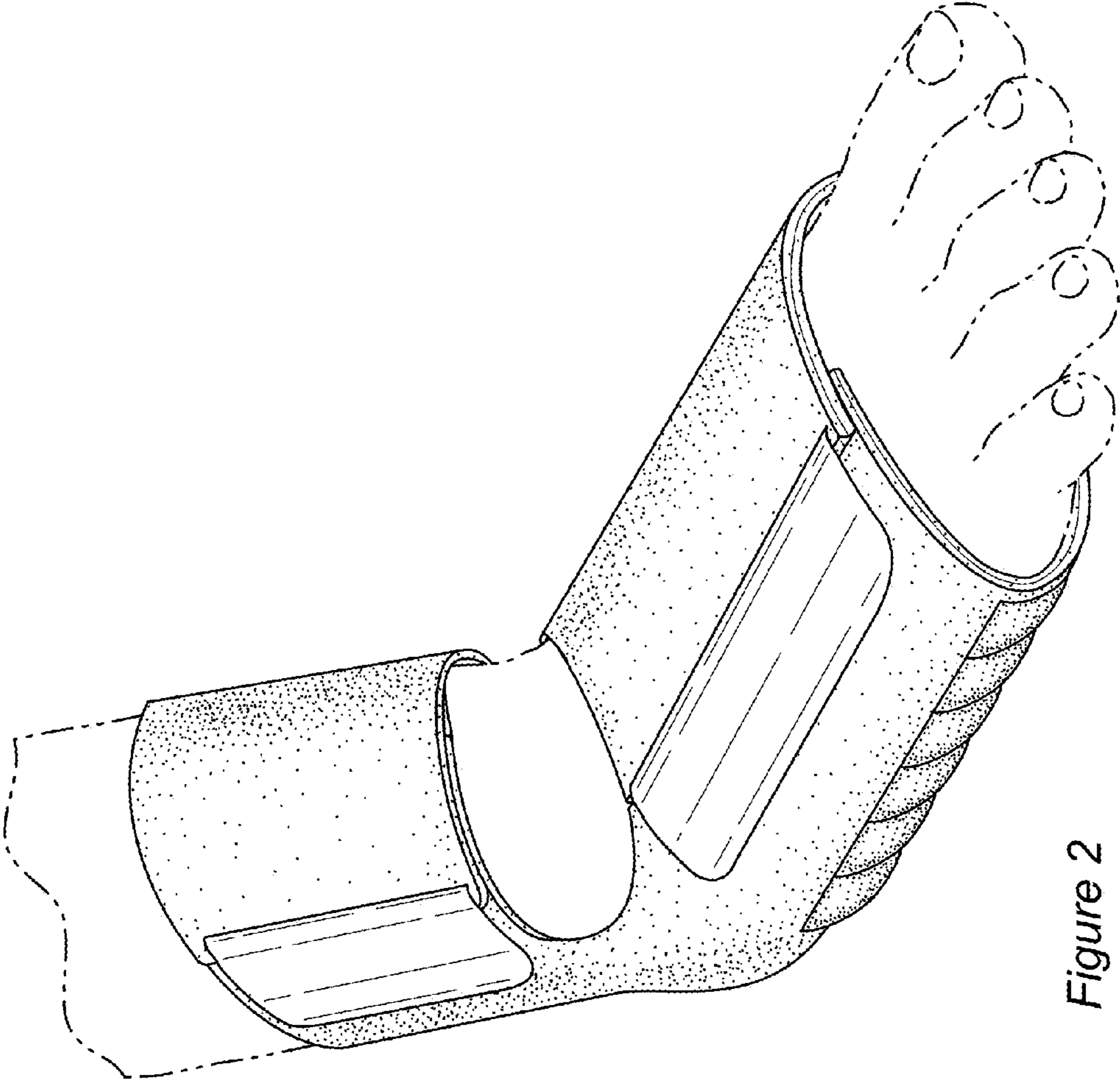


Figure 2

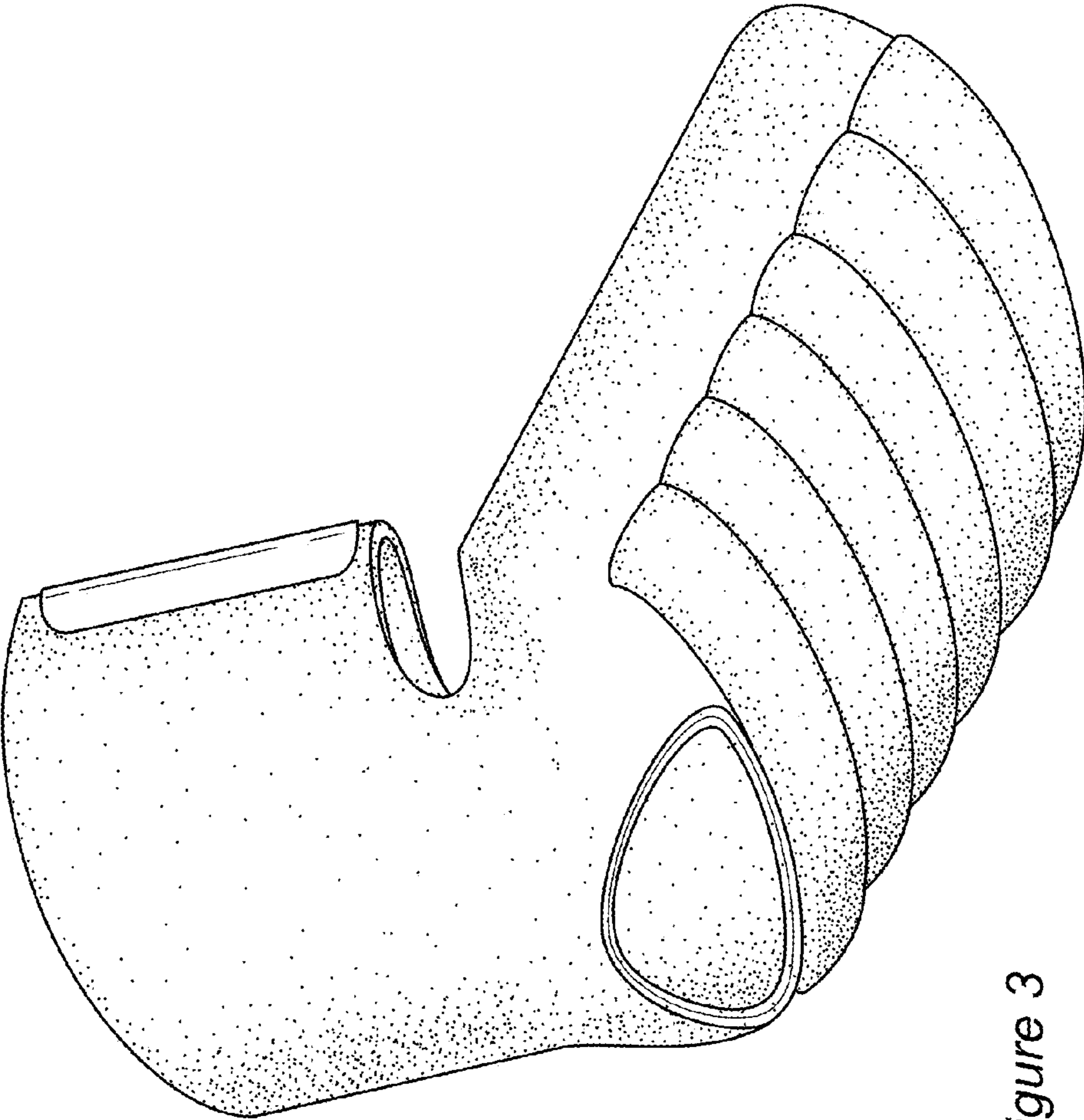


Figure 3

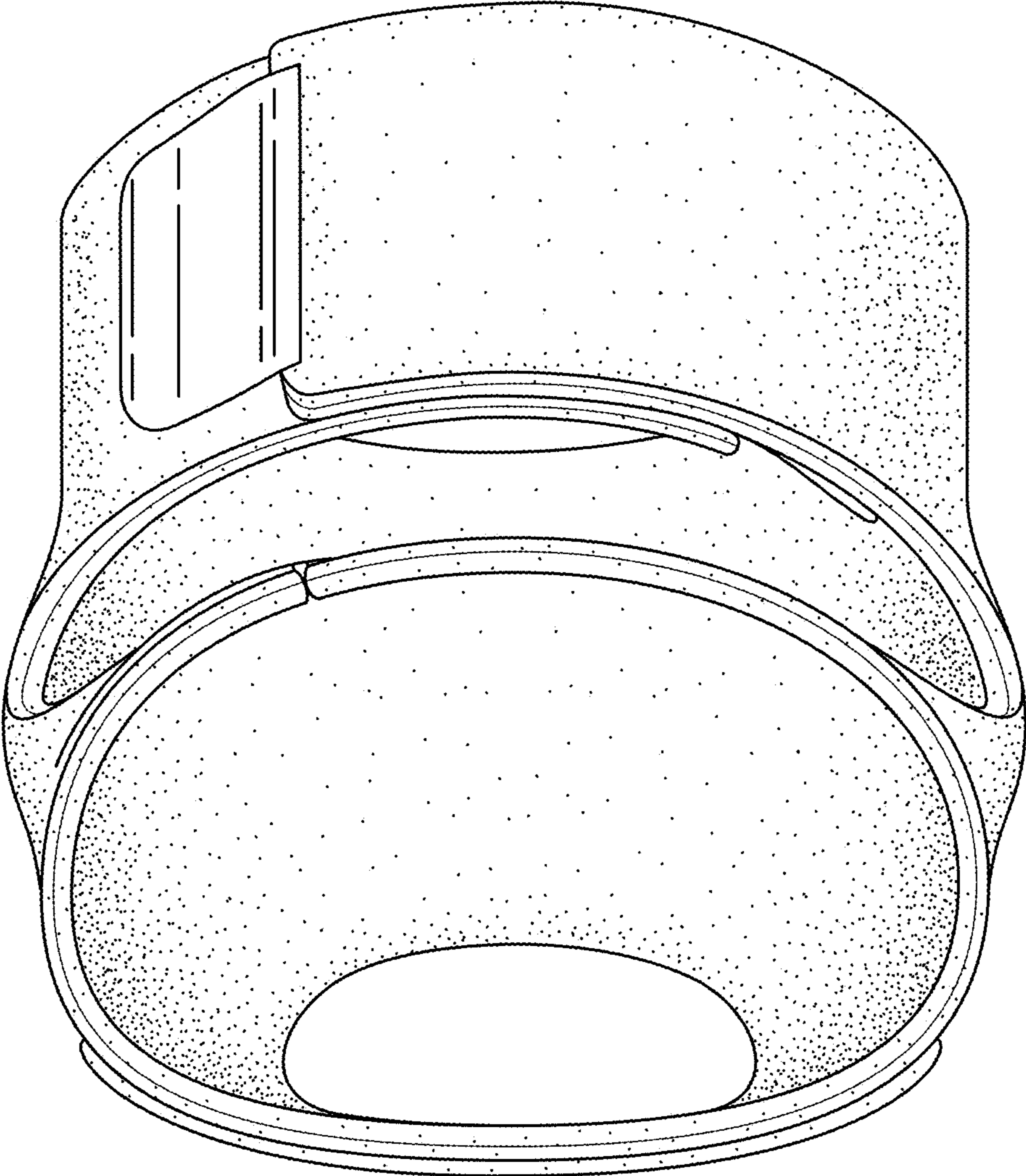


Figure 4

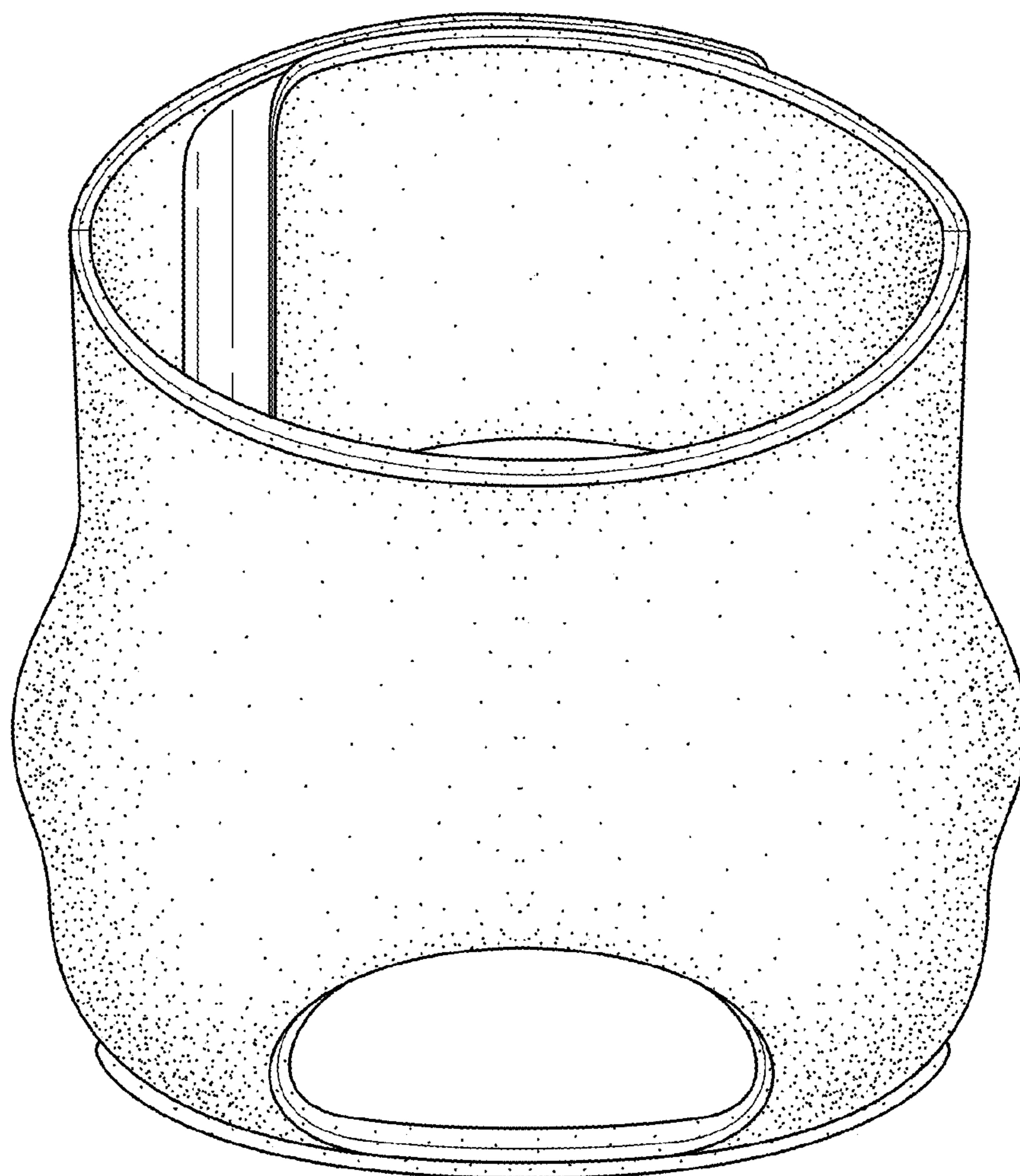


Figure 5

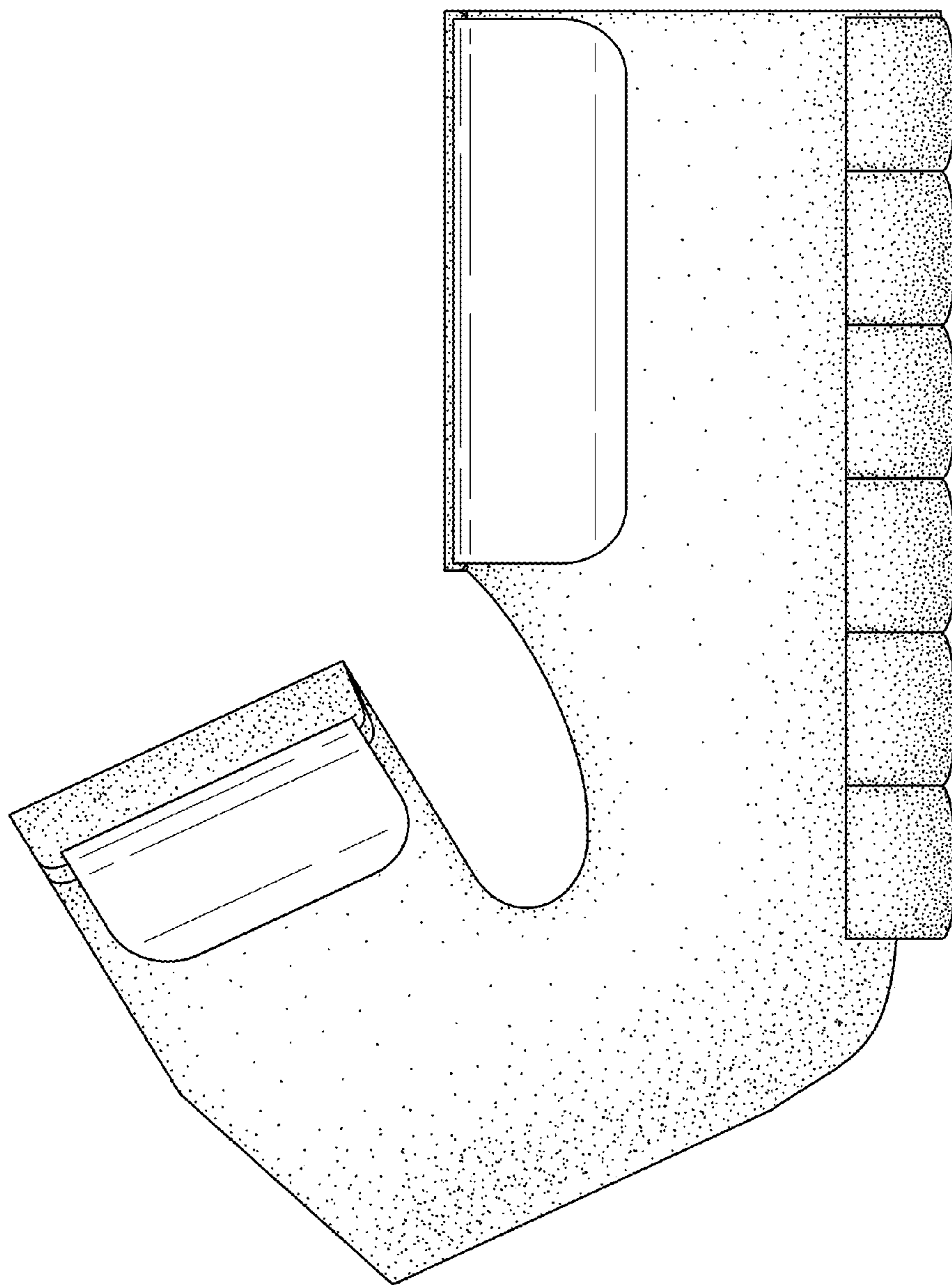


Figure 6

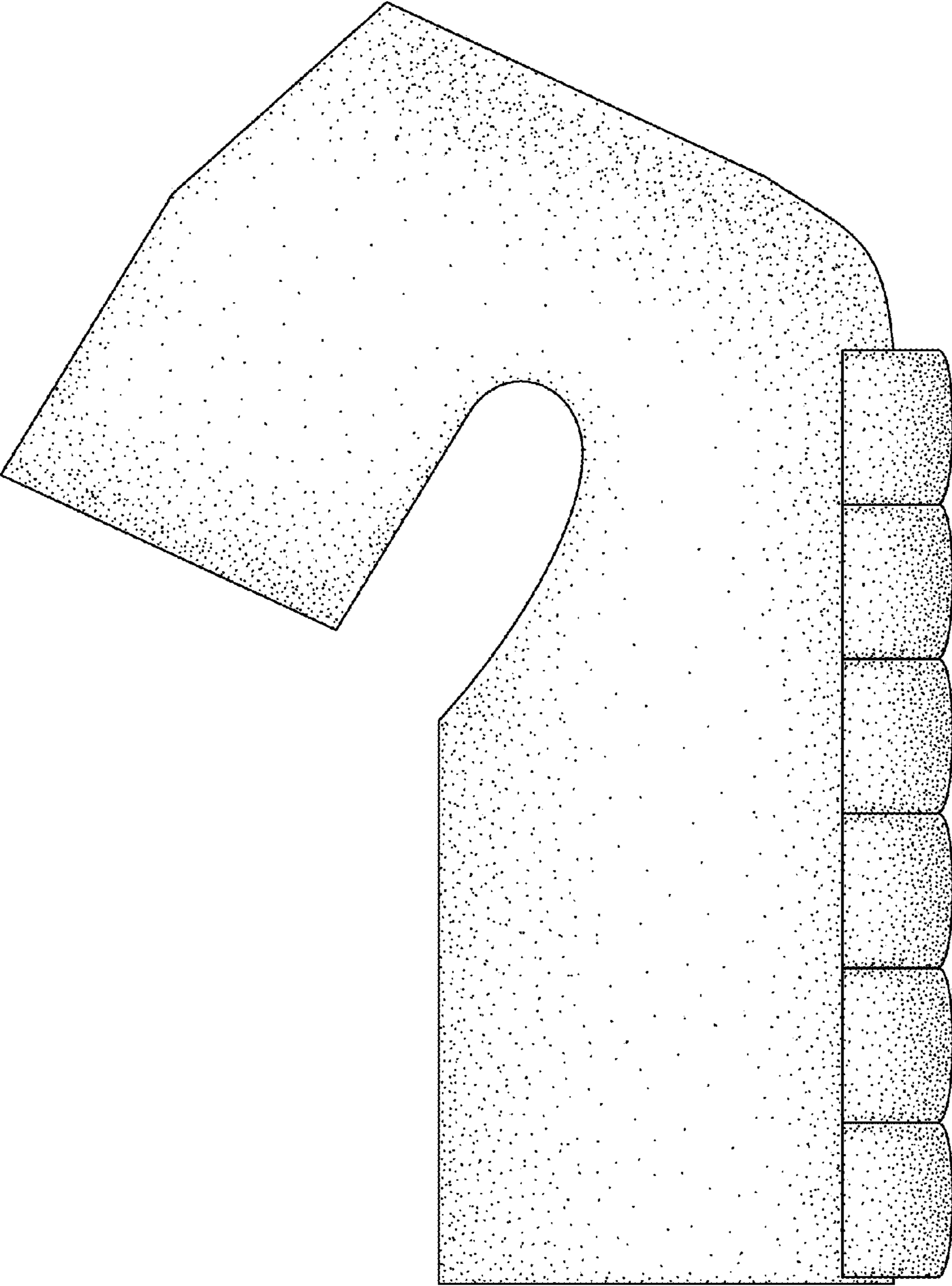


Figure 7



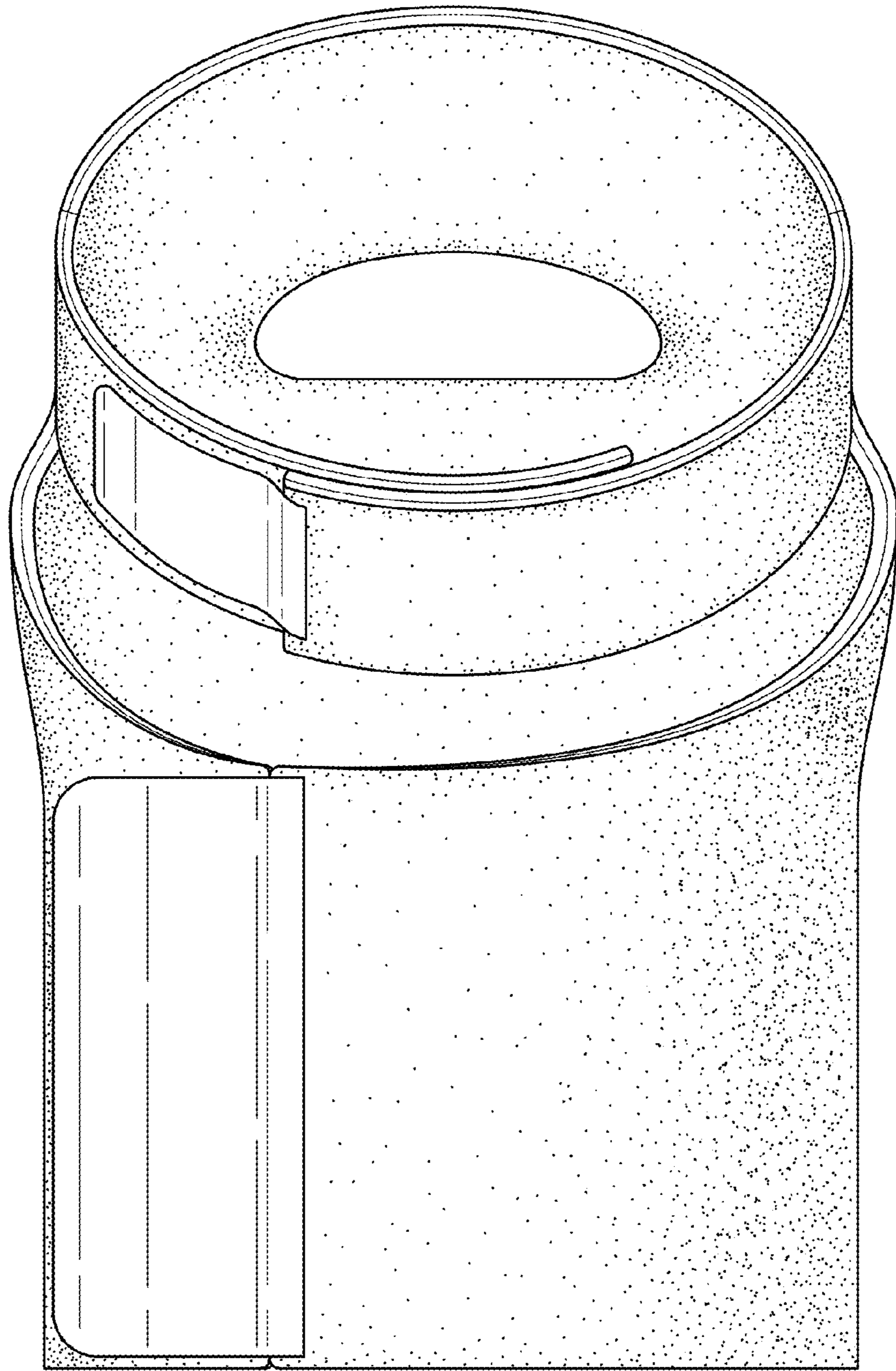


Figure 8

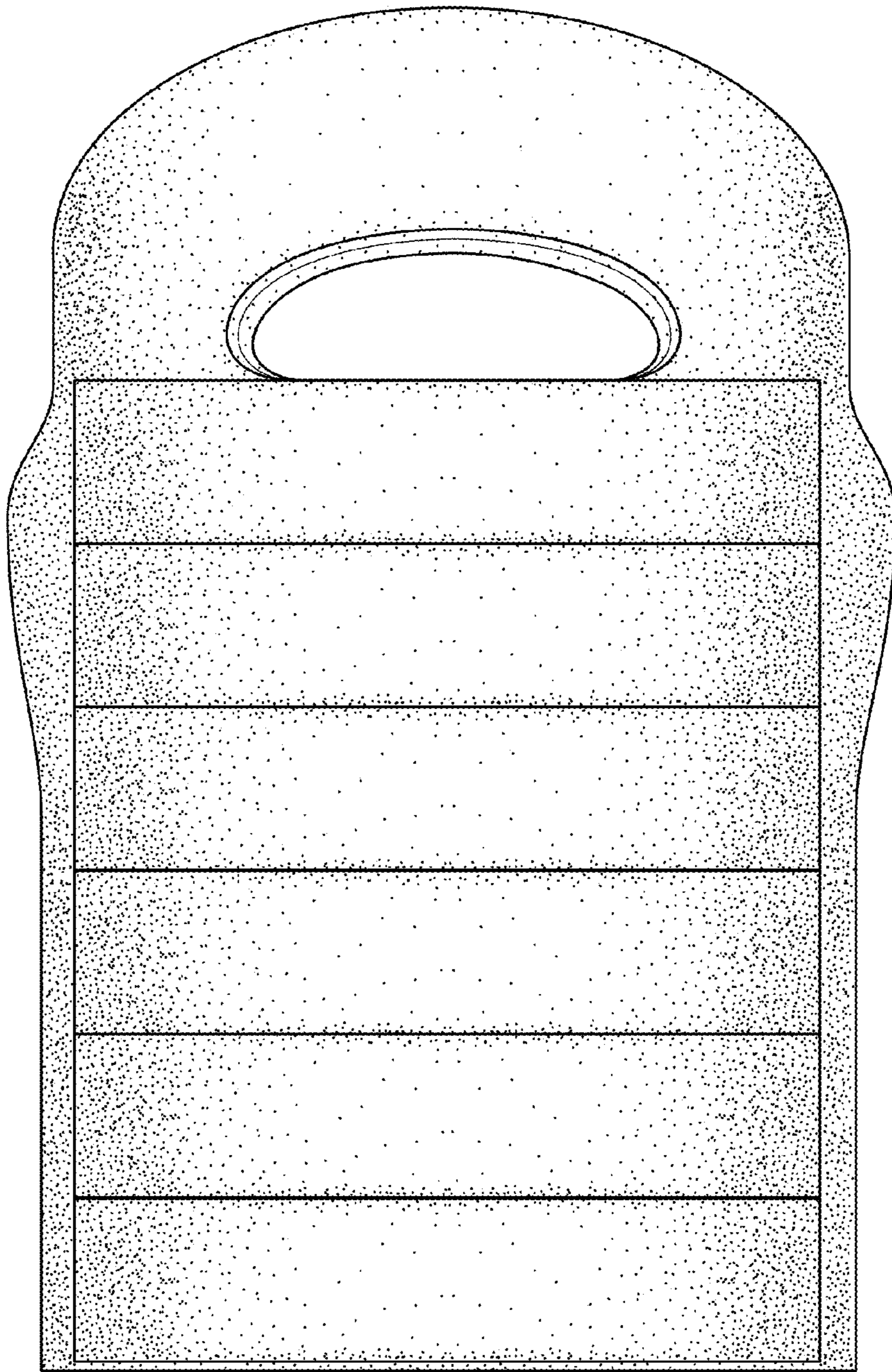


Figure 9