



US00D728890S

(12) **United States Design Patent**
Reed et al.

(10) **Patent No.:** **US D728,890 S**

(45) **Date of Patent:** **** May 5, 2015**

(54) **OAR CARRIER**

(71) Applicants: **Timothy M. Reed**, Gansevoort, NY
(US); **Timothy S. Reed**, Gansevoort, NY
(US)

(72) Inventors: **Timothy M. Reed**, Gansevoort, NY
(US); **Timothy S. Reed**, Gansevoort, NY
(US)

(**) Term: **14 Years**

(21) Appl. No.: **29/452,509**

(22) Filed: **Apr. 17, 2013**

(51) **LOC (10) Cl.** **12-05**

(52) **U.S. Cl.**
USPC **D34/28**

(58) **Field of Classification Search**
USPC D34/28; 114/343, 364; 224/917, 913,
224/42.4, 42.38, 42.14, 42.15, 310;
248/68.1, 73, 316.8, 907; 211/60.1,
211/70.8, 182

See application file for complete search history.

(56) **References Cited**

U.S. PATENT DOCUMENTS

4,777,900	A	10/1988	Abeene et al.	
4,863,082	A	9/1989	Evans et al.	
5,005,509	A	4/1991	Williams	
D441,653	S *	5/2001	LeRoux	D9/434
D643,991	S *	8/2011	Miller et al.	D34/28
D659,723	S *	5/2012	Hoover	D15/78
D702,550	S *	4/2014	Rendo	D9/434
2001/0048053	A1 *	12/2001	Donoho	248/68.1
2010/0116946	A1 *	5/2010	Ginsberg	248/68.1

2011/0290952 A1* 12/2011 Masters et al. 248/68.1
2014/0312191 A1* 10/2014 Reed et al. 248/316.8
2014/0332639 A1* 11/2014 Ahlem et al. 248/68.1

* cited by examiner

Primary Examiner — Cynthia Ramirez

(74) *Attorney, Agent, or Firm* — Tech Valley Patent, LLC;
John Pietrangelo

(57) **CLAIM**

The ornamental design for an oar carrier, as shown and described.

DESCRIPTION

This application is related to co-pending U.S. patent application Ser. No. 14/253,498, filed on Apr. 15, 2014, the disclosures of which are included by reference herein in their entirety.

FIG. 1 is a front perspective view of an oar carrier showing our new design;

FIG. 2 is a front elevation view thereof, the rear elevation view being a mirror image thereof;

FIG. 3 is a left side elevation view thereof;

FIG. 4 is a right side elevation view thereof;

FIG. 5 is a top view thereof;

FIG. 6 is a bottom view thereof; and,

FIG. 7 is a front perspective view of the new design in a typical environment, the rear perspective view being a mirror image thereof.

The broken lines shown in the figures are included for the purposes of illustrating environment and form no part of the claimed design.

1 Claim, 5 Drawing Sheets

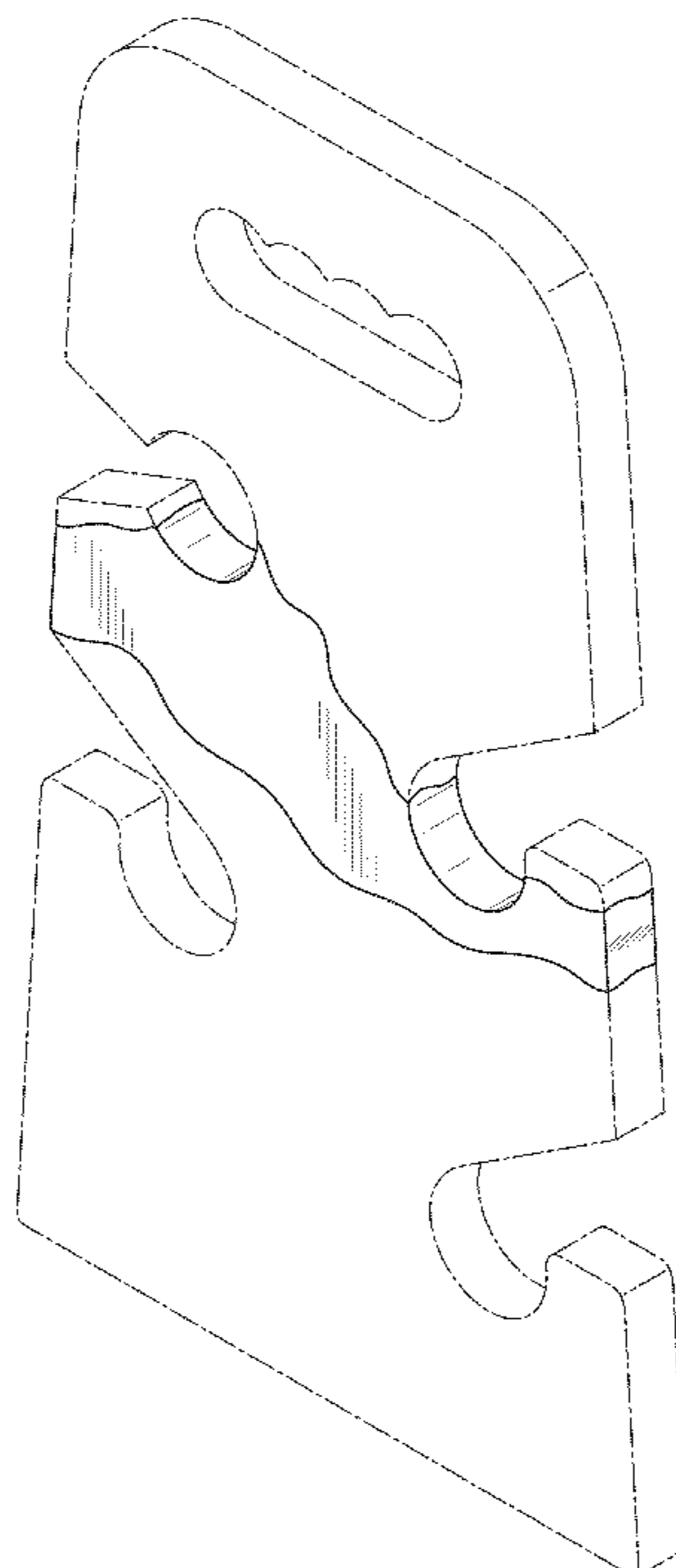


FIG. 1

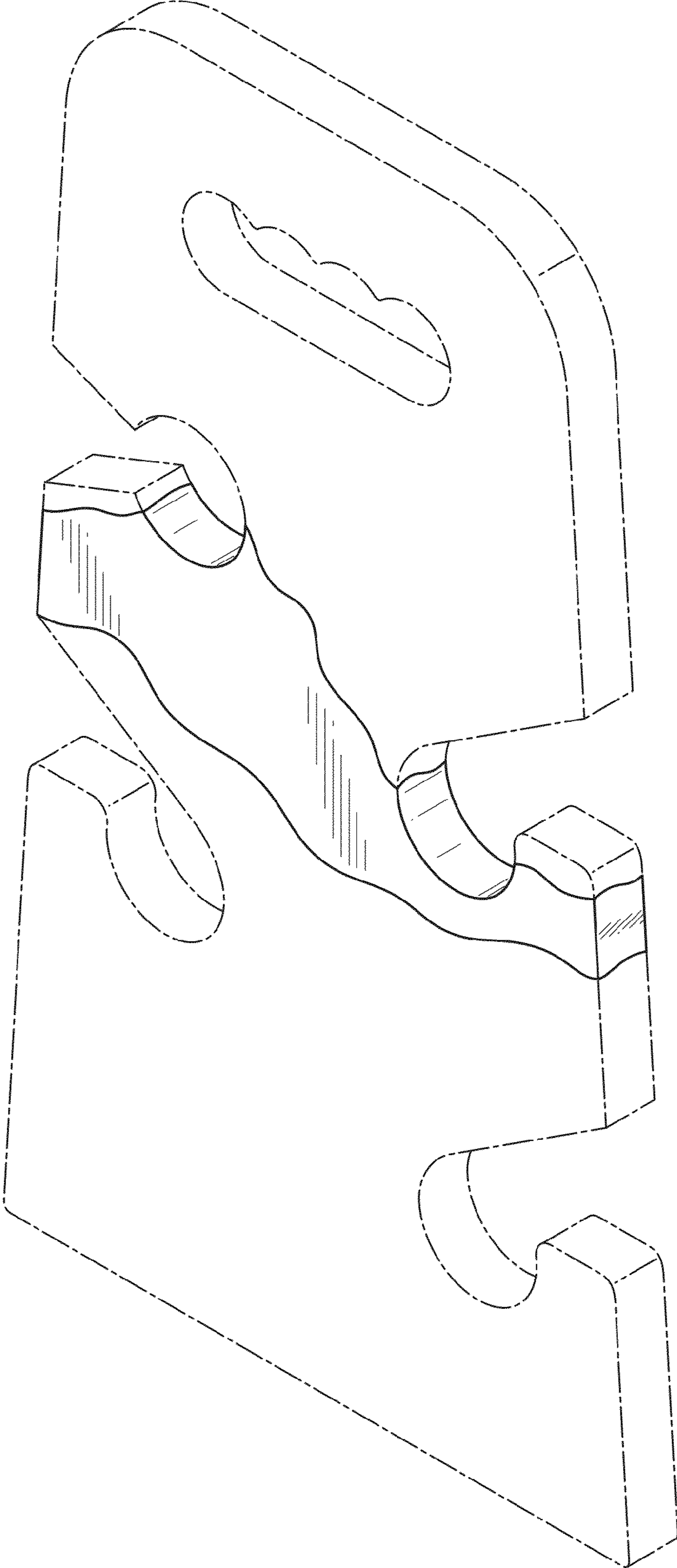


FIG. 2

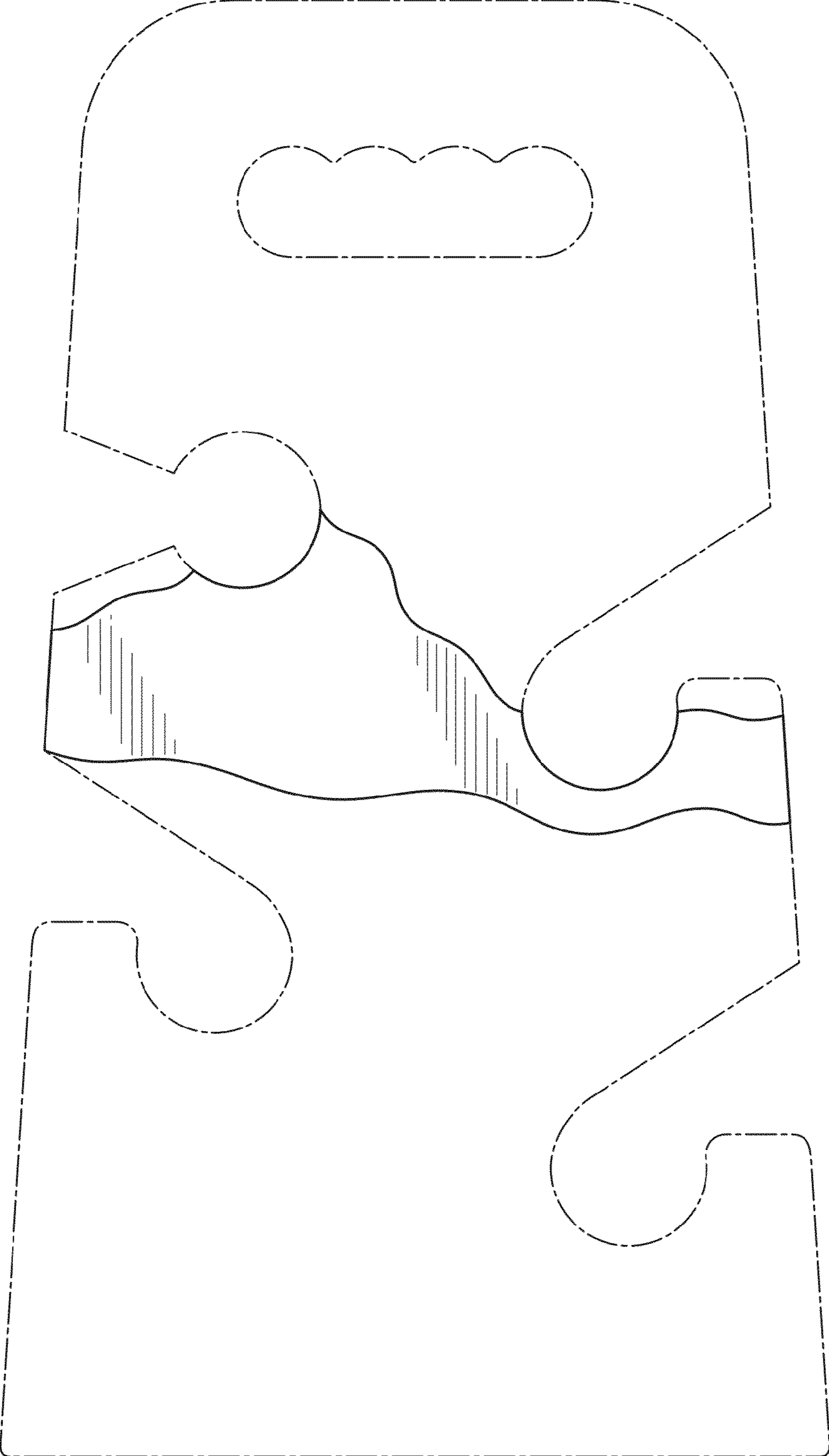


FIG. 3

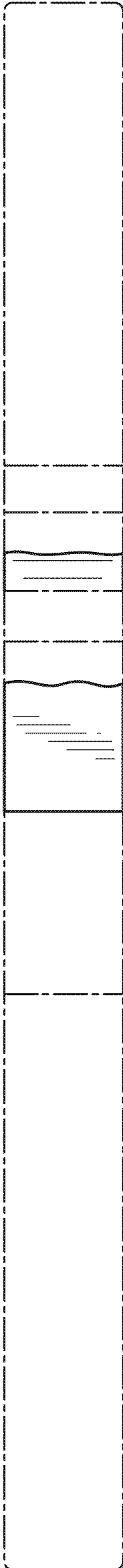


FIG. 4

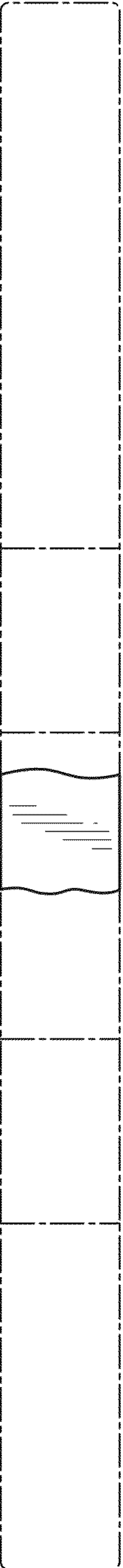


FIG. 5



FIG. 6



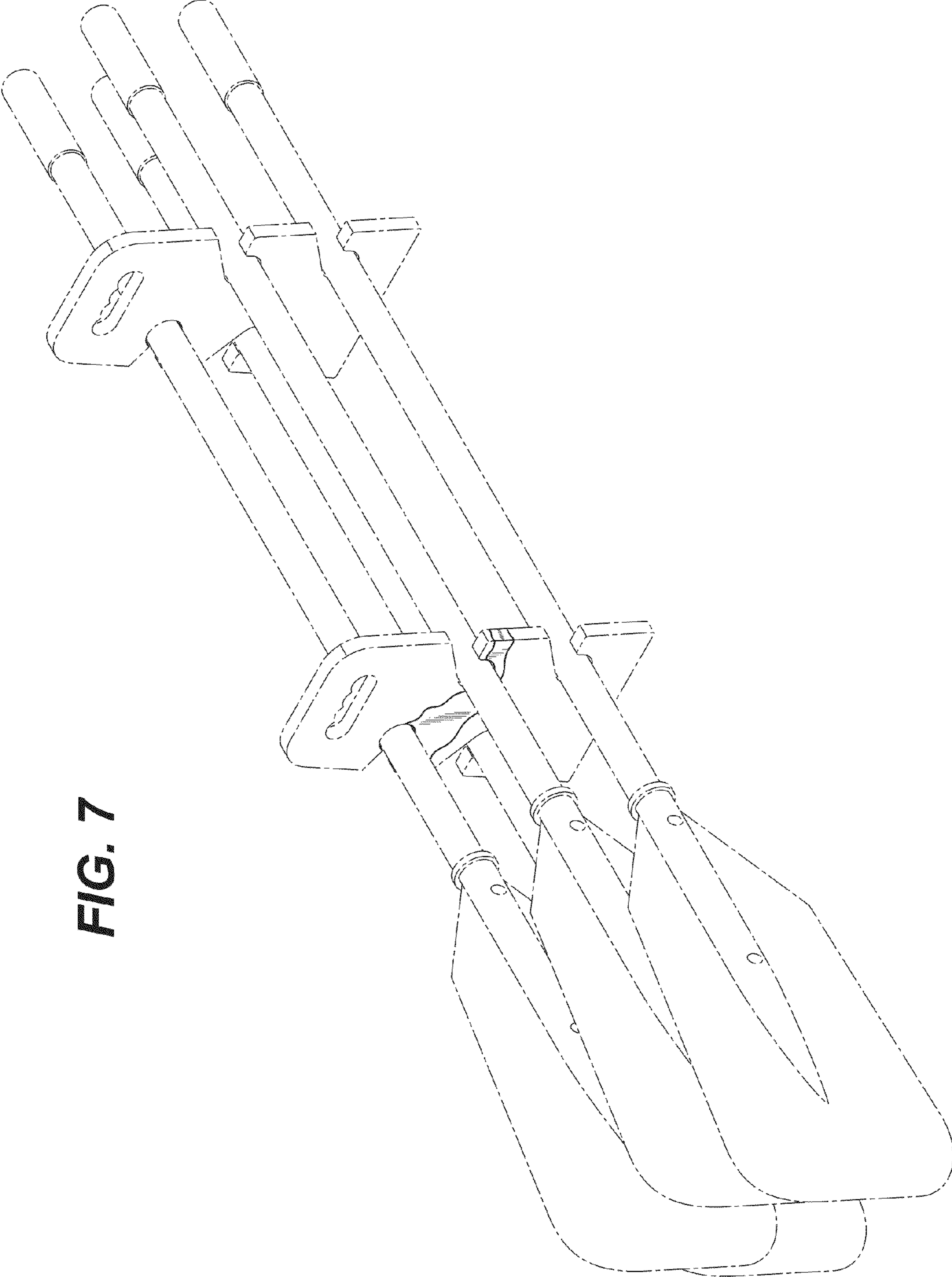


FIG. 7