



US00D728889S

(12) **United States Design Patent**  
**Morin et al.**

(10) **Patent No.:** **US D728,889 S**

(45) **Date of Patent:** **\*\* May 5, 2015**

(54) **SHOPPING CART BUMPER**

(71) Applicant: **Technibilt, Ltd.**, Newton, NC (US)

(72) Inventors: **Francois Morin**, Montreal (CA);  
**Gennaro Rosato**, Montreal (CA); **Will Kiser**, Lincolnton, NC (US)

(73) Assignee: **Technibilt, Ltd.**, Newton, NC (US)

(\*\*) Term: **14 Years**

(21) Appl. No.: **29/492,824**

(22) Filed: **Jun. 3, 2014**

(51) **LOC (10) Cl.** ..... **12-05**

(52) **U.S. Cl.**  
USPC ..... **D34/27**

(58) **Field of Classification Search**

CPC ..... B62B 3/14; B62B 3/1408; B62B 3/1472;  
D62B 5/06; D62B 5/069

USPC ..... D34/12-27; 280/33.991, 33.992,  
280/33.993, 33.994, 33.995, 33.997

See application file for complete search history.

(56) **References Cited**

U.S. PATENT DOCUMENTS

4,600,204	A *	7/1986	Badger	.....	280/33.992
4,883,281	A	11/1989	Waterman		
4,999,233	A *	3/1991	Probst et al.	.....	428/122
5,131,669	A	7/1992	Kinnamon		
D333,900	S	3/1993	Kinnamon		
7,121,562	B2	10/2006	O'Quin		
7,281,719	B2	10/2007	O'Quin		
D636,963	S *	4/2011	Walter	.....	D34/27
2006/0087091	A1 *	4/2006	O'Quin et al.	.....	280/33.992

\* cited by examiner

*Primary Examiner* — Cynthia Ramirez

(74) *Attorney, Agent, or Firm* — The Van Winkle Law Firm;  
David M. Carter

(57) **CLAIM**

The ornamental design for a shopping cart bumper, as shown and described.

**DESCRIPTION**

FIG. 1 is a front perspective view of a shopping cart bumper showing our new design.

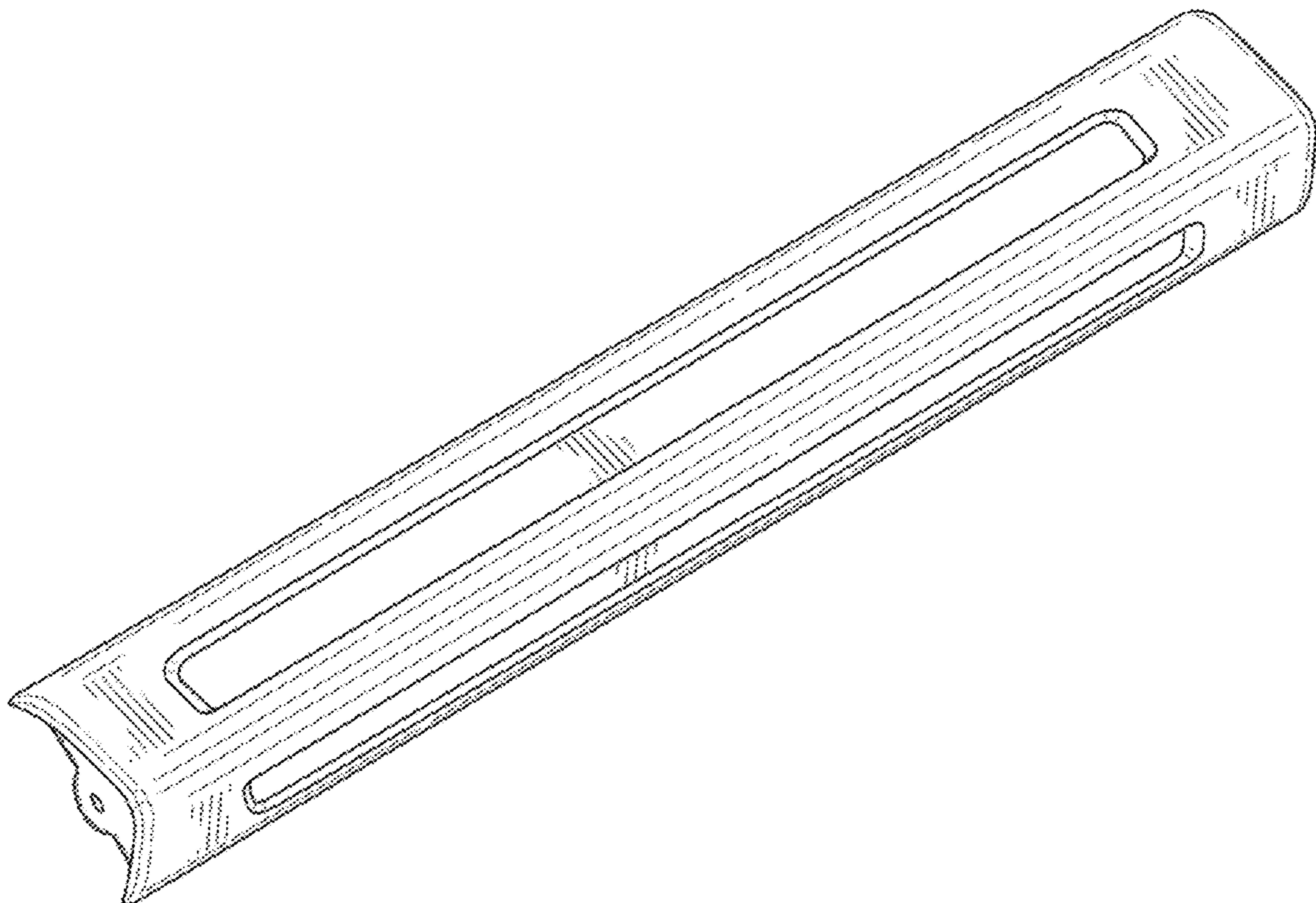
FIG. 2 is a front elevational view thereof.

FIG. 3 is a rear perspective view thereof.

FIG. 4 is a rear elevational view thereof; and,

FIG. 5 is a top view thereof.

**1 Claim, 4 Drawing Sheets**



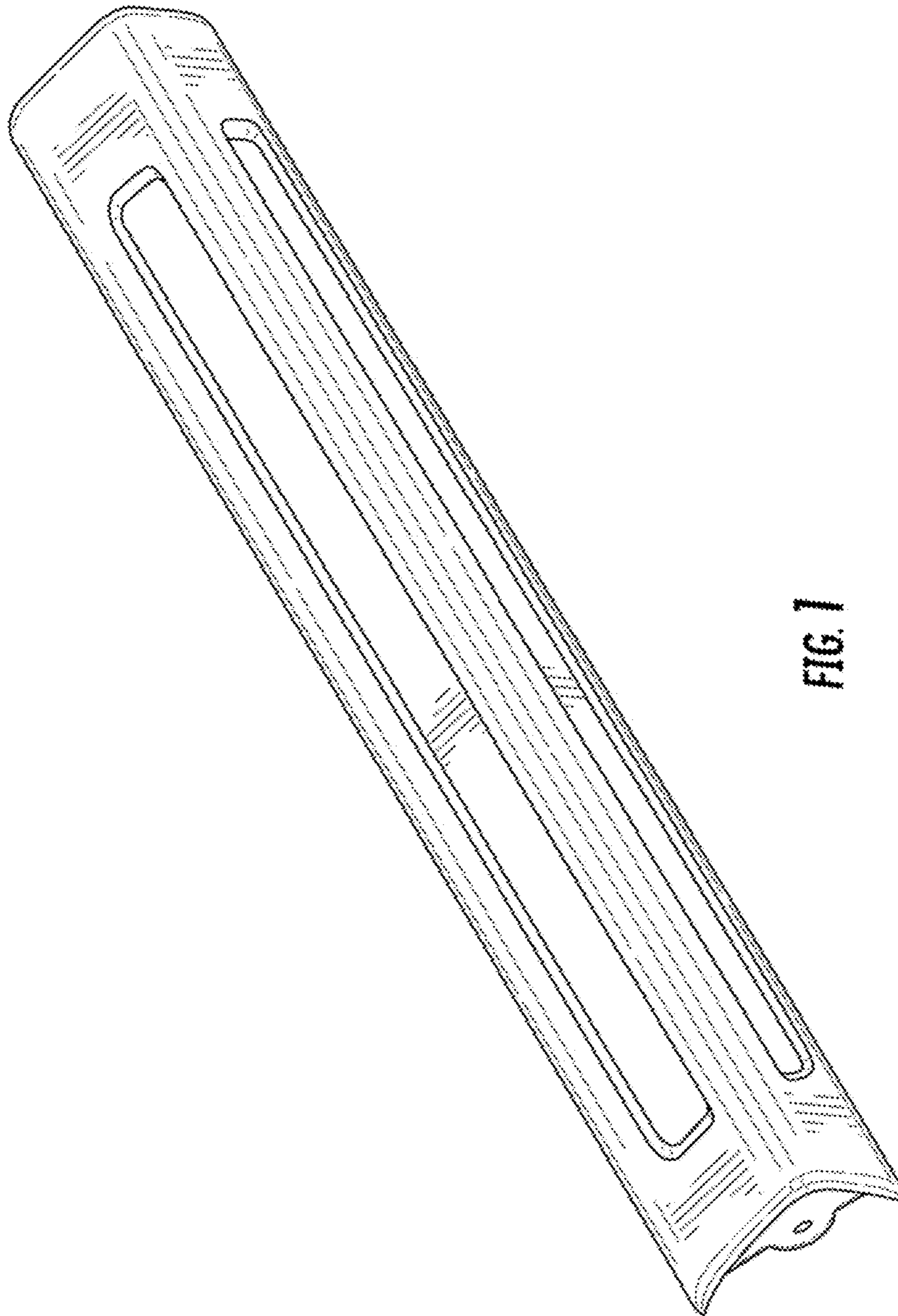


FIG. 1

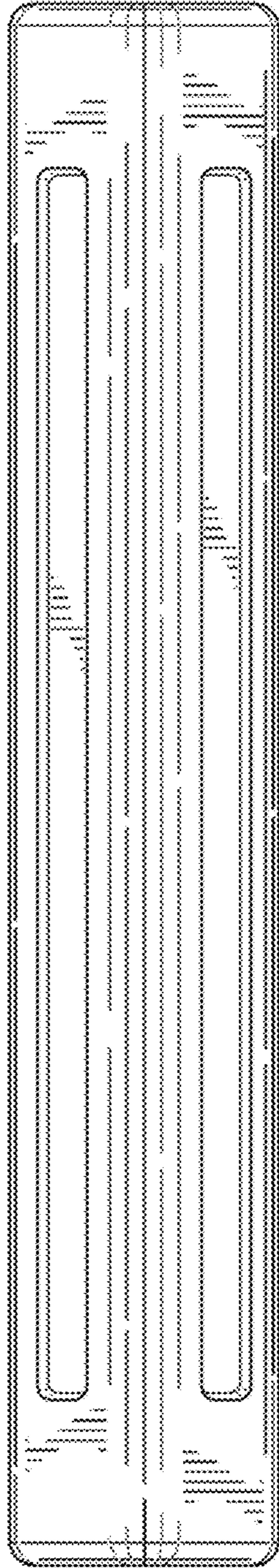


FIG. 2

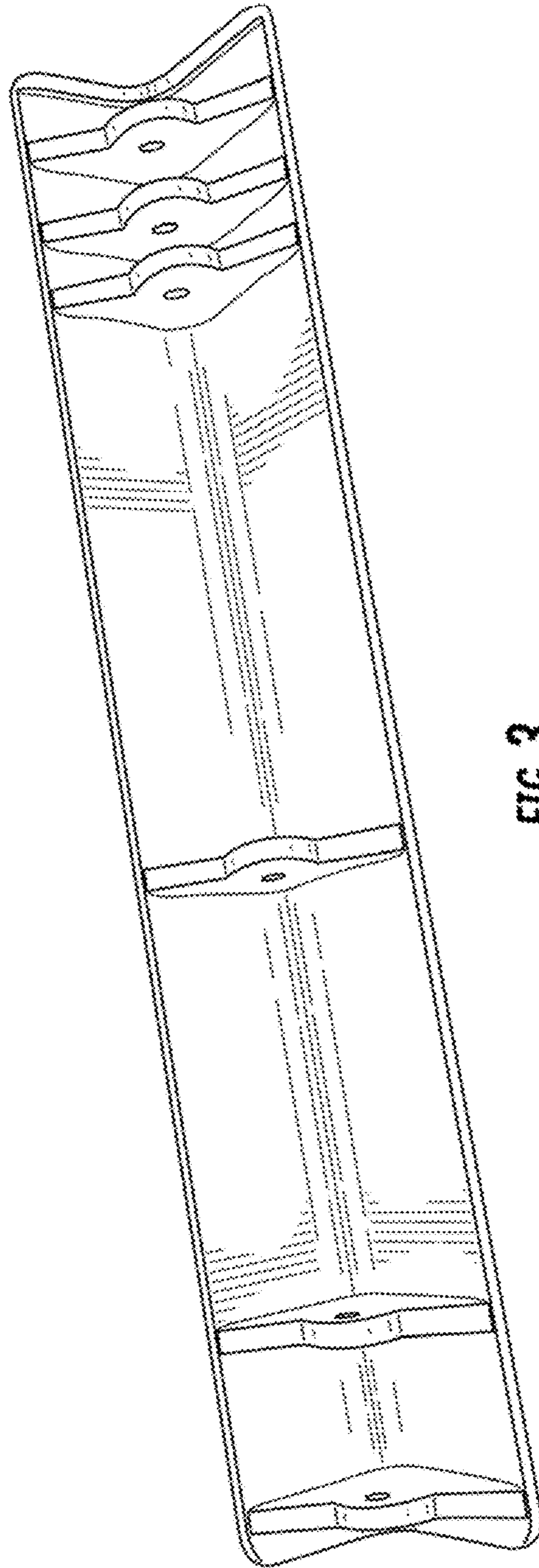


FIG. 3

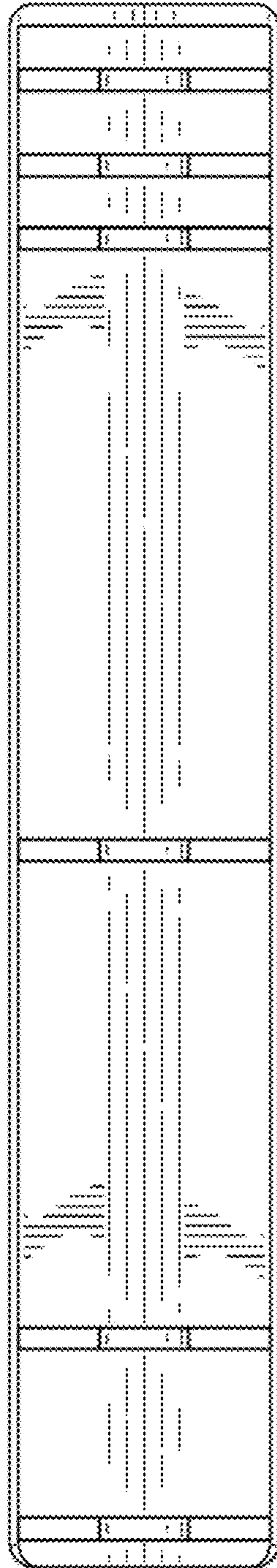


FIG. 4

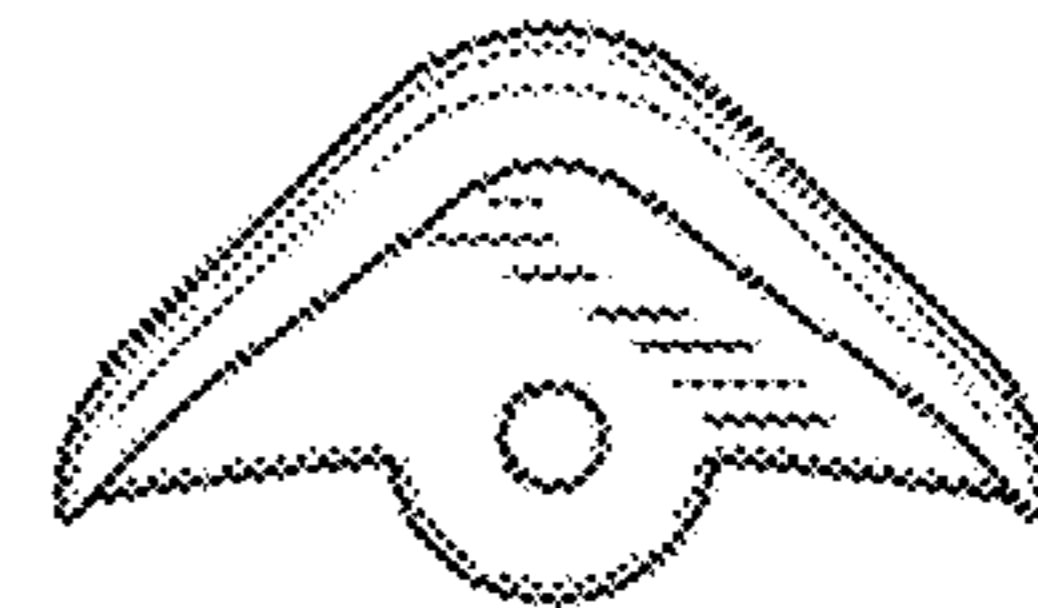


FIG. 5