



US00D728887S

(12) **United States Design Patent**
Kernen et al.

(10) **Patent No.:** **US D728,887 S**
(45) **Date of Patent:** **** May 5, 2015**

- (54) **RECYCLING STRUCTURE**
- (71) Applicant: **Rubicon Carts LLC**, Rubicon, WI (US)
- (72) Inventors: **Thomas C. Kernen**, New Berlin, WI (US); **Gina Kernen**, New Berlin, WI (US)
- (73) Assignee: **Rubicon Carts LLC**, Rubicon, WI (US)
- (**) Term: **14 Years**

4,042,111	A *	8/1977	Smith	206/508
4,316,540	A *	2/1982	Lapham	206/507
4,375,265	A	3/1983	van de Wetering et al.		
4,416,374	A *	11/1983	Smith et al.	206/507
D286,937	S *	11/1986	Schafer	D3/272
4,726,616	A	2/1988	Schmidt		
4,848,580	A *	7/1989	Wise	206/519
4,932,557	A *	6/1990	Yeo	220/23.83
5,031,776	A	7/1991	Morgan, IV		
5,046,636	A *	9/1991	Coskery	220/571
5,105,947	A *	4/1992	Wise	206/519

(Continued)

- (21) Appl. No.: **29/478,118**
- (22) Filed: **Dec. 31, 2013**

FOREIGN PATENT DOCUMENTS

EP	0 583 810	A1	7/1993
WO	WO 93/22202		11/1993

Related U.S. Application Data

- (63) Continuation of application No. 13/176,384, filed on Jul. 5, 2011, now abandoned.
- (51) **LOC (10) Cl.** **09-09**
- (52) **U.S. Cl.**
USPC **D34/1**
- (58) **Field of Classification Search**
CPC .. B65D 21/0209; B65D 43/02; B65D 88/121;
B65D 88/14; B65D 88/12; B65D 88/128;
B65D 90/008
USPC D34/1-11; D9/424; D3/273, 304, 307;
220/527, 518, 751, 1.5, 519, 350, 508,
220/668, 660, 676, 909, 23.86; 206/511,
206/508, 509, 519, 596
See application file for complete search history.

OTHER PUBLICATIONS

USPTO Office Action dated Oct. 2, 2017 regarding U.S. Appl. No. 13/176,384, 9 pages.

(Continued)

Primary Examiner — Cynthia Ramirez

(74) *Attorney, Agent, or Firm* — Ryan Kromholz & Manion, S.C.

(57)

CLAIM

The ornamental design for a recycling structure, as shown and described.

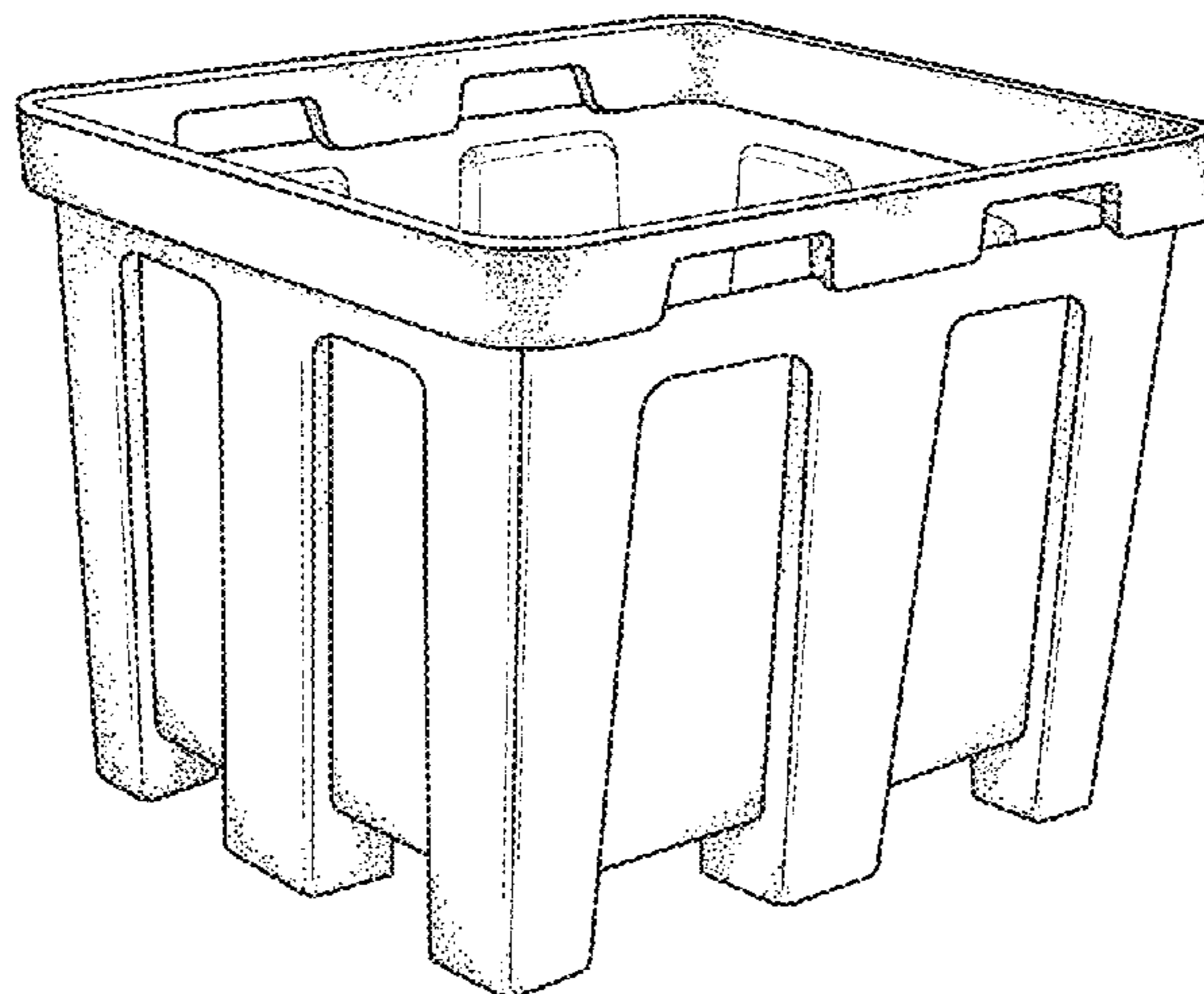
DESCRIPTION

FIG. 1 is a perspective view of a recycling structure showing our new design;
 FIG. 2 is a top plan view thereof;
 FIG. 3 is a bottom plan view thereof;
 FIG. 4 is a front elevation view, the rear elevation being identical; and,
 FIG. 5 is a right side elevation view, the left side elevation view being identical.

1 Claim, 2 Drawing Sheets

- (56) **References Cited**
U.S. PATENT DOCUMENTS

3,005,572	A *	10/1961	Gustafson et al.	220/671
3,303,965	A *	2/1967	Parker et al.	206/511
3,419,184	A *	12/1968	Asenbauer	206/508
3,447,715	A *	6/1969	Beney	206/507
3,623,631	A *	11/1971	Ford	220/628
3,680,735	A *	8/1972	Lucas	206/511
3,759,416	A *	9/1973	Constantine	206/505



(56)

References Cited

U.S. PATENT DOCUMENTS

D326,345 S * 5/1992 Mandell et al. D3/312
 5,111,938 A * 5/1992 Soprano et al. 206/386
 D339,436 S * 9/1993 Craft et al. D32/53
 5,373,958 A 12/1994 Bokmiller
 5,445,397 A 8/1995 Evans
 5,558,254 A 9/1996 Anderson et al.
 D382,112 S * 8/1997 Egan D3/273
 5,683,030 A 11/1997 Moore et al.
 5,718,350 A * 2/1998 Williams 220/326
 5,722,555 A 3/1998 Polzl
 D398,151 S * 9/1998 Ahern, Jr. D3/304
 6,253,948 B1 * 7/2001 Ficker 220/350
 D446,017 S * 8/2001 Koefeld D3/307
 6,318,586 B1 * 11/2001 Frankenberg 220/826
 D460,619 S * 7/2002 Koefeld D3/304
 6,454,112 B1 * 9/2002 Walters et al. 220/1.5
 6,874,650 B2 * 4/2005 Welsh et al. 220/519
 D539,998 S * 4/2007 Andrade D34/3

D554,320 S * 10/2007 Williams D34/1
 D610,448 S * 2/2010 Drozek et al. D9/424
 7,784,615 B2 * 8/2010 Stahl 206/511
 D654,690 S * 2/2012 Sofy et al. D3/309
 8,141,742 B2 * 3/2012 Wolf 220/751
 D666,829 S * 9/2012 Liao D3/304
 D666,904 S * 9/2012 Snedden et al. D9/424
 8,596,459 B2 * 12/2013 Huizingh et al. 206/600
 2007/0020362 A1 1/2007 D'Amelio et al.
 2009/0001088 A1 * 1/2009 Lamendola et al. 220/606
 2011/0062161 A1 * 3/2011 Hassell et al. 220/495.11
 2012/0181214 A1 * 7/2012 Kernan et al. 206/596
 2012/0223078 A1 * 9/2012 Chitayat et al. 220/476

OTHER PUBLICATIONS

USPTO Office Action dated May 14, 2013 regarding U.S. Appl. No. 13/176,384, 8 pages.
 USPTO Office Action dated Jan. 15, 2014 regarding U.S. Appl. No. 13/176,384, 10 pages.

* cited by examiner

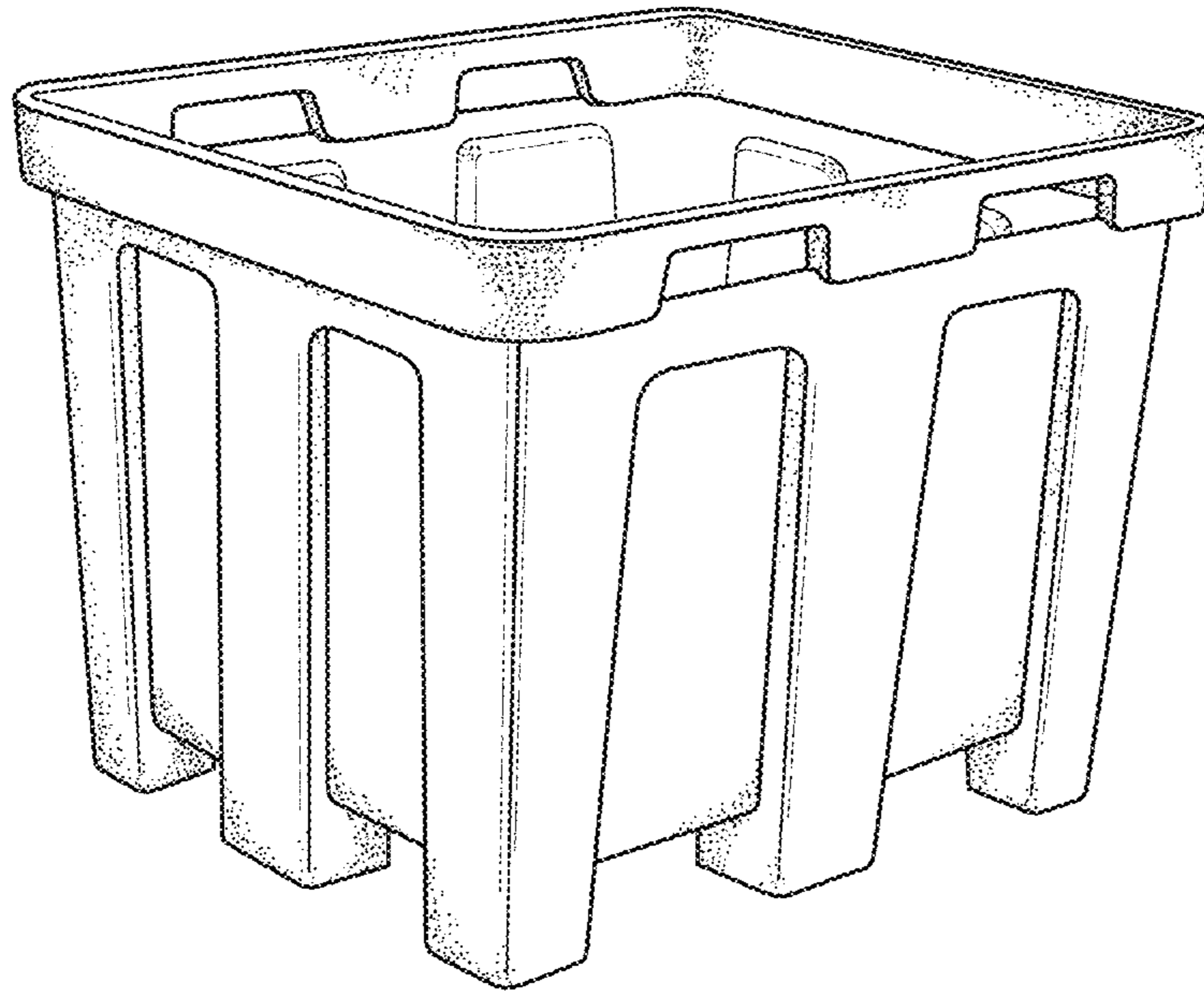


Fig. 1

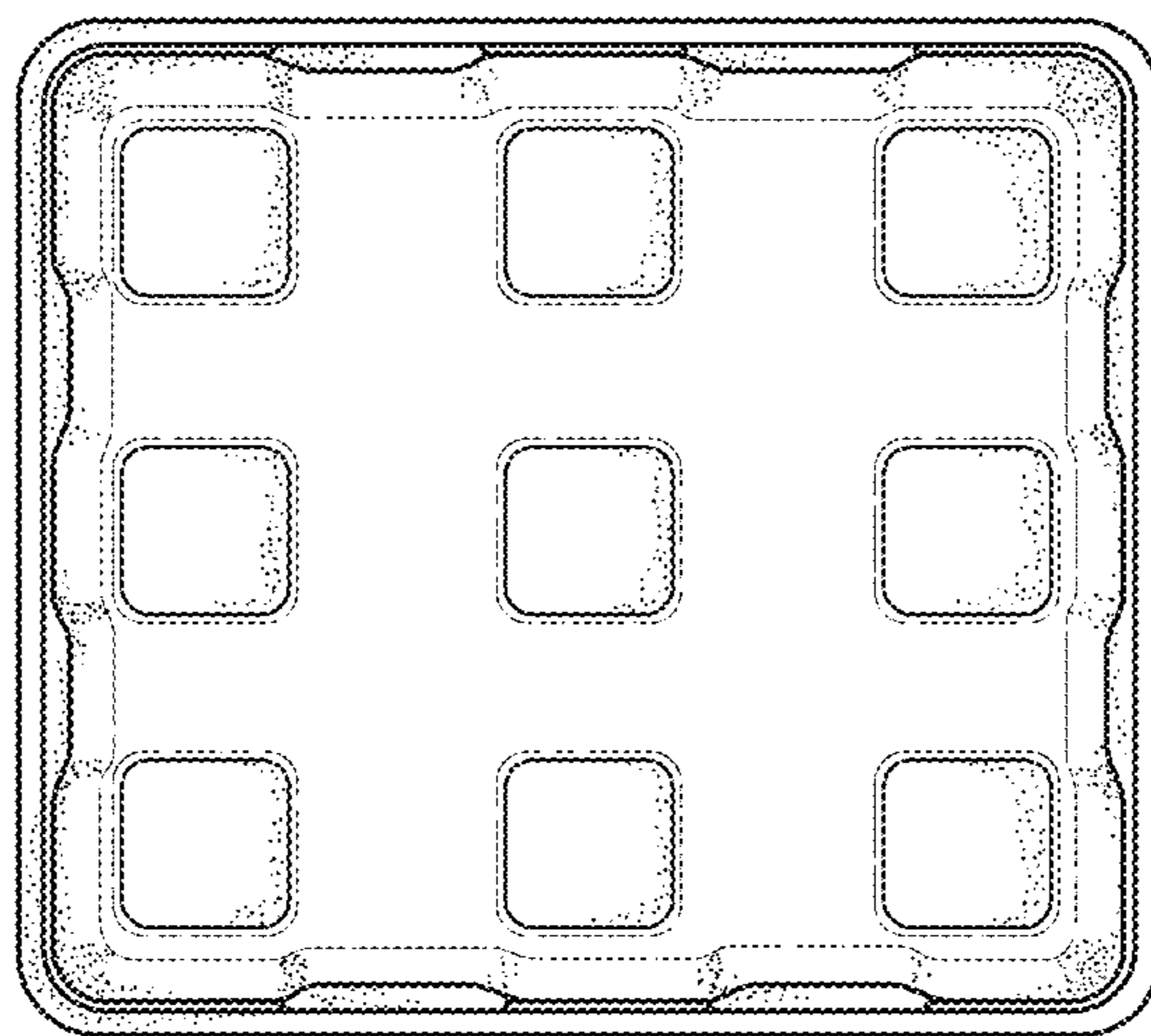


Fig. 2

Fig. 3

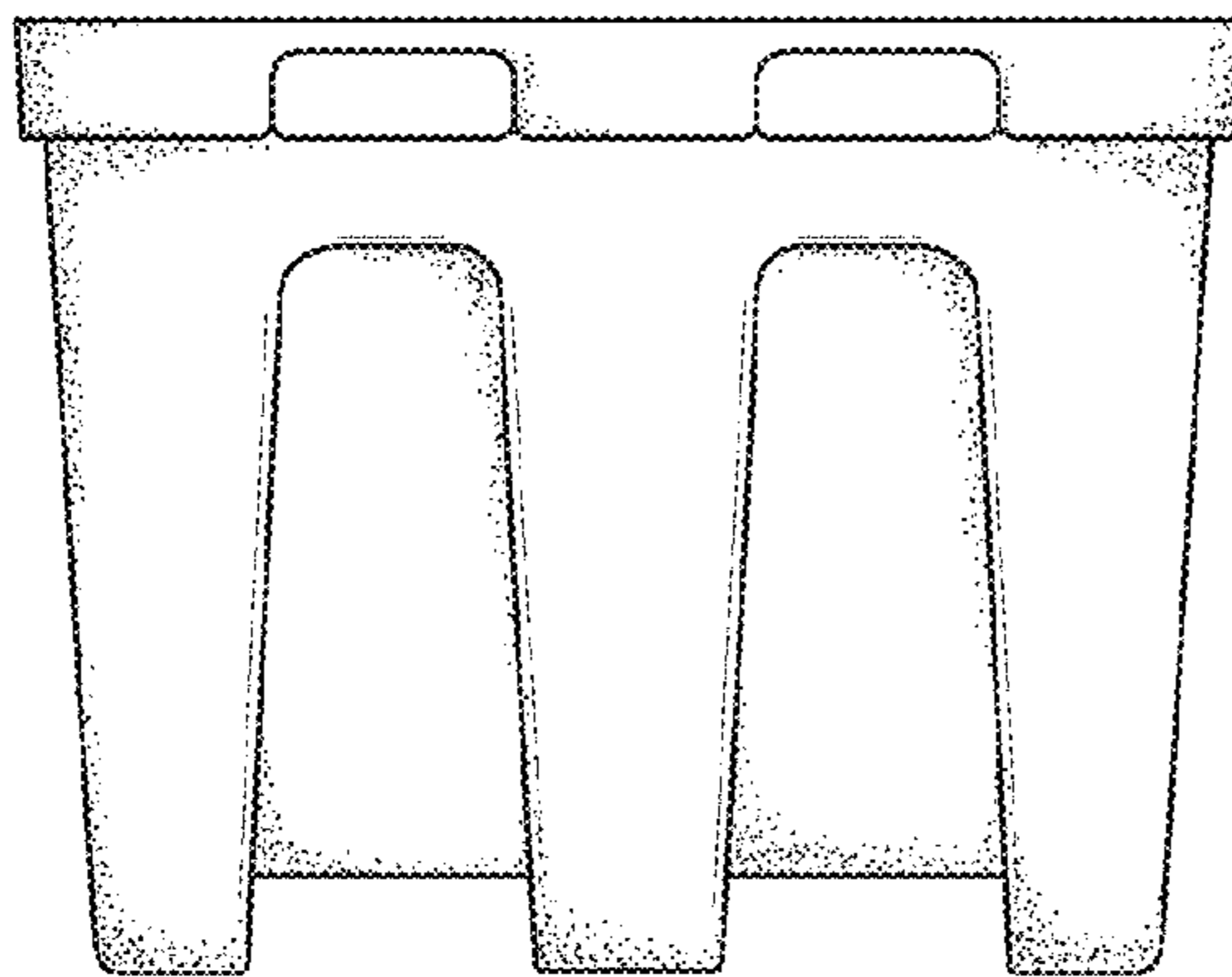
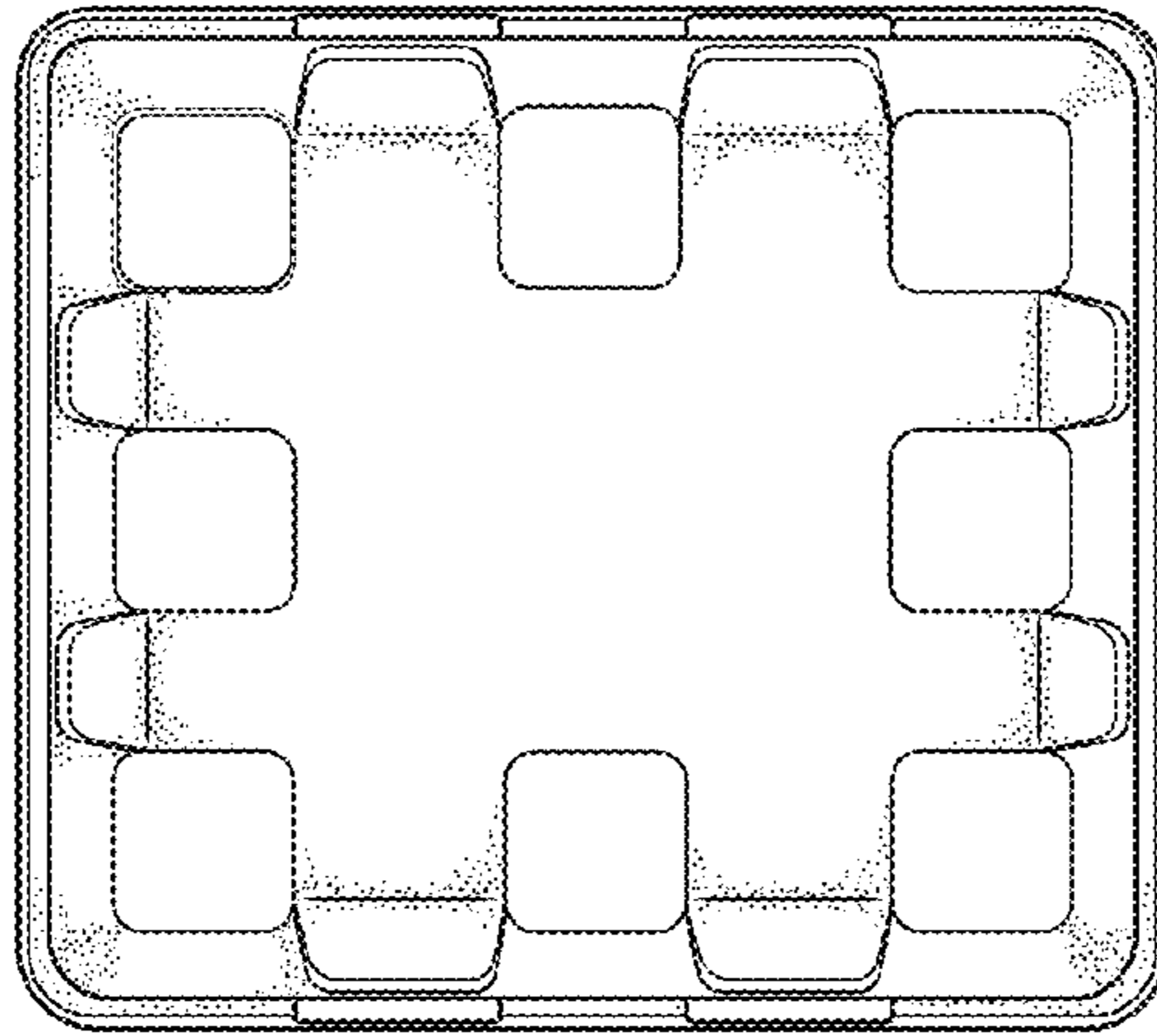


Fig. 4

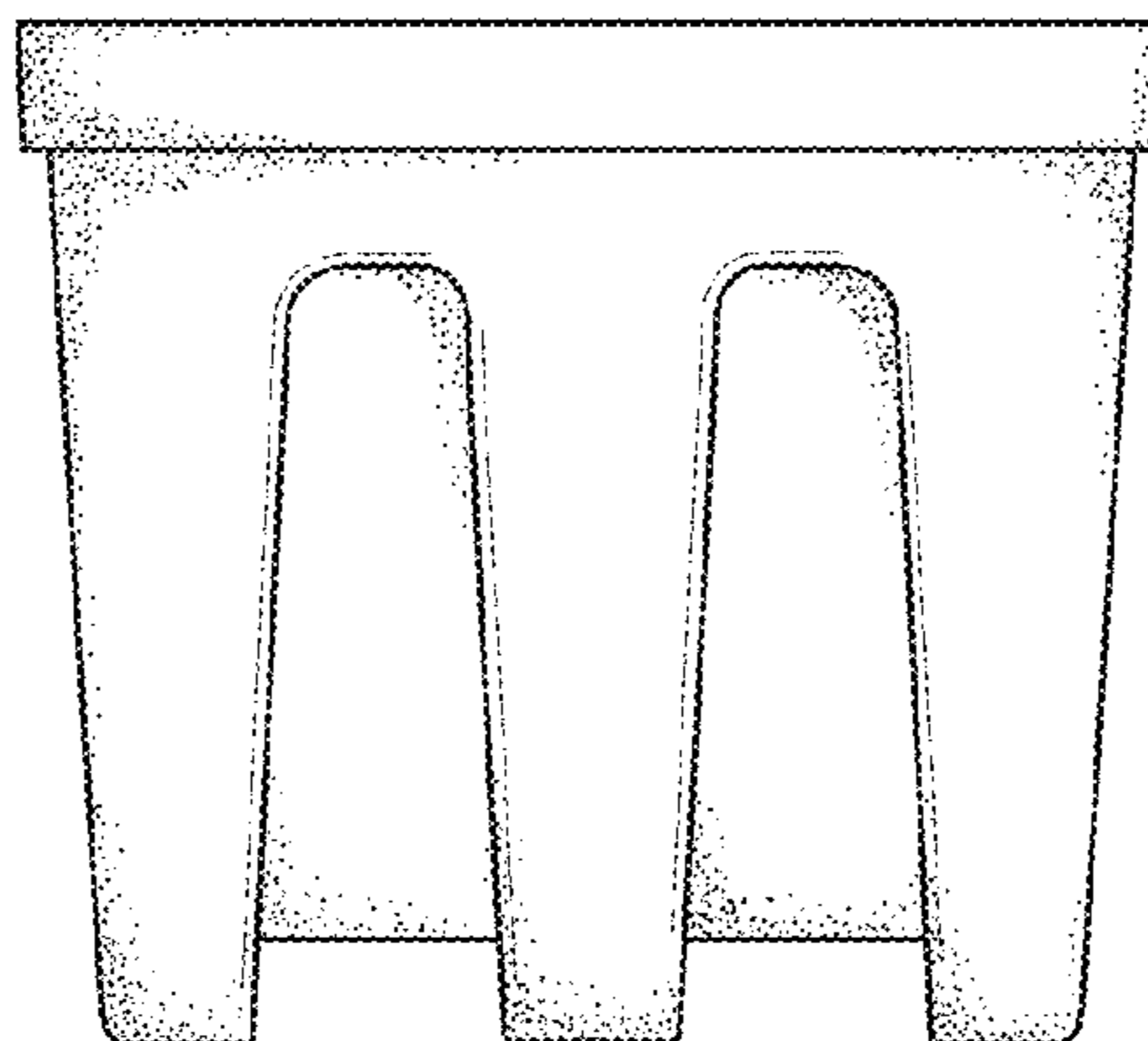


Fig. 5