



US00D728886S

(12) **United States Design Patent**  
**Whitney**

(10) **Patent No.:** **US D728,886 S**  
(45) **Date of Patent:** **\*\* May 5, 2015**

- (54) **IRON FILL BASIN**
- (71) Applicant: **Hamilton Beach Brands, Inc.**, Glen Allen, VA (US)
- (72) Inventor: **Linda Whitney**, Fredericksburg, VA (US)
- (73) Assignee: **Hamilton Beach Brands, Inc.**, Glen Allen, VA (US)
- (\*\*) Term: **14 Years**
- (21) Appl. No.: **29/506,583**
- (22) Filed: **Oct. 17, 2014**

6,243,976	B1	6/2001	Beverly et al.
6,389,717	B2	5/2002	Maier et al.
D464,779	S	10/2002	Garman
D476,453	S	6/2003	Garman
6,807,755	B2	10/2004	Bontems et al.
D550,915	S	9/2007	Poon
D594,166	S	6/2009	Mizoguchi
7,546,701	B2	6/2009	Alipour
7,552,552	B1	6/2009	Garman et al.
D610,764	S	2/2010	Massip et al.
D610,765	S	2/2010	Massip et al.
D624,266	S	9/2010	Massip et al.
D629,989	S	12/2010	Hollerich et al.
D629,991	S	12/2010	Day et al.
D632,863	S	2/2011	Massip et al.
D634,090	S	3/2011	Massip et al.
D642,762	S	8/2011	Agren et al.
D656,285	S	3/2012	Massip et al.
D659,929	S *	5/2012	Yan ..... D32/70
D663,088	S	7/2012	Choi et al.
D676,210	S	2/2013	Sirard
8,539,700	B2 *	9/2013	Saba ..... 38/94
D718,512	S *	11/2014	Whitney ..... D32/70

**Related U.S. Application Data**

- (62) Division of application No. 29/481,836, filed on Feb. 11, 2014, now Pat. No. Des. 718,512.
- (51) **LOC (10) Cl.** ..... **07-05**
- (52) **U.S. Cl.**  
USPC ..... **D32/70**
- (58) **Field of Classification Search**  
CPC ..... D06F 75/08; D06F 75/30; D06F 2216/00;  
D06F 75/18; D06F 75/26  
USPC ..... D32/73, 72, 71, 70, 69, 68, 35;  
392/404; 38/97, 96, 93, 88, 77.9,  
38/77.83, 77.82, 77.81, 77.8, 77.7, 77.6,  
38/77.5, 77.3, 77.1; 219/251, 245  
See application file for complete search history.

**References Cited**

**U.S. PATENT DOCUMENTS**

4,800,661	A *	1/1989	Yamamoto et al. .... 38/93
5,408,769	A	4/1995	Patrick
5,414,945	A	5/1995	Freeman et al.
5,446,983	A	9/1995	Patrick
D428,541	S	7/2000	Bas
D430,371	S	8/2000	Brady et al.

\* cited by examiner

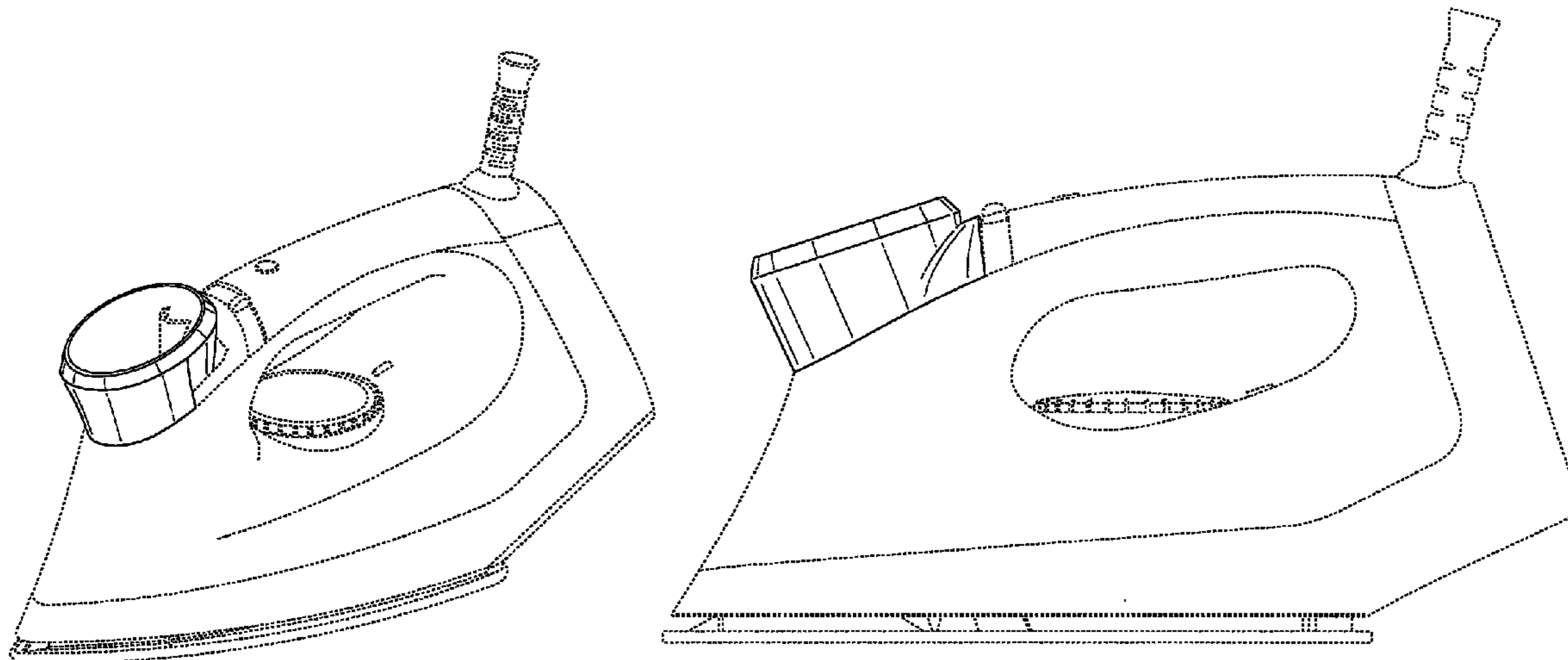
*Primary Examiner* — Austin Murphy  
(74) *Attorney, Agent, or Firm* — Alexander D. Raring

(57) **CLAIM**  
The ornamental design for an iron fill basin, as shown and described.

**DESCRIPTION**

FIG. 1 is a perspective view as seen from the top, front and left side of a fill basin for an iron showing the new design; FIG. 2 is a front view thereof; FIG. 3 is a right side view thereof; FIG. 4 is a left side view thereof; and, FIG. 5 is a top view thereof. The broken lines in the drawings are included for illustrative purposes only and form no part of the claimed design.

**1 Claim, 5 Drawing Sheets**



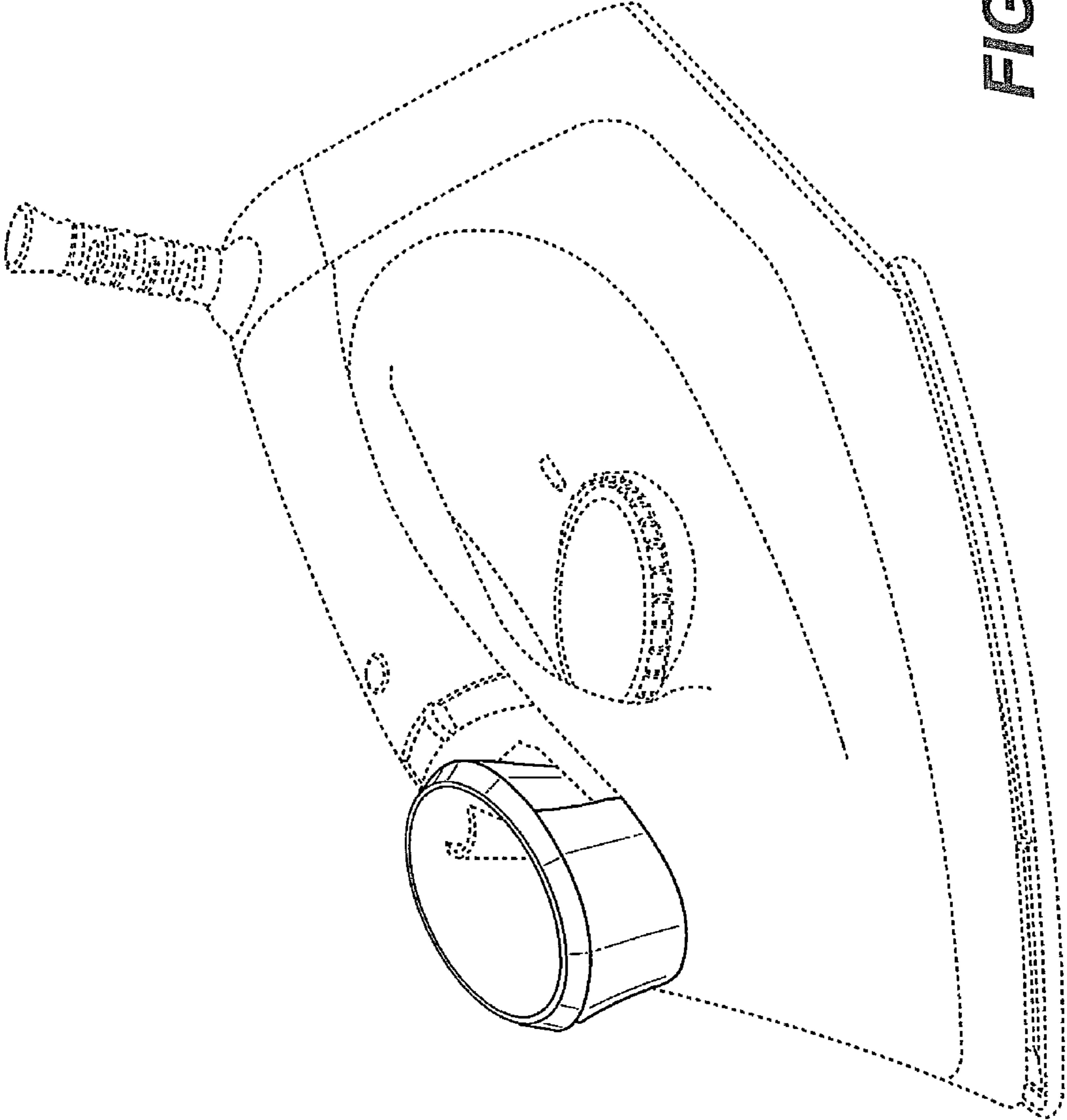
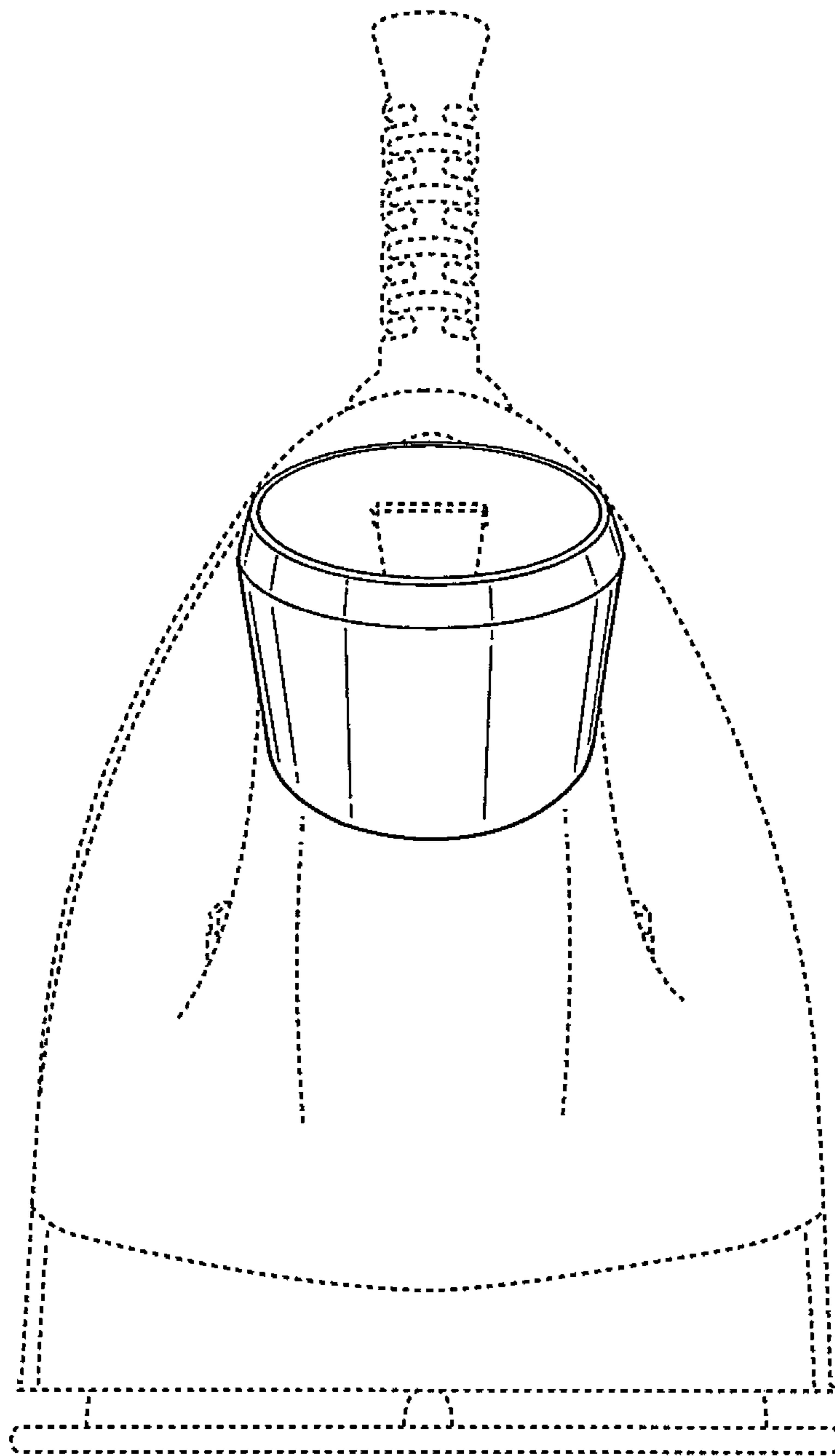


FIG. 1



**FIG. 2**

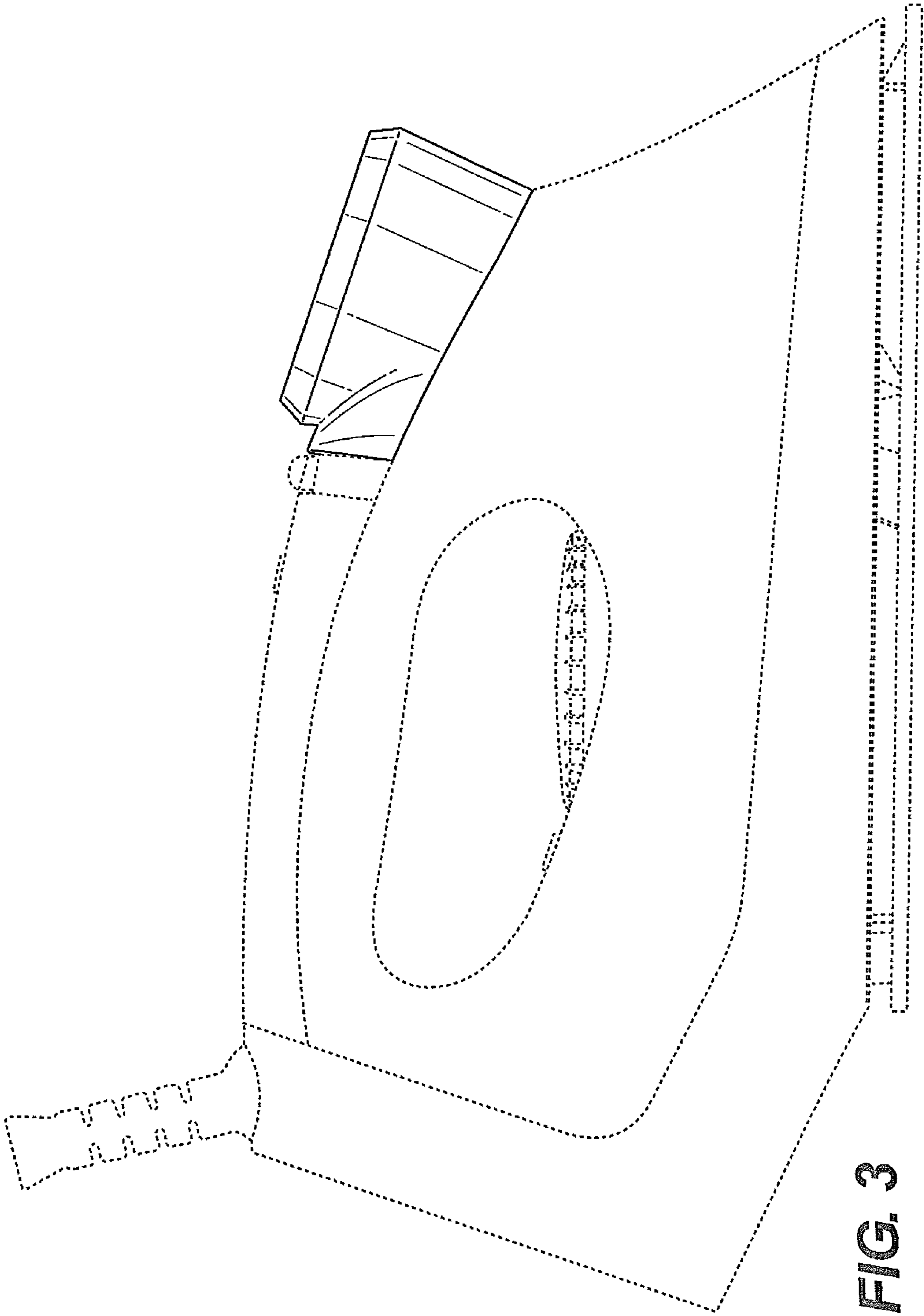


FIG. 3

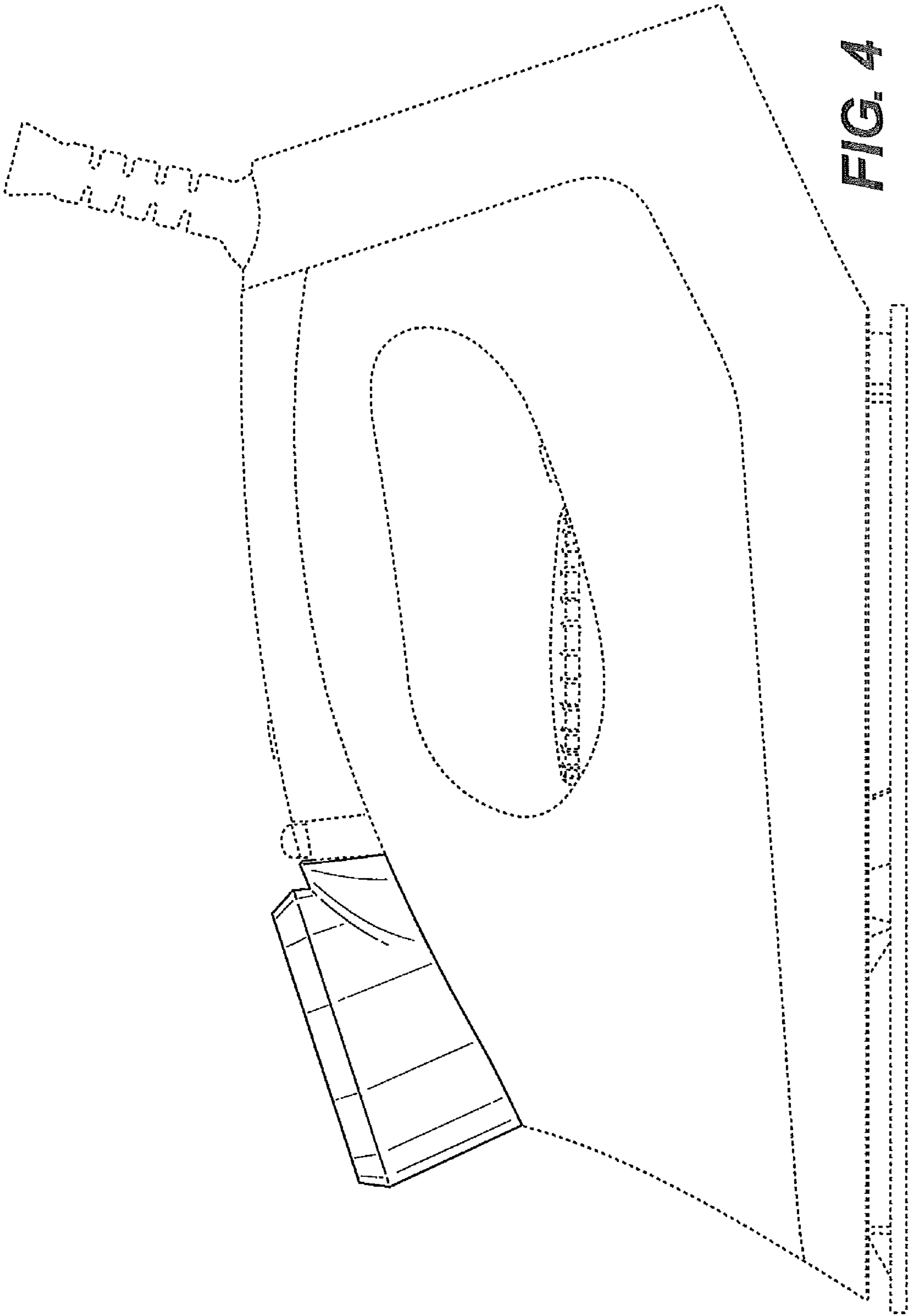
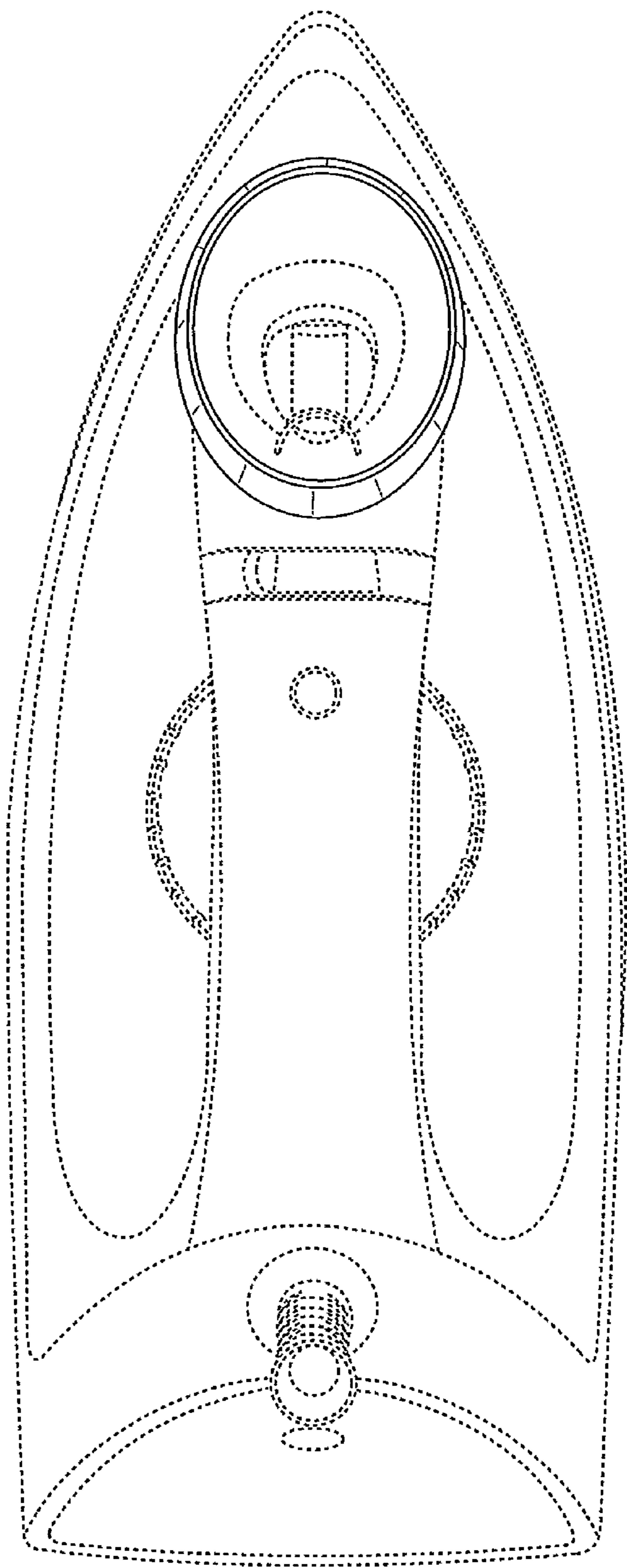


FIG. 4





**FIG. 5**