



US00D728885S

(12) **United States Design Patent**
Dierker

(10) **Patent No.:** **US D728,885 S**

(45) **Date of Patent:** **** May 5, 2015**

(54) **ADJUSTABLE IRON**

(71) Applicant: **Collar Perfect LLC**, Charlotte, NC (US)

(72) Inventor: **Brandon Dierker**, Charlotte, NC (US)

(73) Assignee: **Collar Perfect, LLC**, Charlotte, NC (US)

(**) Term: **14 Years**

(21) Appl. No.: **29/503,839**

(22) Filed: **Sep. 30, 2014**

(51) **LOC (10) Cl.** **07-05**

(52) **U.S. Cl.**
USPC **D32/70**

(58) **Field of Classification Search**

CPC D06F 75/34; D06F 75/08; D06F 75/38;
D06F 75/00; F22B 27/14; B08B 3/006

USPC D32/73, 72, 71, 70, 69, 68, 35;
392/404; 38/97, 96, 93, 88, 77.9,
38/77.83, 77.82, 77.81, 77.8, 77.7, 77.6,
38/77.5, 77.3, 77.1; 219/251, 245

See application file for complete search history.

(56) **References Cited**

U.S. PATENT DOCUMENTS

D169,296 S *	4/1953	Victor	D32/70
D247,544 S *	3/1978	Gustavsson	D32/70
D349,378 S *	8/1994	Simmon	D32/70
D360,509 S *	7/1995	Maeda et al.	D32/70
D510,584 S *	10/2005	Tierney	D14/203.6
D531,774 S *	11/2006	Grossi	D32/70
D608,350 S *	1/2010	Bo	D14/217
D646,259 S *	10/2011	Daniel	D14/155
D653,415 S *	1/2012	Zegdon	D32/70

D663,087 S *	7/2012	Grossi	D32/70
D669,894 S *	10/2012	Cobbett et al.	D14/358
D670,696 S *	11/2012	Cobbett et al.	D14/358
D696,223 S *	12/2013	Will et al.	D14/155
D710,230 S *	8/2014	Burke	D10/104.1

* cited by examiner

Primary Examiner — Austin Murphy

(74) *Attorney, Agent, or Firm* — Alston & Bird LLP

(57) **CLAIM**

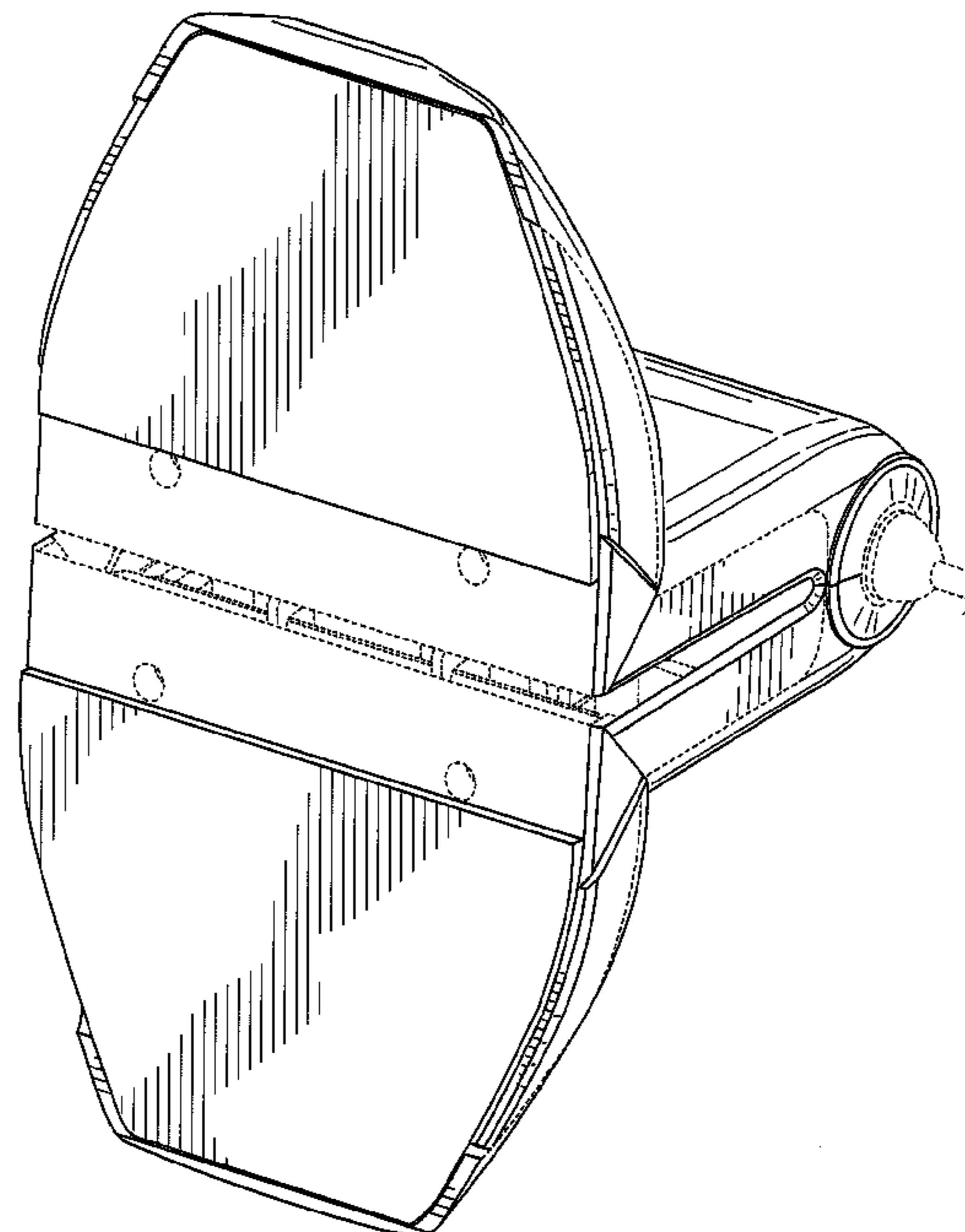
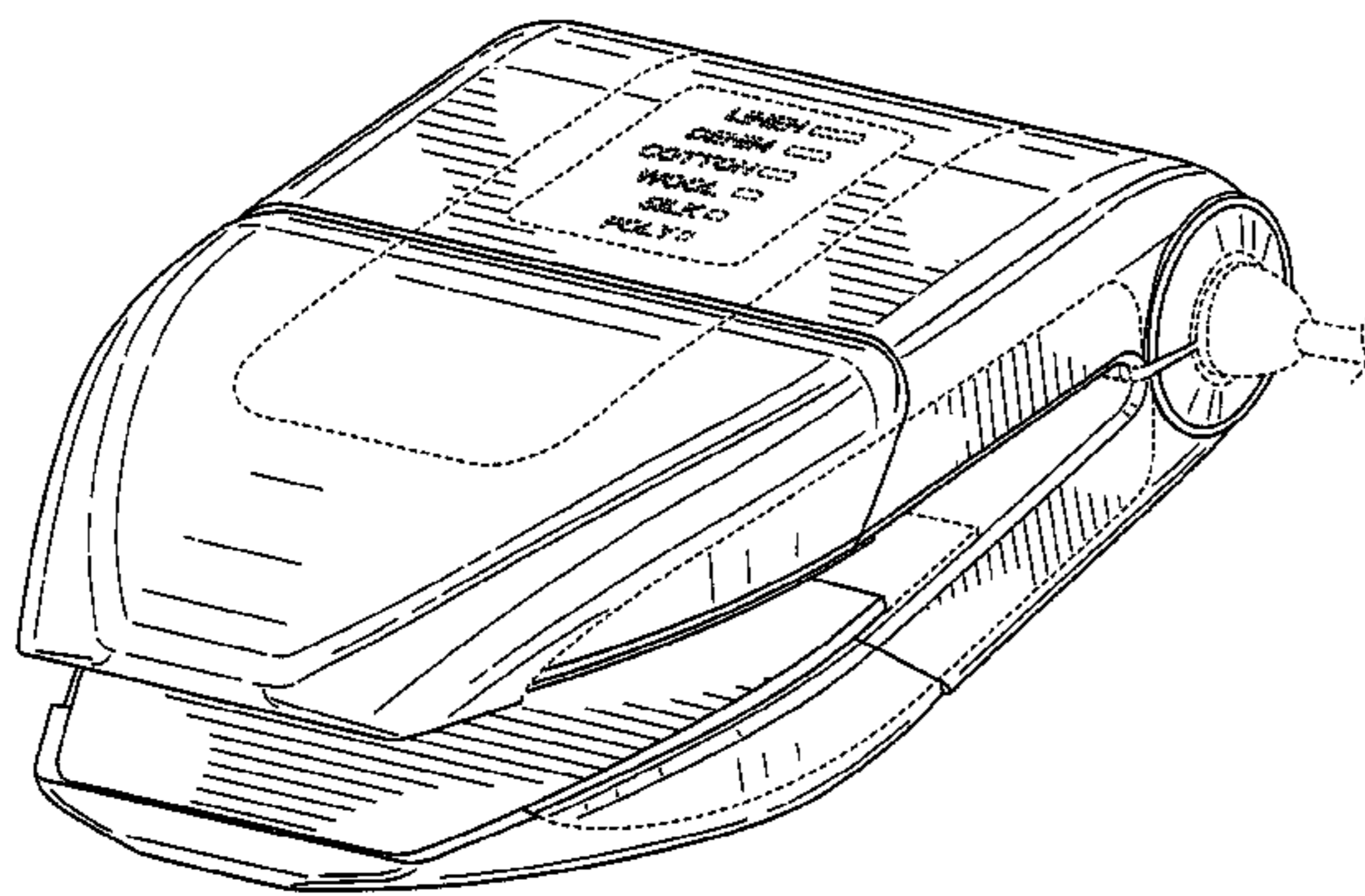
The ornamental design for an adjustable iron, as shown and described.

DESCRIPTION

FIG. 1 is a perspective view of an adjustable iron showing my new design in a closed position of use;
 FIG. 2 is a front elevation view thereof;
 FIG. 3 is a rear elevation view thereof;
 FIG. 4 is a left side elevation view thereof;
 FIG. 5 is a right side elevation view thereof;
 FIG. 6 is a top plan view thereof;
 FIG. 7 is a bottom plan view thereof;
 FIG. 8 is another perspective view thereof, shown in an open position of use;
 FIG. 9 is a front elevation view thereof;
 FIG. 10 is a rear elevation view thereof;
 FIG. 11 is a left side elevation view thereof;
 FIG. 12 is a right side elevation view thereof;
 FIG. 13 is a top plan view thereof; and,
 FIG. 14 is a bottom plan view thereof.

Broken lines shown immediately adjacent shaded areas represent bounds of the claimed design and unclaimed features. All other broken lines are directed to unclaimed features. The broken lines form no part of the claimed design.

1 Claim, 12 Drawing Sheets



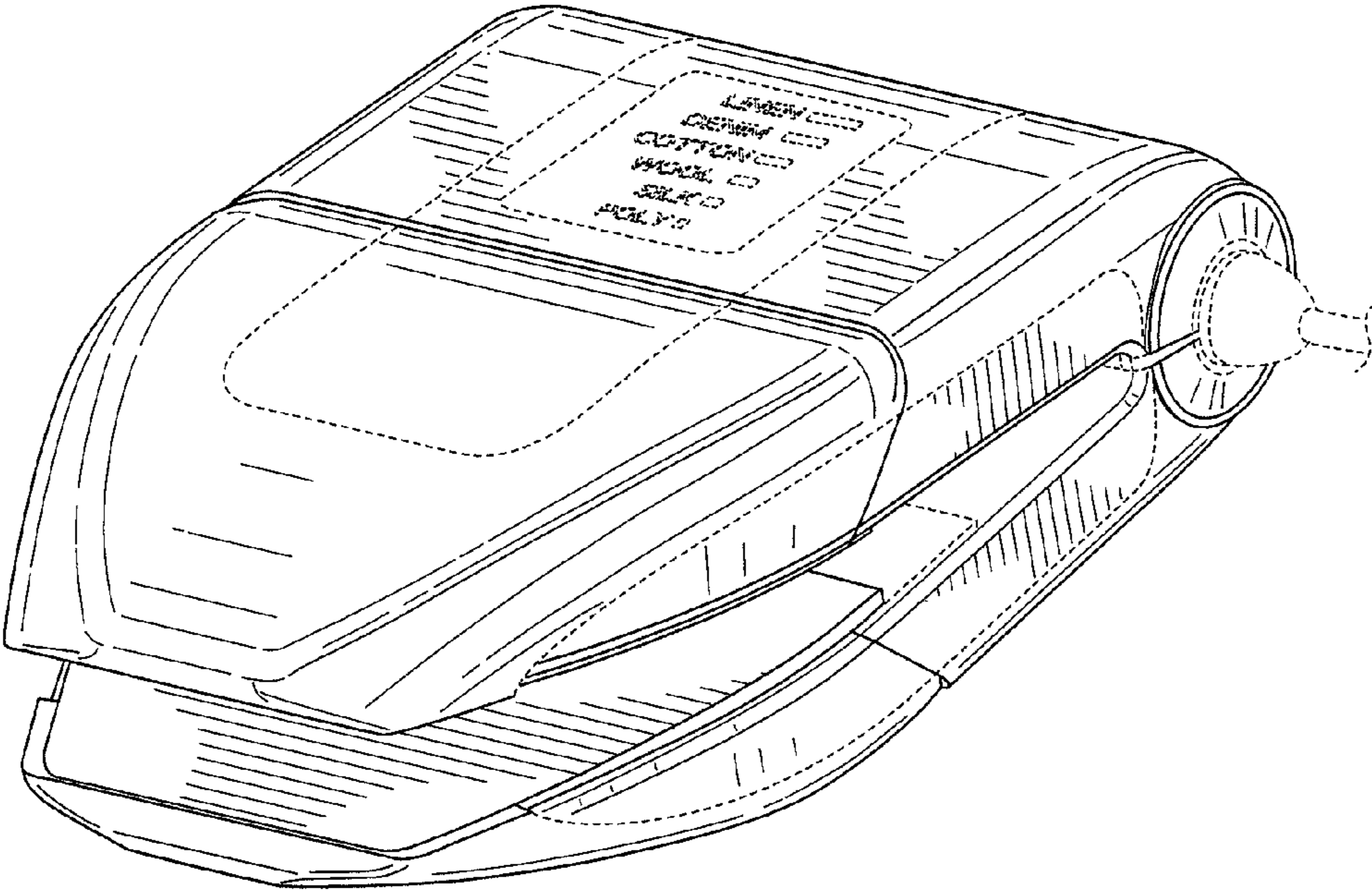


FIG. 1

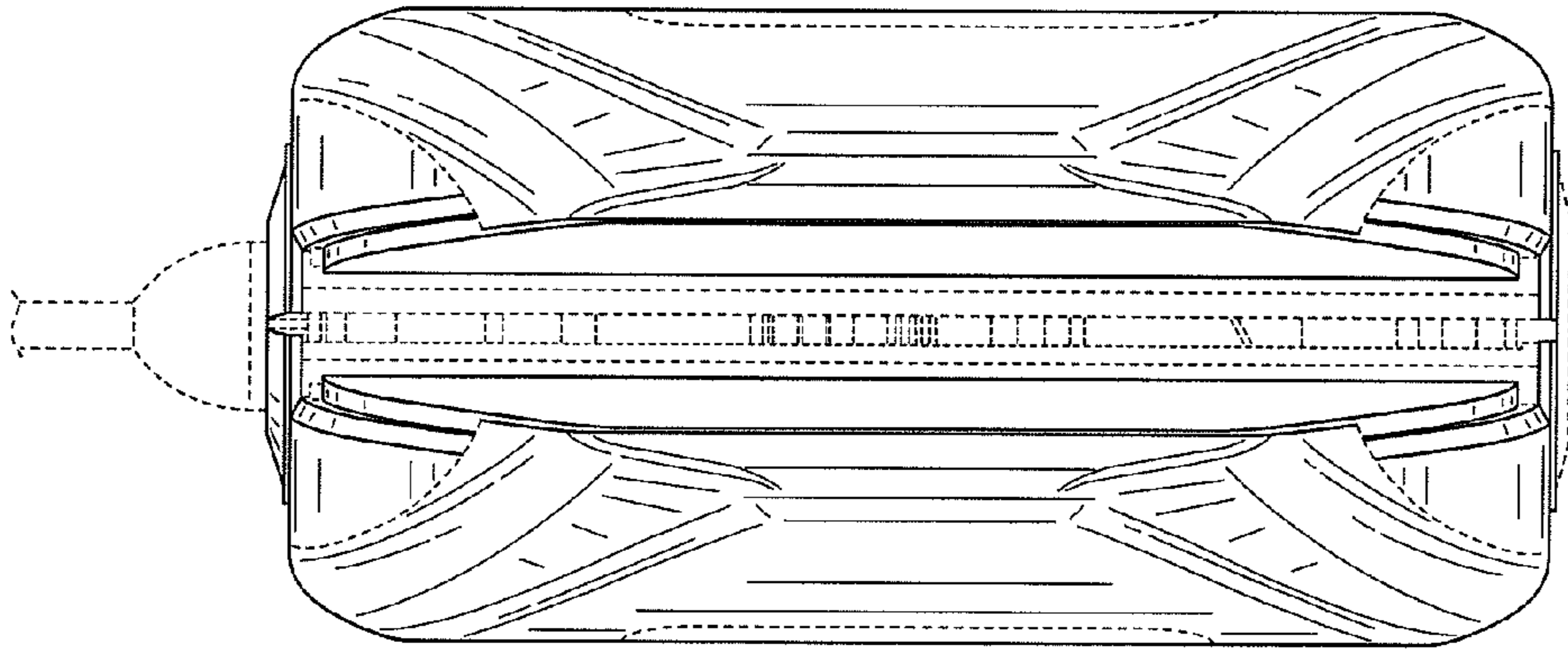


FIG. 2

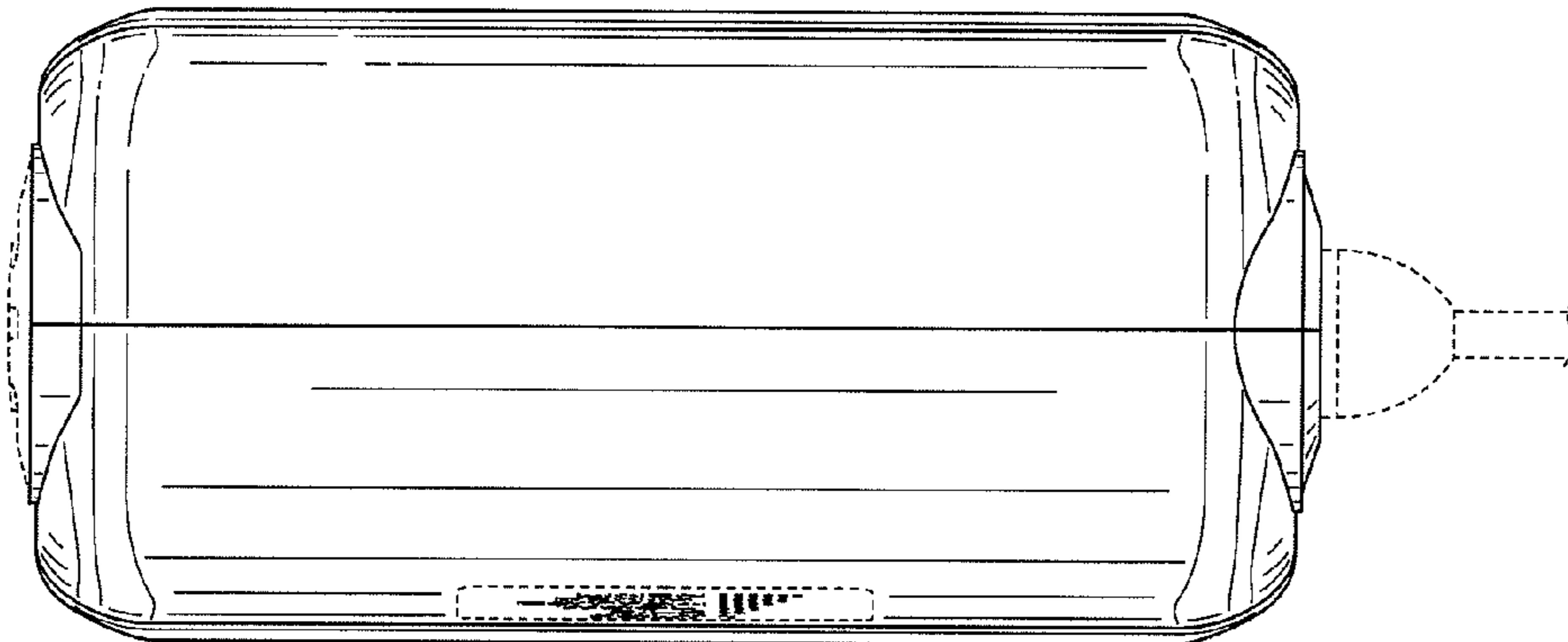


FIG. 3

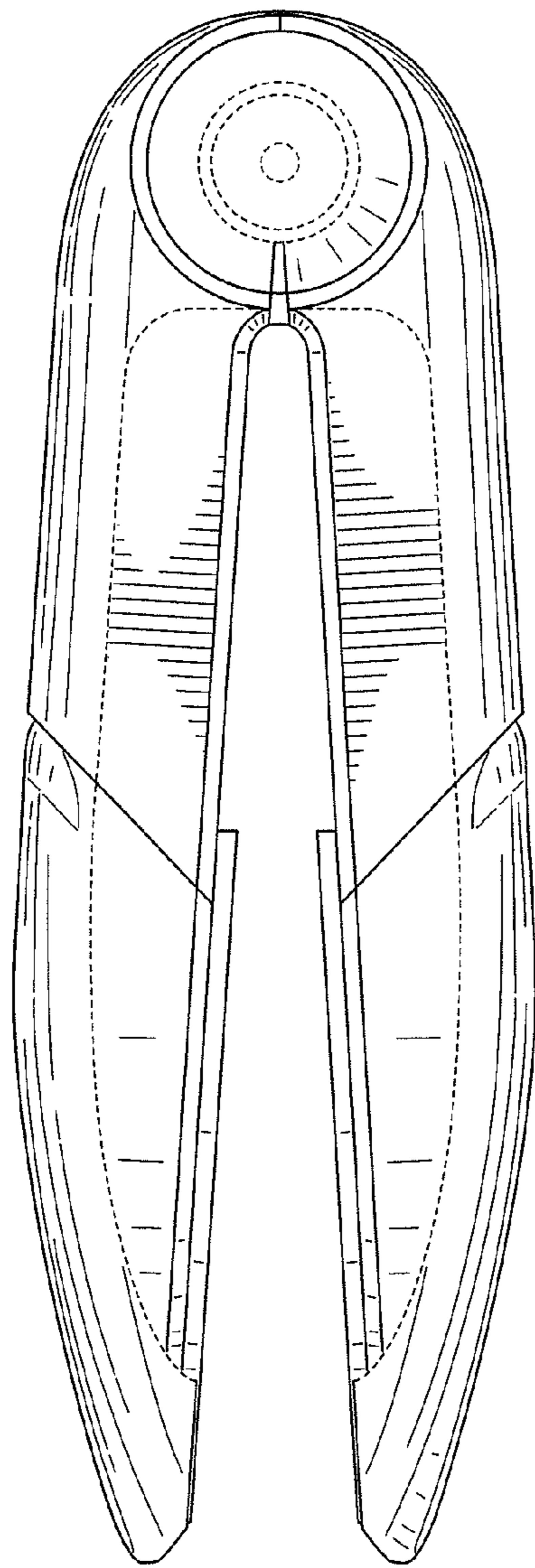


FIG. 4

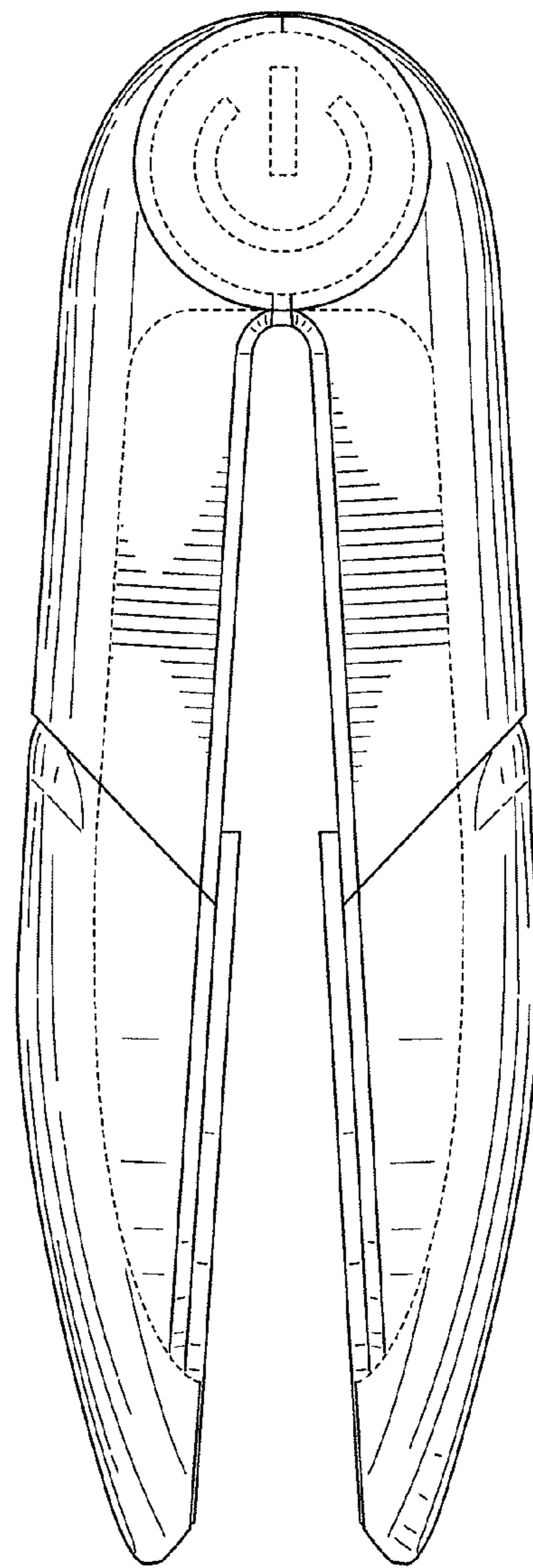


FIG. 5

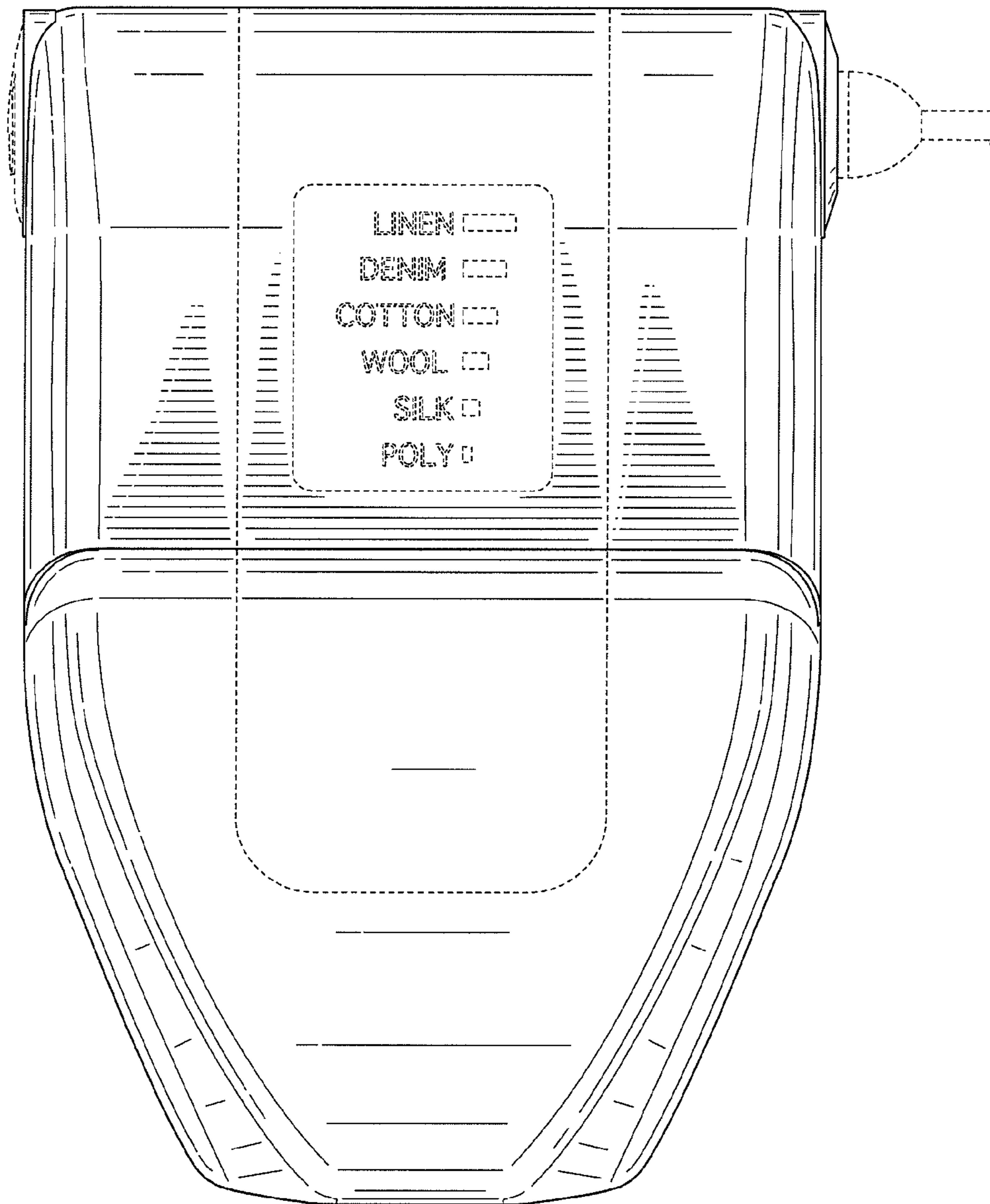


FIG. 6

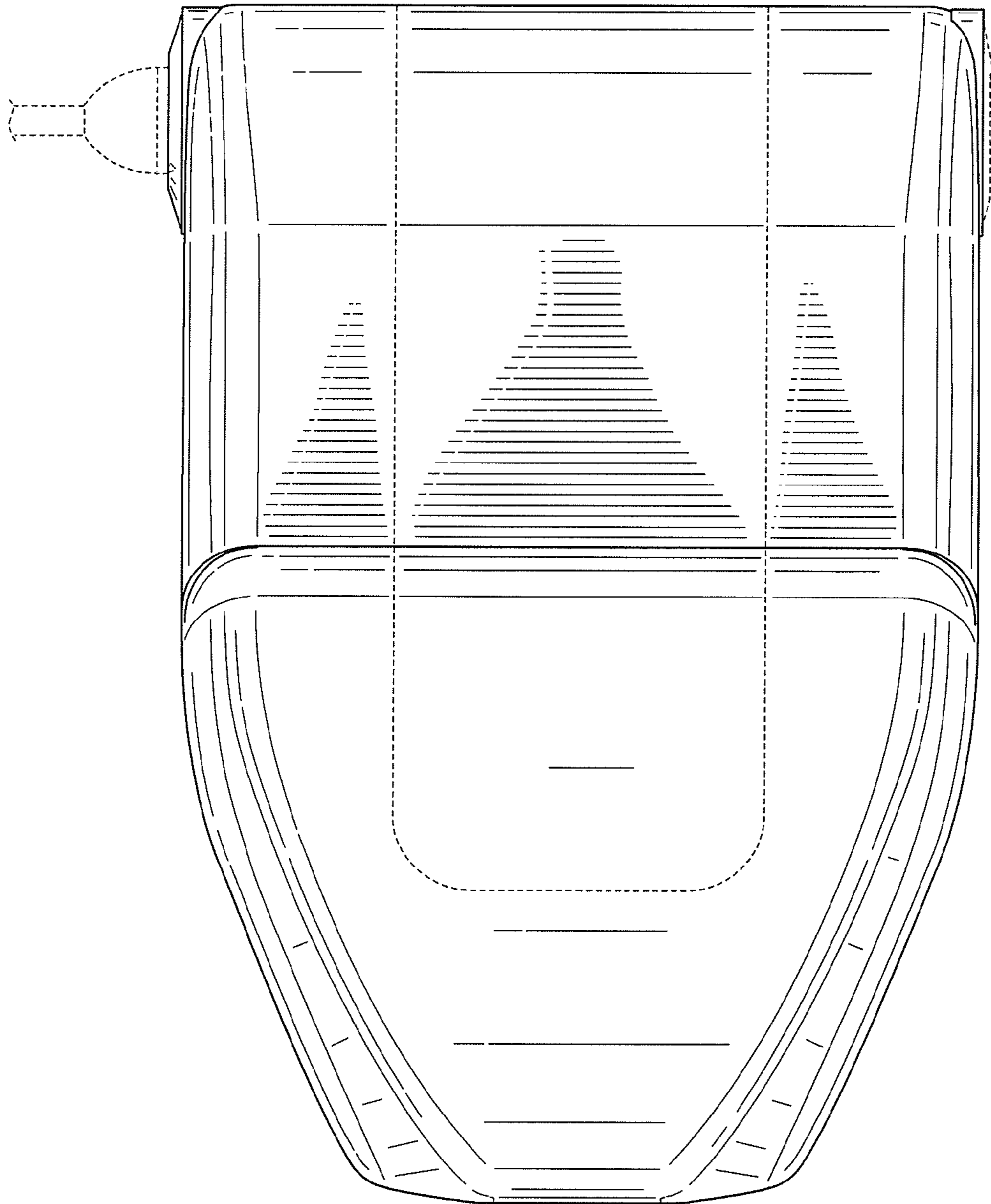


FIG. 7

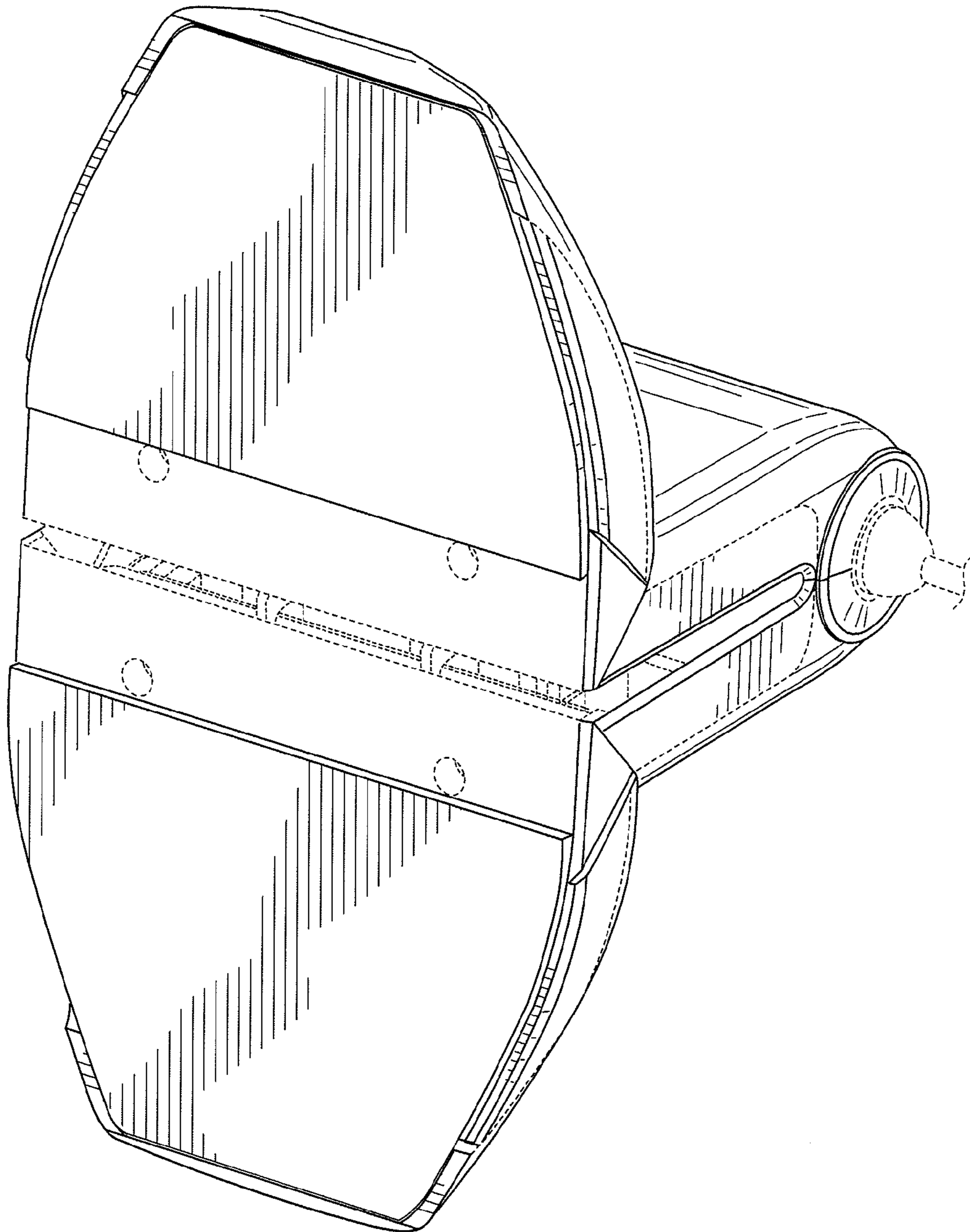


FIG. 8

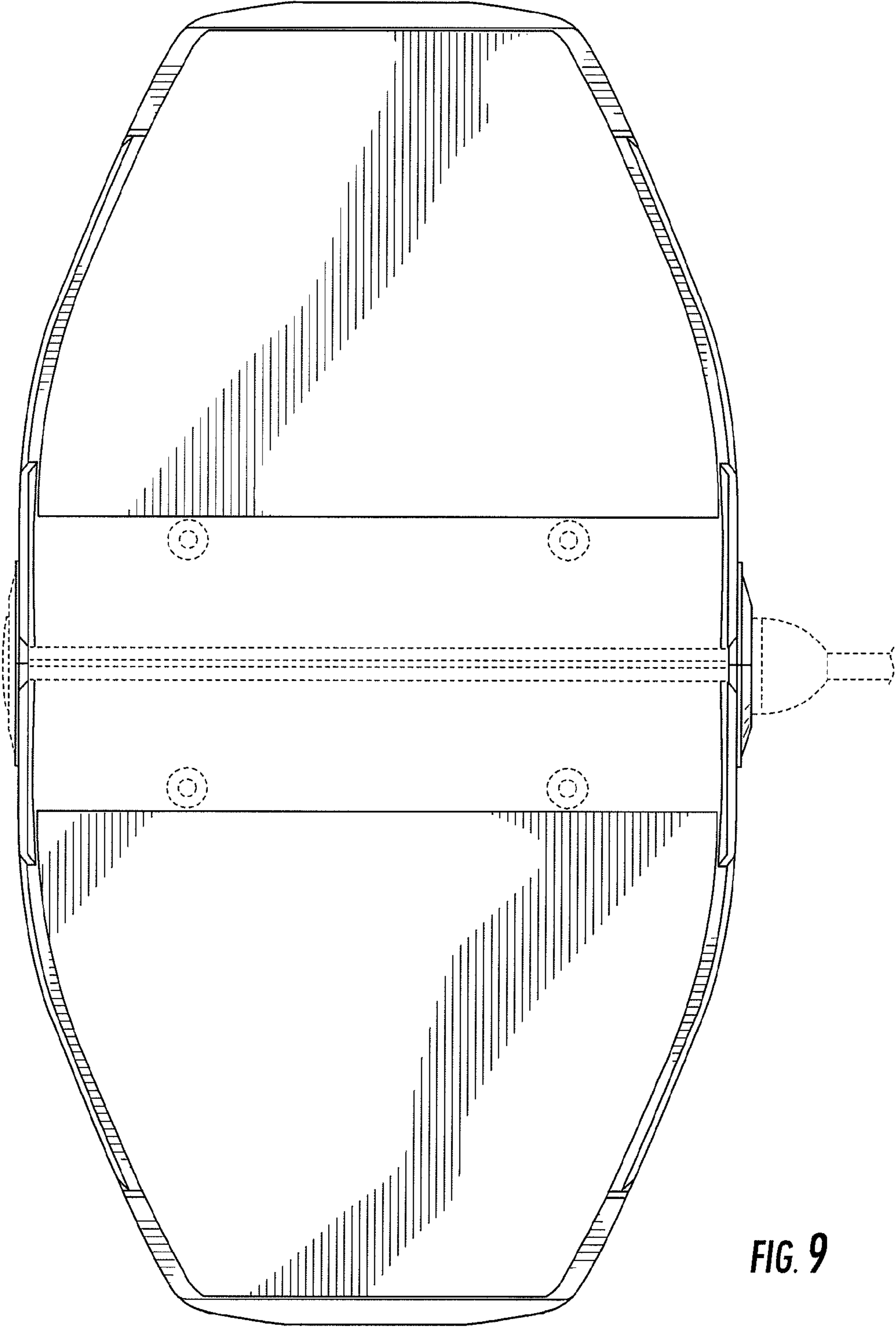


FIG. 9

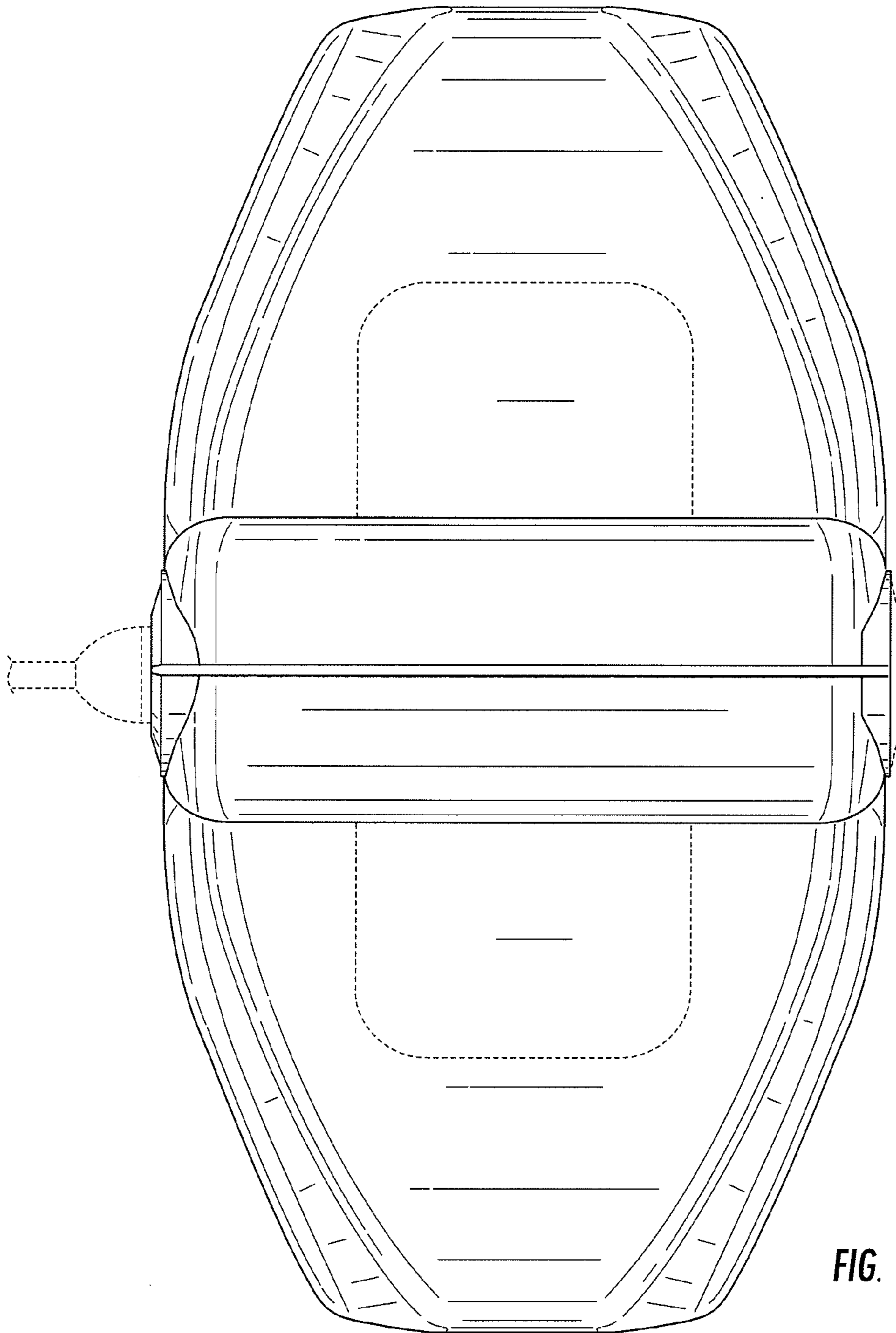


FIG. 10

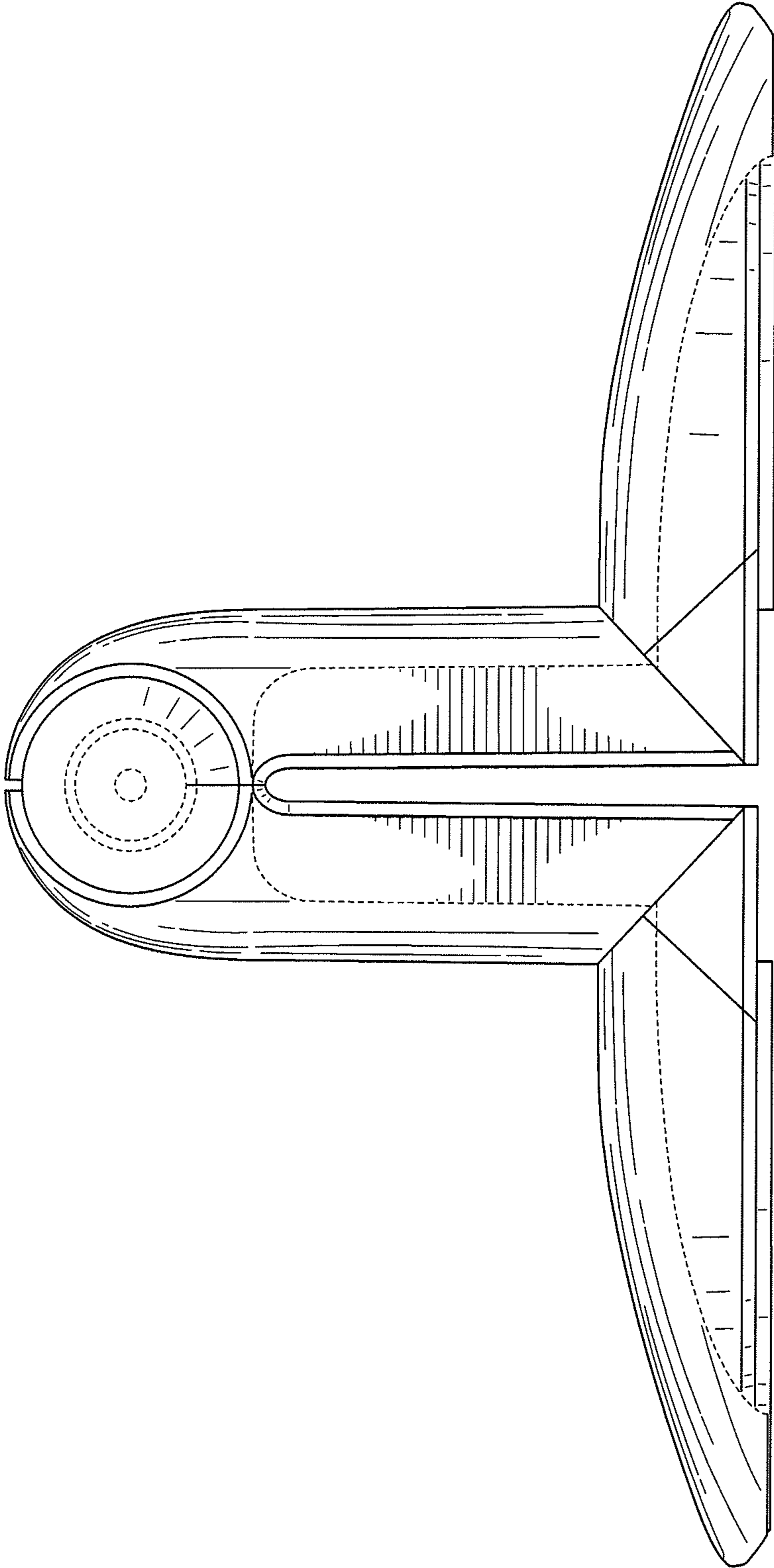


FIG. 11

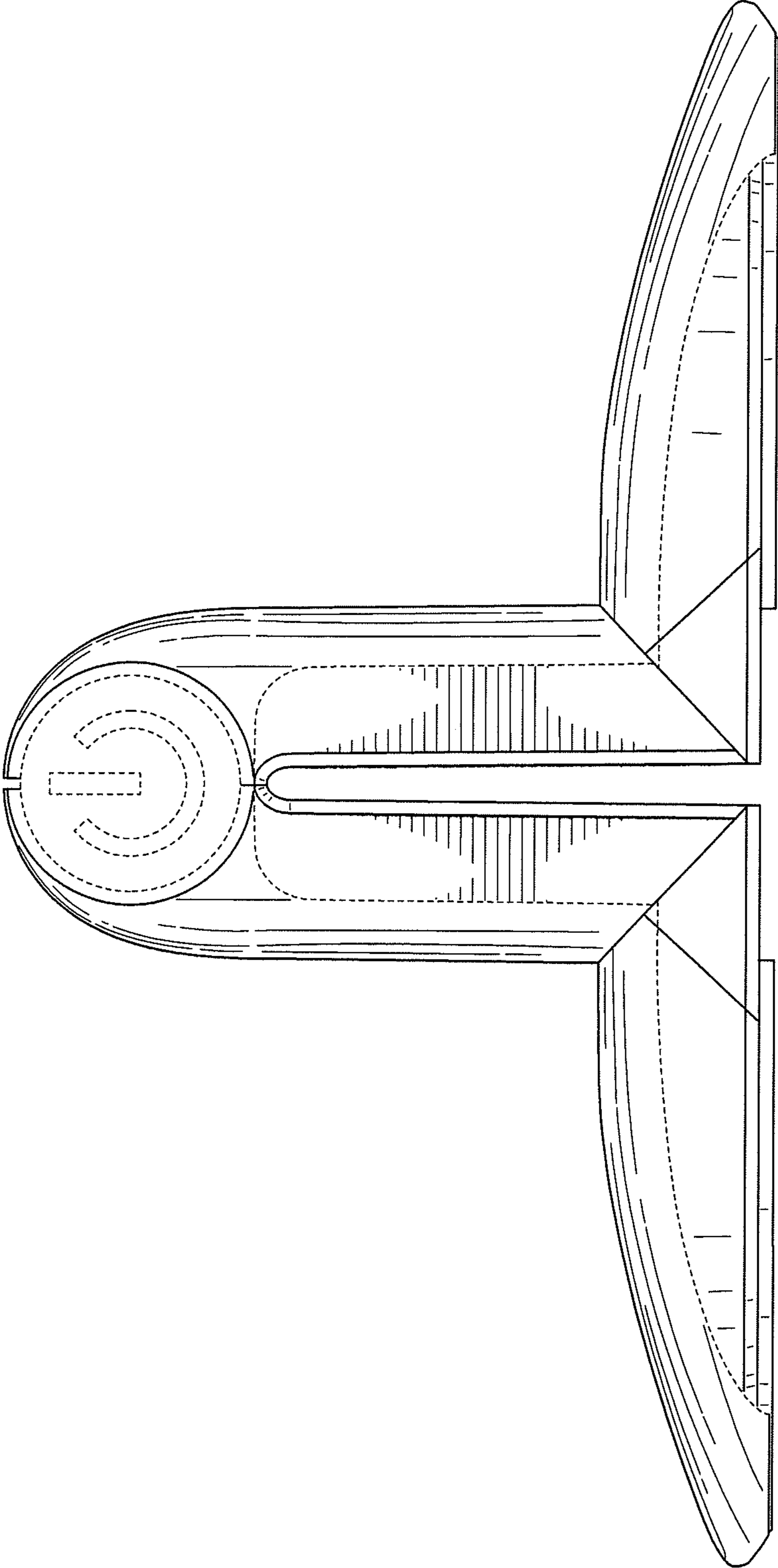


FIG. 12

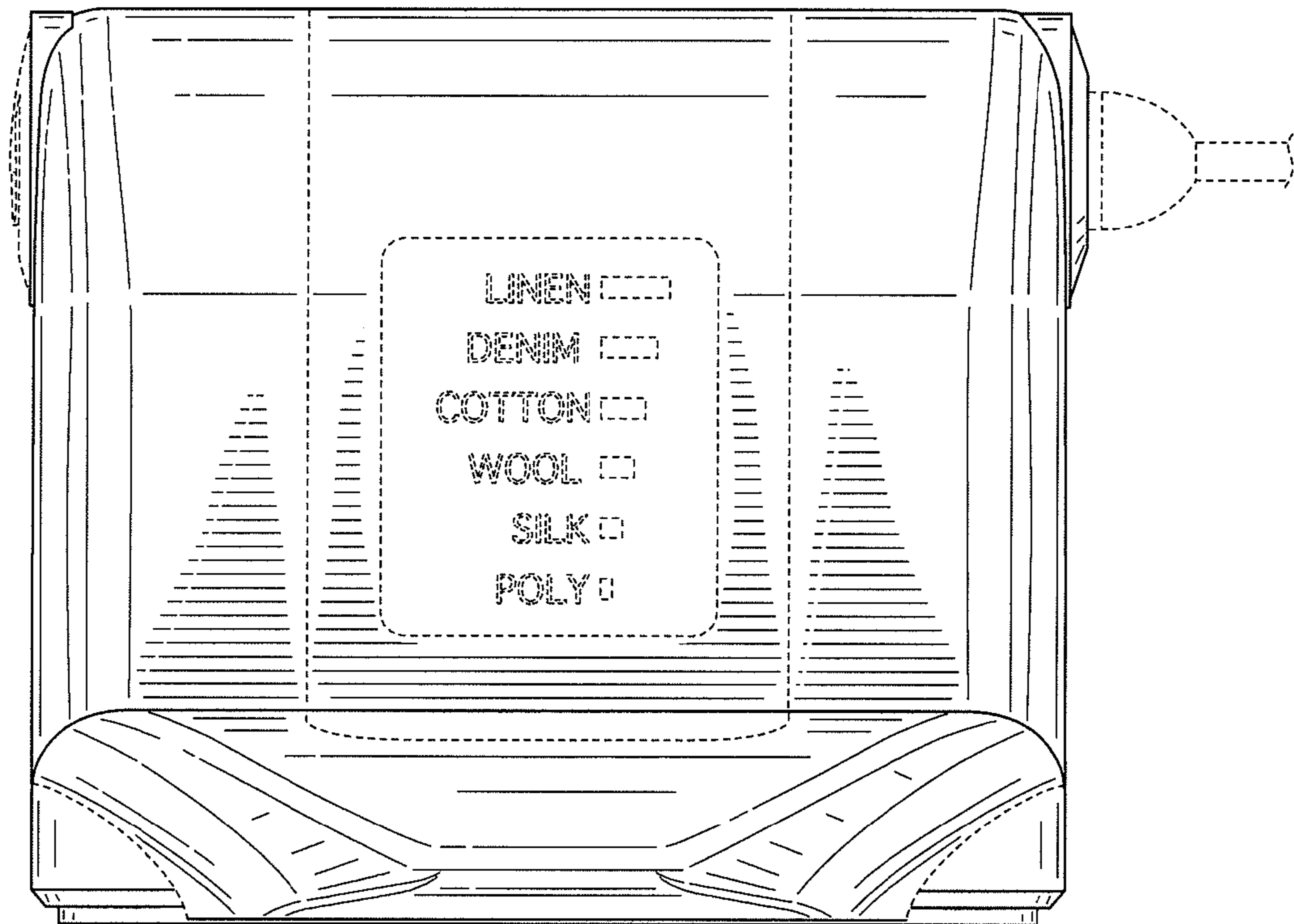


FIG. 13

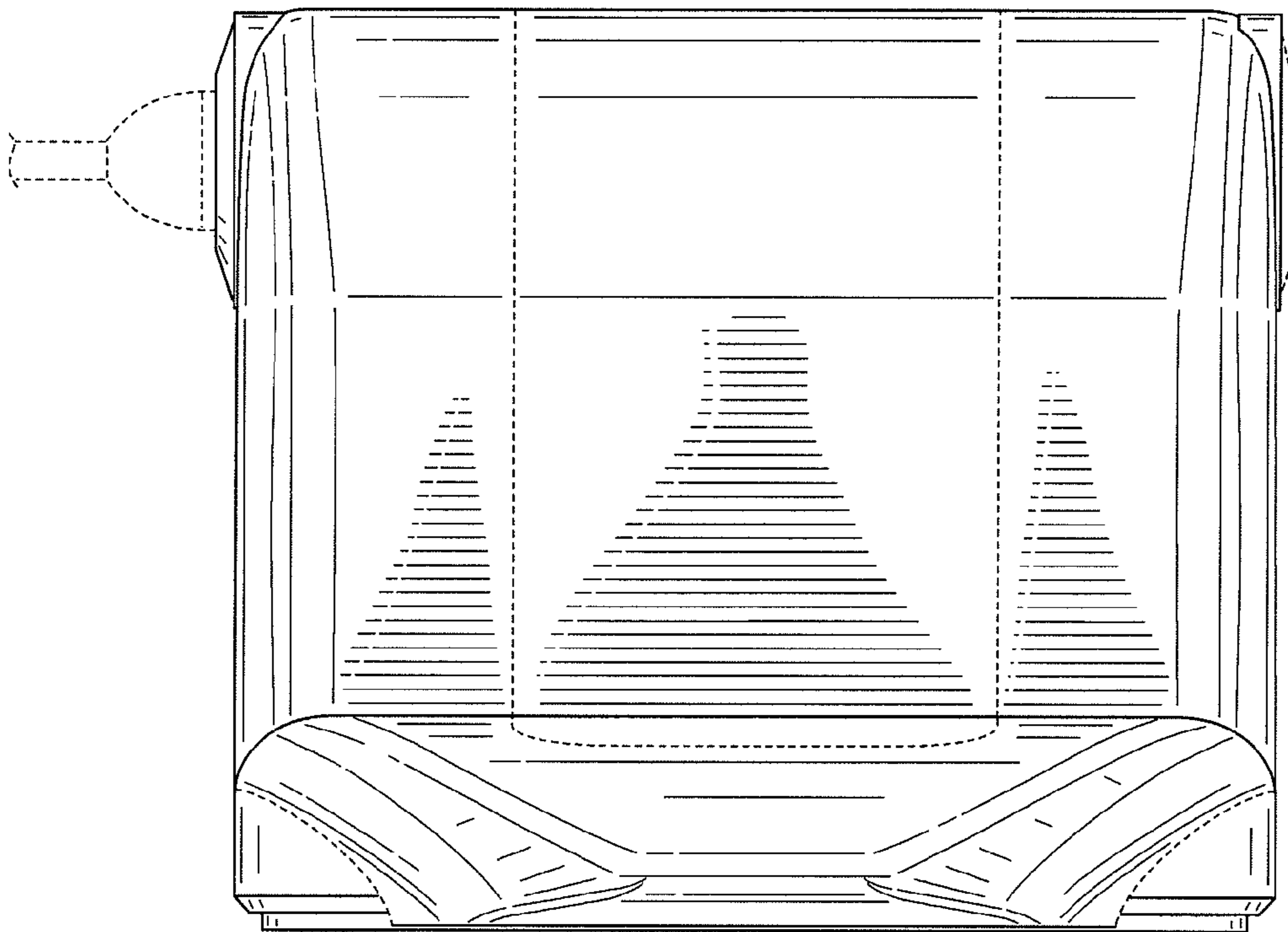


FIG. 14