



US00D72884S

(12) **United States Design Patent**
Waffensmith et al.

(10) **Patent No.:** **US D728,884 S**
(45) **Date of Patent:** **** May 5, 2015**

(54) **LINER FOR PAINT ROLLER BUCKET**

(71) Applicant: **Bercom International, LLC**,
Chanhasen, MN (US)

(72) Inventors: **Jeffrey B. Waffensmith**, North Oaks,
MN (US); **Ryan D. Jordan**, Buffalo,
MN (US)

(73) Assignee: **Bercom International, LLC**,
Chanhasen, MN (US)

(**) Term: **14 Years**

(21) Appl. No.: **29/486,816**

(22) Filed: **Apr. 2, 2014**

(51) **LOC (10) Cl.** **07-07**

(52) **U.S. Cl.**
USPC **D32/54**

(58) **Field of Classification Search**
CPC B65D 25/14
USPC D32/53-54; 15/260-264, 257.05,
15/257.06; 220/904, 570, 495.01, 495.02
See application file for complete search history.

(56) **References Cited**

U.S. PATENT DOCUMENTS

606,100 A	6/1898	Thompson
D33,891 S	1/1901	Kennedy
1,304,415 A	5/1919	Tucker
1,590,572 A	6/1926	Fredette
1,734,976 A	11/1929	McClellan

(Continued)

FOREIGN PATENT DOCUMENTS

GB	195523	4/1923
JP	10 287339	10/1998

OTHER PUBLICATIONS

Painters' Helper Sporty's Tool Shop (1 page) bearing copyright notice of 2001.

(Continued)

Primary Examiner — Robin V Webster
(74) *Attorney, Agent, or Firm* — James L. Young; Westman, Champlin & Koehler, P.A.

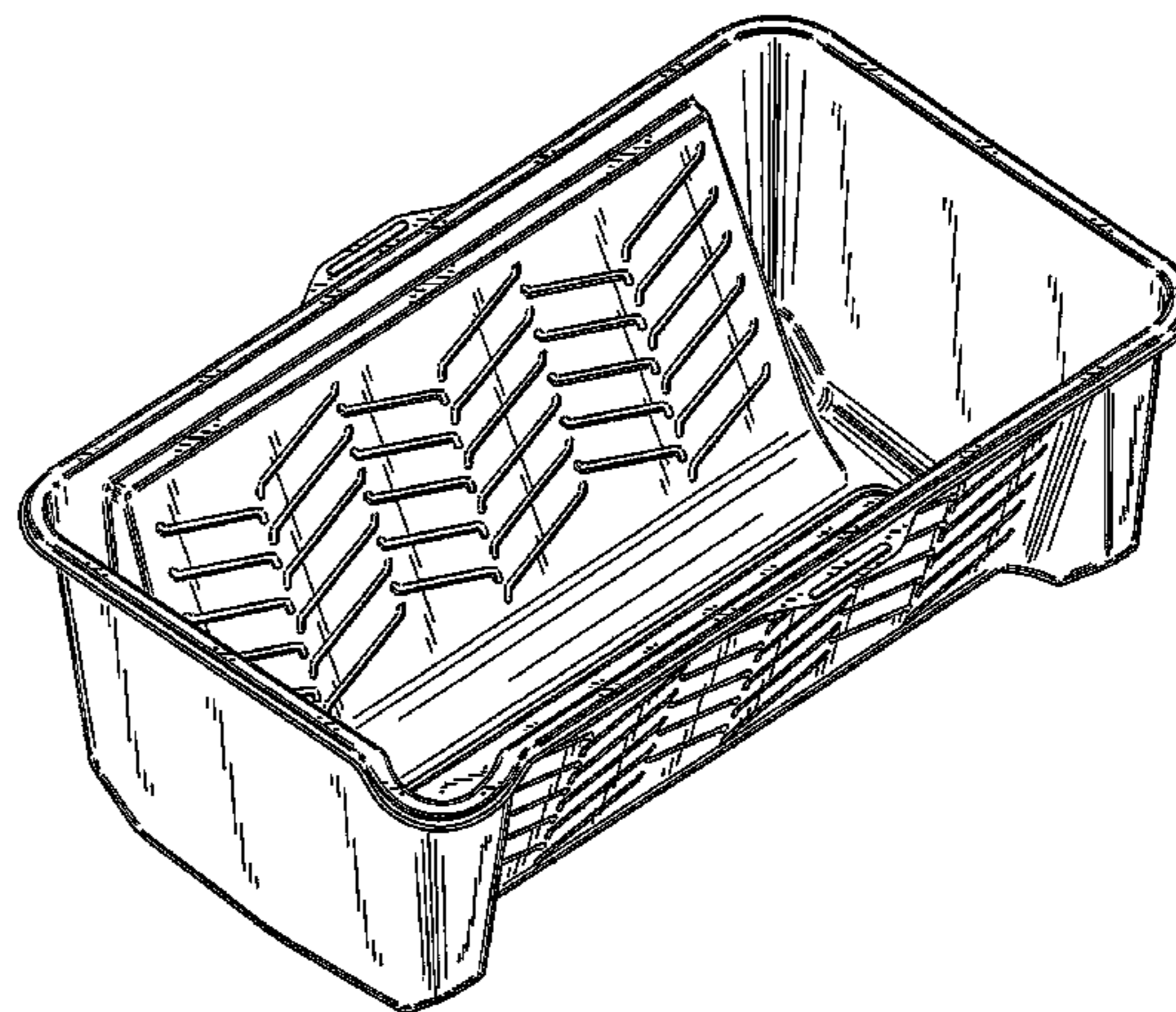
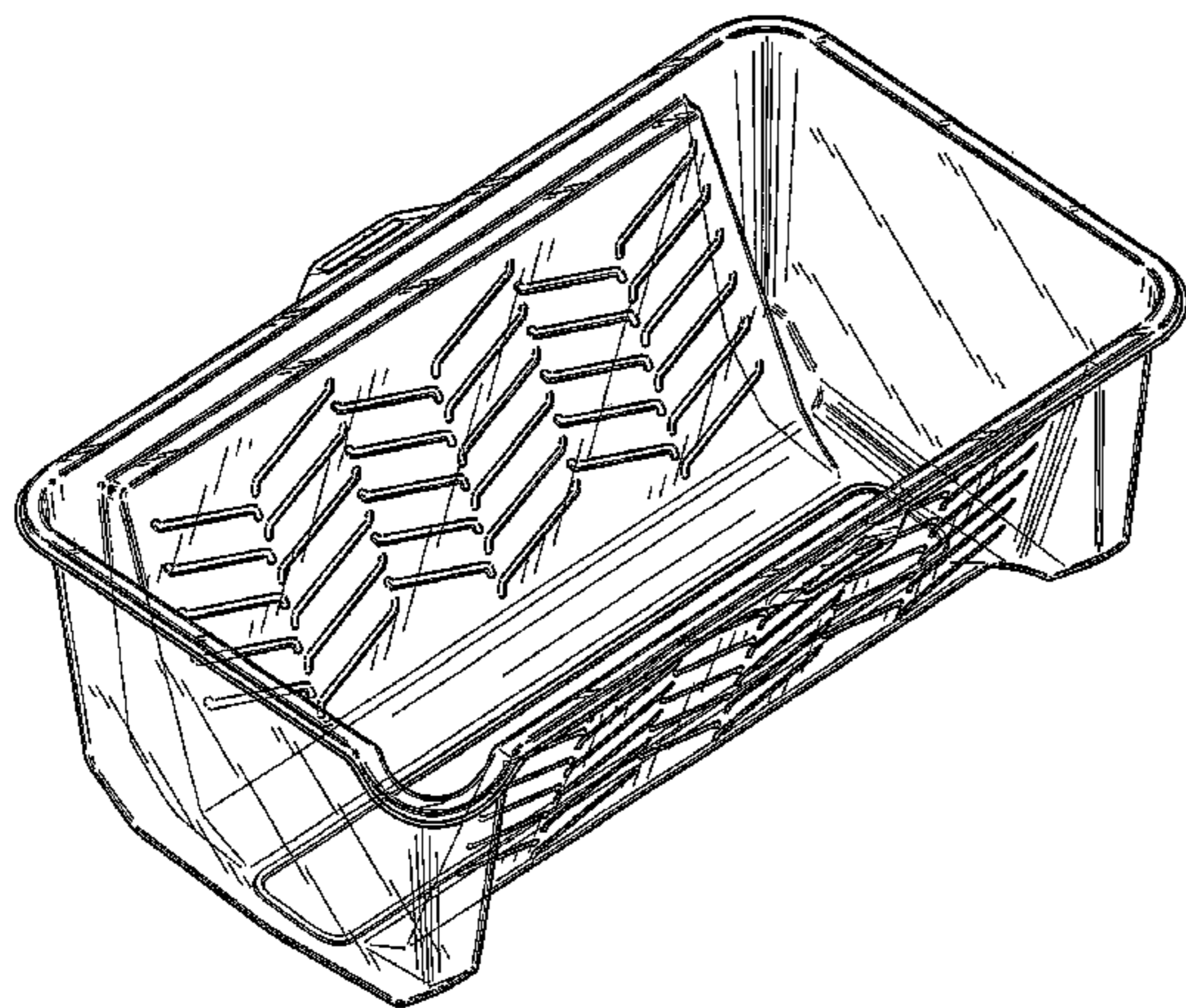
(57) **CLAIM**

The ornamental design for a liner for a paint roller bucket, as shown and described.

DESCRIPTION

FIG. 1 is a perspective view of a liner for a paint roller bucket; FIG. 2 is a front elevational view of the liner of FIG. 1; FIG. 3 is a rear elevational view of the liner of FIG. 1; FIG. 4 is a side view of the liner of FIG. 1 (from the left side of FIG. 2); FIG. 5 is a side view of the liner of FIG. 1 (from the right side of FIG. 2); FIG. 6 is a top view of the liner of FIG. 1; FIG. 7 is a bottom view of the liner of FIG. 1; FIG. 8 is a perspective view of a second embodiment of a liner for a paint roller bucket; FIG. 9 is a front elevational view of the liner of FIG. 8; FIG. 10 is a rear elevational view of the liner of FIG. 8; FIG. 11 is a side view of the liner of FIG. 8 (from the left side of FIG. 9); FIG. 12 is a side view of the liner of FIG. 8 (from the right side of FIG. 9); FIG. 13 is a top view of the liner of FIG. 8; and, FIG. 14 is a bottom view of the liner of FIG. 8.

1 Claim, 12 Drawing Sheets



(56)

References Cited

U.S. PATENT DOCUMENTS

1,813,670 A	7/1931	Kessler	5,341,969 A	8/1994	Accardo et al.
1,950,505 A	3/1934	Matters	D350,632 S	9/1994	Cummins
2,314,835 A	12/1940	Johns et al.	D353,241 S	12/1994	Breen
2,228,536 A	1/1941	Scalph	D353,697 S	12/1994	Breen et al.
2,626,737 A	1/1953	Pitz	5,400,916 A	3/1995	Weber
2,661,858 A	12/1953	Howell	5,429,262 A	7/1995	Sharkey
2,709,540 A	5/1955	Kenney	5,493,751 A	2/1996	Misiukowiec et al.
2,712,668 A	7/1955	Thiele	5,511,279 A	4/1996	Ippolito
D175,865 S	10/1955	Stone	5,549,216 A	8/1996	Scholl
2,765,969 A	10/1956	Bennington	5,570,807 A	11/1996	Busch
2,963,003 A	2/1958	Oberg et al.	5,624,093 A	4/1997	Gemmell
D184,315 S	1/1959	Jennings et al.	5,641,087 A	6/1997	Moffitt
2,922,176 A	1/1960	Bernhardt	D390,596 S	2/1998	Domhoff et al.
3,014,616 A	12/1961	Kavanaugh et al.	5,746,346 A	5/1998	Crilly
3,014,621 A	12/1961	Povitz	D395,531 S	6/1998	Mandell et al.
D193,382 S	8/1962	Goetz	D397,833 S	9/1998	Adams Zurawin
3,138,280 A	6/1964	Shafer	5,810,196 A	9/1998	Lundy
3,139,646 A	7/1964	Vernon	RE35,933 E	10/1998	Scholl
3,157,902 A	11/1964	Hardwick	D401,116 S	11/1998	Demore
D202,134 S	8/1965	Bryan	5,836,469 A	11/1998	Zebrowski
3,219,233 A	11/1965	Whiteford	5,899,354 A	5/1999	Garcia
3,229,820 A	1/1966	Hentzi et al.	D415,864 S	10/1999	Axhamre
3,292,815 A	12/1966	Smith	5,971,201 A	10/1999	Daw
3,311,252 A	3/1967	Swartwood et al.	6,019,241 A	2/2000	Burns
3,341,876 A	9/1967	Campbell	D422,450 S	4/2000	Conti
D208,969 S	10/1967	Paxton	D423,729 S	4/2000	Morgan
3,351,970 A	11/1967	Engh	6,065,633 A	5/2000	Abbey
D211,611 S	7/1968	Fox, Jr. et al.	6,119,303 A	9/2000	Passafiume
D212,831 S	11/1968	Koch	6,138,963 A	10/2000	Malvasio
3,425,012 A	1/1969	Gottinger	D435,728 S	1/2001	Miles et al.
D216,277 S	12/1969	James	D444,604 S	7/2001	Hoffert et al.
3,536,285 A	10/1970	Vaughn	D444,929 S	7/2001	Cox
3,590,416 A	7/1971	Henningsen	6,260,730 B1	7/2001	Fellman
3,595,431 A	7/1971	Bird	6,276,554 B1	8/2001	Lallement et al.
3,602,939 A	9/1971	Schoenholz	D452,130 S	12/2001	Richardson
D223,864 S	6/1972	Vines	D453,243 S	1/2002	Burke
3,682,352 A	8/1972	Douchette	D458,723 S	6/2002	Malvasio
3,707,242 A	12/1972	Golden	D460,845 S	7/2002	Bergman
3,729,158 A	4/1973	Nagy	6,419,106 B1	7/2002	Bebak
3,828,389 A	8/1974	Heisler	D462,902 S	9/2002	Gittins et al.
3,837,034 A	9/1974	Leffert	6,446,829 B1	9/2002	Malvasio et al.
3,940,824 A	3/1976	Gioia et al.	D466,407 S	12/2002	Nance
3,947,135 A	3/1976	Hawk	D466,787 S	12/2002	Clancy
4,023,702 A	5/1977	McKnight	D467,784 S	12/2002	Maier
4,061,242 A	12/1977	Donlon	D469,233 S	1/2003	Begnani
4,101,046 A	7/1978	Puntillo	6,622,340 B2	9/2003	Rosa
4,145,789 A	3/1979	Morgan, Sr.	D482,274 S	11/2003	Walsh et al.
4,164,299 A	8/1979	Fuhr	D482,830 S	11/2003	Kohn
D254,482 S	3/1980	Bell	D483,917 S	12/2003	Frantz
D270,961 S	10/1983	Hawkins et al.	6,708,838 B2	3/2004	Bergman et al.
4,445,250 A	5/1984	Seidl	D492,196 S	6/2004	Hyhlik et al.
D277,080 S	1/1985	Gagnon	D493,035 S	7/2004	Bergman
4,519,565 A	5/1985	Whitmore	6,802,431 B2	10/2004	Schinkel
4,627,546 A	12/1986	Carranza	D499,027 S	11/2004	Walsh et al.
D289,452 S	4/1987	Fuller	D509,420 S	9/2005	Hauber
D291,612 S	8/1987	Inui	6,991,829 B2	1/2006	Bergman
4,691,840 A	9/1987	Ferbrache	6,996,872 B2 *	2/2006	Tennant 15/257.05
4,798,307 A	1/1989	Evrard	D518,263 S	3/2006	Verhaar
D301,785 S	6/1989	Goetz	D524,501 S	7/2006	Prokop et al.
D302,614 S	8/1989	Beatty	D526,748 S	8/2006	Van Skiver
4,860,891 A	8/1989	Biggio	7,083,044 B1	8/2006	Kilian et al.
D305,467 S	1/1990	Dagge	D528,706 S	9/2006	Jefferson
4,895,269 A	1/1990	Cade	D535,794 S	1/2007	Lundy et al.
4,927,046 A	5/1990	Armstrong	7,191,913 B2	3/2007	Byrne
4,928,873 A	5/1990	Johnson	D546,160 S	7/2007	Reithmeyer
5,011,536 A	4/1991	Boom	D546,514 S	7/2007	Byrne
5,033,704 A	7/1991	Kerr	D548,913 S	8/2007	Van Lanningham
5,083,733 A	1/1992	Marino et al.	D549,913 S	8/2007	Bergman
5,092,481 A	3/1992	Skelton	D553,818 S	10/2007	Moon
5,147,067 A	9/1992	Effertz	D562,518 S	2/2008	Lundy
5,169,025 A	12/1992	Guo	D569,567 S	5/2008	Kohn
5,201,439 A	4/1993	Davies	D571,969 S	6/2008	Byers
5,207,348 A	5/1993	Fischer et al.	D578,874 S	10/2008	Smith et al.
5,222,656 A	6/1993	Carlson	D581,118 S	11/2008	Bergman
5,320,249 A	6/1994	Strech	D583,521 S *	12/2008	Arvinte et al. D32/53.1
			D586,056 S	2/2009	Shea
			D594,163 S	6/2009	Sparano
			D607,624 S	1/2010	Bergman
			D612,119 S	3/2010	Bergman

(56)

References Cited

U.S. PATENT DOCUMENTS

D617,517 S 6/2010 Bergman
 7,963,418 B2* 6/2011 Arvinte et al. 220/495.02
 D645,627 S 9/2011 Arvinte et al.
 D654,644 S * 2/2012 Davidson D32/54
 D692,198 S 10/2013 Bergman
 D694,976 S * 12/2013 Lambertson et al. D32/53
 2002/0005409 A1 1/2002 Rose
 2002/0036206 A1 3/2002 Bergman et al.
 2002/0056714 A1 5/2002 Schinkel
 2004/0118861 A1 6/2004 Bergman et al.
 2004/0134917 A1 7/2004 Carnegie
 2004/0173622 A1 9/2004 Findleton
 2004/0195248 A1 10/2004 Garcia
 2004/0206761 A1 10/2004 Frantz
 2004/0208083 A1 10/2004 Armendariz et al.
 2004/0256335 A1 12/2004 Sholem

2006/0124649 A1 6/2006 Campbell
 2006/0219720 A1 10/2006 Lundy et al.
 2006/0225959 A1 10/2006 Pohl
 2006/0226154 A1 10/2006 Lundy et al.
 2006/0243732 A1 11/2006 Bergman

OTHER PUBLICATIONS

Fourteen (14) pages of photos of a pail known to the public prior to Apr. 29, 2004.
 Purdy Product Catalog, pp. 1, 3, 6, 52, 54-56, 60, Jan. 2013.
 Purdy press release "Purdy dual roll off five-gallon bucket increases production speed for professional painters," (2 pages) Jan. 2013.
 Description of "Dual Roll Off Bucket" from www.purdy.com, (1 page) printed Sep. 10, 2013.
 Description of "Dual Roll Off Bucket" from www.purdy.com, (1 page) printed Nov. 18, 2013.

* cited by examiner

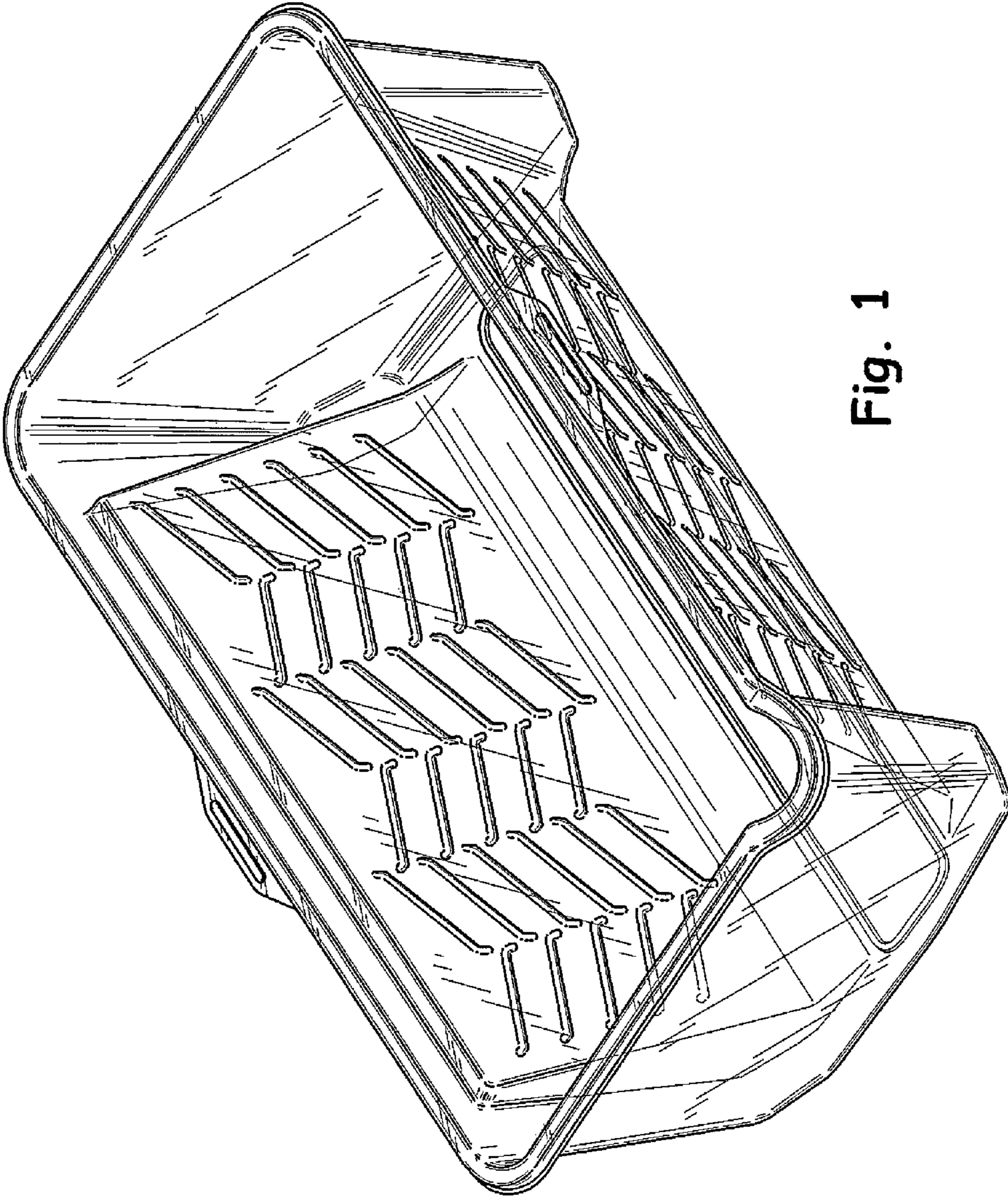


Fig. 1

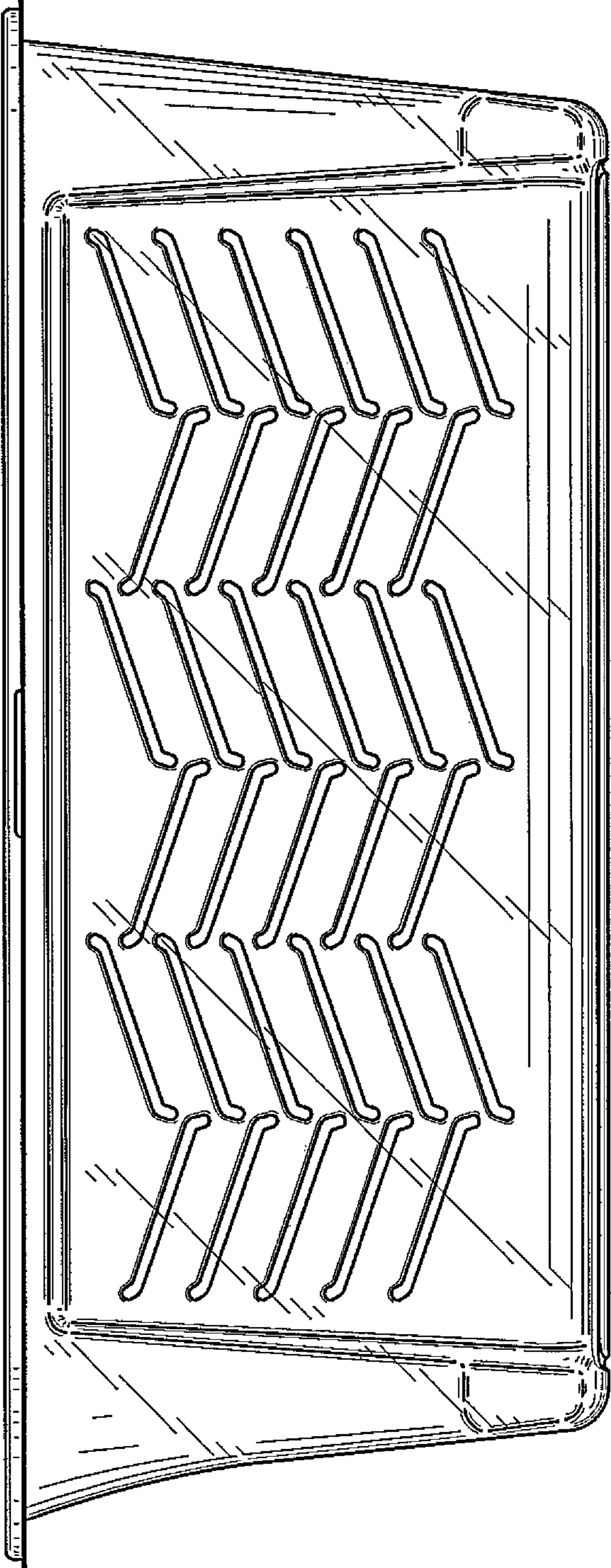


Fig. 2

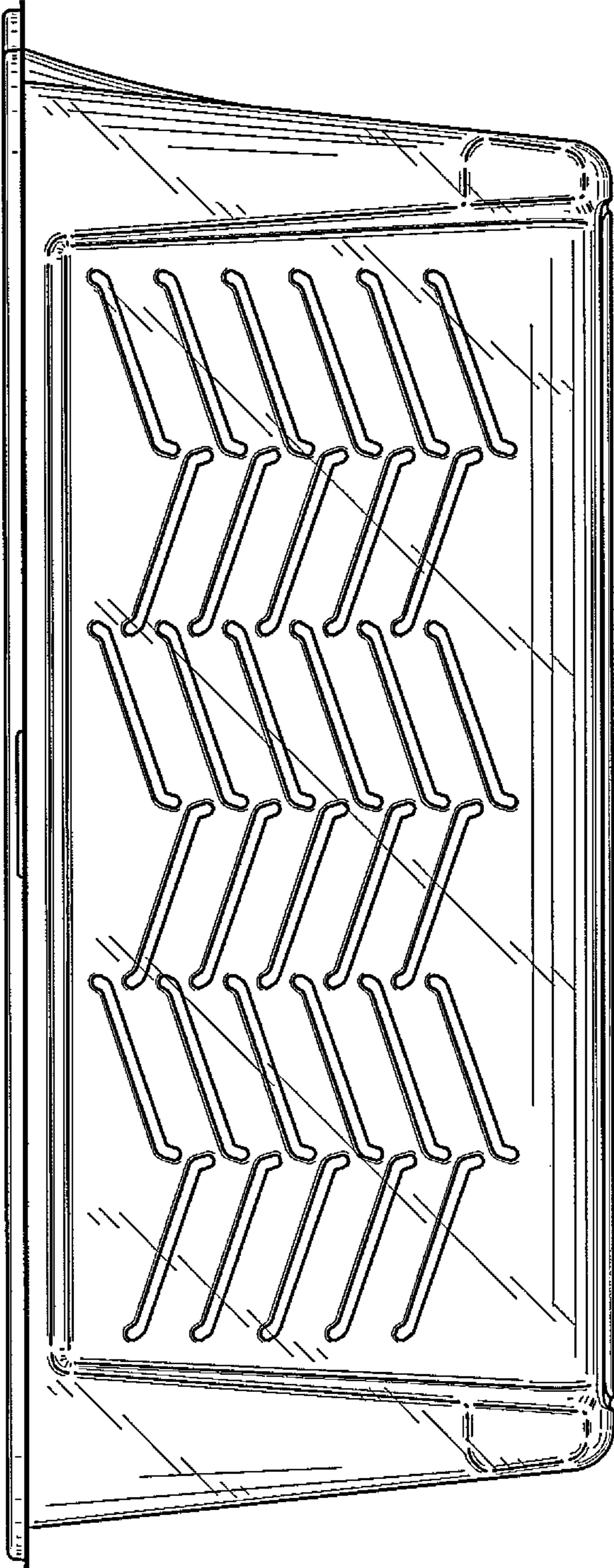


Fig. 3

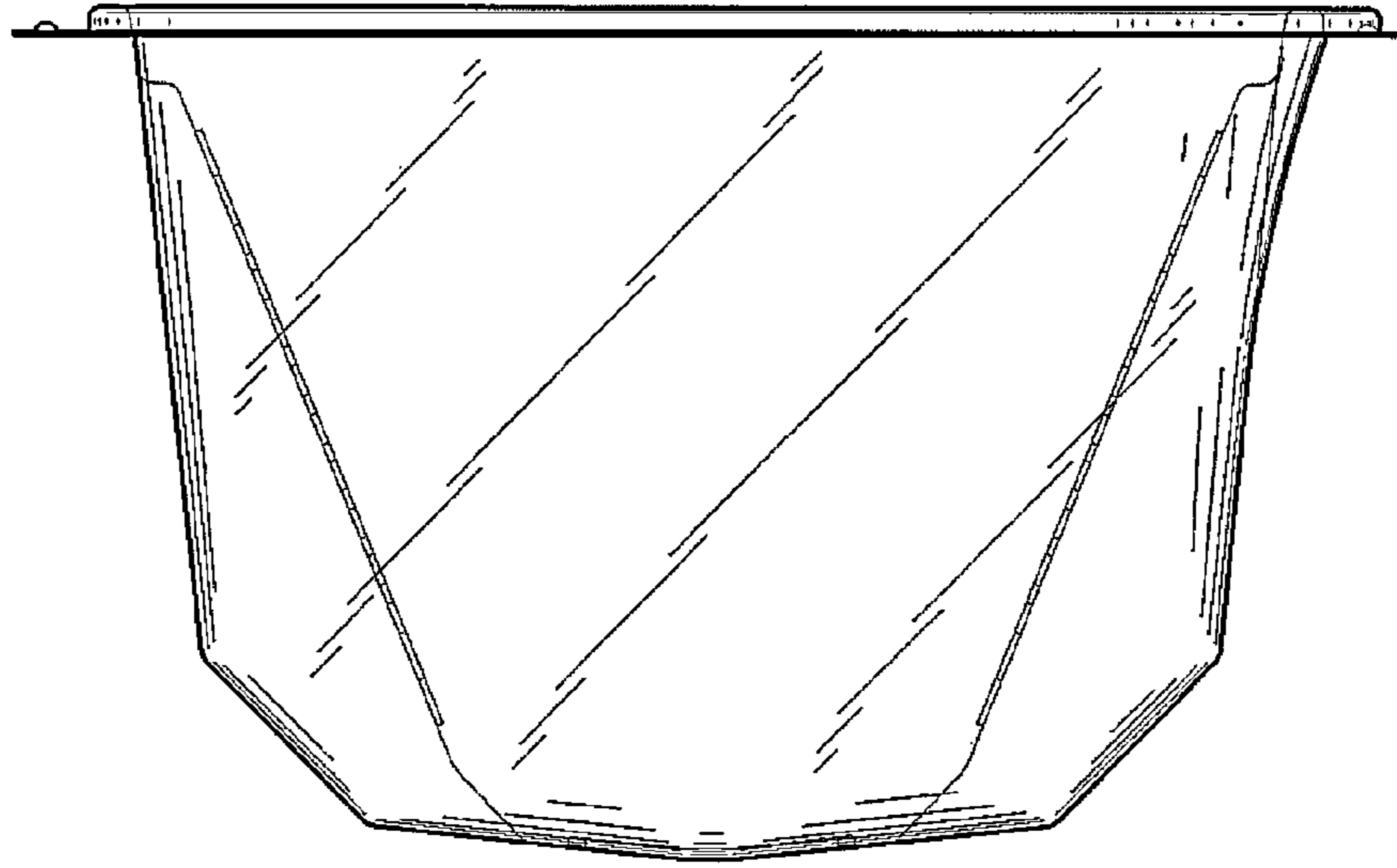


Fig. 4

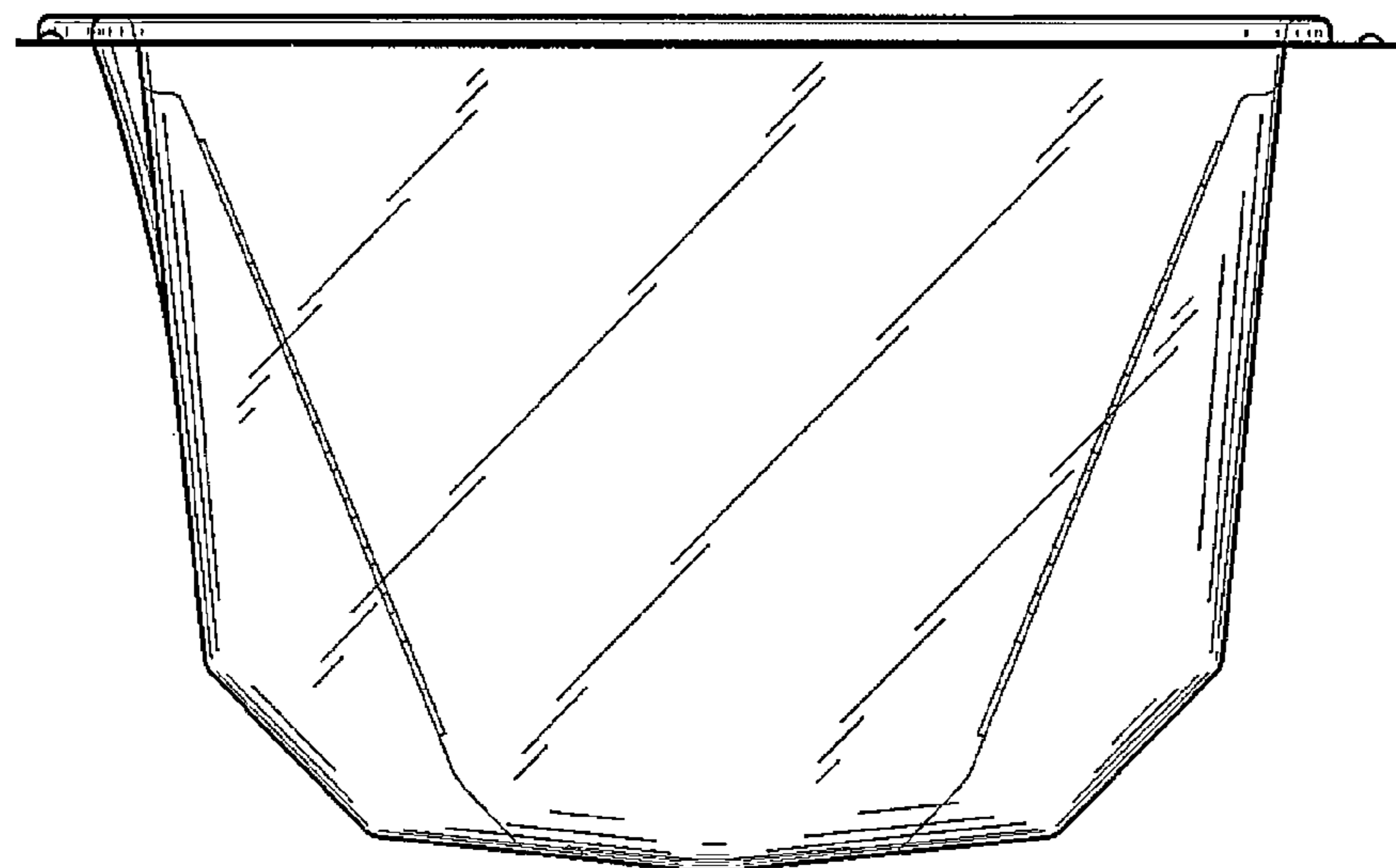


Fig. 5

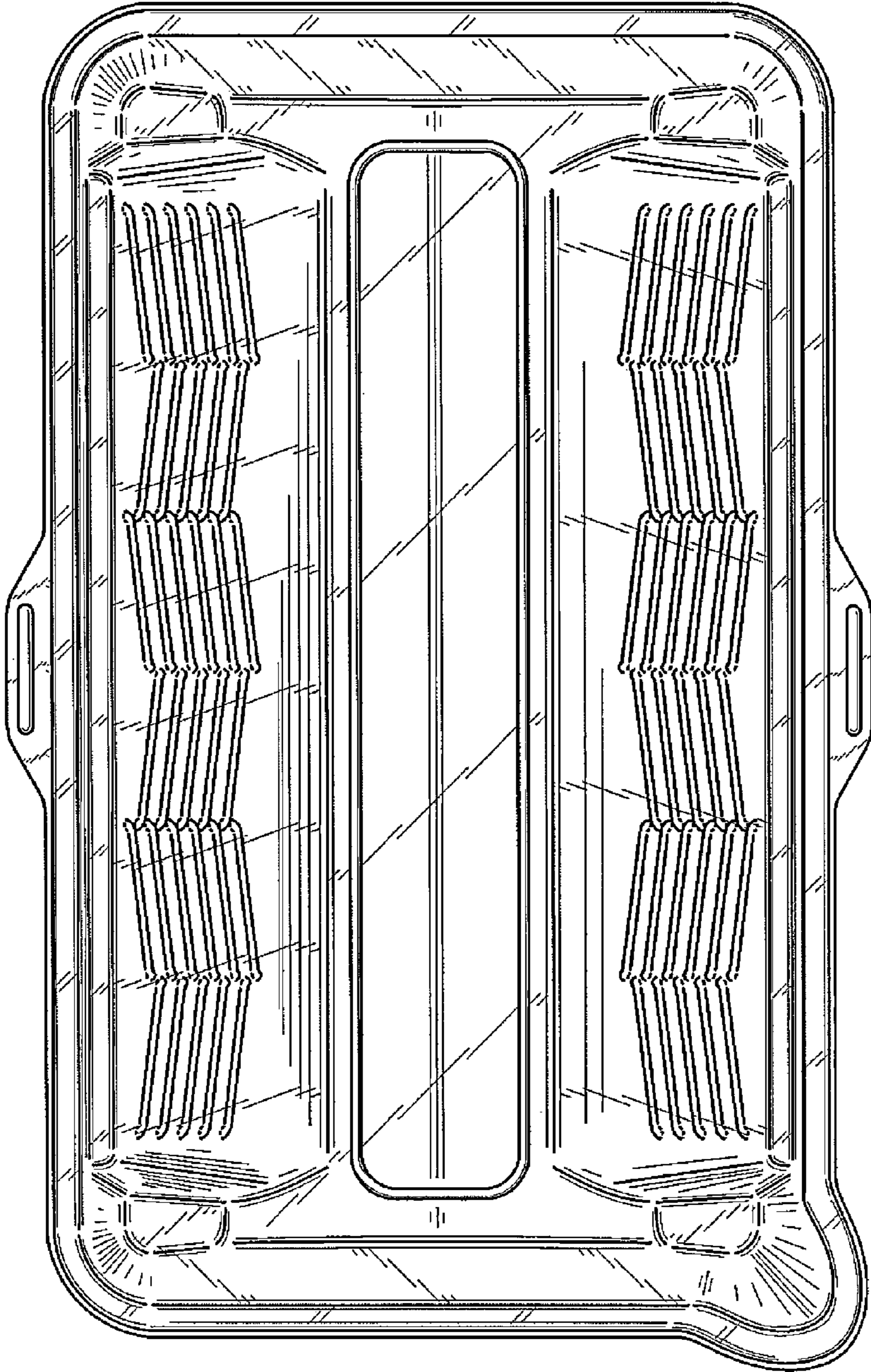


Fig. 6

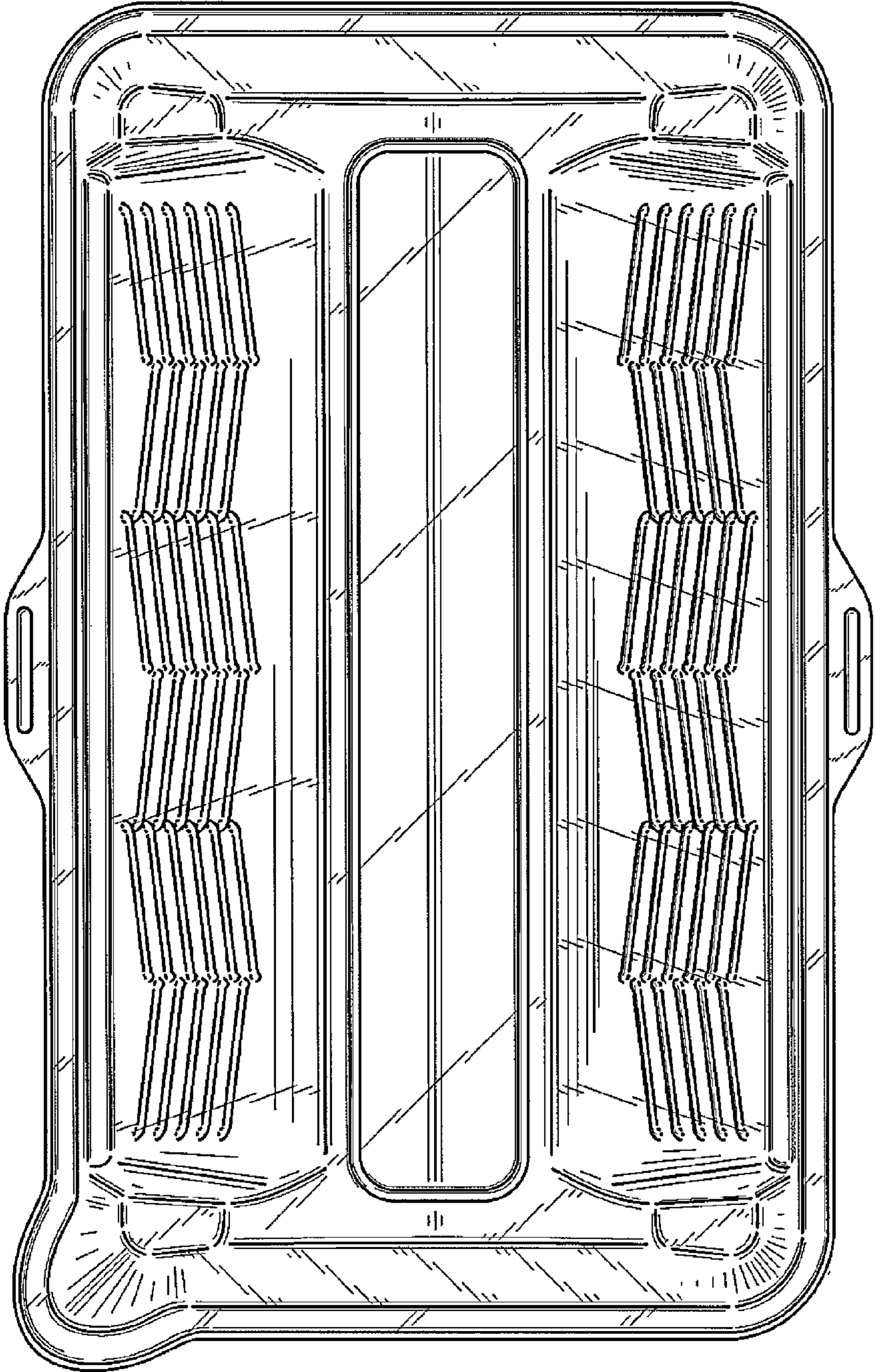


Fig. 7

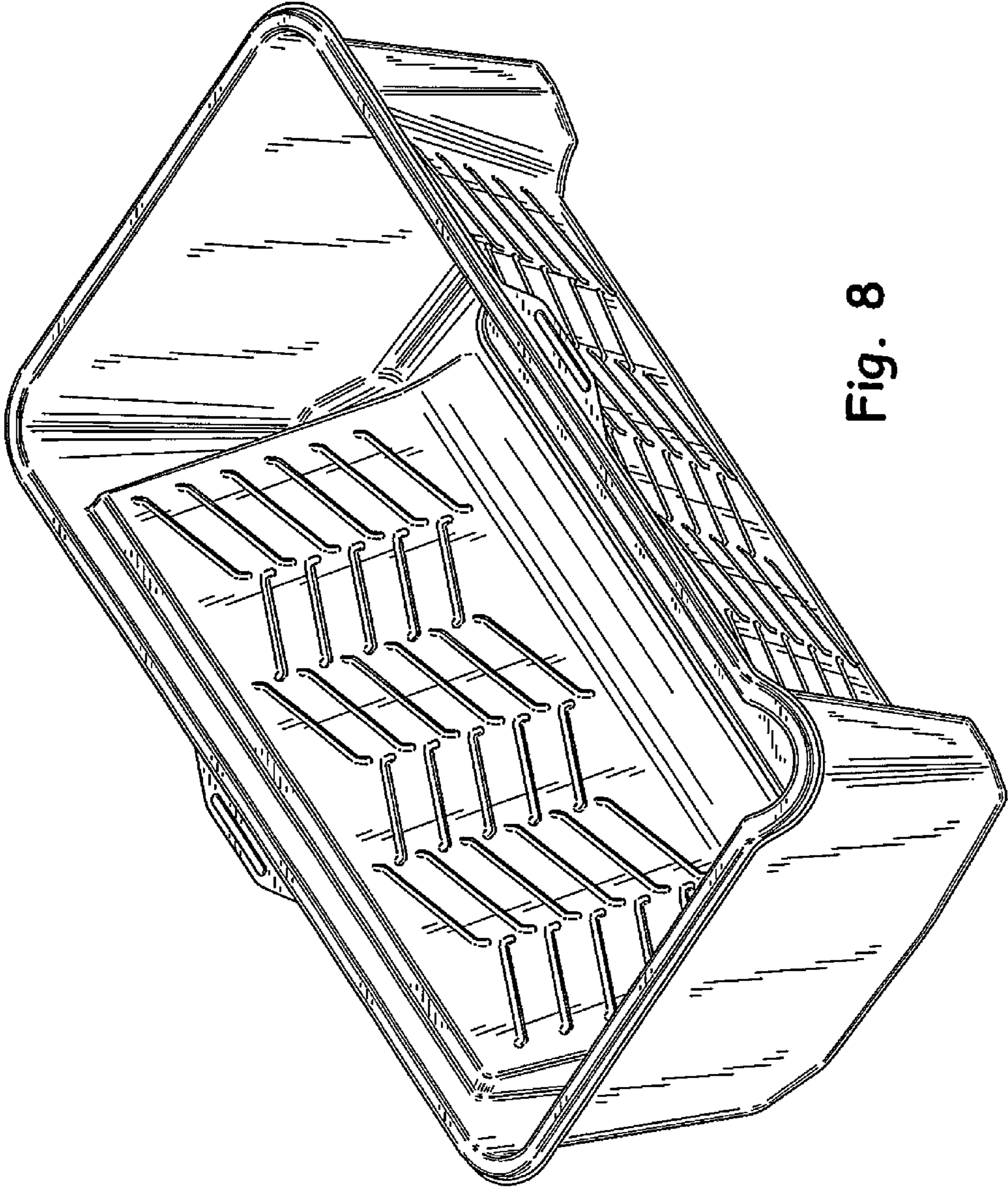


Fig. 8

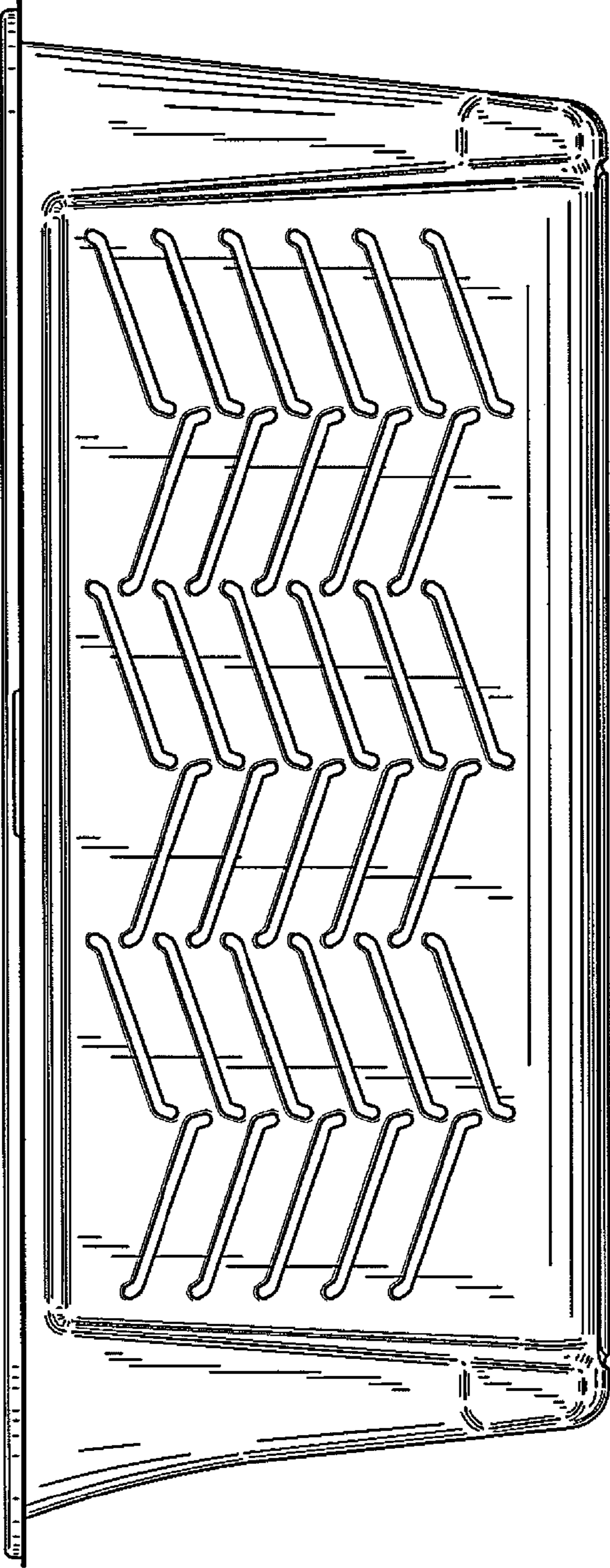


Fig. 9

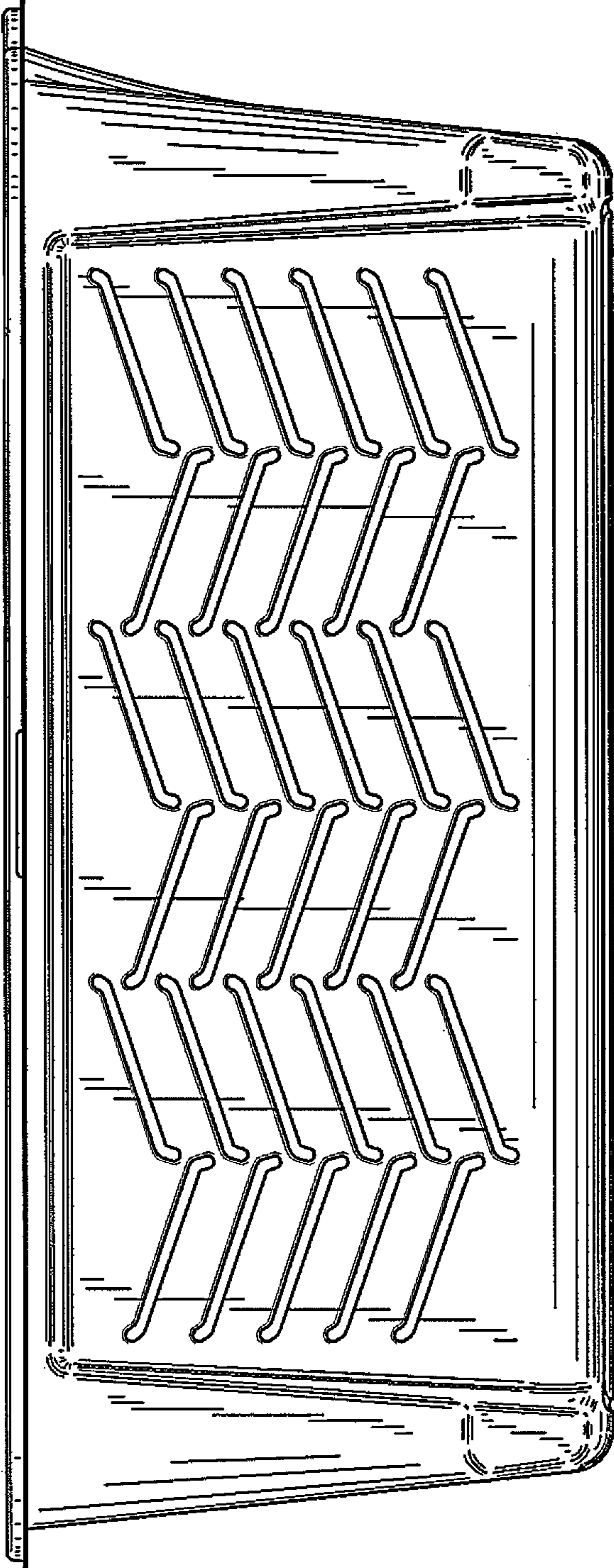


Fig. 10

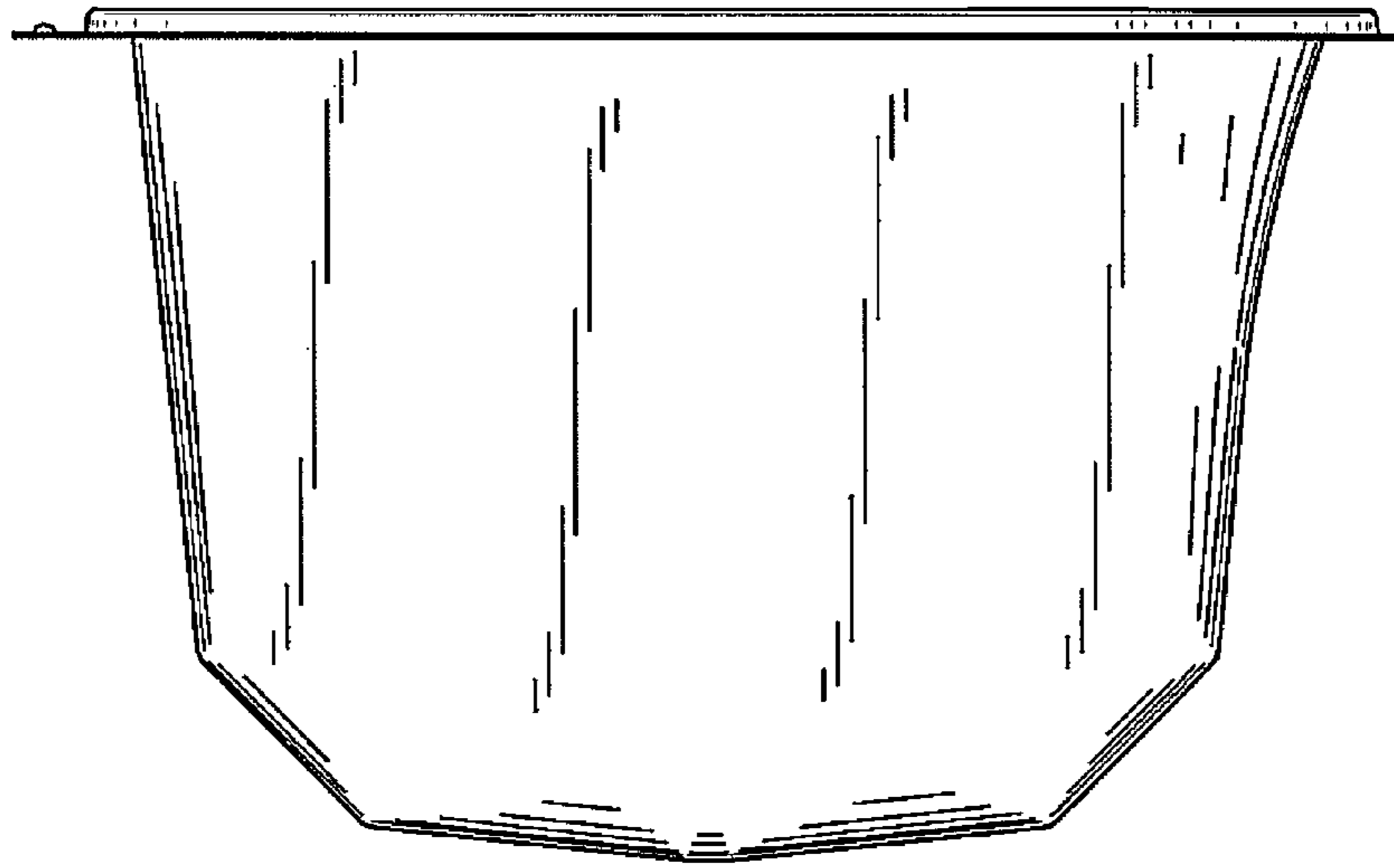


Fig. 11

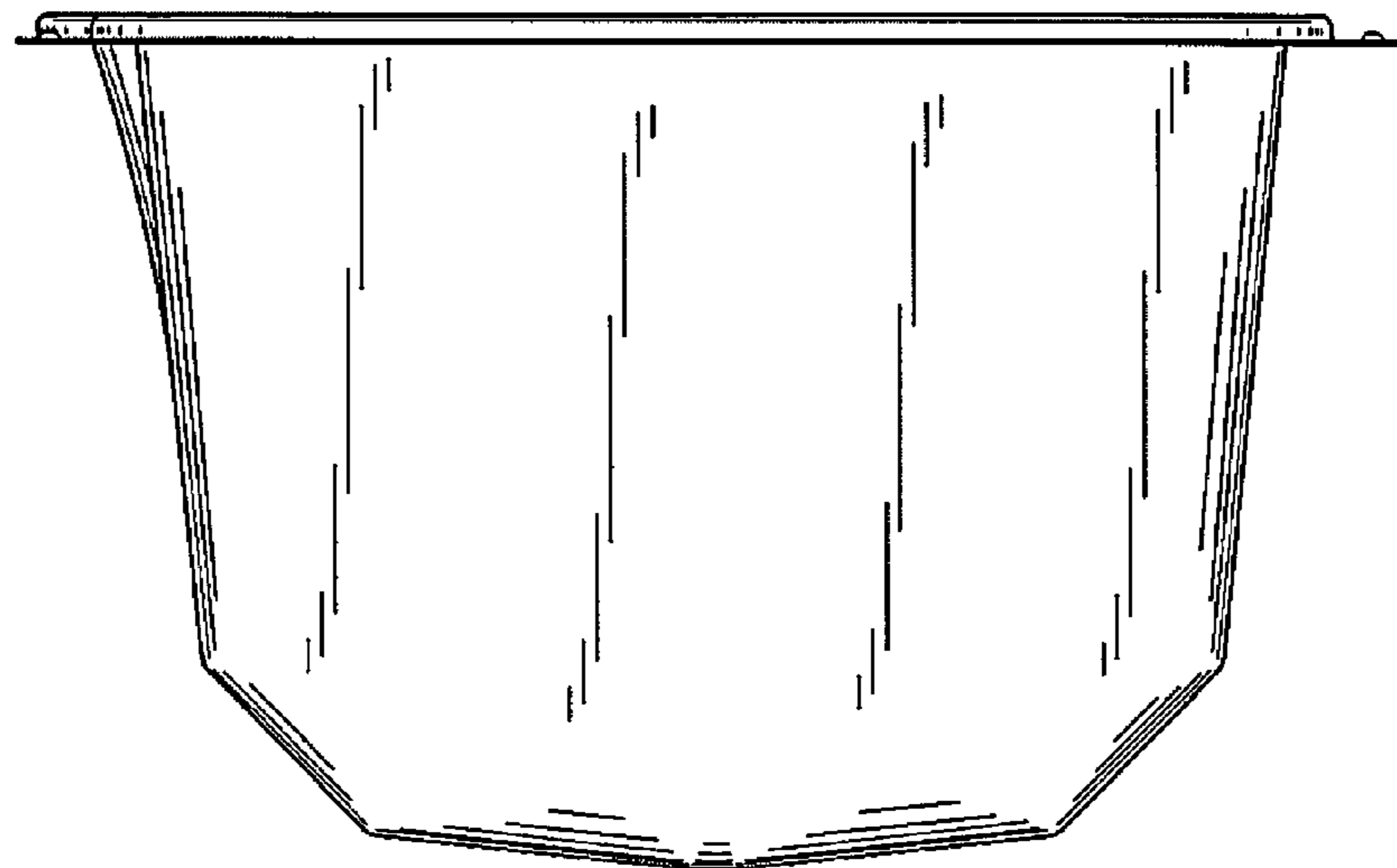


Fig. 12

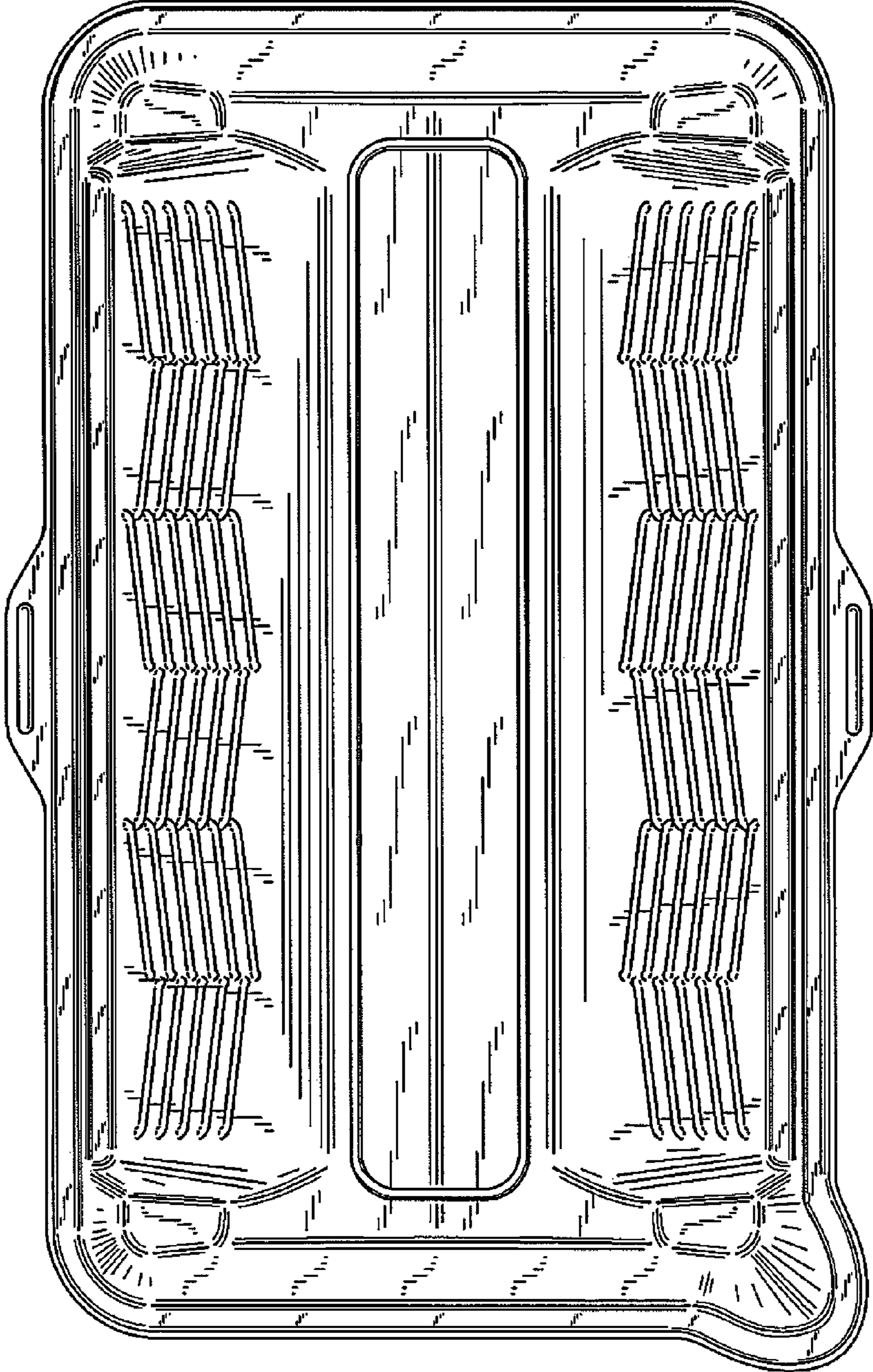


Fig. 13

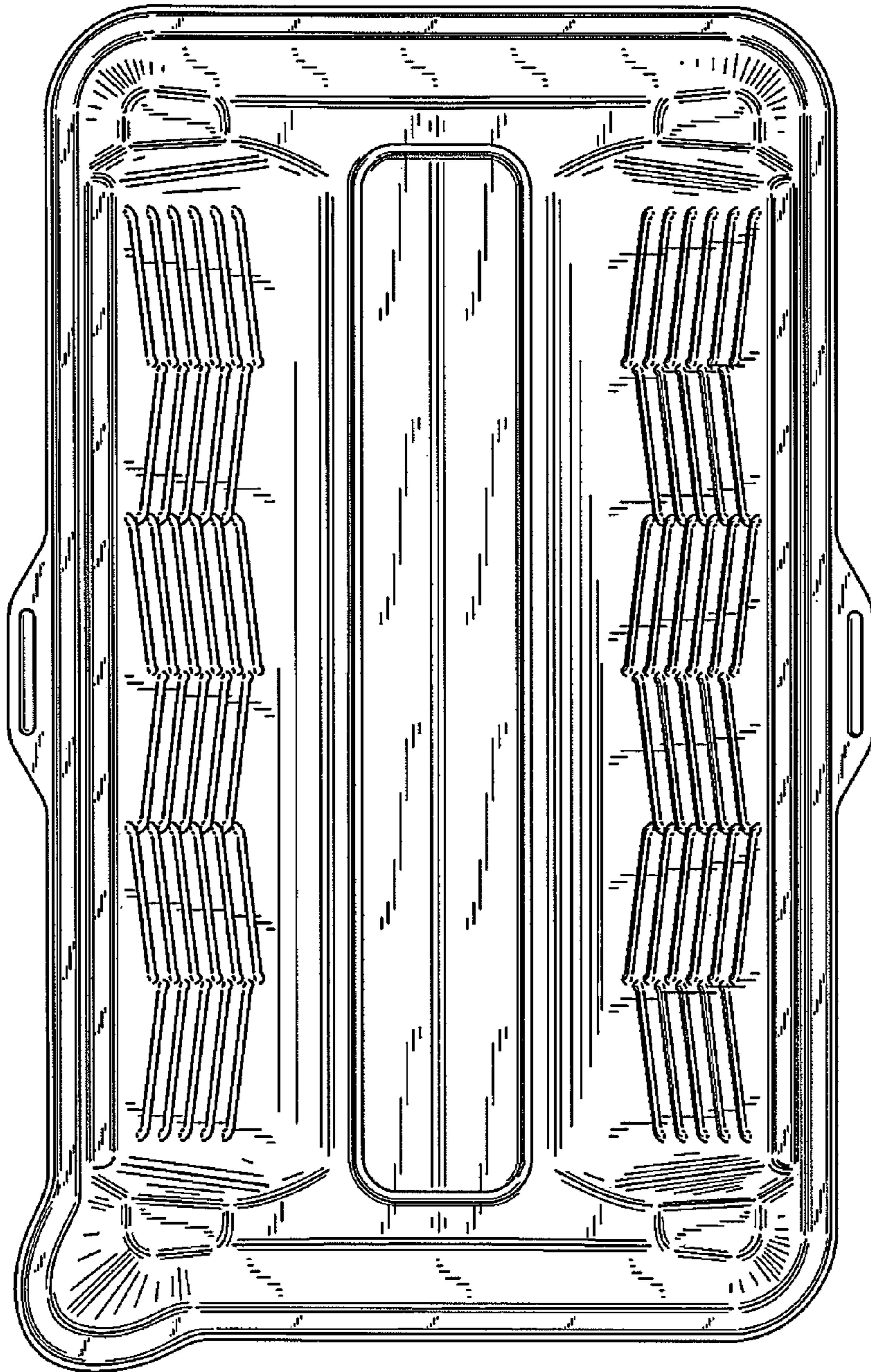


Fig. 14