



US00D728883S

(12) **United States Design Patent**  
**Kempton**

(10) **Patent No.:** **US D728,883 S**

(45) **Date of Patent:** **\*\* May 5, 2015**

(54) **PAINT BRUSH AND PAINT ROLLER WASH BOX**

(71) Applicant: **Clary Jay Kempton**, Dartmouth (CA)

(72) Inventor: **Clary Jay Kempton**, Dartmouth (CA)

(\*\*) Term: **14 Years**

(21) Appl. No.: **29/483,070**

(22) Filed: **Feb. 25, 2014**

(30) **Foreign Application Priority Data**

Jan. 29, 2014 (CA) ..... 154973  
(51) **LOC (10) Cl.** ..... **07-07**

(52) **U.S. Cl.**  
USPC ..... **D32/53.1**

(58) **Field of Classification Search**  
USPC ..... D32/53-54; 15/119.1, 120.1, 260-264;  
220/570, 904; 141/106  
See application file for complete search history.

(56) **References Cited**

**U.S. PATENT DOCUMENTS**

D202,134 S \* 8/1965 Bryan ..... D32/53.1

4,756,439 A \* 7/1988 Perock ..... 68/233  
D355,287 S \* 2/1995 Camp, Jr. .... D32/53.1  
5,641,007 A \* 6/1997 Falk ..... 141/106  
D549,416 S \* 8/2007 Sampaio ..... D32/53  
8,167,164 B2 \* 5/2012 Peterson ..... 220/570  
D684,328 S \* 6/2013 Vasilakes et al. .... D32/53  
D703,897 S \* 4/2014 Holding et al. .... D32/53

\* cited by examiner

*Primary Examiner* — Robin V Webster

(74) *Attorney, Agent, or Firm* — Thompson Hine LLP

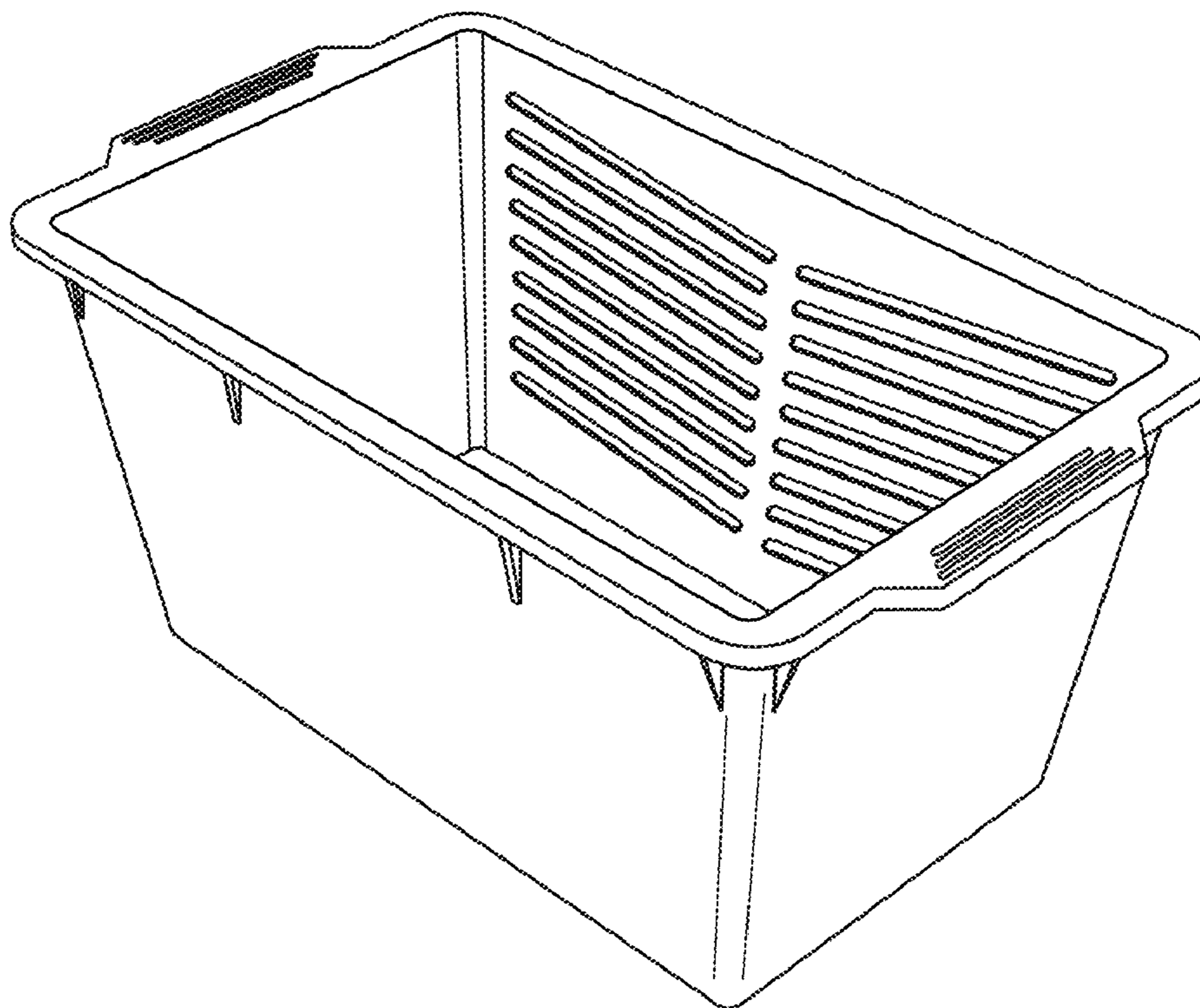
(57) **CLAIM**

The ornamental design for a paint brush and paint roller wash box, as shown.

**DESCRIPTION**

FIG. 1 is a top view of the design;  
FIG. 2 is a bottom view of the design;  
FIG. 3 is an end view of the design;  
FIG. 4 is a side view of the design;  
FIG. 5 is a front perspective view of the design; and,  
FIG. 6 is an upper perspective view of the design.

**1 Claim, 3 Drawing Sheets**



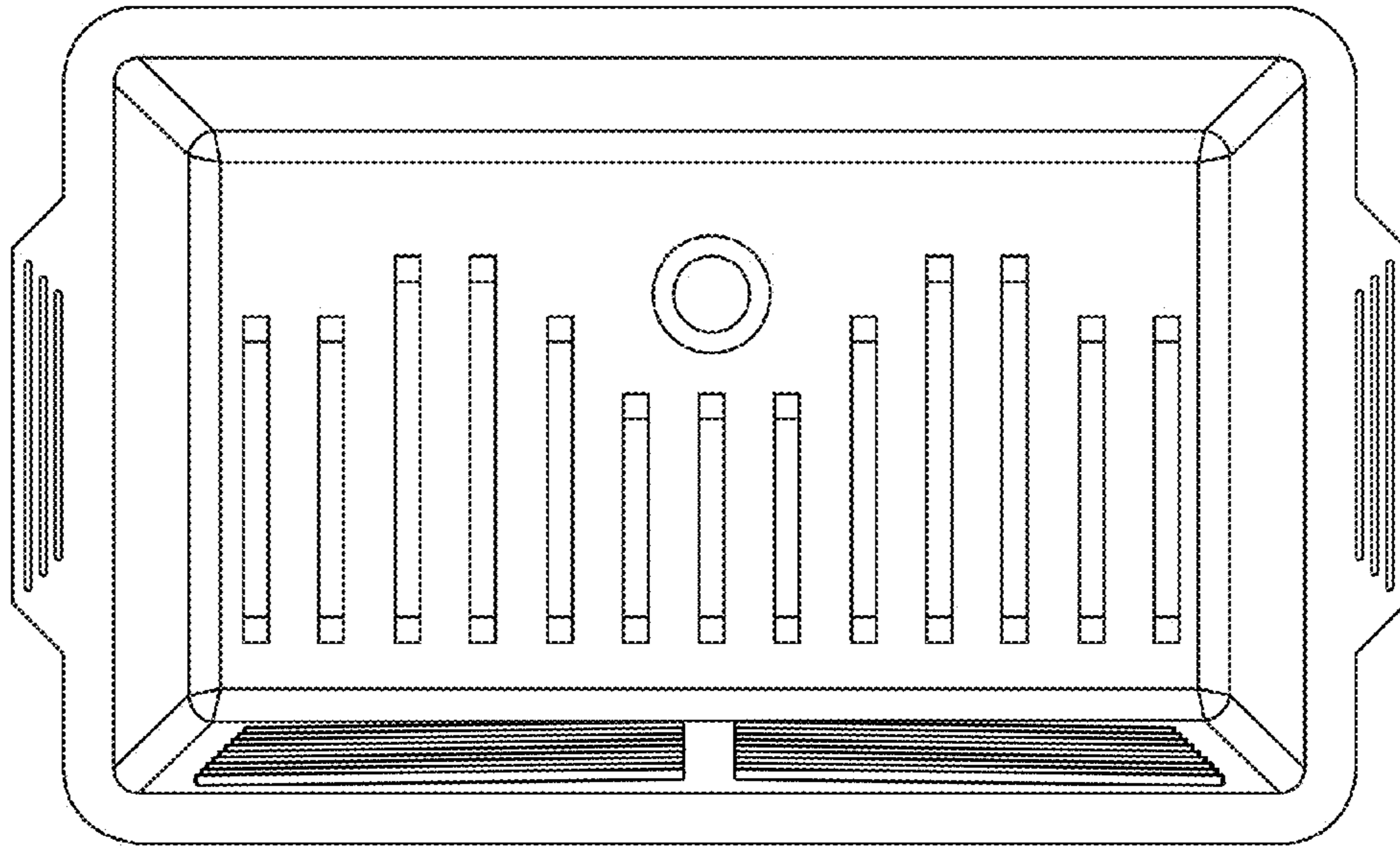


FIG. 1

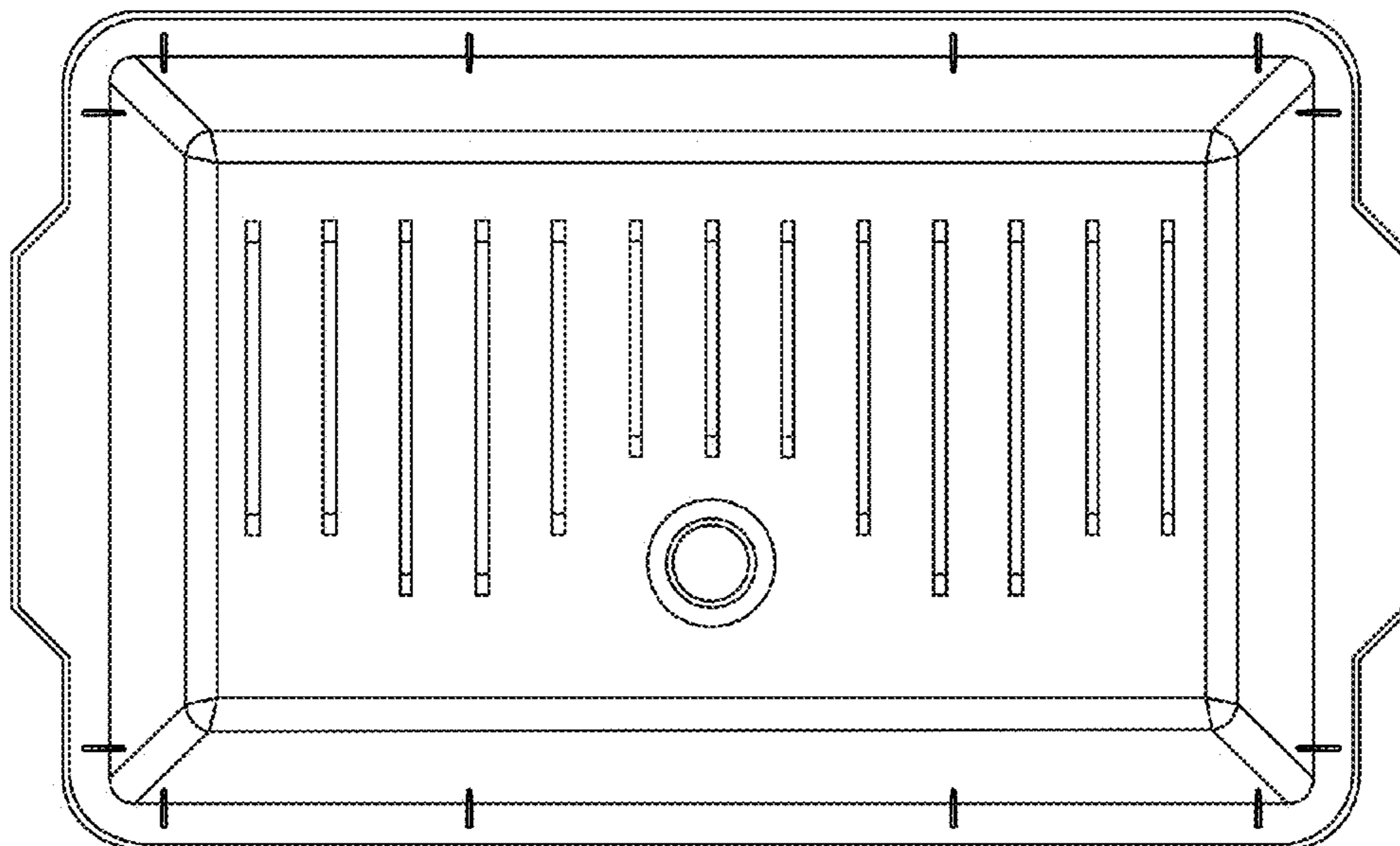


FIG. 2

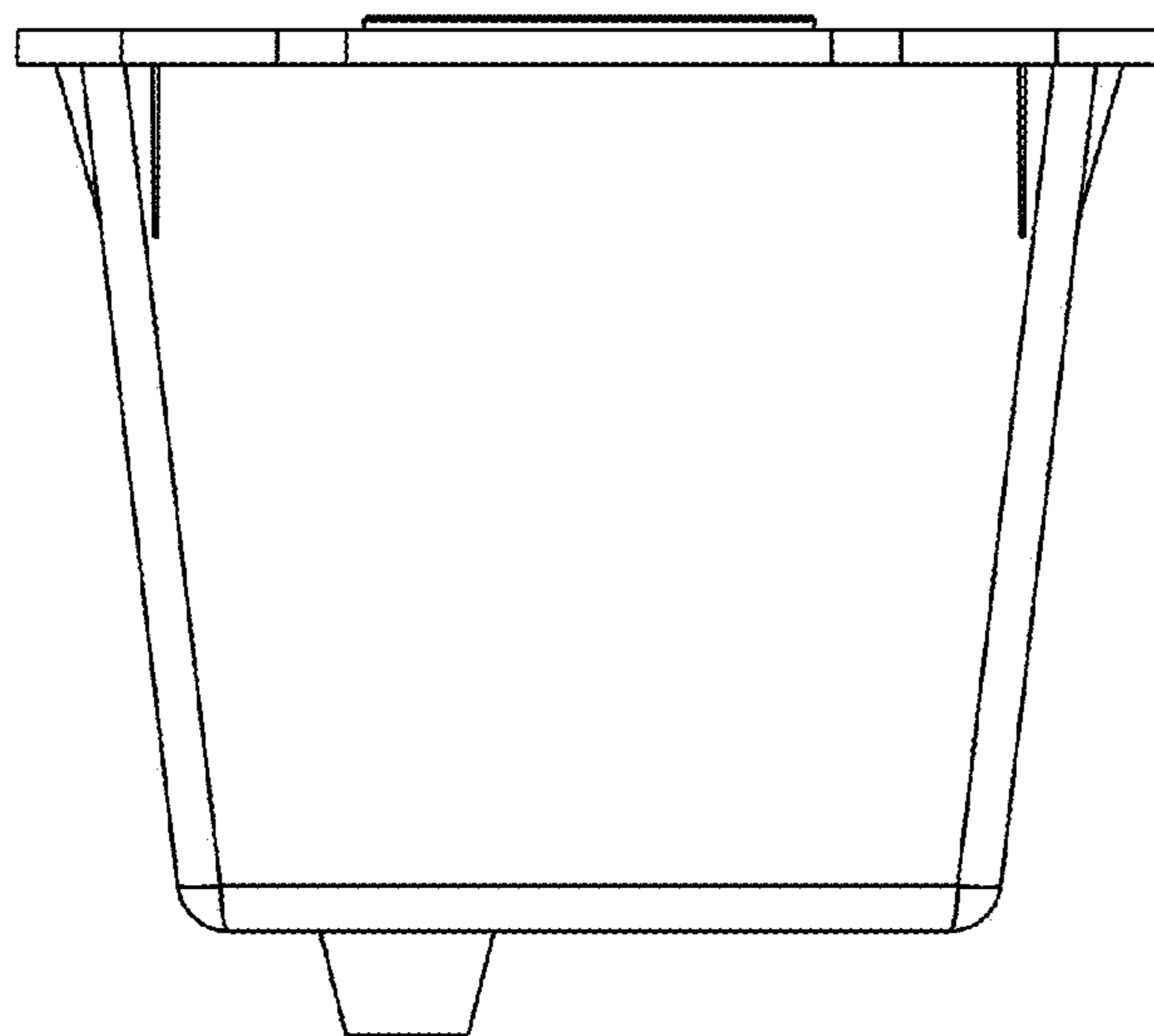


FIG. 3

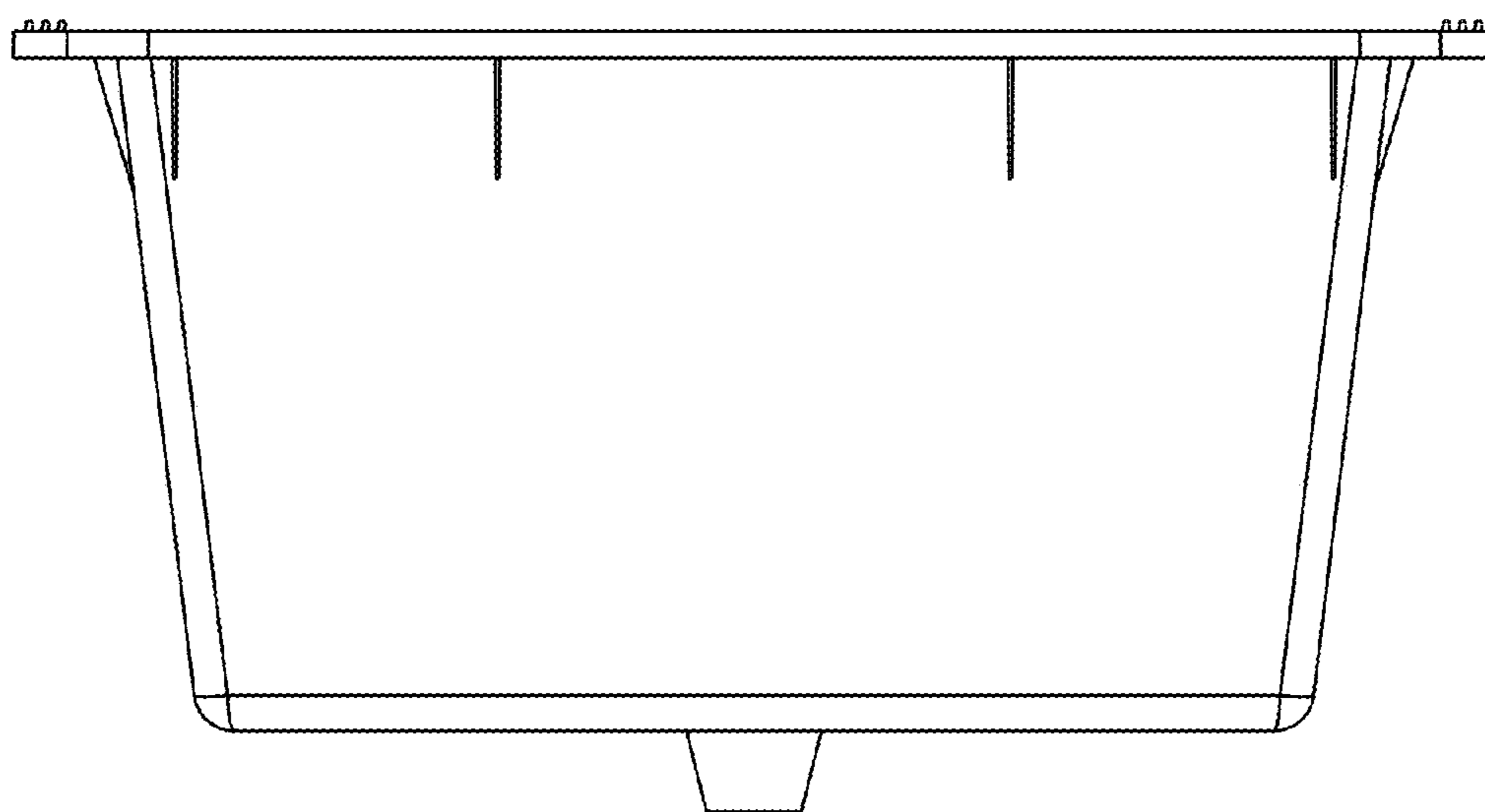


FIG. 4

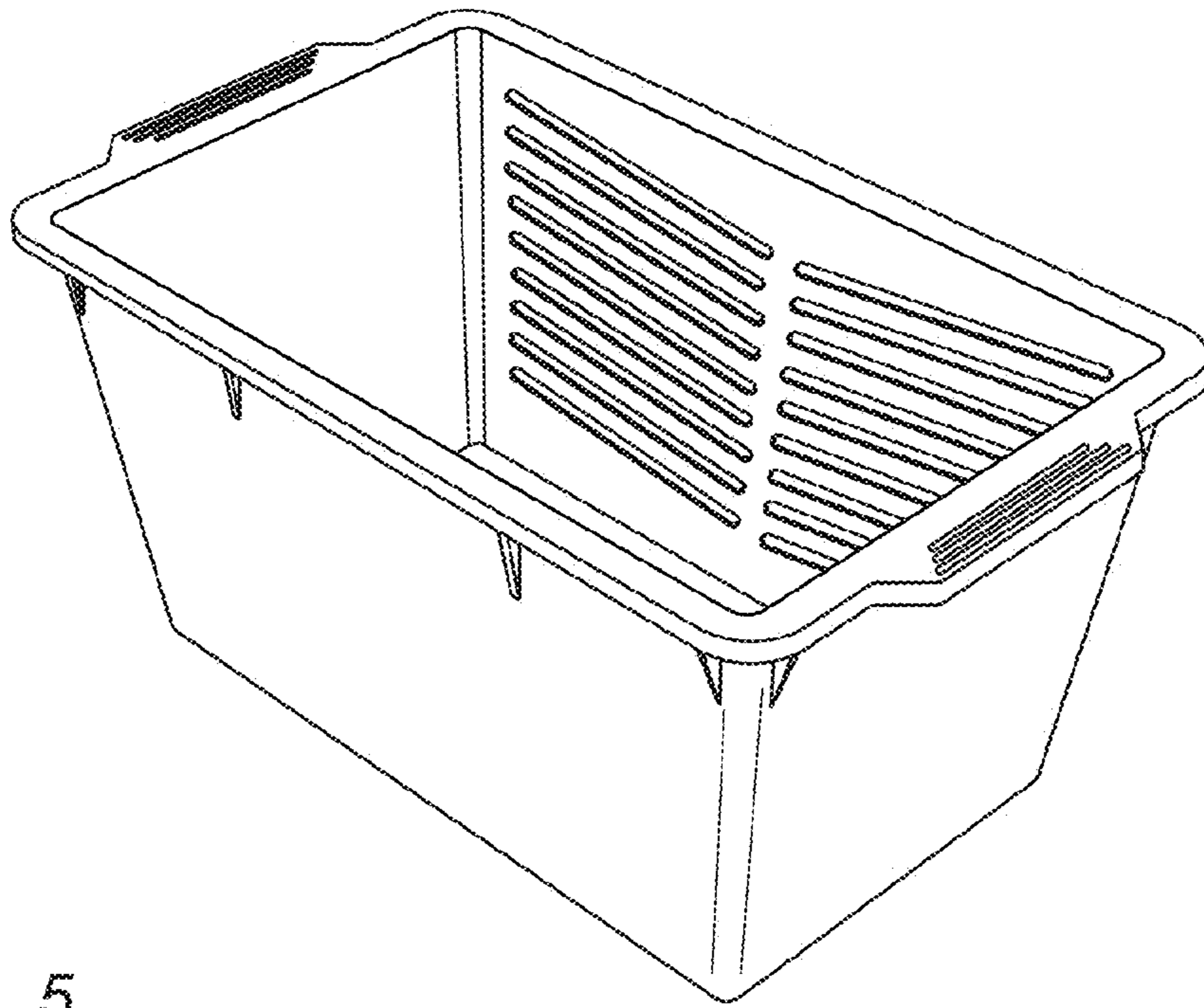


FIG. 5

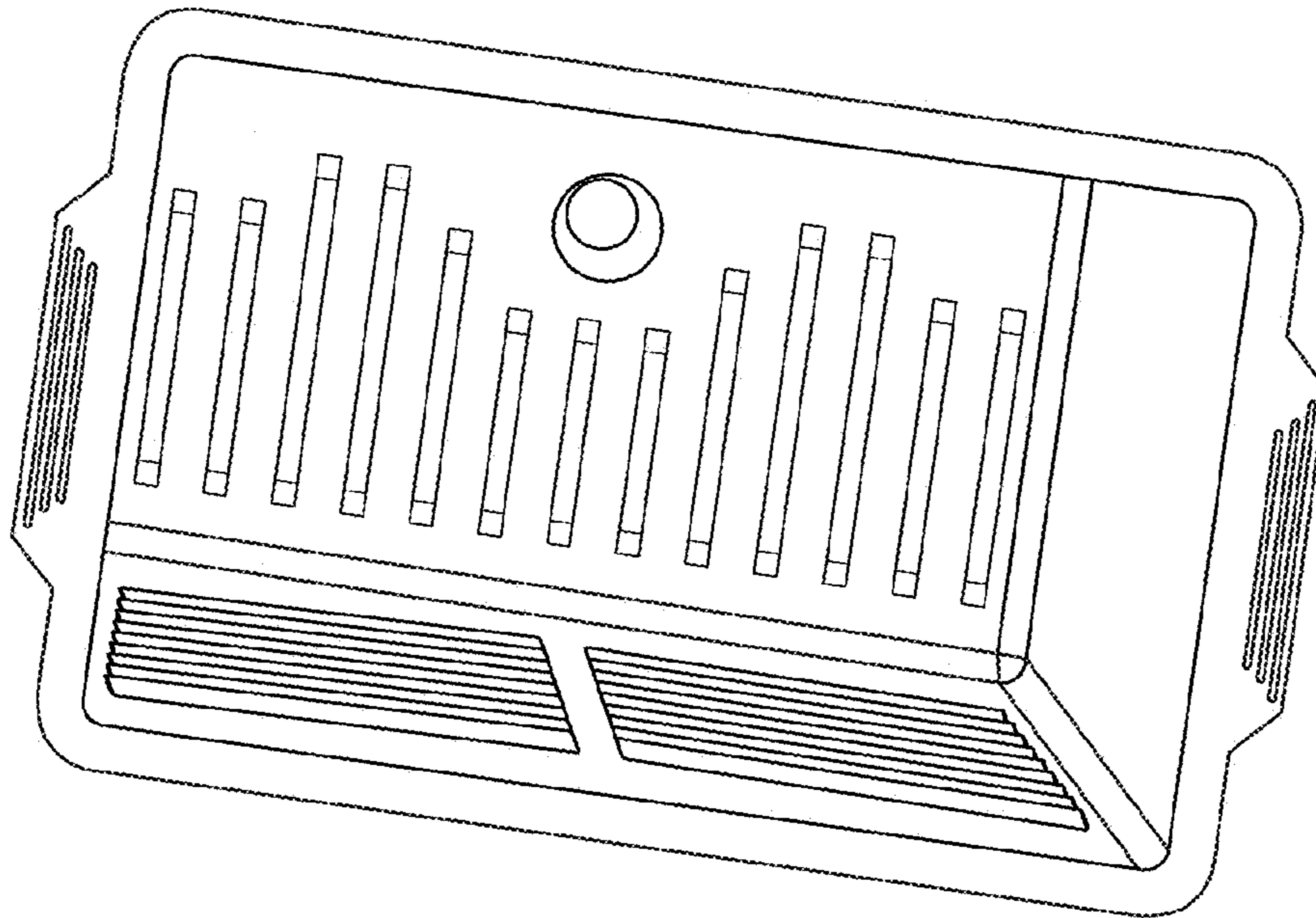


FIG. 6