



US00D728882S

(12) **United States Design Patent**
Tsai

(10) **Patent No.:** **US D728,882 S**

(45) **Date of Patent:** **** May 5, 2015**

(54) **MOP BUCKET**

(71) Applicant: **Guang'an Zeng**, Shenzhen (CN)

(72) Inventor: **Mo Tsan Tsai**, Shenzhen (CN)

(73) Assignee: **Guang'an Zeng**, Shenzhen (CN)

(**) Term: **14 Years**

(21) Appl. No.: **29/486,132**

(22) Filed: **Mar. 26, 2014**

(30) **Foreign Application Priority Data**

Sep. 26, 2013 (CN) 2013 2 0597659

(51) **LOC (10) Cl.** **07-07**

(52) **U.S. Cl.**
USPC **D32/53**

(58) **Field of Classification Search**
USPC D32/53-54; 15/119.1, 120.1, 260-264;
220/570, 904
See application file for complete search history.

(56) **References Cited**

U.S. PATENT DOCUMENTS

D407,878 S * 4/1999 Carlson D32/53
D518,262 S * 3/2006 Jurgens D32/53

D632,446 S * 2/2011 Tseng D32/53
D645,628 S * 9/2011 Tseng D32/53
D647,268 S * 10/2011 Chen D32/53
8,156,607 B2 * 4/2012 Chiang 15/260
8,239,997 B2 * 8/2012 Lin 15/260
8,291,544 B2 * 10/2012 Chen et al. 15/260
8,327,502 B2 * 12/2012 Tsai 15/260
8,407,849 B2 * 4/2013 Chen 15/260
D693,080 S * 11/2013 Shao D32/53
D707,003 S * 6/2014 Dingert D32/53

* cited by examiner

Primary Examiner — Robin V Webster

(74) *Attorney, Agent, or Firm* — Alston & Bird LLP

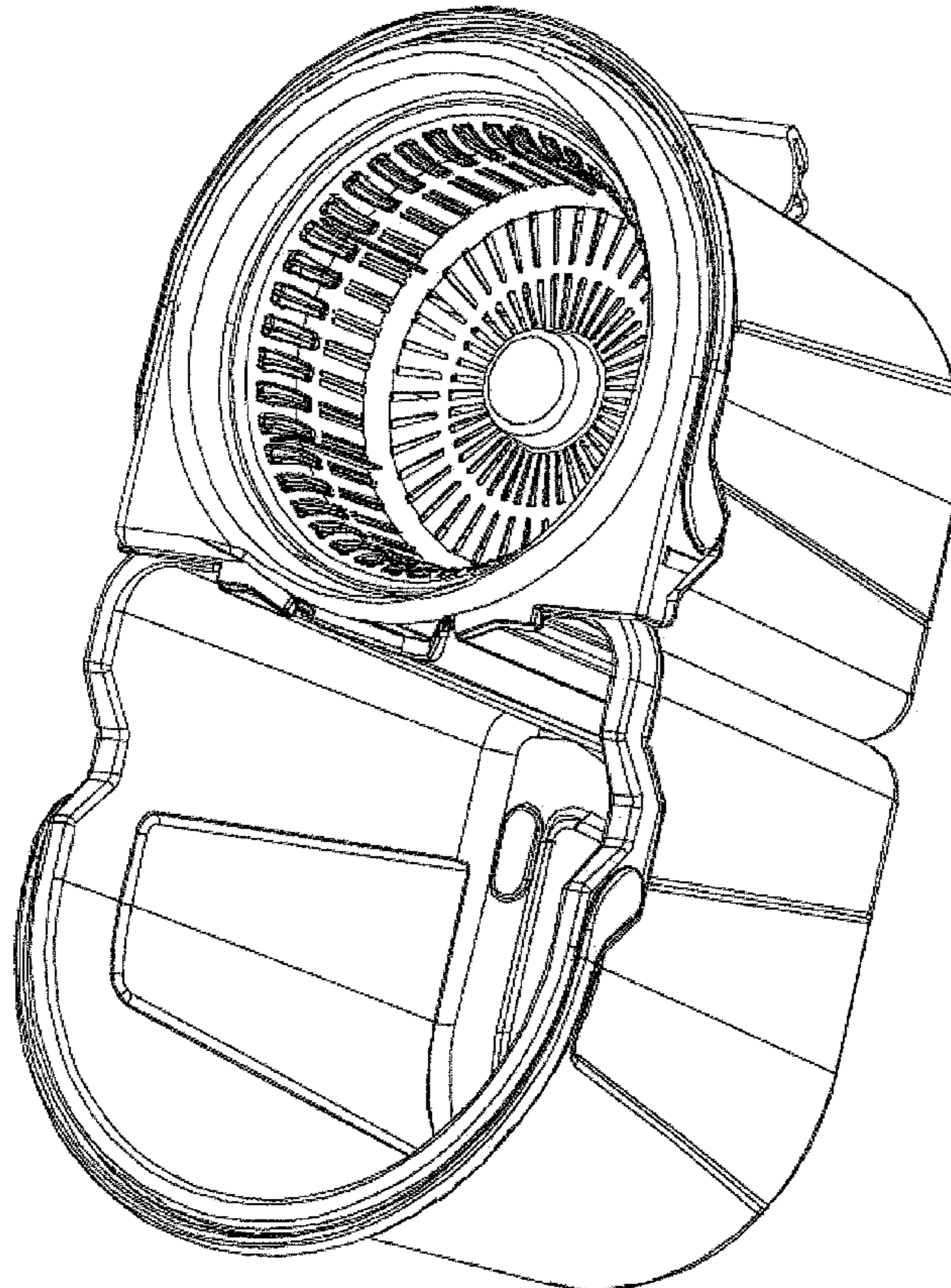
(57) **CLAIM**

I claim the ornamental design for a mop bucket, as shown and described.

DESCRIPTION

FIG. 1 is a perspective view of a mop bucket showing the new design;
FIG. 2 is a front elevation view thereof;
FIG. 3 is a rear elevation view thereof;
FIG. 4 is a left side elevation view thereof;
FIG. 5 is a right side elevation view thereof;
FIG. 6 is a top plan view thereof; and,
FIG. 7 is a bottom plan view thereof.

1 Claim, 7 Drawing Sheets



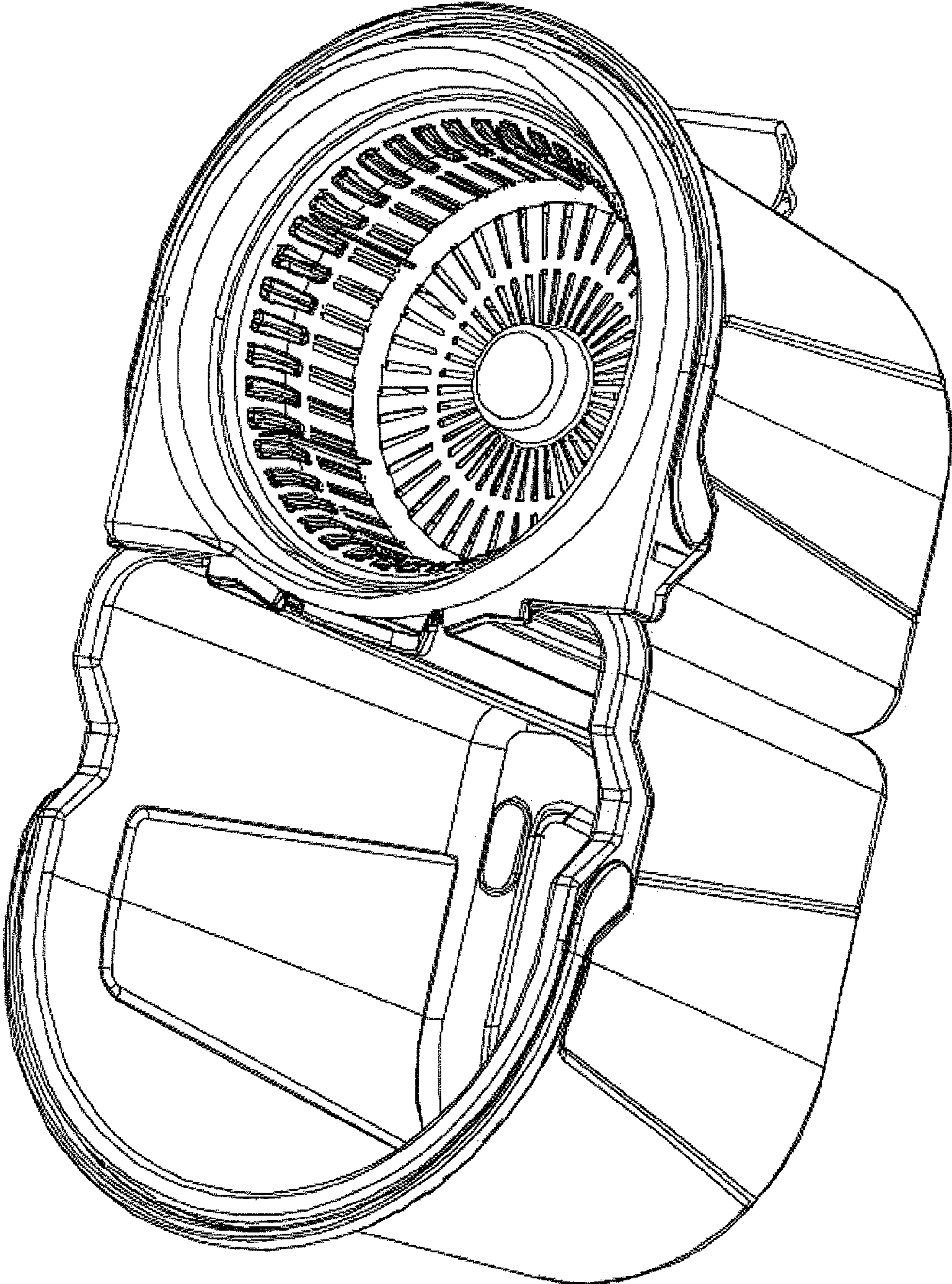


FIG. 1

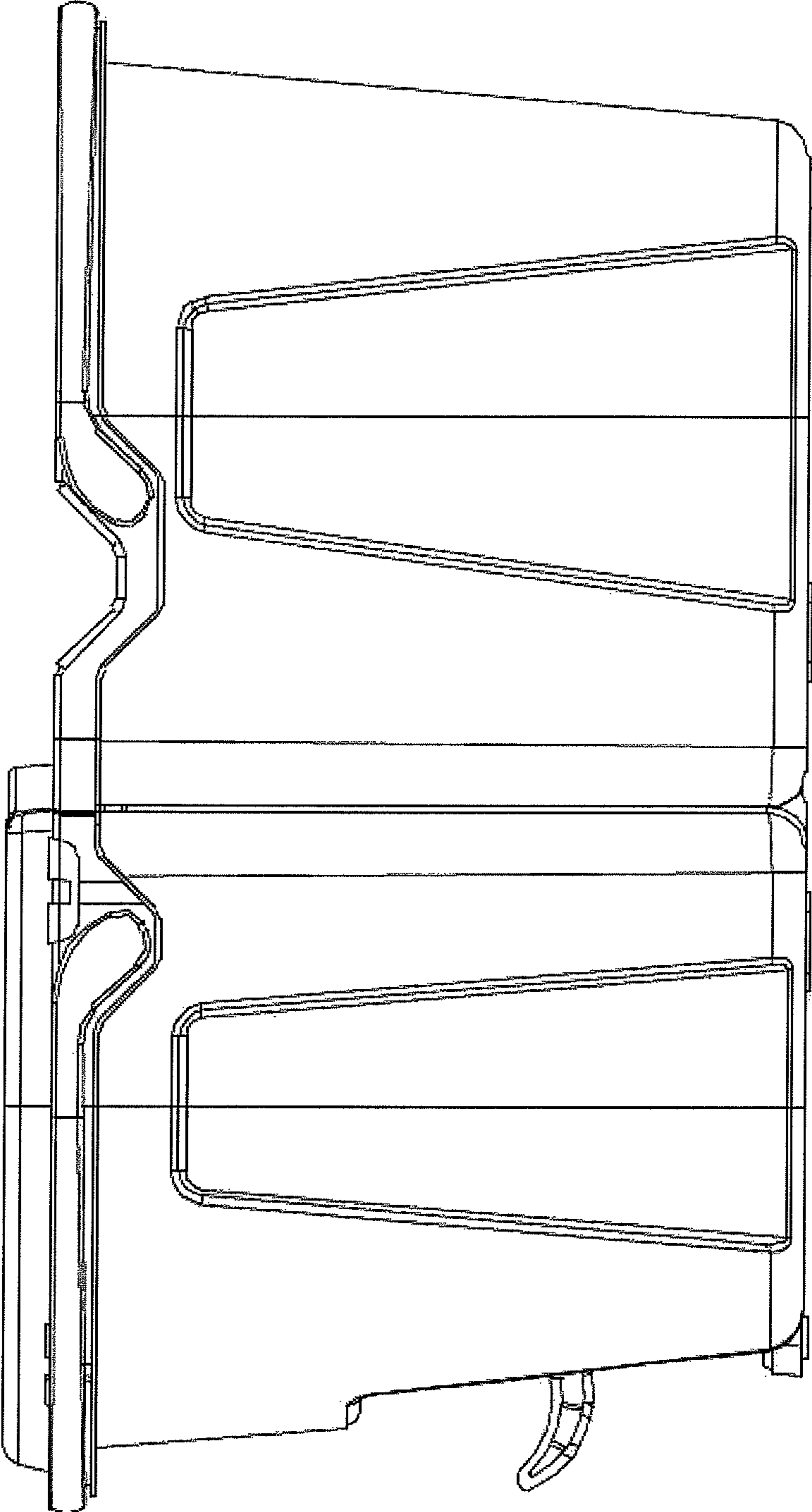


FIG. 2

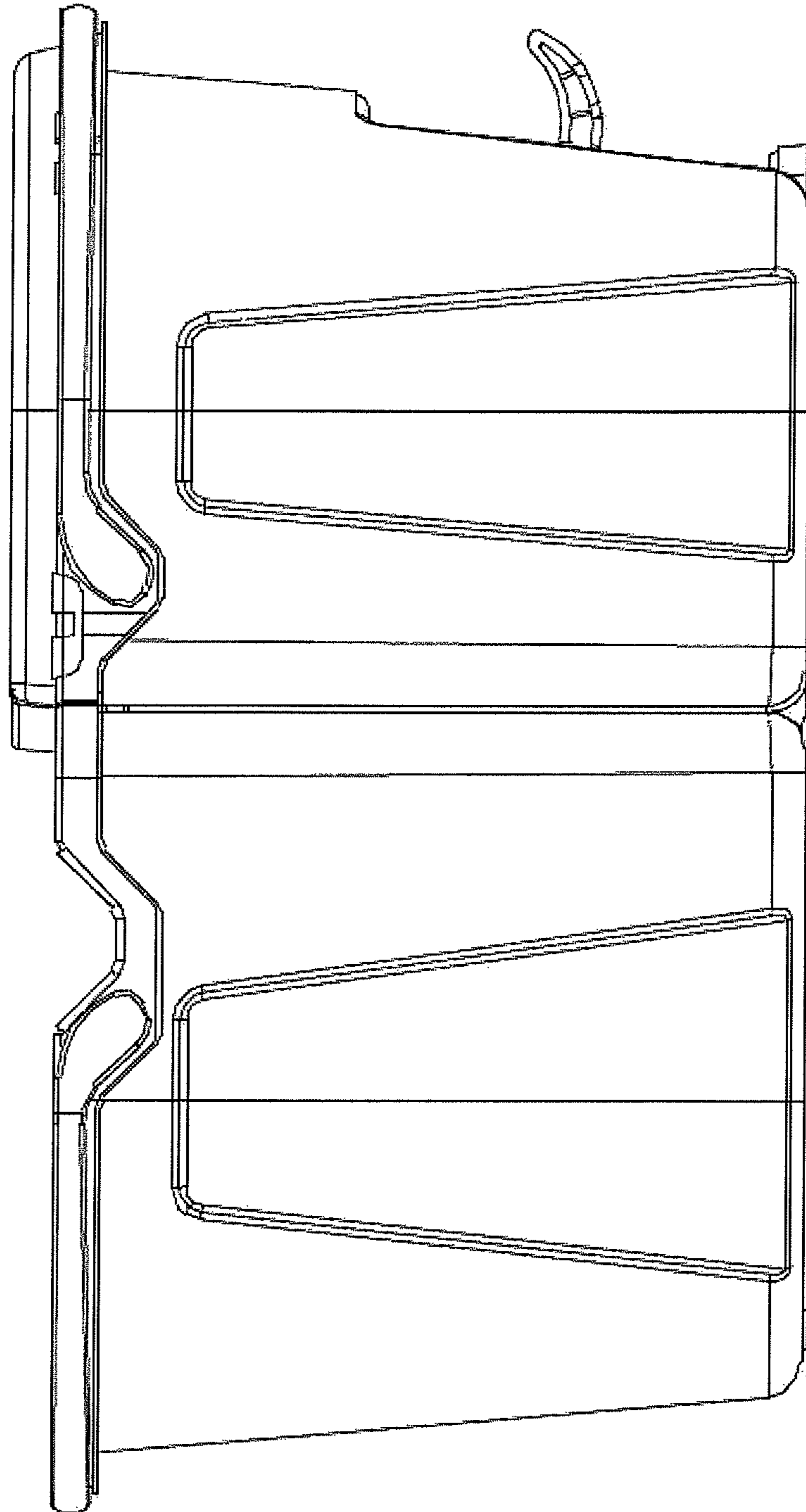


FIG. 3

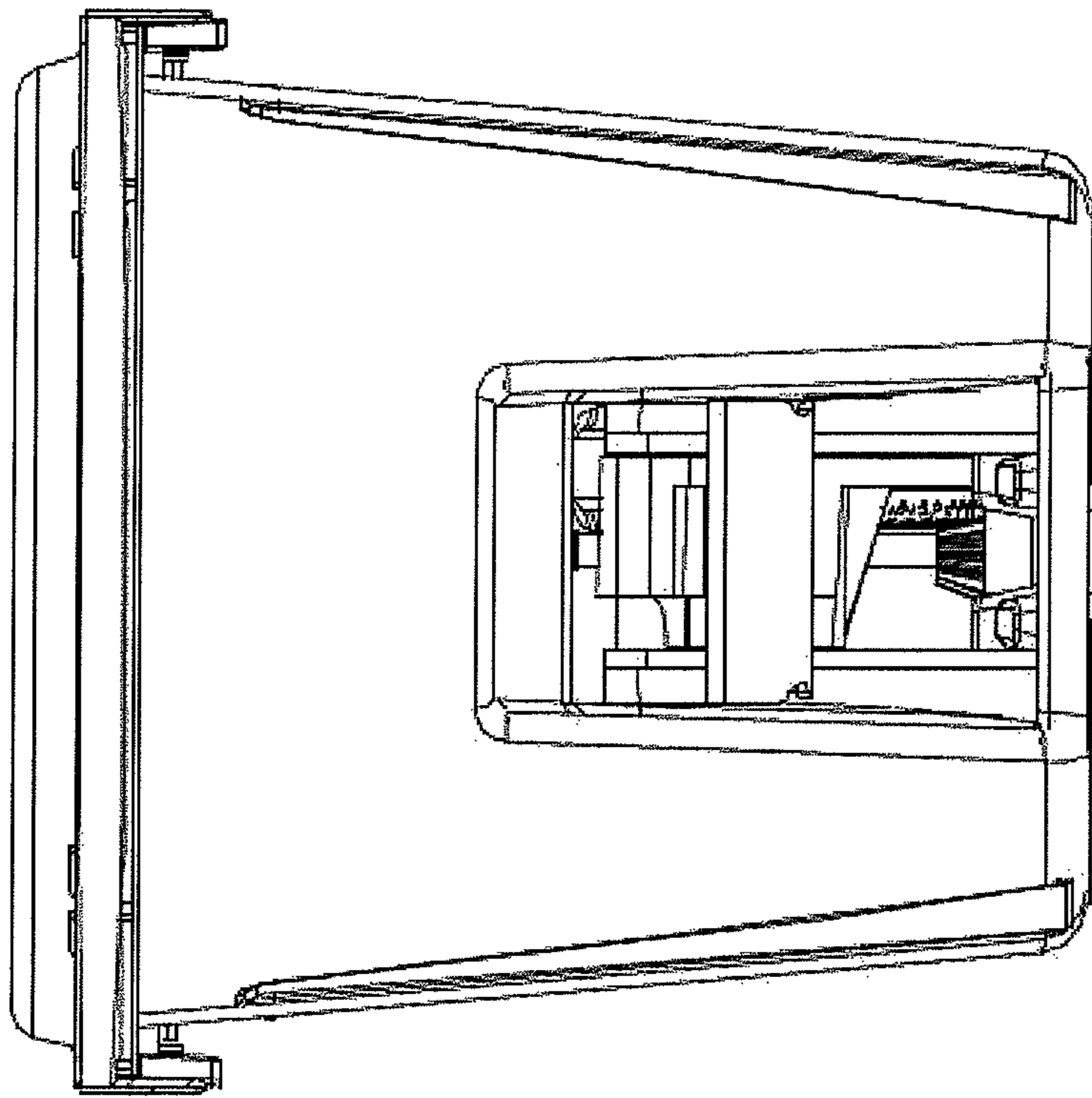


FIG. 4

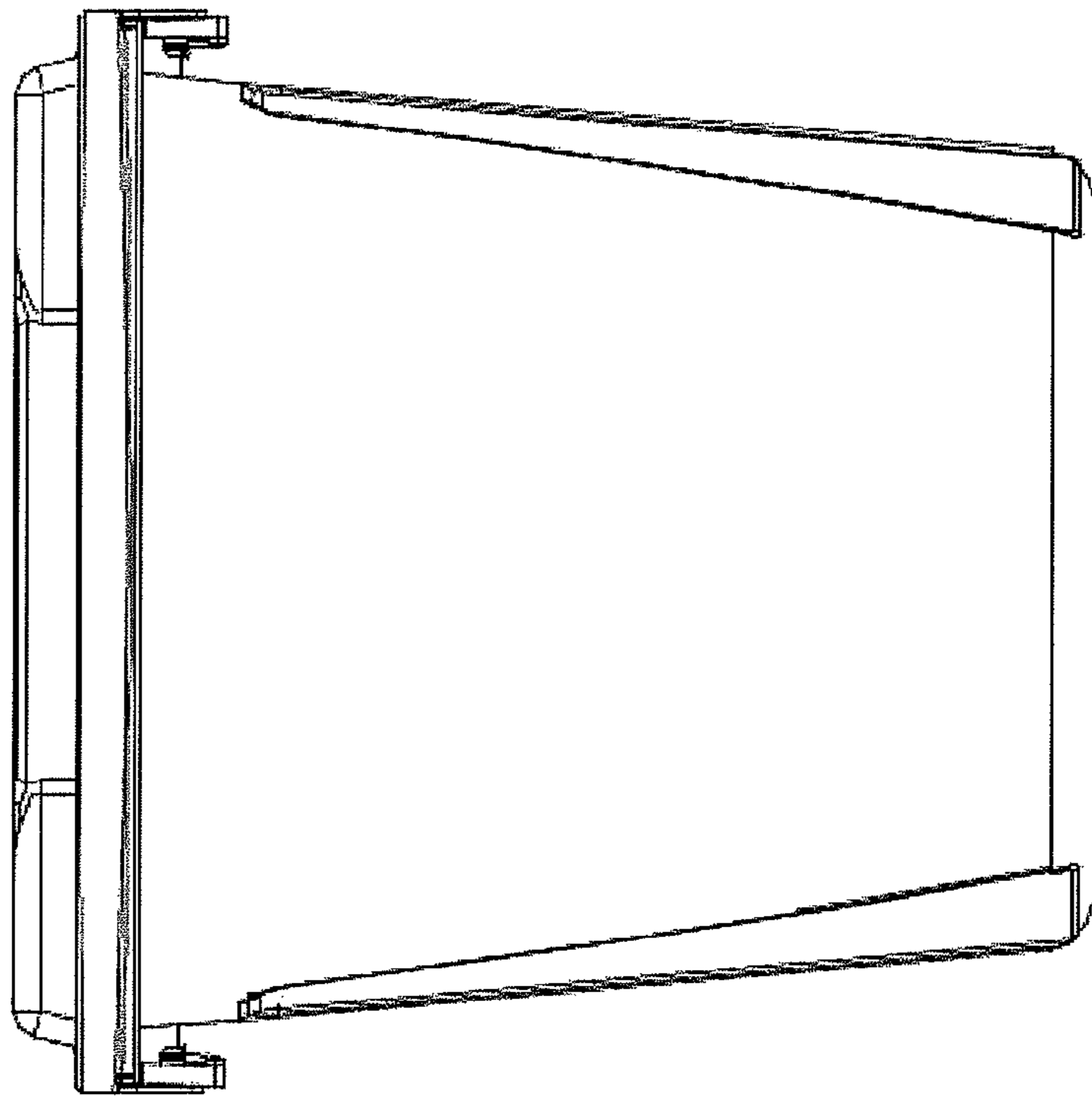


FIG. 5

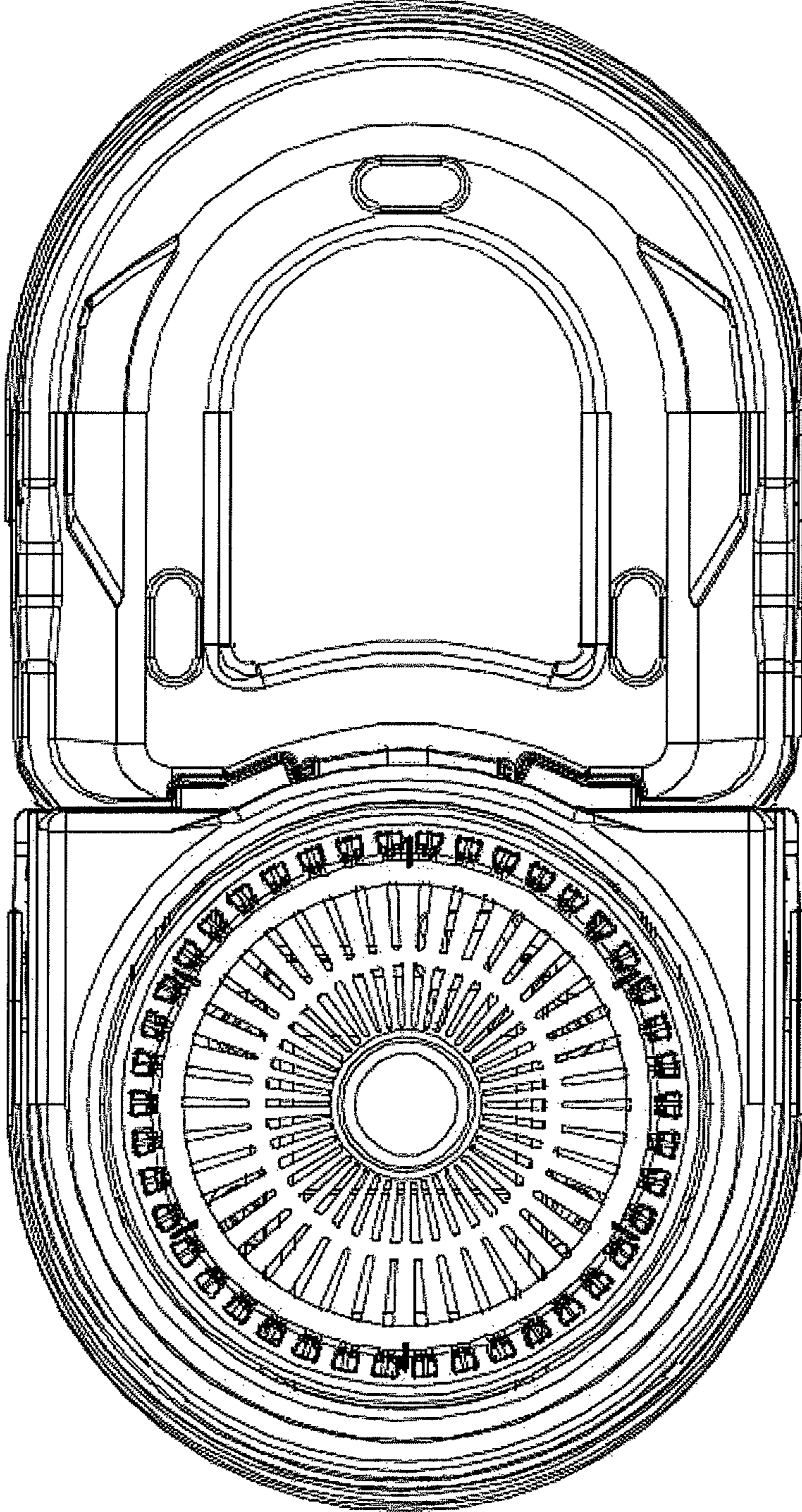


FIG. 6

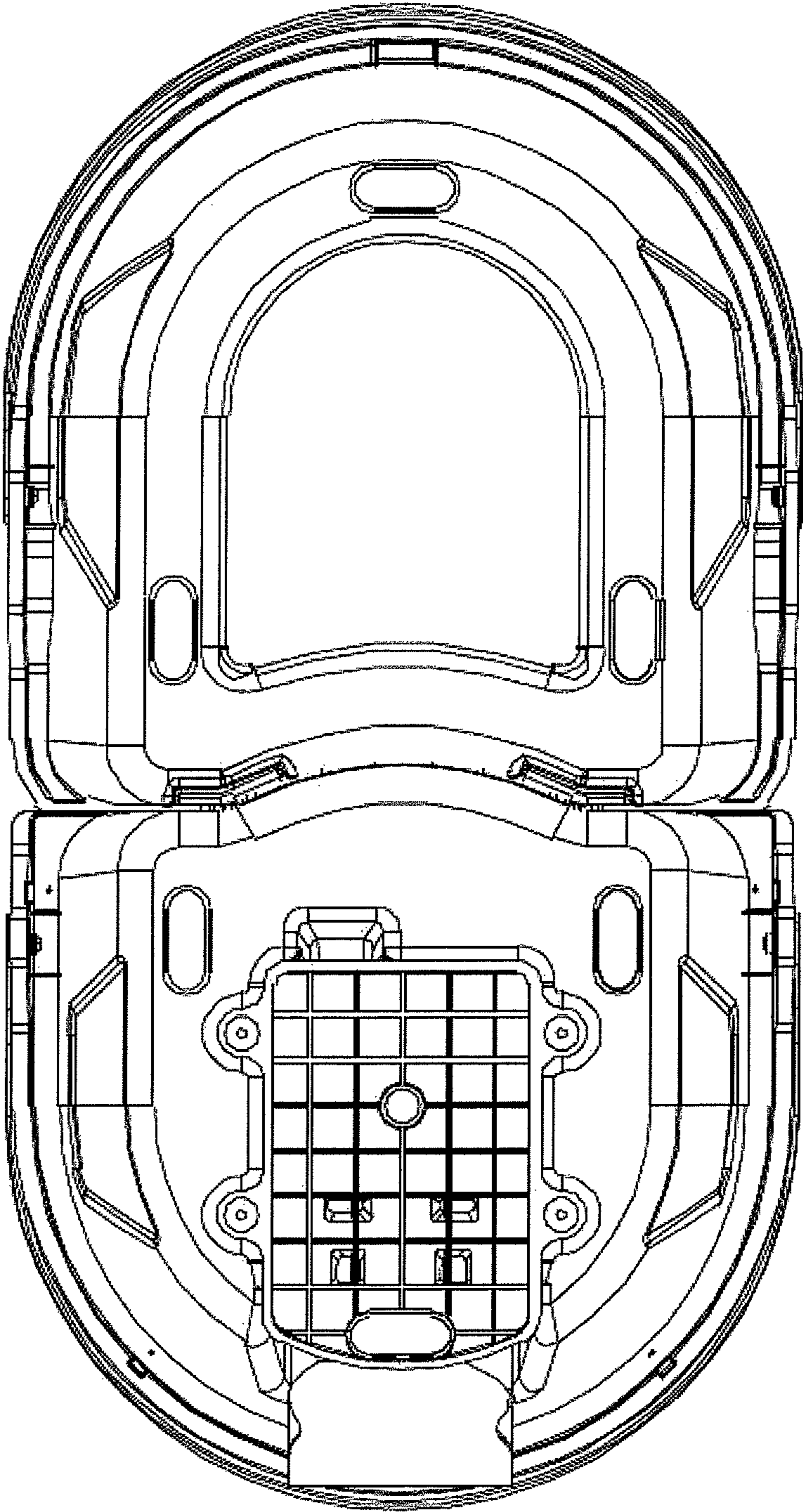


FIG. 7