

US00D728880S

(12) **United States Design Patent**  
**Mishan et al.**

(10) **Patent No.:** **US D728,880 S**  
(45) **Date of Patent:** **\*\* May 5, 2015**

- (54) **CLEANING HEAD HOLDER**
- (71) Applicant: **Dylan Mishan**, New York, NY (US)
- (72) Inventors: **Dylan Mishan**, New York, NY (US);  
**Stuart Harvey Lee**, Forest Hills, NY (US); **Jochen Schaeppers**, New York, NY (US)
- (73) Assignee: **Dylan Mishan**, New York, NY (US)

D397,833	S	*	9/1998	Adams Zurawin	.....	D32/53.1
D461,288	S	*	8/2002	Tennant	.....	D32/53.1
D486,279	S	*	2/2004	Chen	.....	D32/17
6,848,587	B1	*	2/2005	Chao	.....	211/70.6
7,963,418	B2	*	6/2011	Arvinte et al.	.....	220/570
D654,237	S	*	2/2012	Vrdoljak	.....	D32/32
8,567,616	B2	*	10/2013	Mishan et al.	.....	211/70.6
8,584,848	B1	*	11/2013	Lee et al.	.....	206/354
2013/0068647	A1	*	3/2013	Mishan et al.	.....	206/374
2014/0246445	A1	*	9/2014	Lee et al.	.....	211/41.6
2014/0246528	A1	*	9/2014	Lee et al.	.....	241/95

(\*\*) Term: **14 Years**

(21) Appl. No.: **29/468,838**

(22) Filed: **Oct. 3, 2013**

(51) **LOC (10) Cl.** ..... **08-99**

(52) **U.S. Cl.**  
USPC ..... **D32/35**

(58) **Field of Classification Search**  
 CPC ..... A47L 13/20; A47L 13/24; A47L 13/254;  
 A47L 13/50; A47L 13/51; A47L 13/512;  
 B25G 3/00; B25G 3/12; B25G 3/20  
 USPC ..... D32/17, 32, 35, 39, 40, 42, 44, 53, 53.1,  
 D32/55, 74; D7/678; D8/349, 356, 382,  
 D8/383; D9/455; D11/208, 212, 218;  
 206/354, 356, 374; 211/41.6, 68, 70.6;  
 220/570, 571, 666; 241/95; D6/683,  
 D6/683.1

See application file for complete search history.

(56) **References Cited**

**U.S. PATENT DOCUMENTS**

69,026	A	*	9/1867	Richmond	.....	211/68
D200,699	S	*	3/1965	Pappas	.....	D6/476
4,742,909	A	*	5/1988	Apprille et al.	.....	206/356
D328,044	S	*	7/1992	Murai	.....	D11/218
D356,491	S	*	3/1995	Anscher	.....	D8/383
D386,110	S	*	11/1997	Hetrick et al.	.....	D11/218

**OTHER PUBLICATIONS**

Lynx Cleaning Dock, Prime Studio. (Jan. 24, 2013), [online], [site visited Dec. 30, 2014]. Available from internet, <URL: <http://www.primestudio.com/blog/?p=985>>.\*

\* cited by examiner

*Primary Examiner* — Jeffrey D Asch

*Assistant Examiner* — Natasha Vujcic

(74) *Attorney, Agent, or Firm* — Notaro, Michalos & Zaccaria P.C.

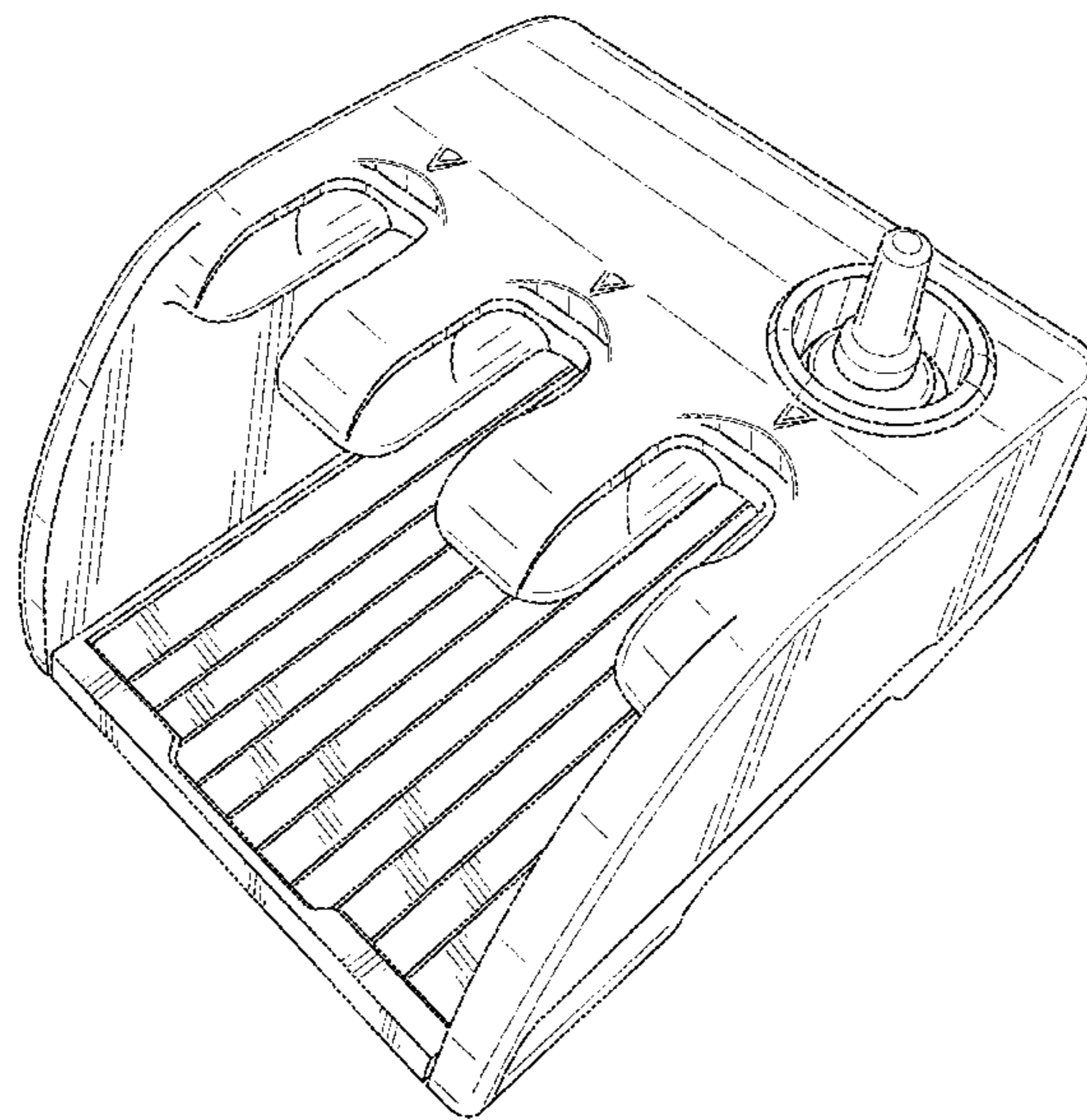
(57) **CLAIM**

The ornamental design for a cleaning head holder, as shown and described.

**DESCRIPTION**

FIG. 1 is a top, front, left, top perspective view of a cleaning head holder showing our new design therefor;  
 FIG. 2 is a bottom, front, right perspective view thereof;  
 FIG. 3 is a front elevational view thereof;  
 FIG. 4 is a rear elevational view thereof;  
 FIG. 5 is a side elevational view thereof, the opposite side being a mirror image thereof;  
 FIG. 6 is a top plan view thereof; and,  
 FIG. 7 is a bottom plan view thereof.

**1 Claim, 7 Drawing Sheets**



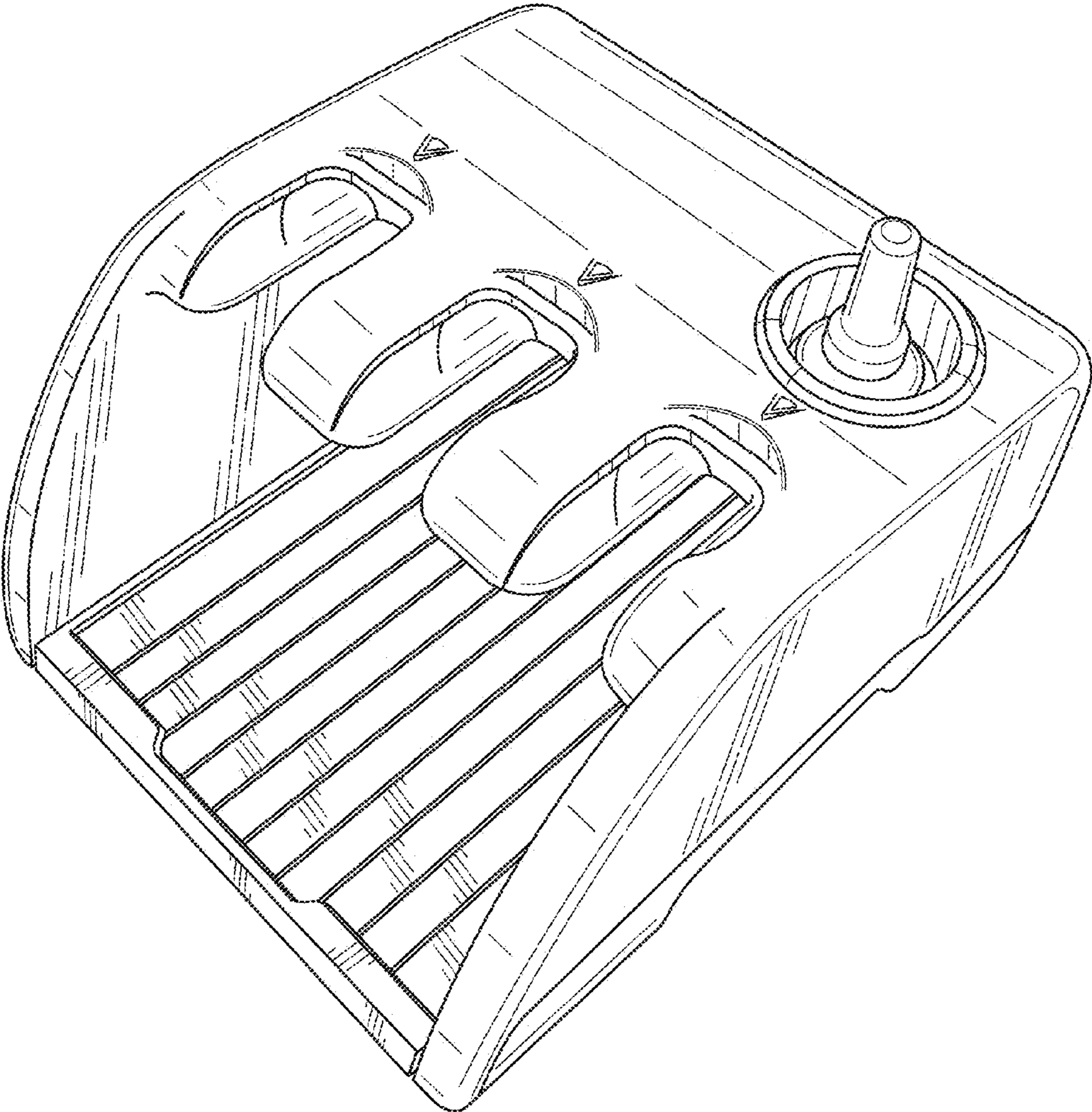


FIG. 1

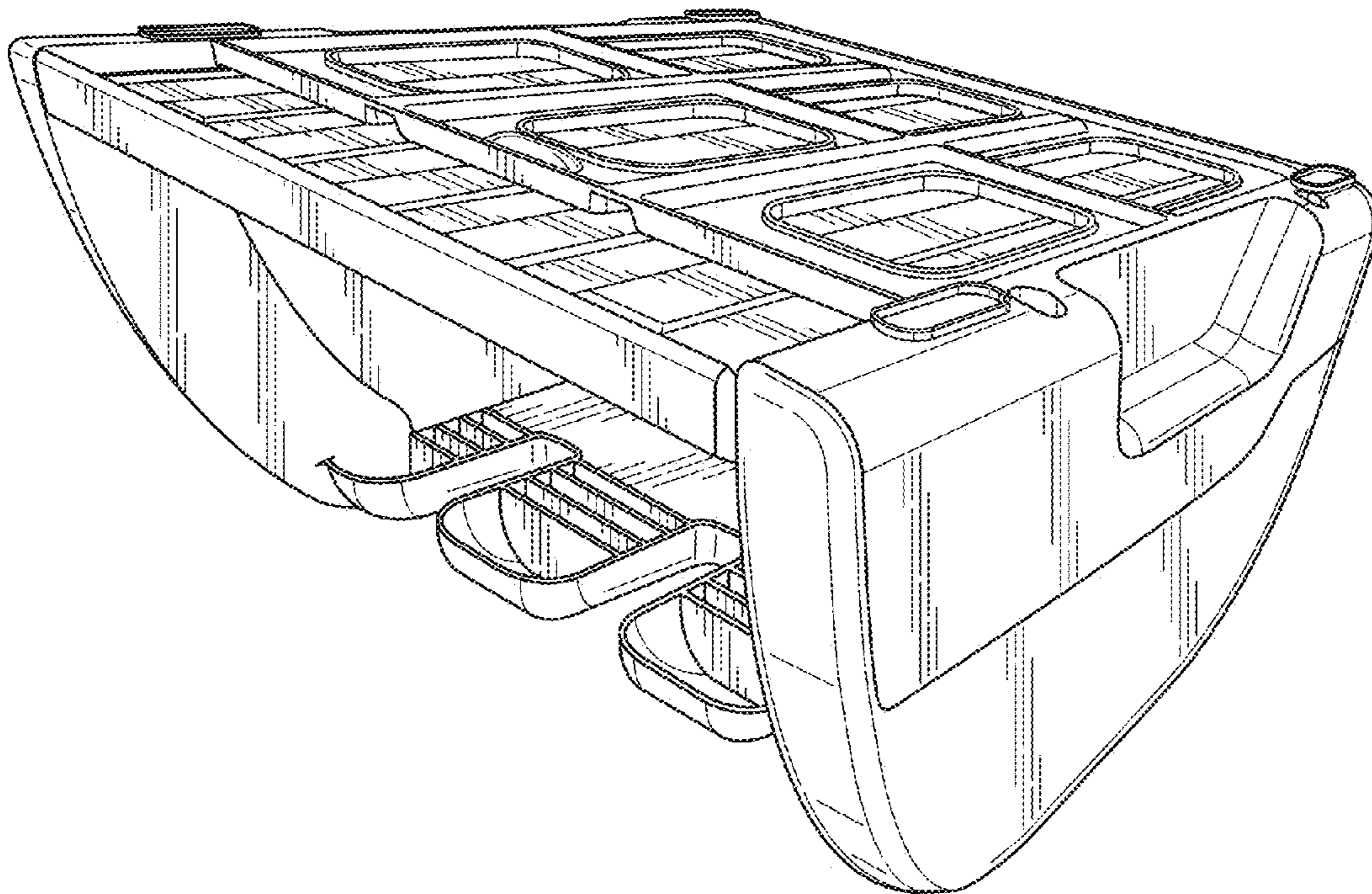


FIG. 2

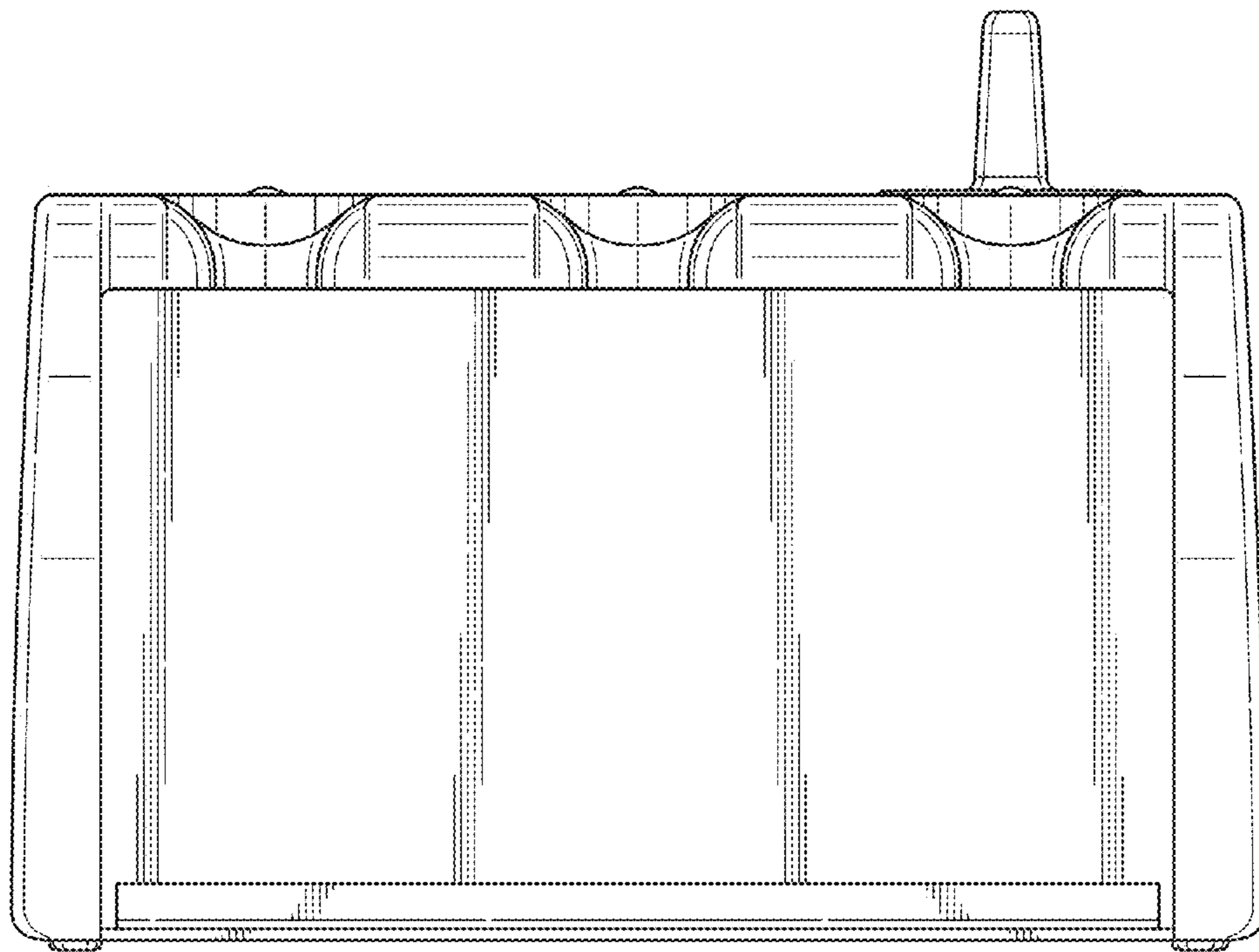


FIG. 3

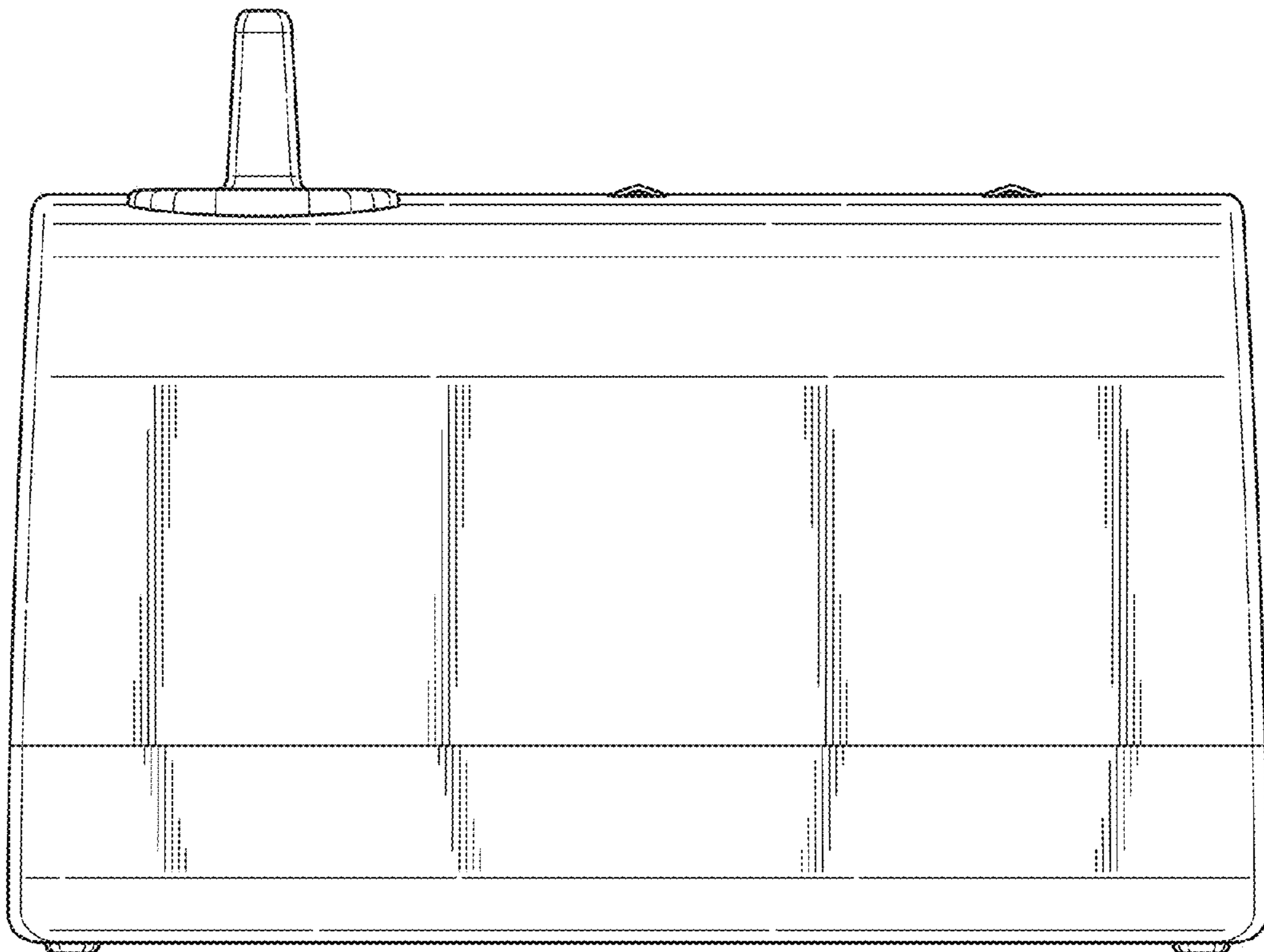


FIG. 4

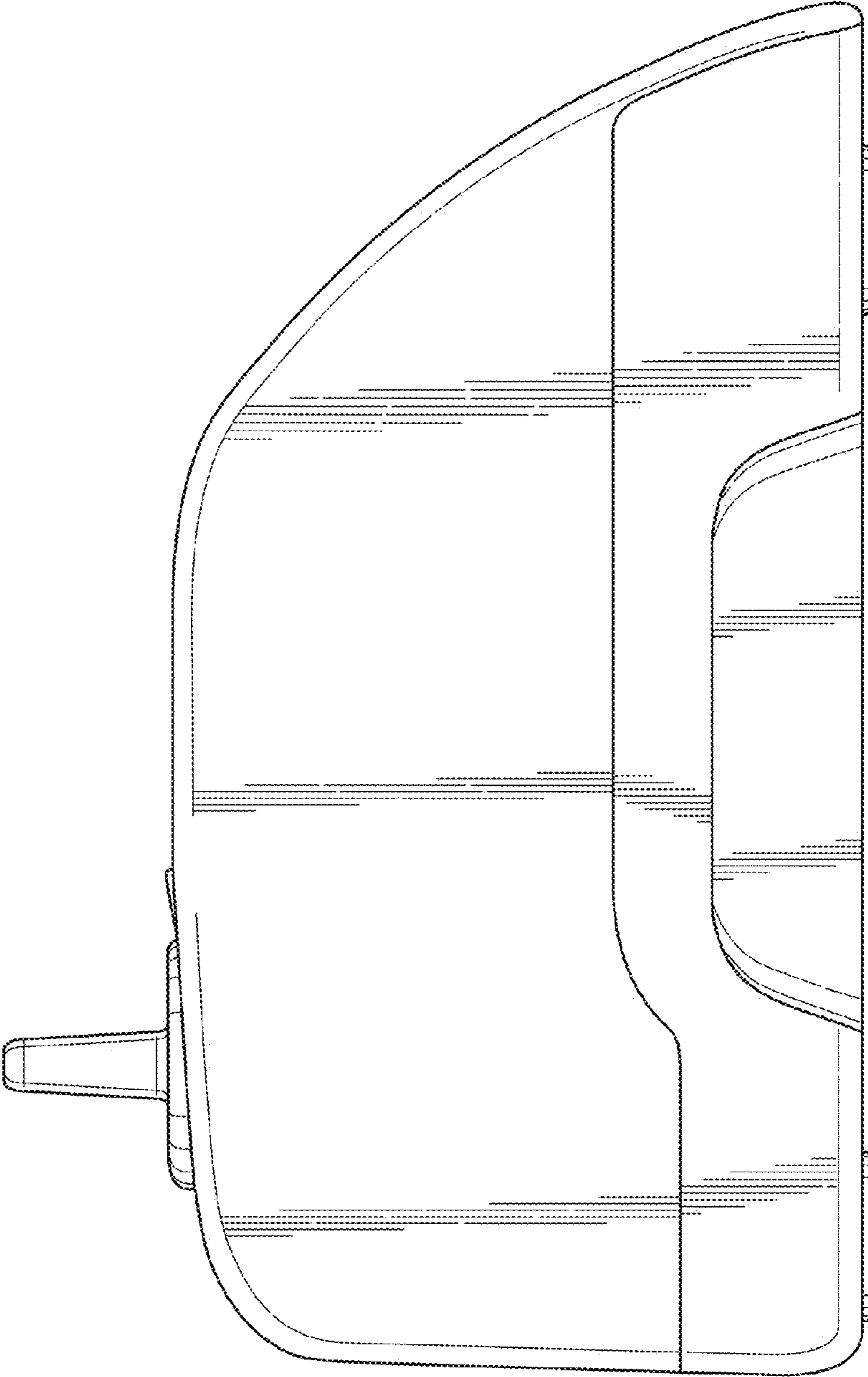


FIG. 5

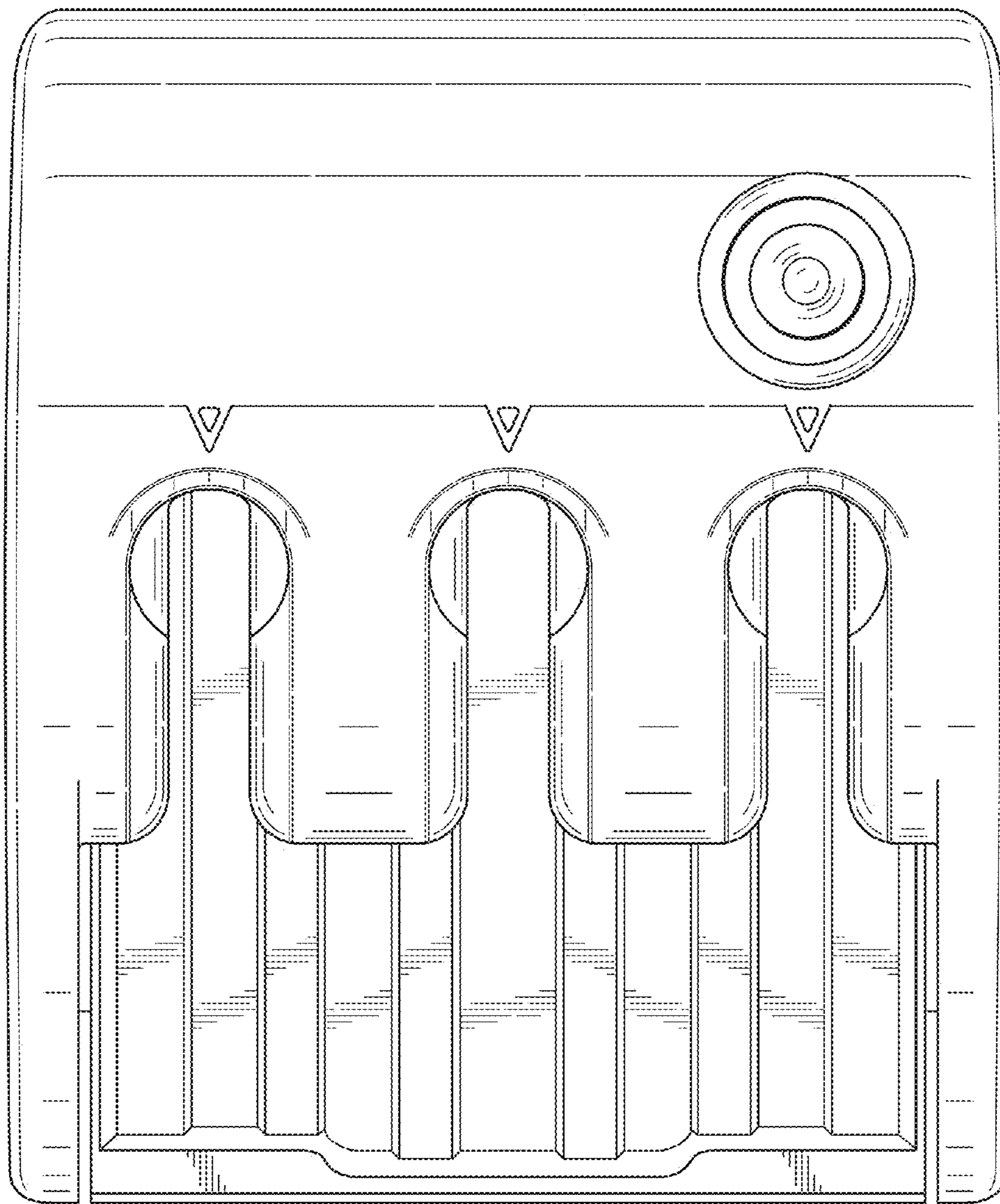


FIG. 6

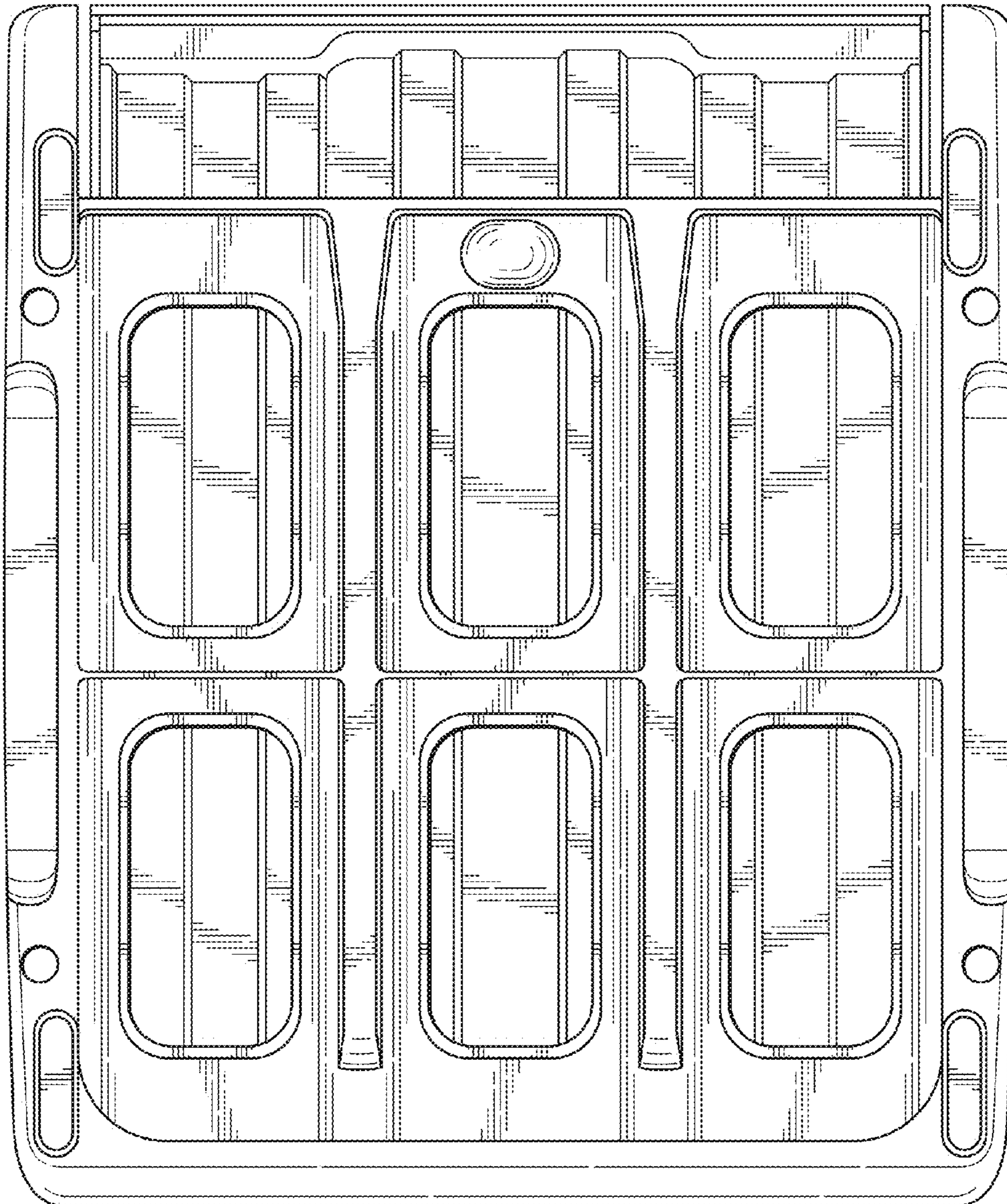


FIG. 7