



US00D728876S

(12) **United States Design Patent**
Scarpellini

(10) **Patent No.:** **US D728,876 S**

(45) **Date of Patent:** **** May 5, 2015**

(54) **CLEANING TOOL**

(71) Applicant: **Mark Scarpellini**, Cumberland Park (AU)

(72) Inventor: **Mark Scarpellini**, Cumberland Park (AU)

(**) Term: **14 Years**

(21) Appl. No.: **29/493,332**

(22) Filed: **Jun. 9, 2014**

(30) **Foreign Application Priority Data**

Dec. 13, 2013 (AU) 16542/2013

(51) **LOC (10) Cl.** **15-05**

(52) **U.S. Cl.**
USPC **D32/25**

(58) **Field of Classification Search**
USPC D4/100, 199, 114, 116; D32/1, 17, 18,
D32/25, 35; 15/22.1, 105, 329, 344; 68/220,
68/222; 320/114, 115
See application file for complete search history.

(56) **References Cited**

U.S. PATENT DOCUMENTS

D368,343 S * 3/1996 Gebhard et al. D32/35
D370,126 S * 5/1996 Pfanstiehl et al. D4/135
5,617,605 A * 4/1997 Hoerner et al. 15/105
D469,962 S * 2/2003 Campbell et al. D4/121
D483,915 S * 12/2003 Campbell et al. D32/35

D514,817 S * 2/2006 Huang D4/121
D539,997 S * 4/2007 Hay D32/35
D547,067 S * 7/2007 Choi D4/100
D605,821 S * 12/2009 Shaanan D32/35
D609,917 S * 2/2010 Benson et al. D4/136
2007/0214586 A1 * 9/2007 Mattucci et al. 15/4
2008/0028554 A1 * 2/2008 Chu et al. 15/106
2010/0306937 A1 * 12/2010 Konishi et al. 15/104.93

* cited by examiner

Primary Examiner — T. Chase Nelson

Assistant Examiner — Michelle E Wilson

(74) *Attorney, Agent, or Firm* — Renner Kenner Greive
Bobak Taylor & Weber

(57) **CLAIM**

The ornamental design for a cleaning tool, as shown and described.

DESCRIPTION

FIG. 1 is a rear perspective view of a cleaning tool showing my new design;

FIG. 2 is a rear elevational view thereof;

FIG. 3 is a side view thereof wherein the opposite side view is a mirror image;

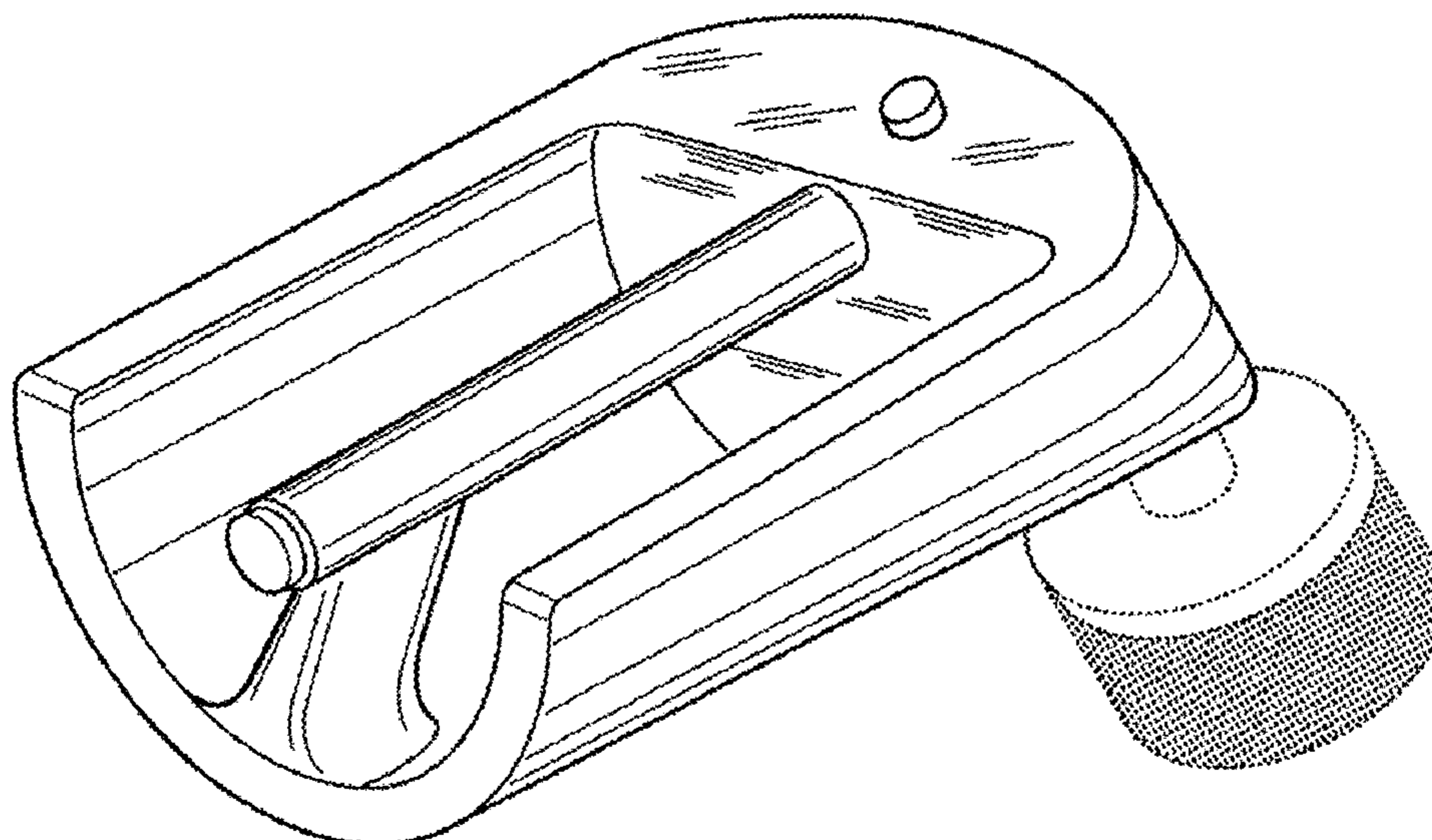
FIG. 4 is a front side elevational view thereof;

FIG. 5 is a top plan view thereof; and,

FIG. 6 is a bottom plan view thereof.

The broken lines shown in the drawings represent an attachment to the cleaning tool that form no part of the claimed design.

1 Claim, 6 Drawing Sheets



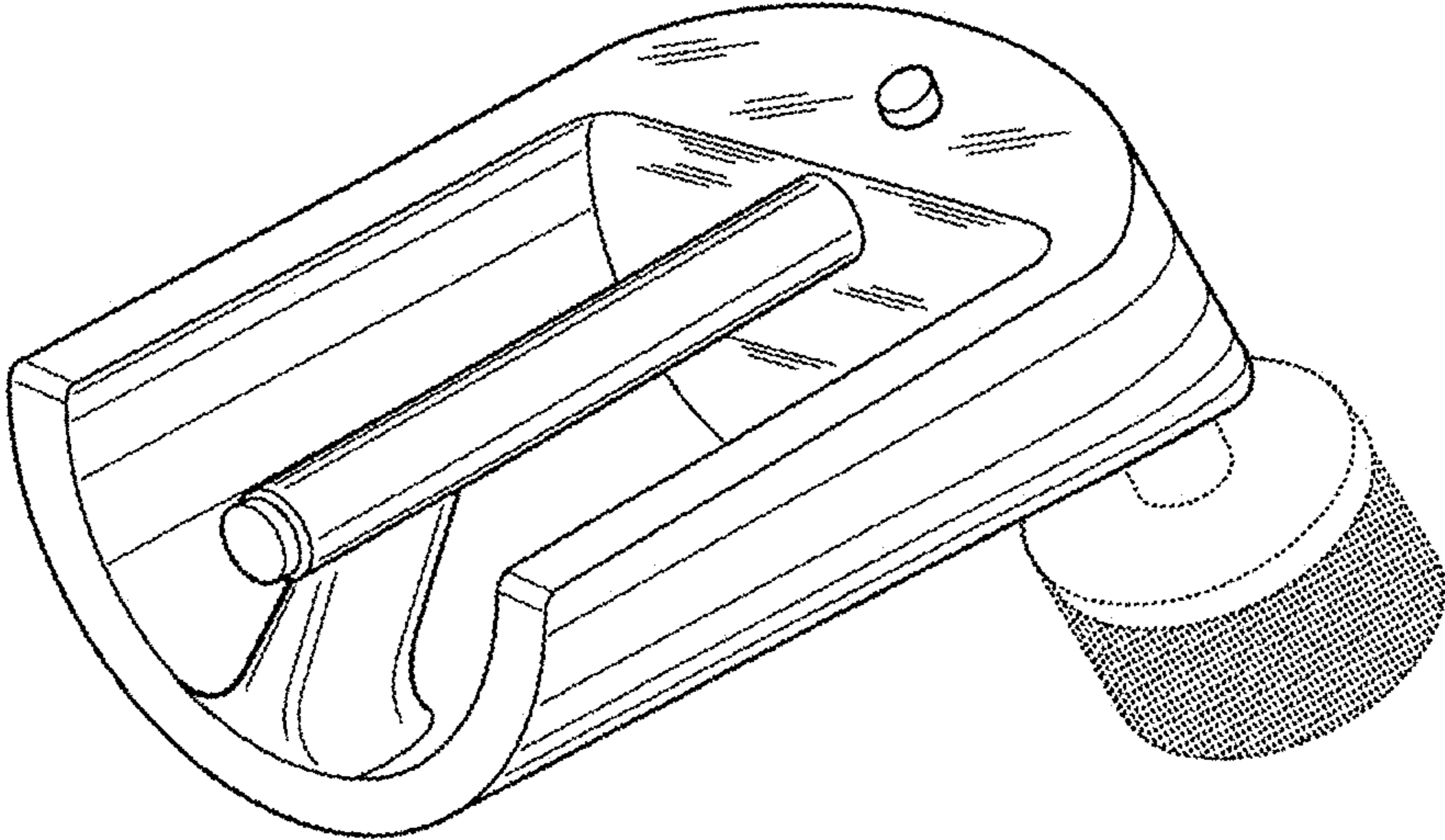


FIG. 1

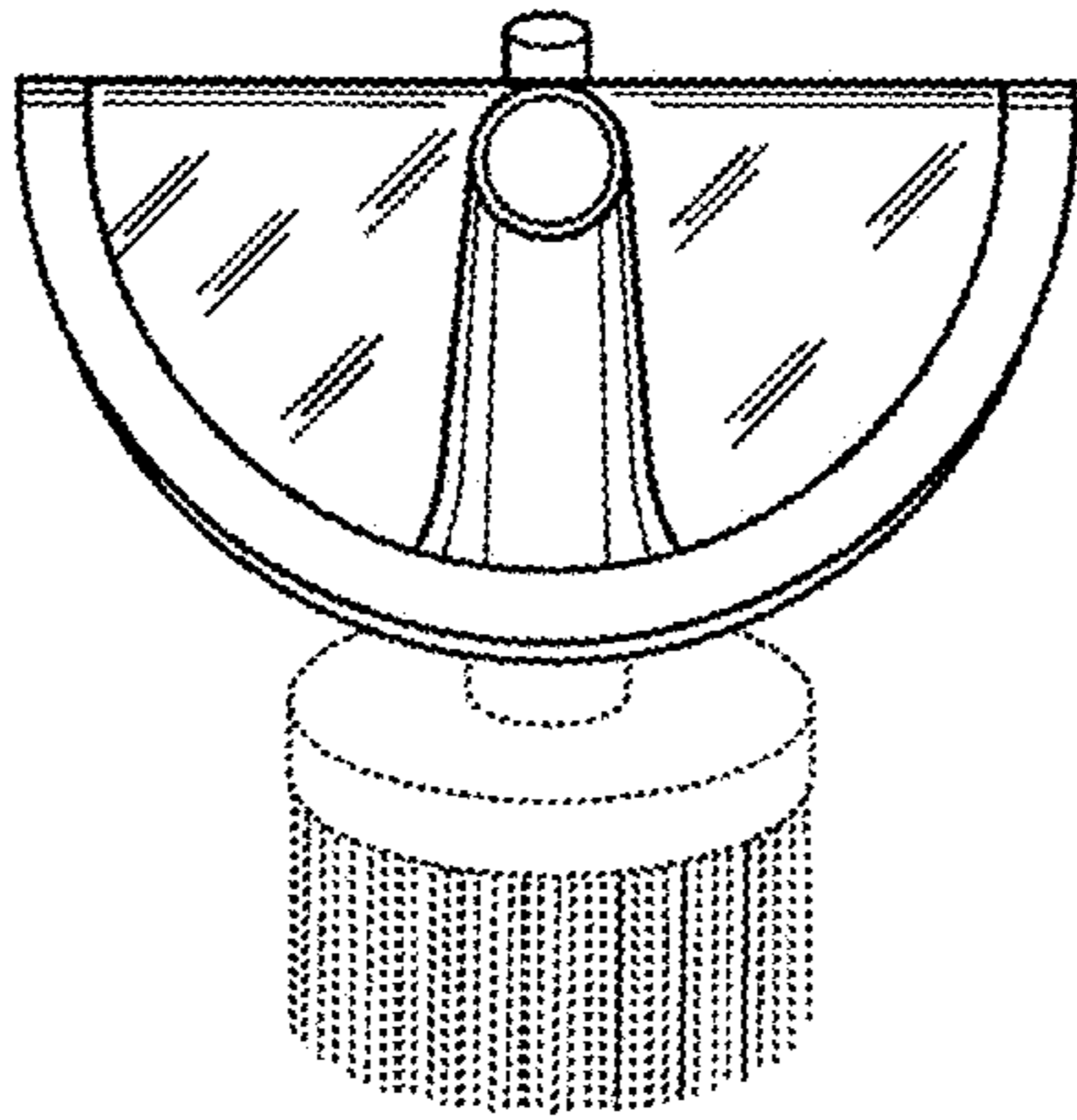


FIG. 2

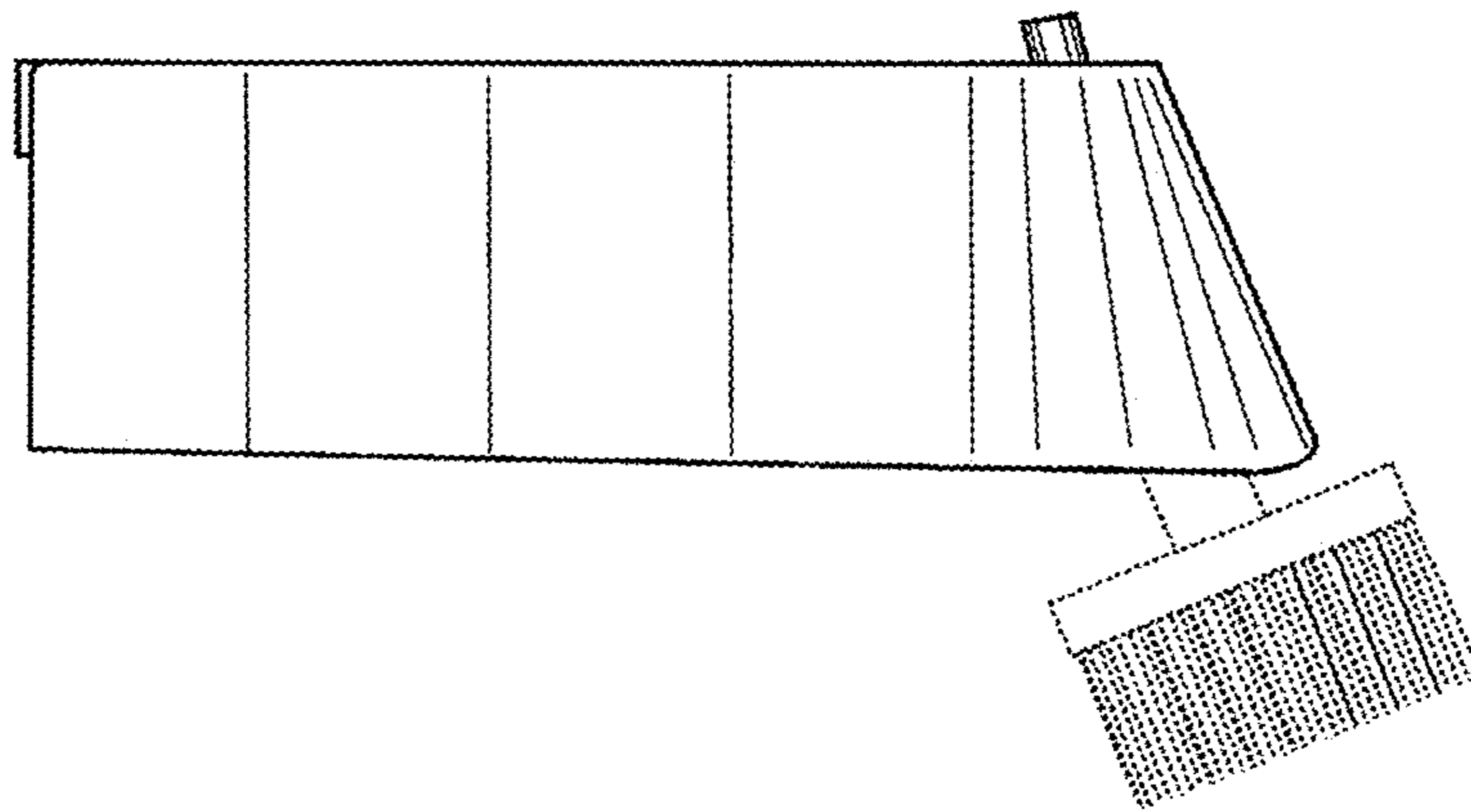


FIG. 3

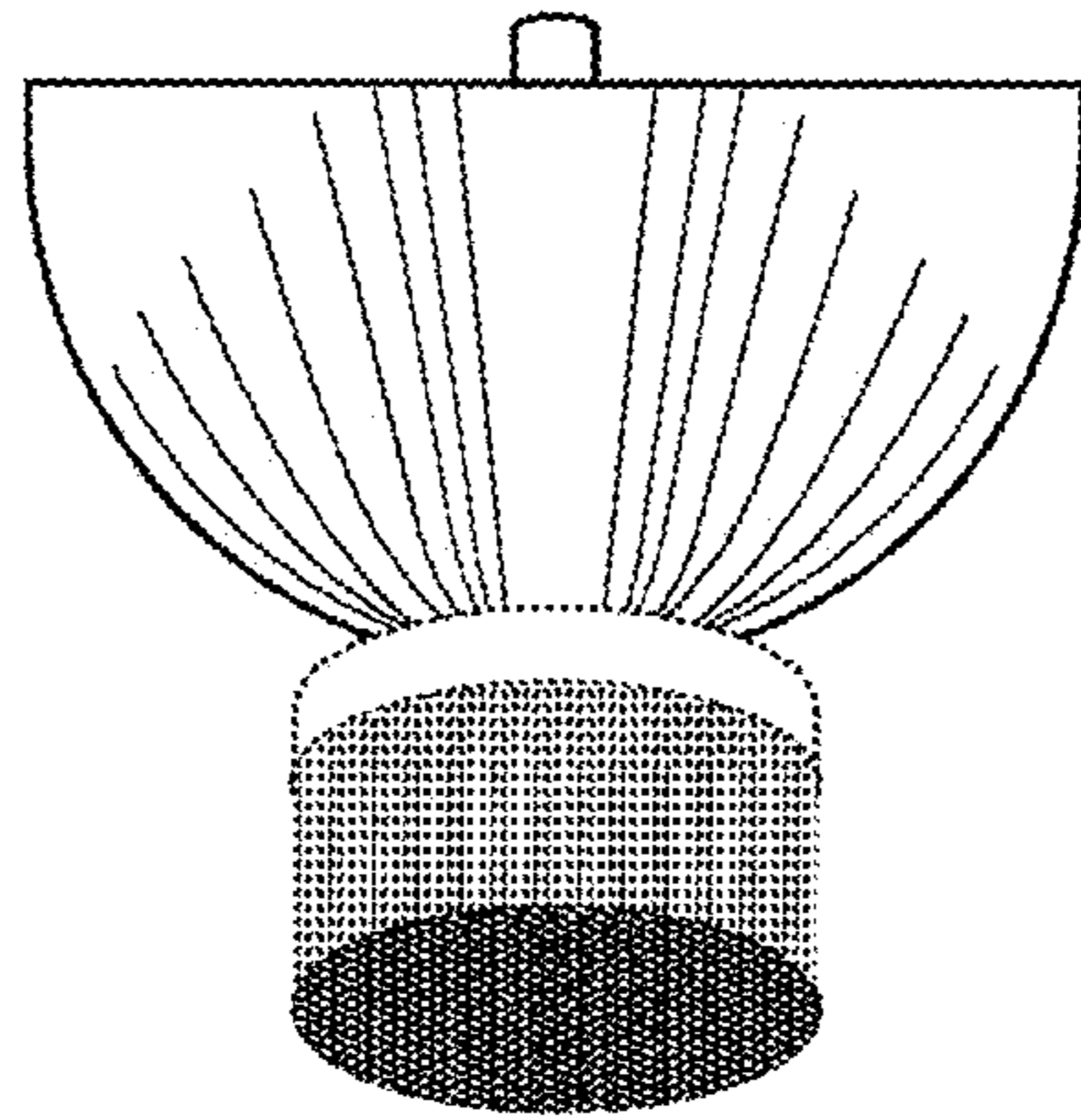


FIG. 4

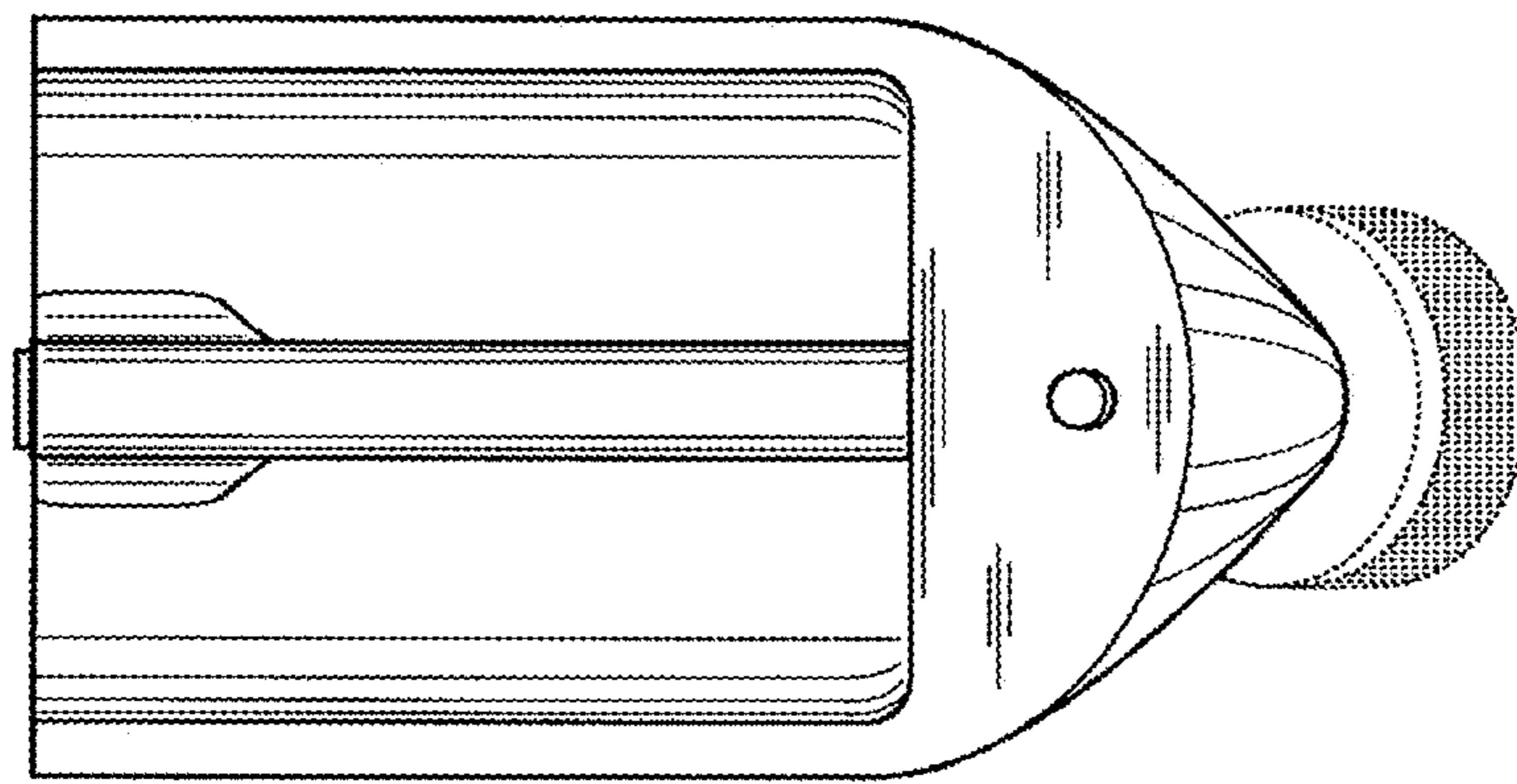


FIG. 5

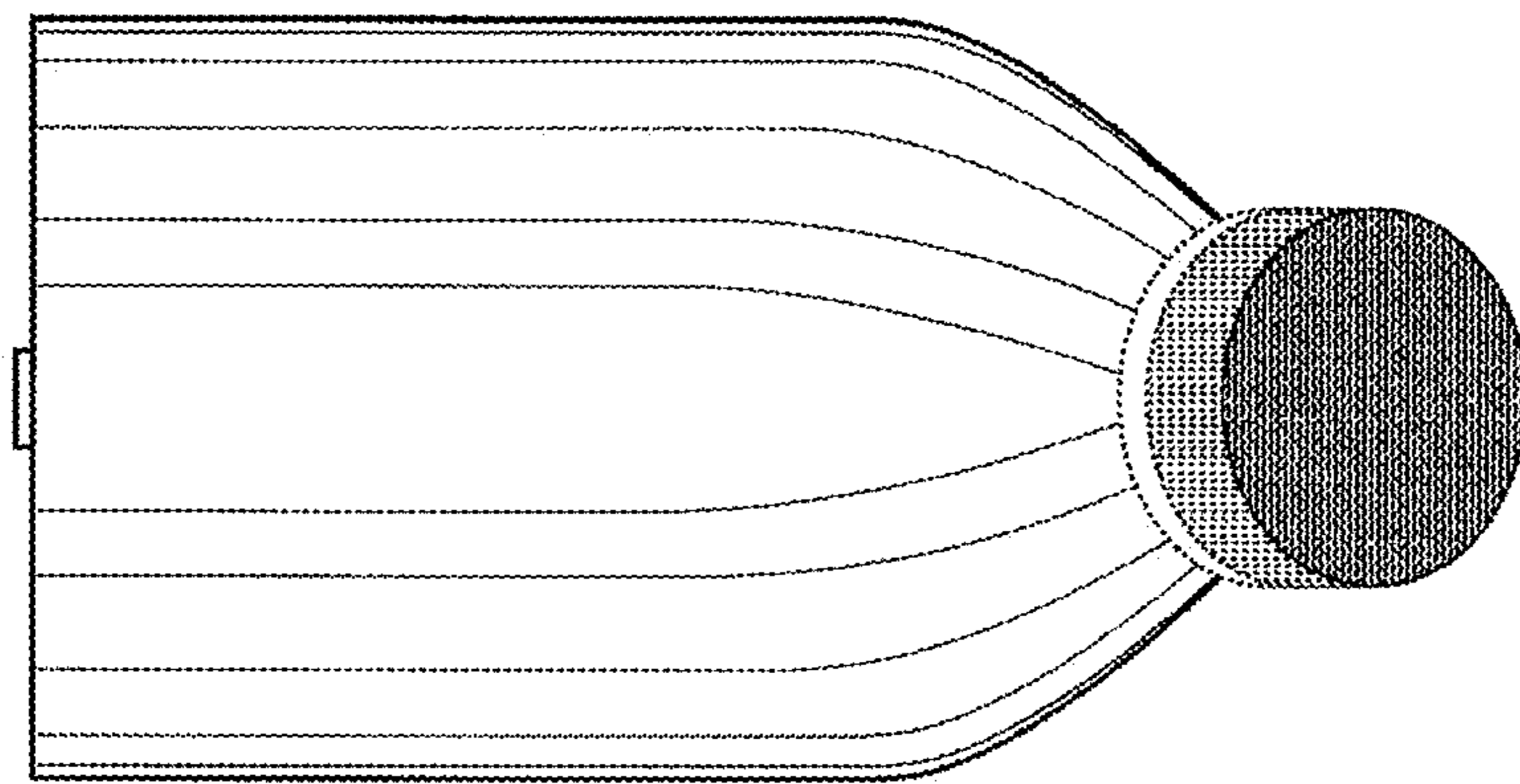


FIG. 6