



US00D728875S

(12) **United States Design Patent**
Fry et al.

(10) **Patent No.:** **US D728,875 S**

(45) **Date of Patent:** **** May 5, 2015**

(54) **VACUUM CLEANER**

(71) Applicant: **Shop Vac Corporation**, Williamsport, PA (US)

(72) Inventors: **Kevin D. Fry**, South Williamsport, PA (US); **John Griffin**, Phoenix, AZ (US); **Robert L. Crevling, Jr.**, Williamsport, PA (US)

(73) Assignee: **Shop Vac Corporation**, Williamsport, PA (US)

(**) Term: **14 Years**

(21) Appl. No.: **29/467,873**

(22) Filed: **Sep. 24, 2013**

(51) **LOC (10) Cl.** **15-05**

(52) **U.S. Cl.**
USPC **D32/23**

(58) **Field of Classification Search**
CPC . A47L 7/004; A47L 11/4036; A47L 11/4041;
A47L 7/023; A47L 7/009; A47L 11/30
USPC D32/21, 23-24, 31; 15/320-321, 340.2,
15/353, 412, 339, 327.1, 327.6, 327.7
See application file for complete search history.

(56) **References Cited**

U.S. PATENT DOCUMENTS

D507,386	S	*	7/2005	Griffin et al.	D32/21
D527,504	S	*	8/2006	Griffin et al.	D32/21
D568,562	S	*	5/2008	Griffin et al.	D32/23
D568,564	S	*	5/2008	Griffin et al.	D32/31
D587,414	S	*	2/2009	Griffin et al.	D32/31
D588,316	S	*	3/2009	Griffin	D32/31
D599,968	S	*	9/2009	Crevling et al.	D32/23
D615,718	S	*	5/2010	Crevling et al.	D32/23
D623,812	S	*	9/2010	Seasholtz et al.	D32/31
D623,813	S	*	9/2010	Seasholtz et al.	D32/31
D631,216	S	*	1/2011	Crevling et al.	D32/31

D634,084	S	*	3/2011	Griffin et al.	D32/31
D644,800	S	*	9/2011	Seasholtz et al.	D32/31
D644,801	S	*	9/2011	Crevling et al.	D32/31
D672,929	S	*	12/2012	Gottschall et al.	D32/31
D675,389	S	*	1/2013	Seasholtz et al.	D32/31
D683,090	S	*	5/2013	Griffin et al.	D32/23

(Continued)

Primary Examiner — Ruth McInroy

(74) *Attorney, Agent, or Firm* — Marshall, Gerstein & Borun LLP

(57) **CLAIM**

We claim the ornamental design for a vacuum cleaner, as shown and described.

DESCRIPTION

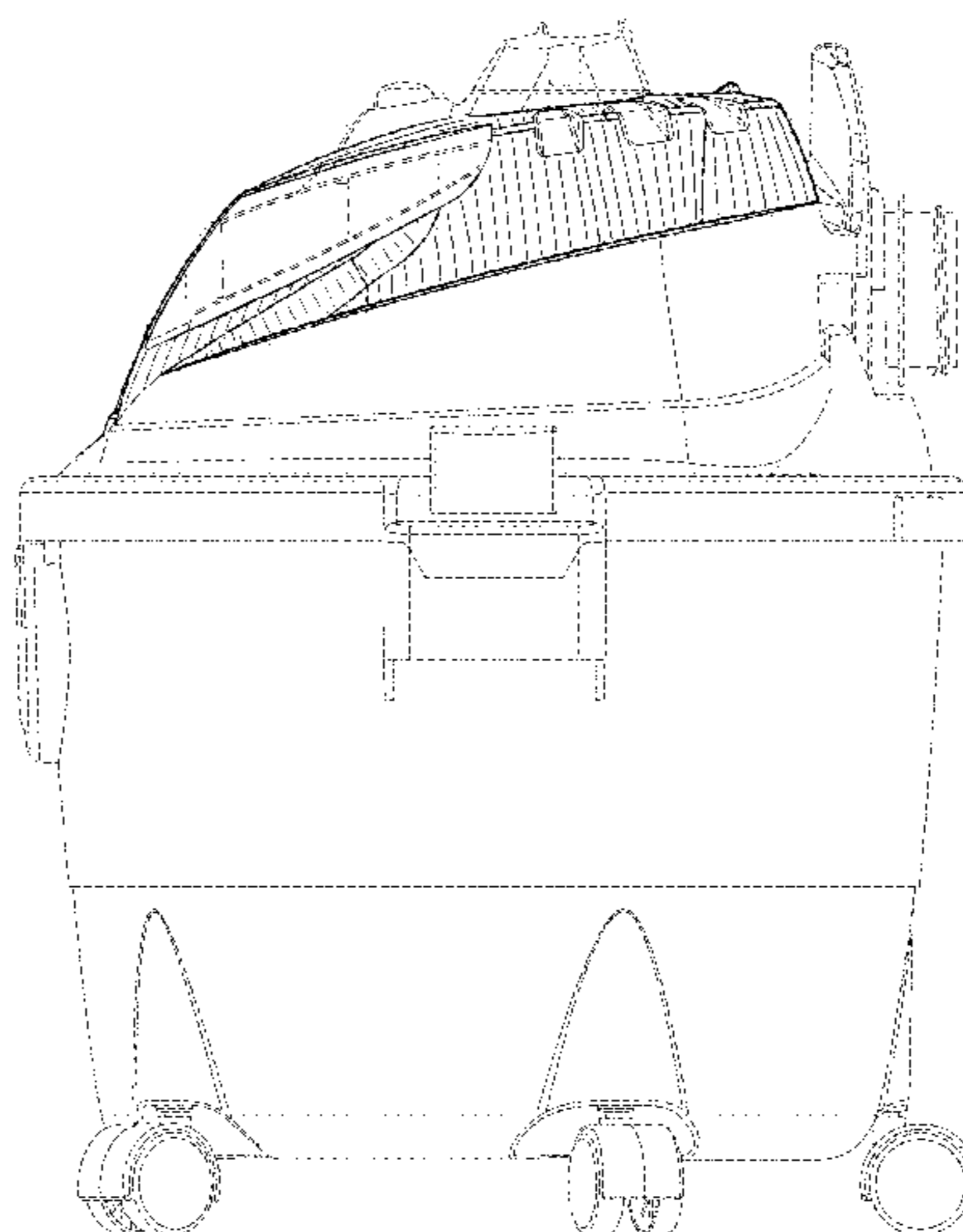
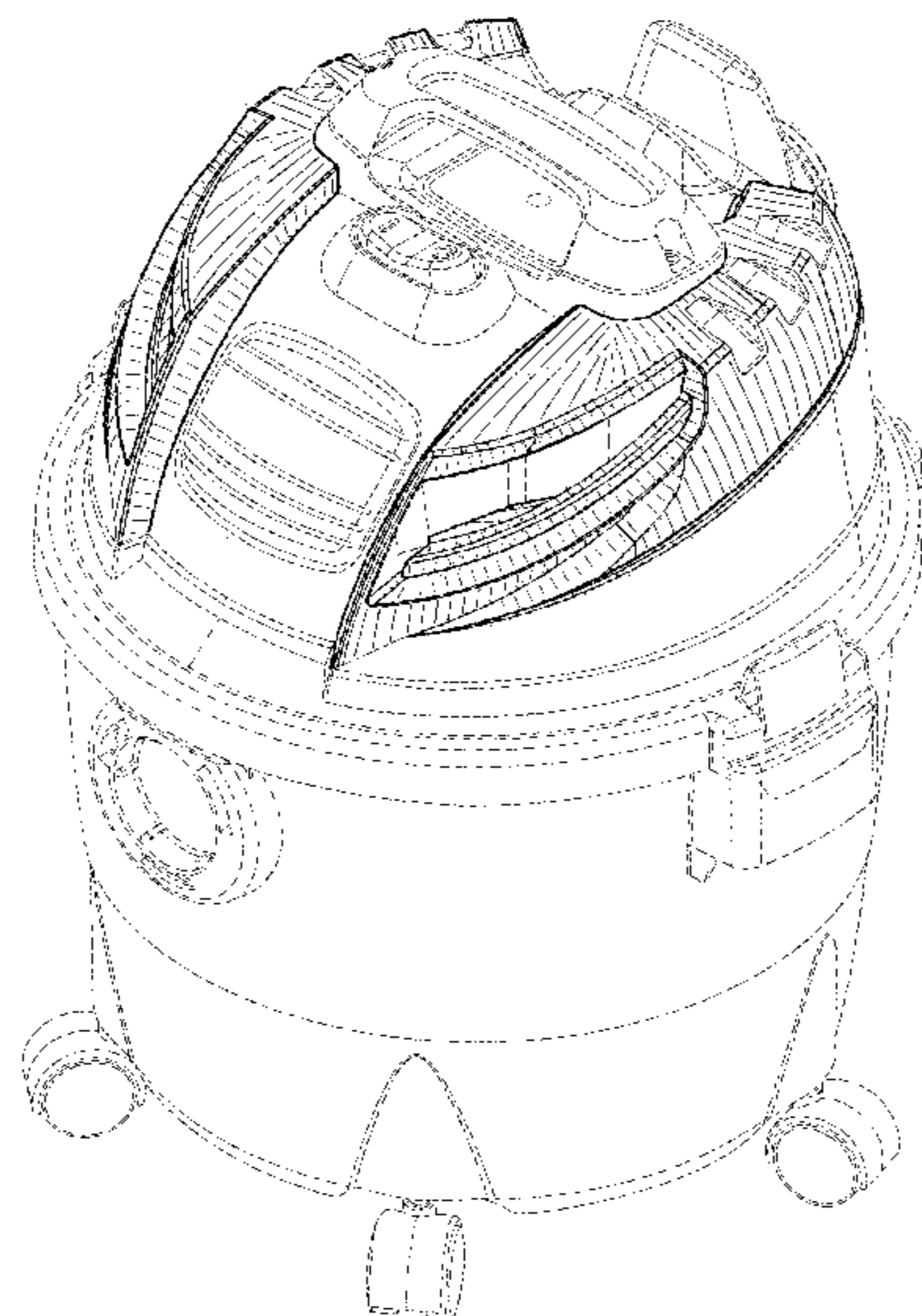
FIG. 1 is a top, front and right-side isometric view of a vacuum cleaner showing our new design;
 FIG. 2 is a front elevation view thereof;
 FIG. 3 is a right-side elevation view thereof;
 FIG. 4 is a rear elevation view thereof;
 FIG. 5 is a left-side elevation view thereof;
 FIG. 6 is a top plan view thereof;
 FIG. 7 is a top, front and right-side isometric view thereof, the only difference is in the unclaimed structure shown in broken lines;
 FIG. 8 is a front elevation view of FIG. 7;
 FIG. 9 is a right-side elevation view of FIG. 7;
 FIG. 10 is a rear elevation view of FIG. 7;
 FIG. 11 is a left-side elevation view of FIG. 7; and,
 FIG. 12 is a top plan view of FIG. 7.

The claimed structure in FIGS. 1-6 is identical to the solid line structure in FIGS. 7-12.

The bottom of the vacuum cleaner forms no part of the claimed design.

The details shown in broken lines form no part of the claimed design. The dash-dot lines show the boundary of the claimed design.

1 Claim, 12 Drawing Sheets



(56)

References Cited

U.S. PATENT DOCUMENTS

D691,339 S * 10/2013 Griffin et al. D32/31
2013/0009371 A1* 1/2013 Martinez 280/79.2

D683,091 S * 5/2013 Griffin et al. D32/23 * cited by examiner

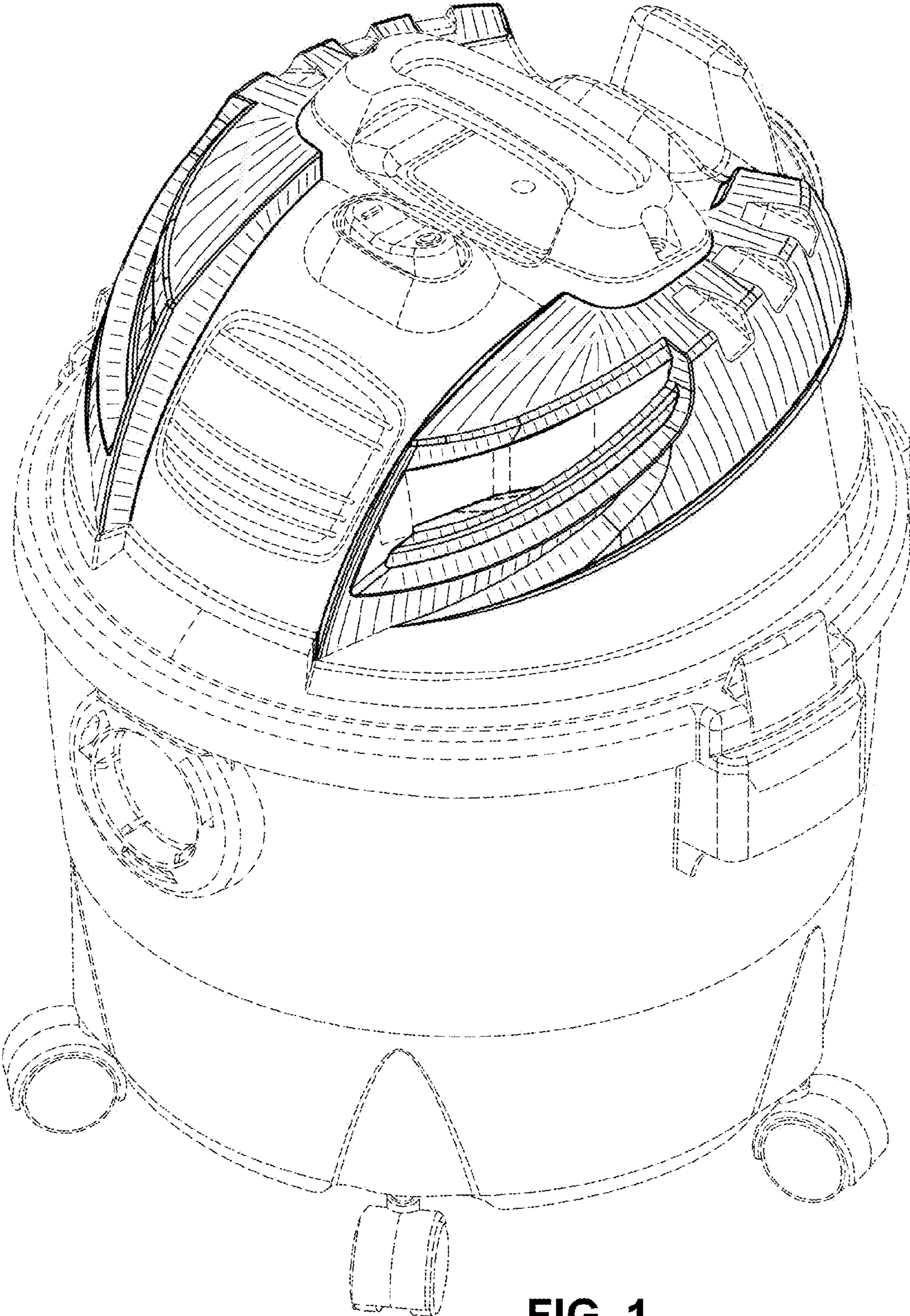


FIG. 1

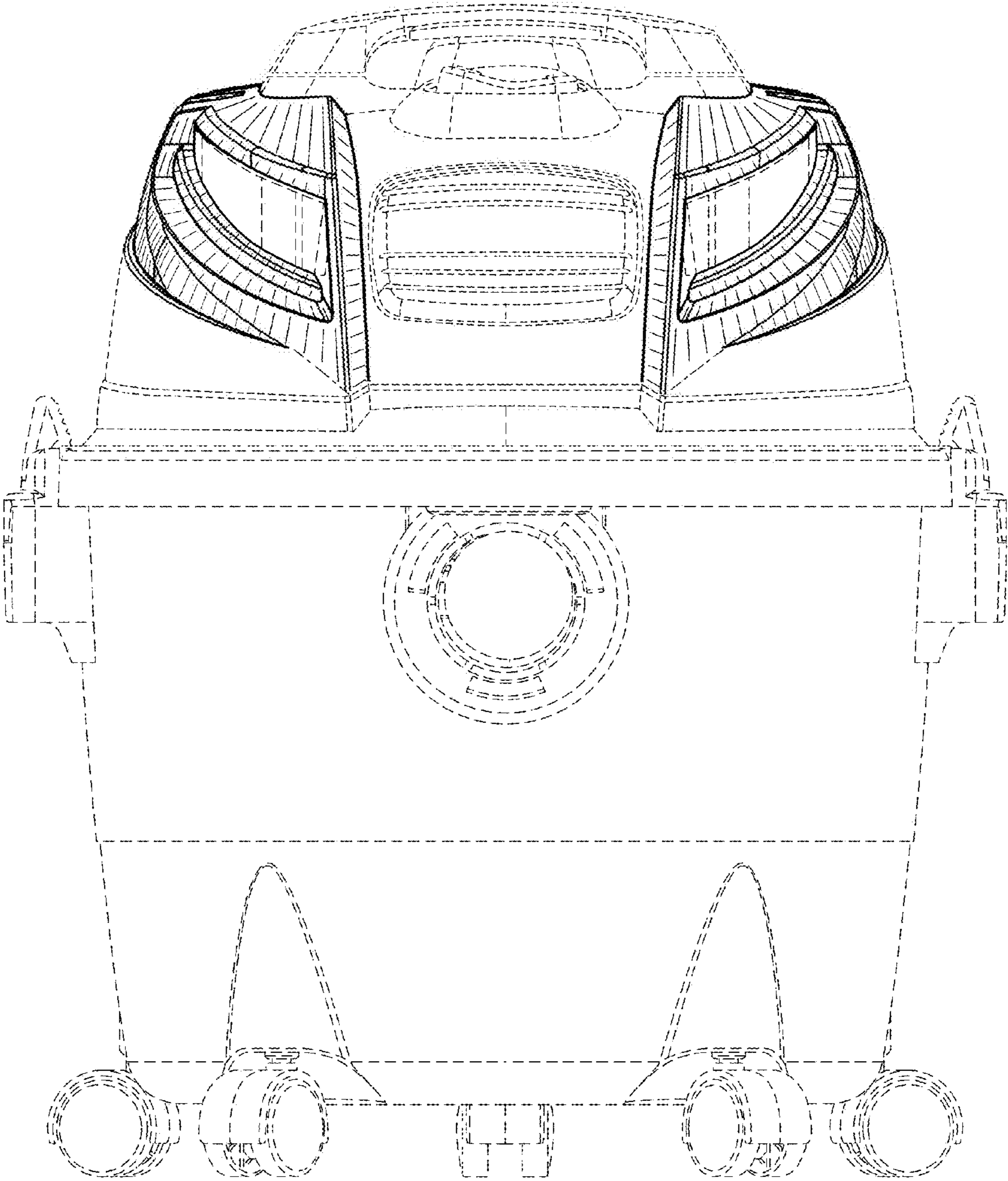


FIG. 2

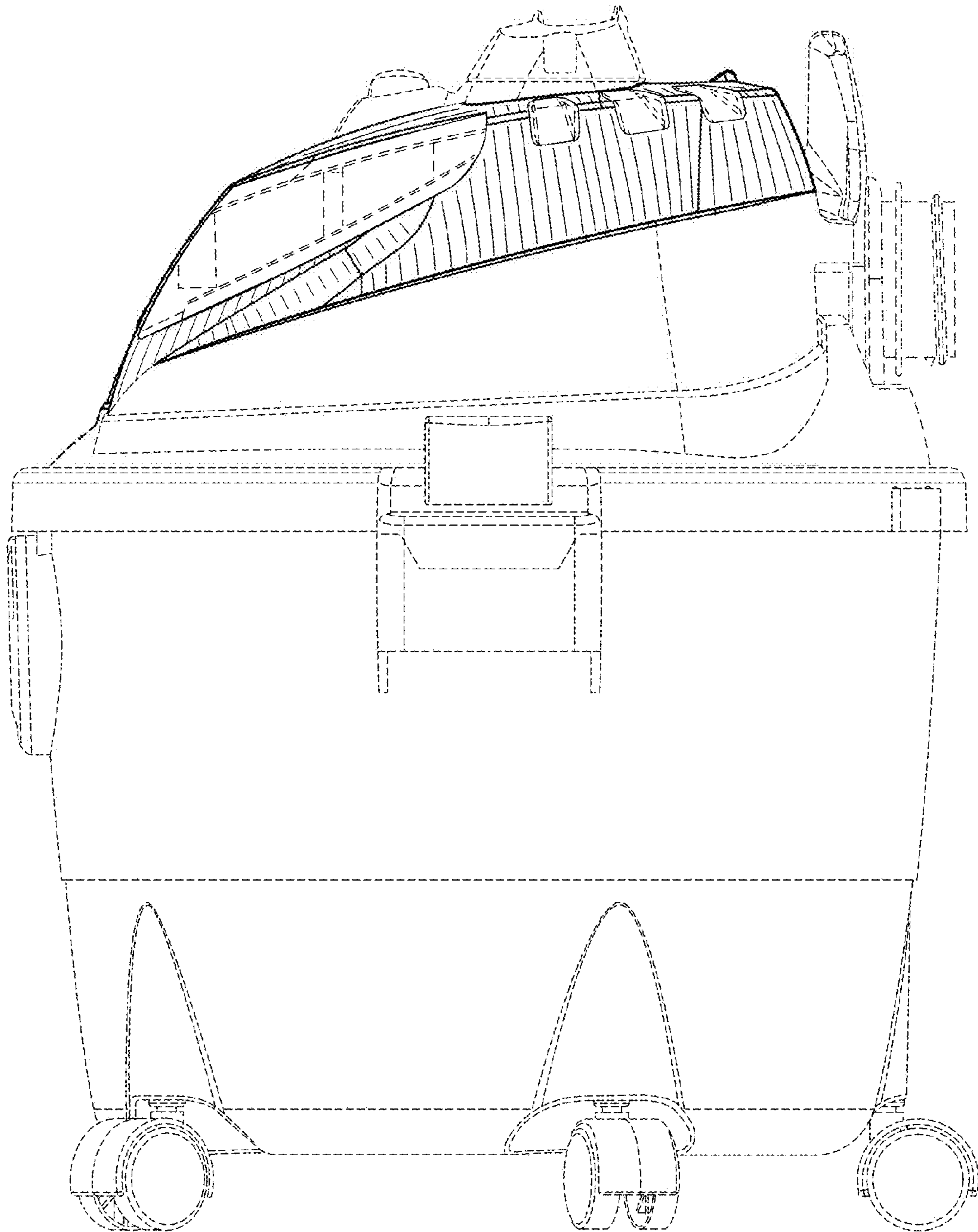


FIG. 3

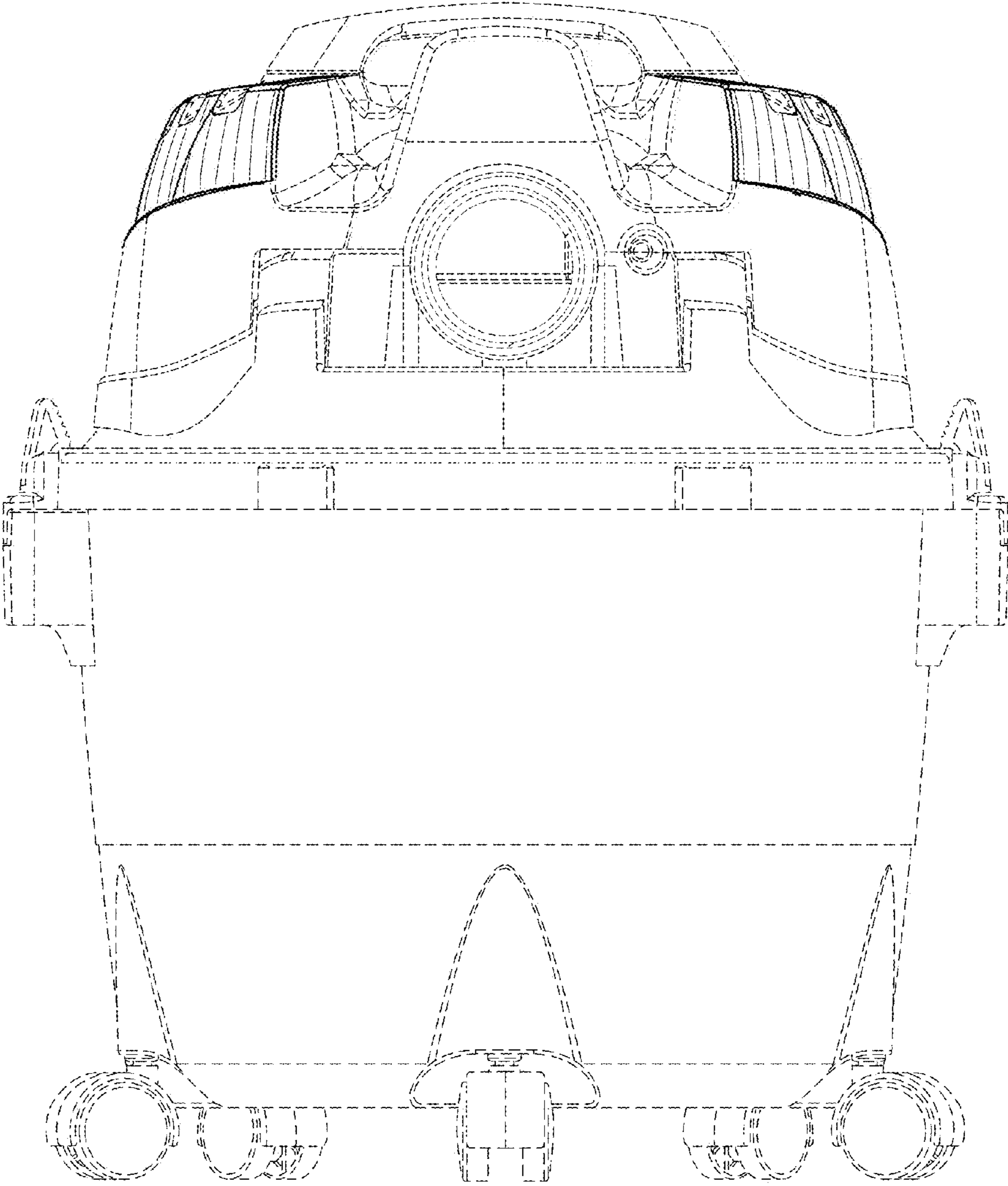


FIG. 4

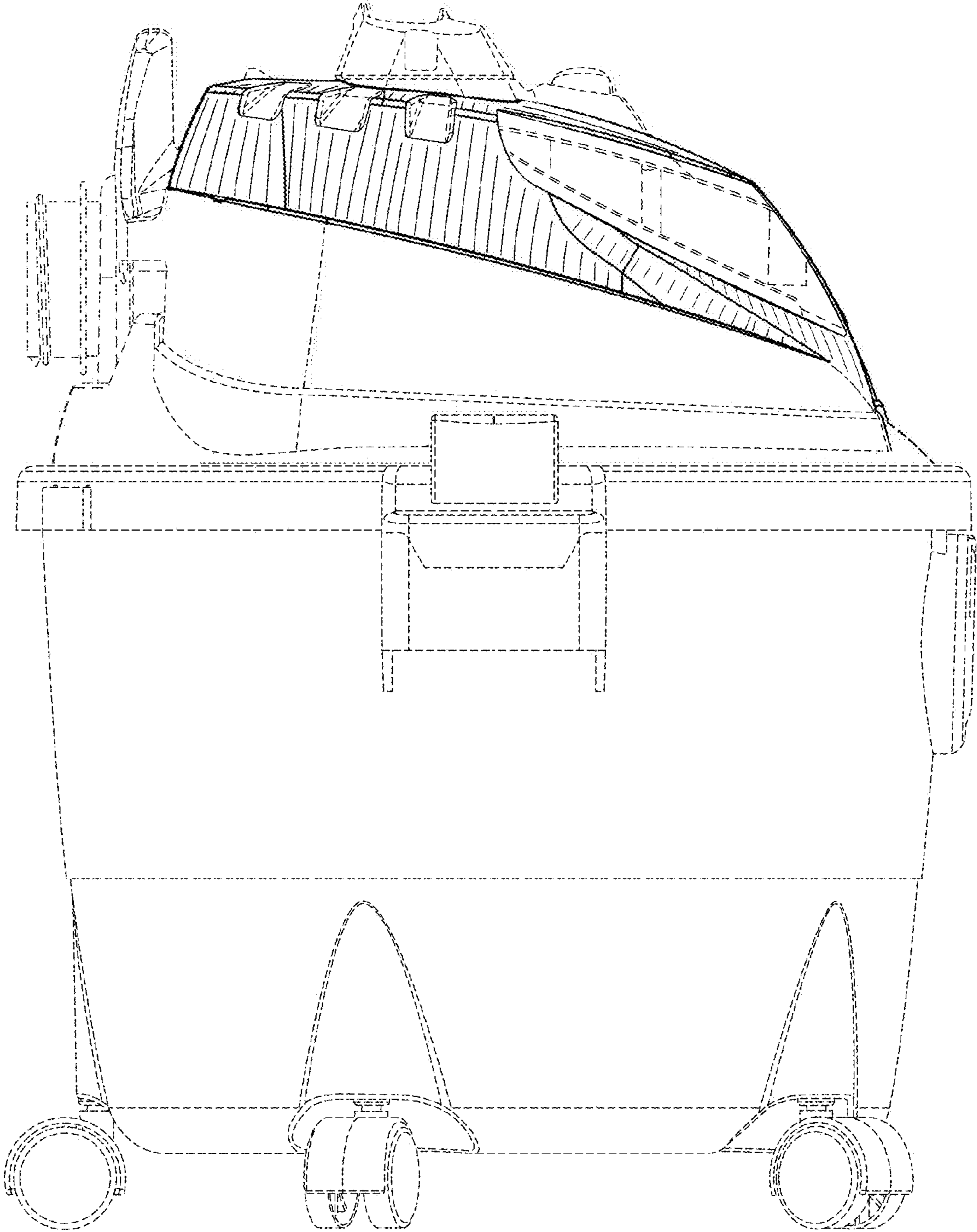


FIG. 5

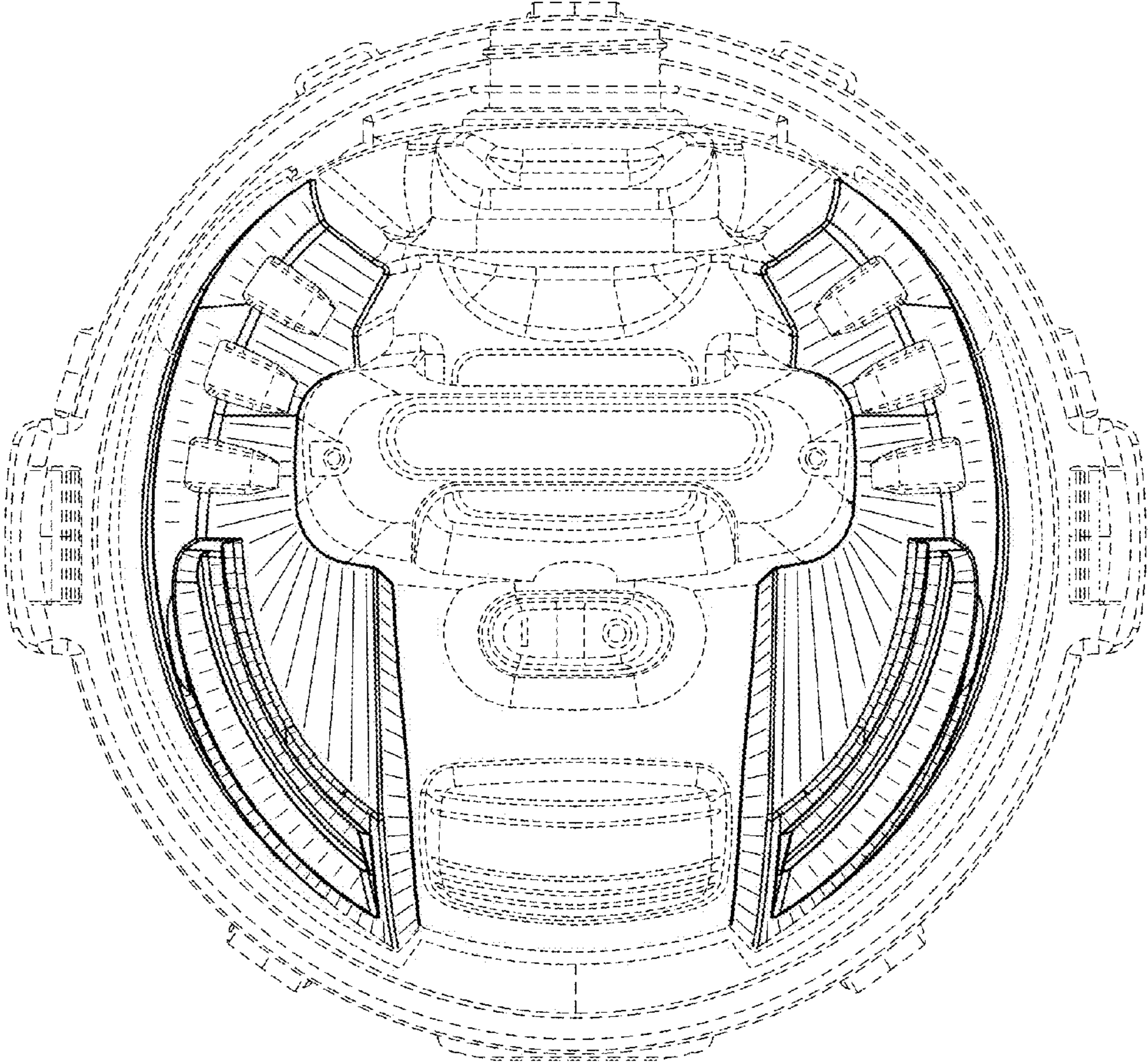


FIG. 6

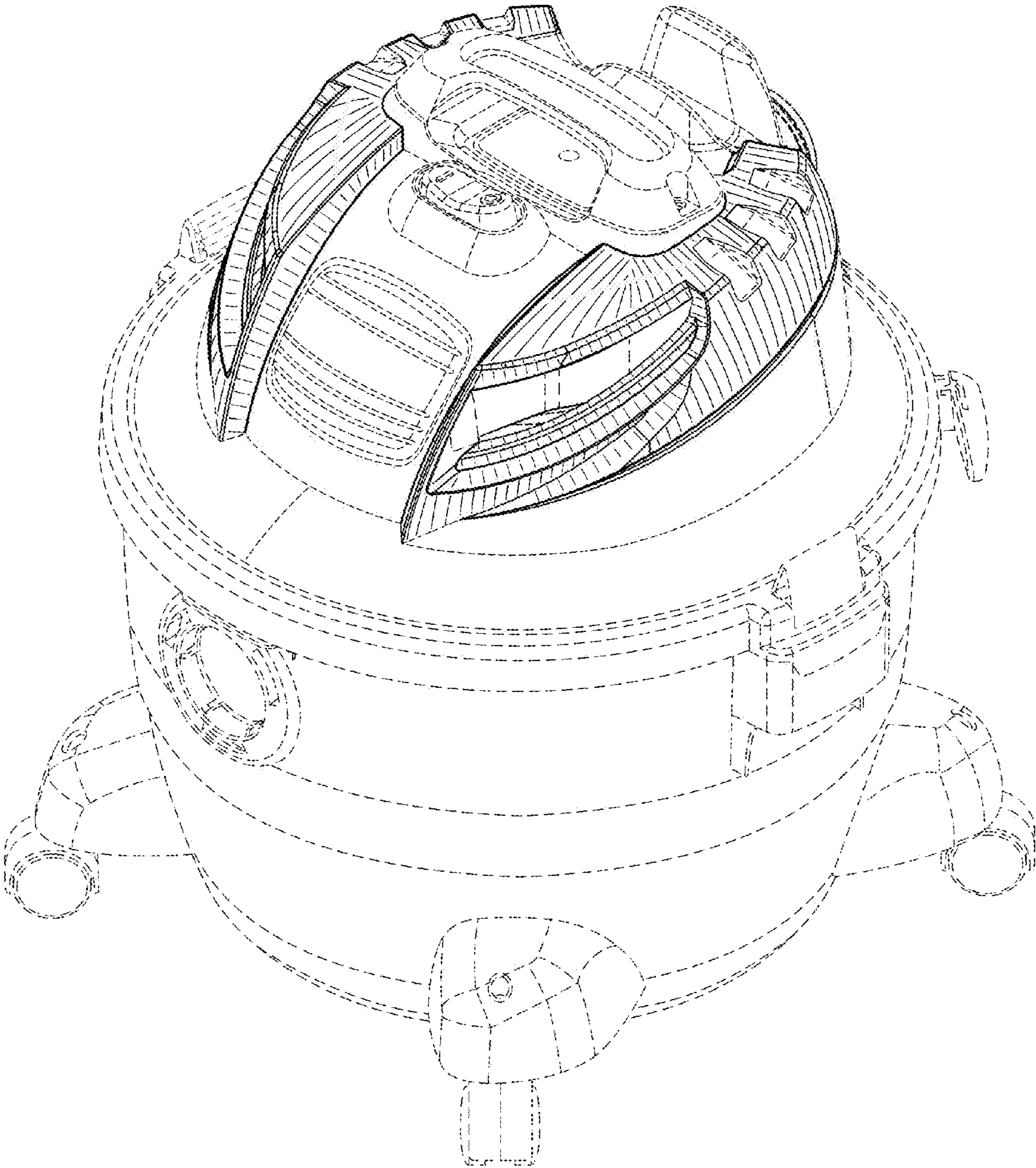


FIG. 7

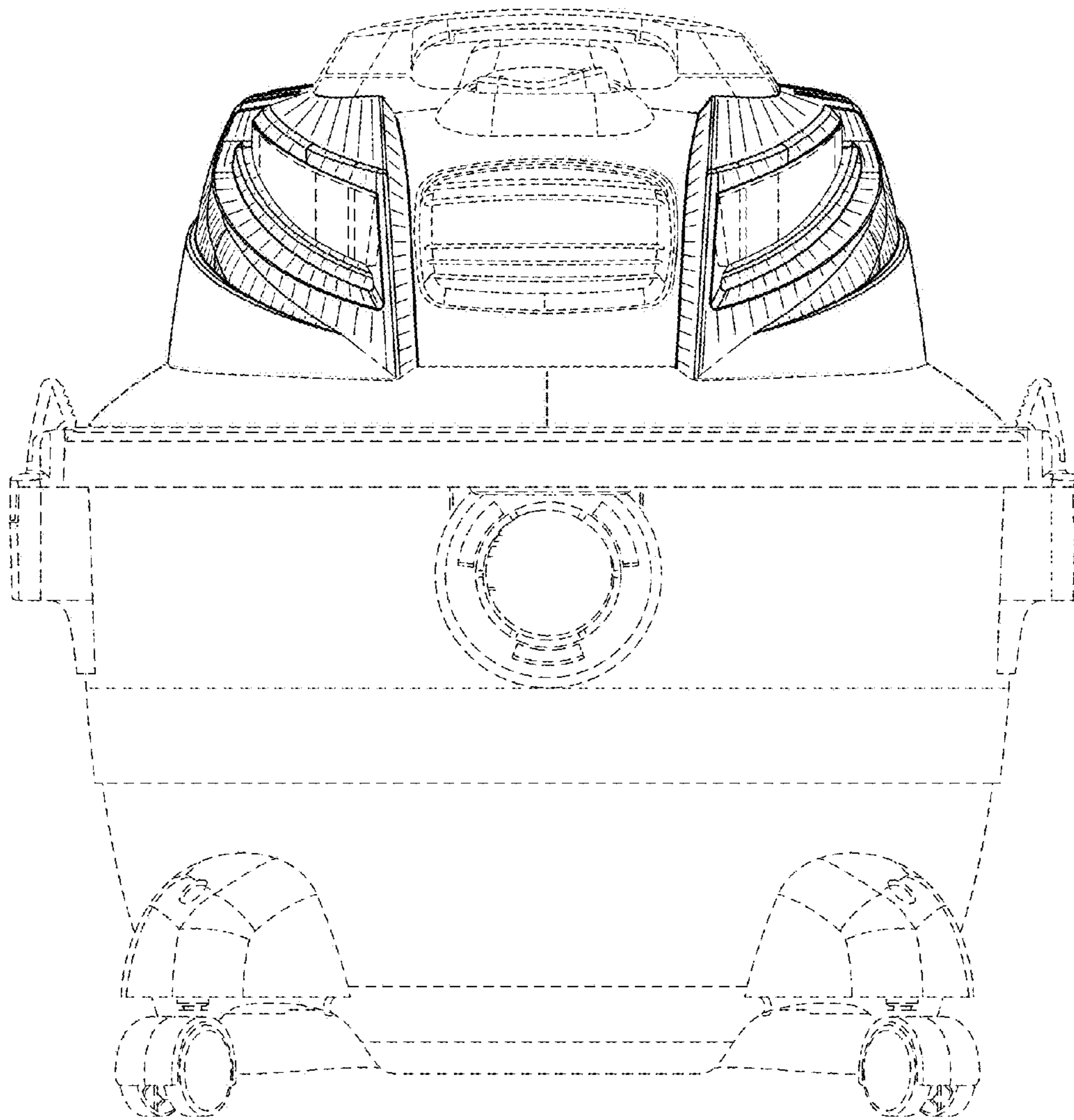


FIG. 8

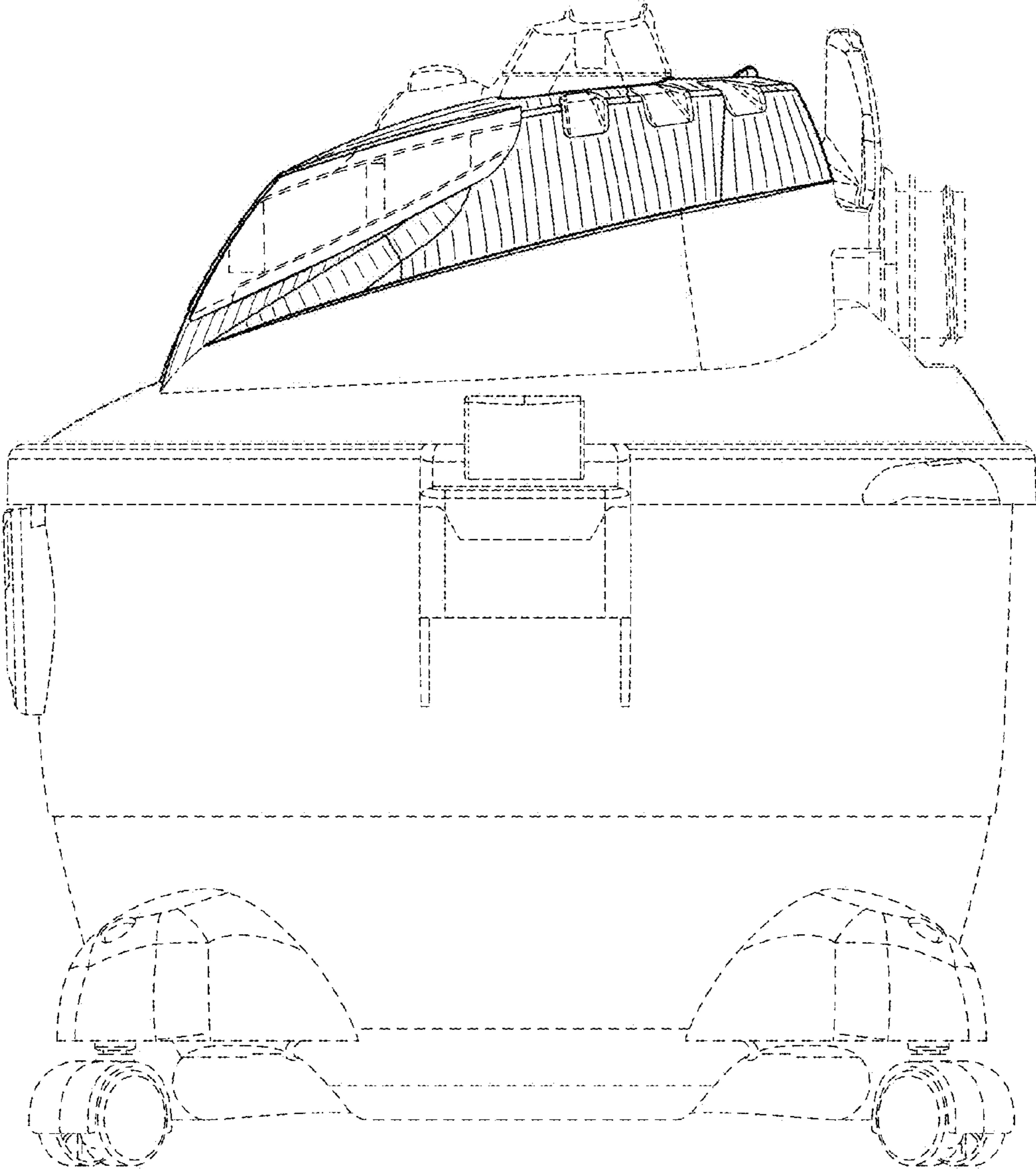


FIG. 9

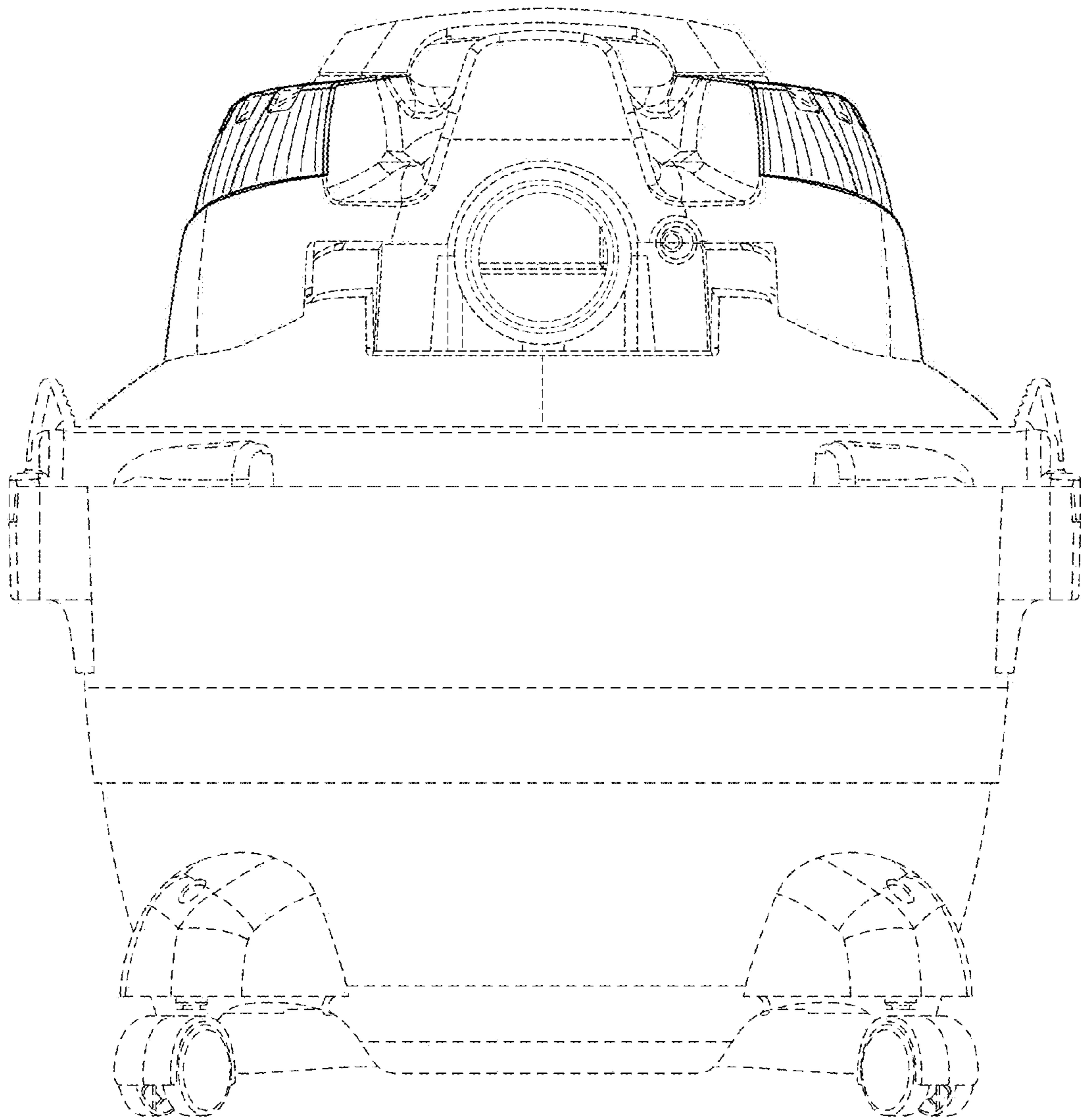


FIG. 10

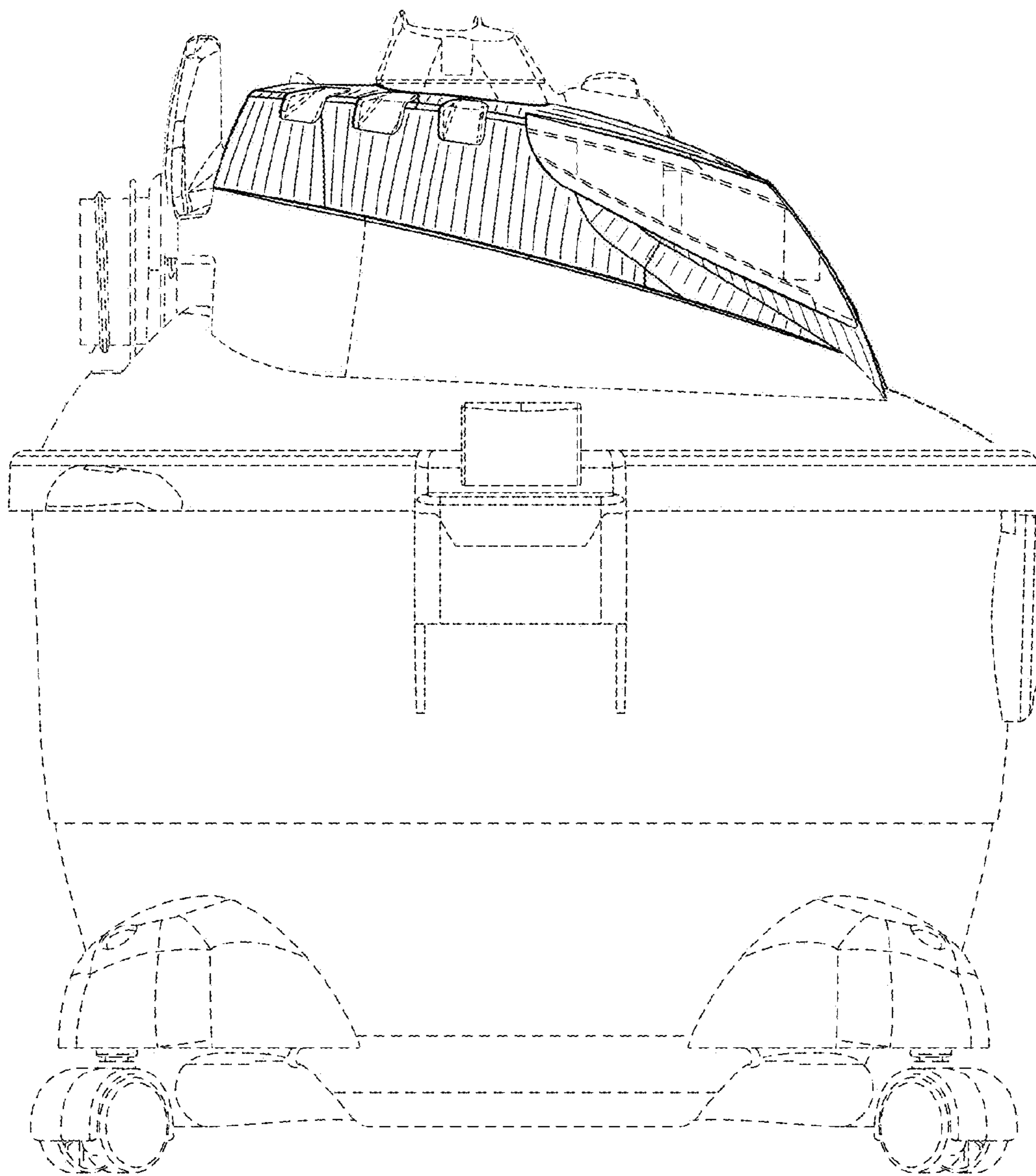


FIG. 11

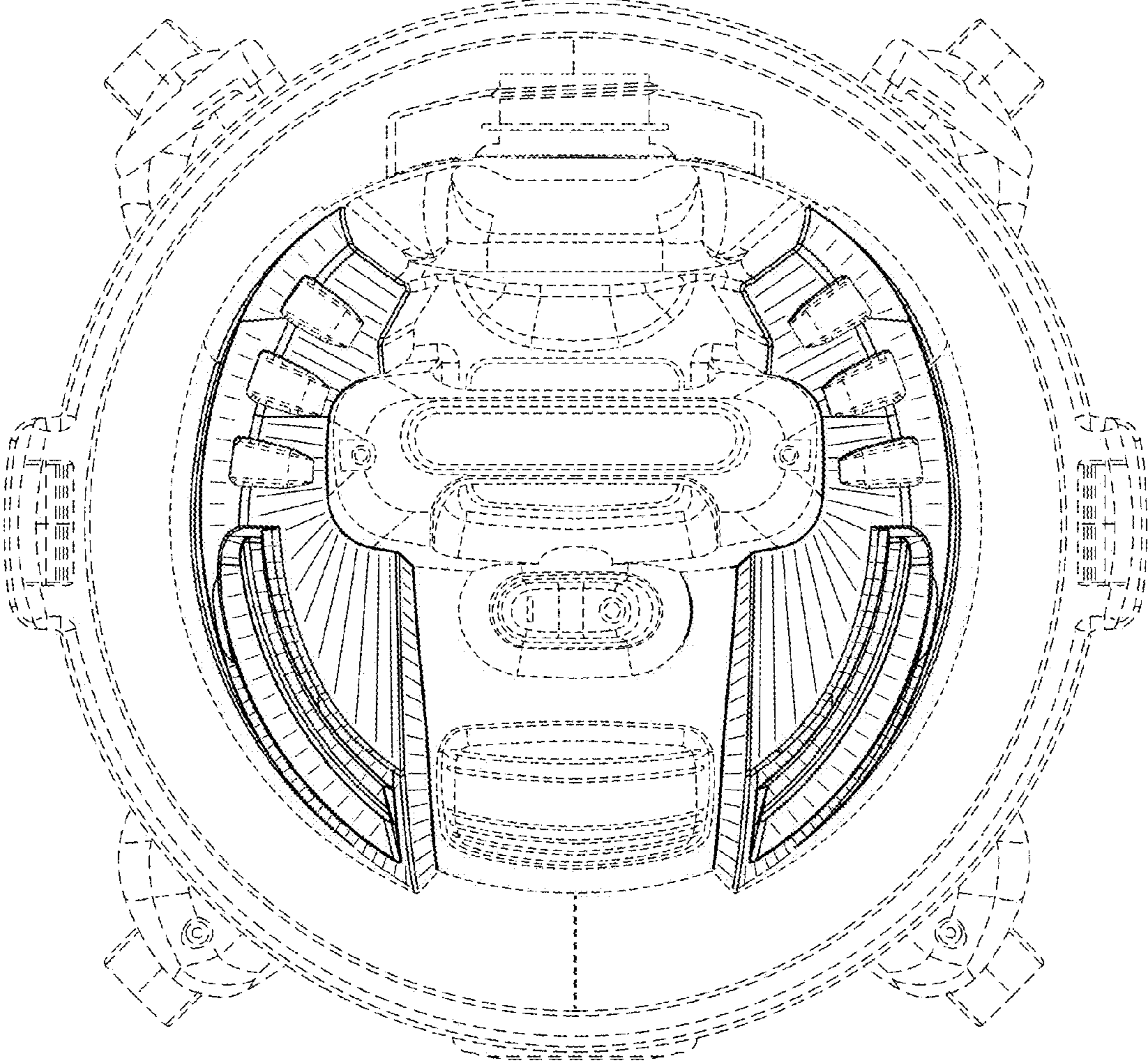


FIG. 12