



US00D728874S

(12) **United States Design Patent**
Tilk et al.

(10) **Patent No.:** **US D728,874 S**

(45) **Date of Patent:** **** May 5, 2015**

(54) **LIQUID EXTRACTION CLEANING DEVICE**

(71) Applicant: **Rug Doctor, LLC**, Plano, TX (US)

(72) Inventors: **Jason Tilk**, Cleveland, OH (US); **Evan Spirk**, Cleveland, OH (US); **Lindsey Tufts**, Cleveland, OH (US); **Craig Saunders**, Cleveland, OH (US); **Paul Stephens**, Cleveland, OH (US); **Ann Marie Morrow**, Plano, TX (US); **Walter Haug**, Plano, TX (US); **Timothy Wall**, Plano, TX (US); **Schubert Peirera**, Fenton, MO (US)

(73) Assignee: **Rug Doctor, LLC**, Plano, TX (US)

(**) Term: **14 Years**

(21) Appl. No.: **29/447,273**

(22) Filed: **Mar. 1, 2013**

(51) **LOC (10) Cl.** **15-05**

(52) **U.S. Cl.**
USPC **D32/22**

(58) **Field of Classification Search**
CPC A47K 7/0004; A47K 11/4036; A47K 11/4041; A47K 7/0023; A47K 7/009; A47K 11/30; A47K 11/34
USPC D32/21-24, 32-34; 15/353, 320-321, 15/323, 340.2, 412, 339, 327.1-327.7
See application file for complete search history.

(56) **References Cited**

U.S. PATENT DOCUMENTS

D346,679	S	*	5/1994	Bradd et al.	D32/22
D381,779	S	*	7/1997	Pritchett et al.	D32/22
D405,567	S	*	2/1999	Kent et al.	D32/22
D406,928	S	*	3/1999	Rowley et al.	D32/22

D486,614	S	*	2/2004	Beauchamp et al.	D32/22
D536,848	S	*	2/2007	Shin	D32/22
7,373,690	B2	*	5/2008	Sepke et al.	15/410
D633,667	S	*	3/2011	Santiago	D32/22
2002/0174507	A1	*	11/2002	Kasper et al.	15/320
2006/0185113	A1	*	8/2006	Kloeppel et al.	15/320
2007/0256270	A1	*	11/2007	Gordon et al.	15/320
2012/0222234	A1	*	9/2012	DeJonge	15/320
2012/0222235	A1	*	9/2012	Lenkiewicz et al.	15/322
2012/0304416	A1	*	12/2012	Nguyen et al.	15/383
2012/0317746	A1	*	12/2012	Hill et al.	15/320

* cited by examiner

Primary Examiner — Ruth McInroy

(74) *Attorney, Agent, or Firm* — Thompson Coburn LLP

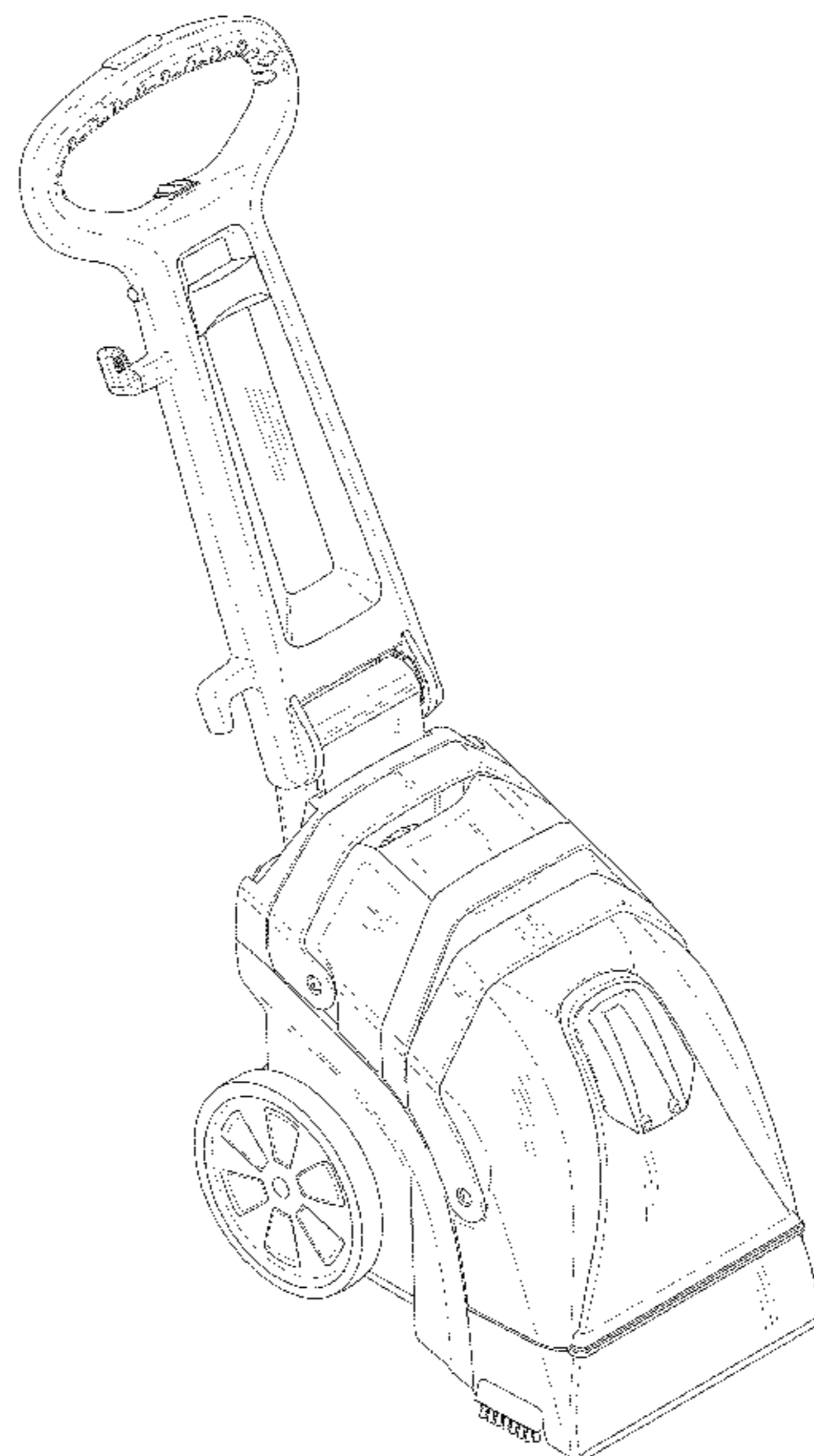
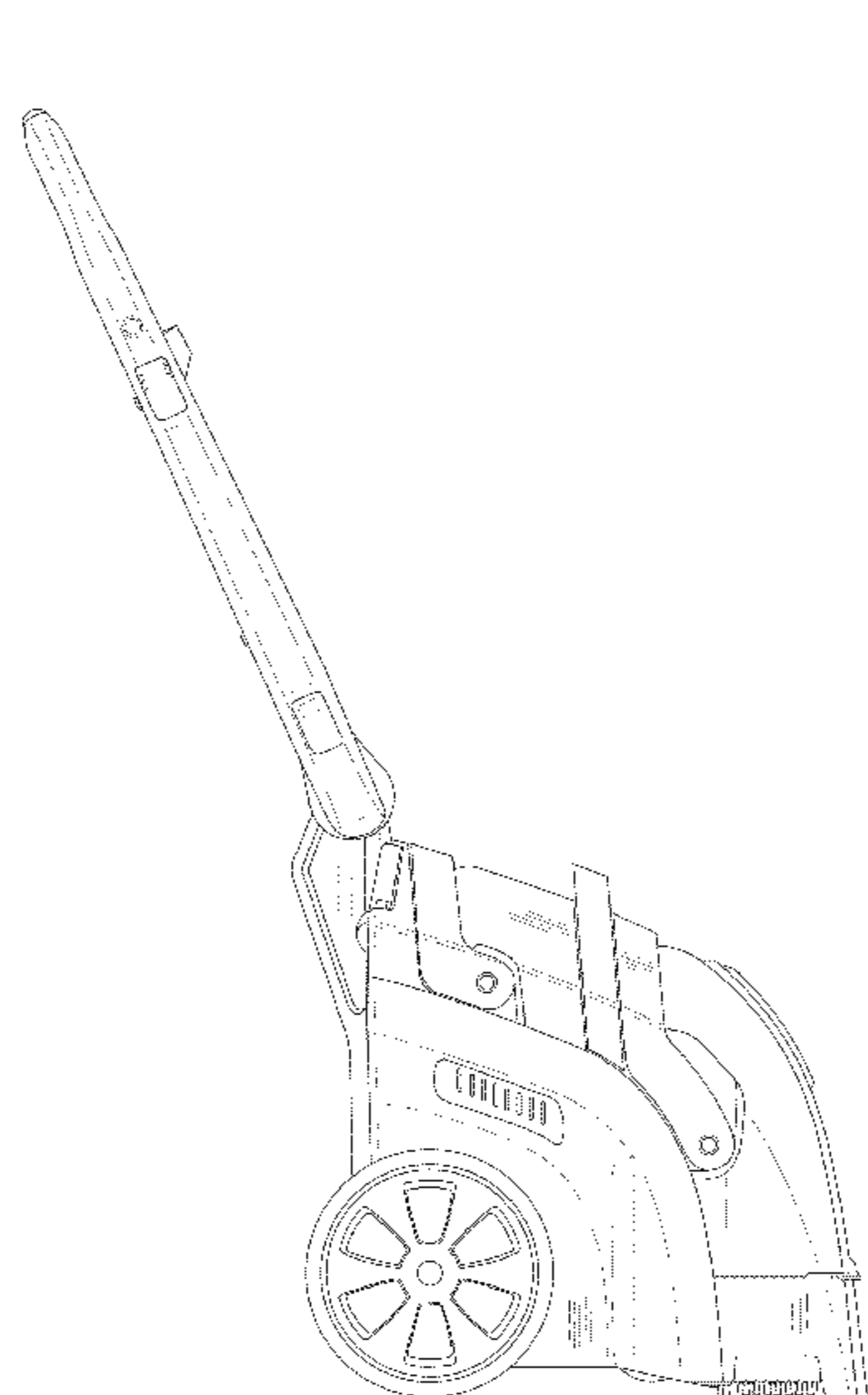
(57) **CLAIM**

The ornamental design for a liquid extraction cleaning device, as shown and described.

DESCRIPTION

FIG. 1 is a front view of a liquid extraction cleaning device showing our new design;
FIG. 2 is a rear view thereof;
FIG. 3 is a right side view thereof;
FIG. 4 is a left side view thereof;
FIG. 5 is a top view thereof;
FIG. 6 is a bottom view thereof;
FIG. 7 is a front, right and top perspective view thereof;
FIG. 8 is a front, left and top perspective view thereof;
FIG. 9 is a rear, right and top perspective view thereof;
FIG. 10 is a rear, left and top perspective view thereof;
FIG. 11 is a front, right and bottom perspective view thereof;
FIG. 12 is a front, left and bottom perspective view thereof;
FIG. 13 is a rear, left and bottom perspective view thereof;
and,
FIG. 14 is a rear, right and bottom perspective view thereof.

1 Claim, 13 Drawing Sheets



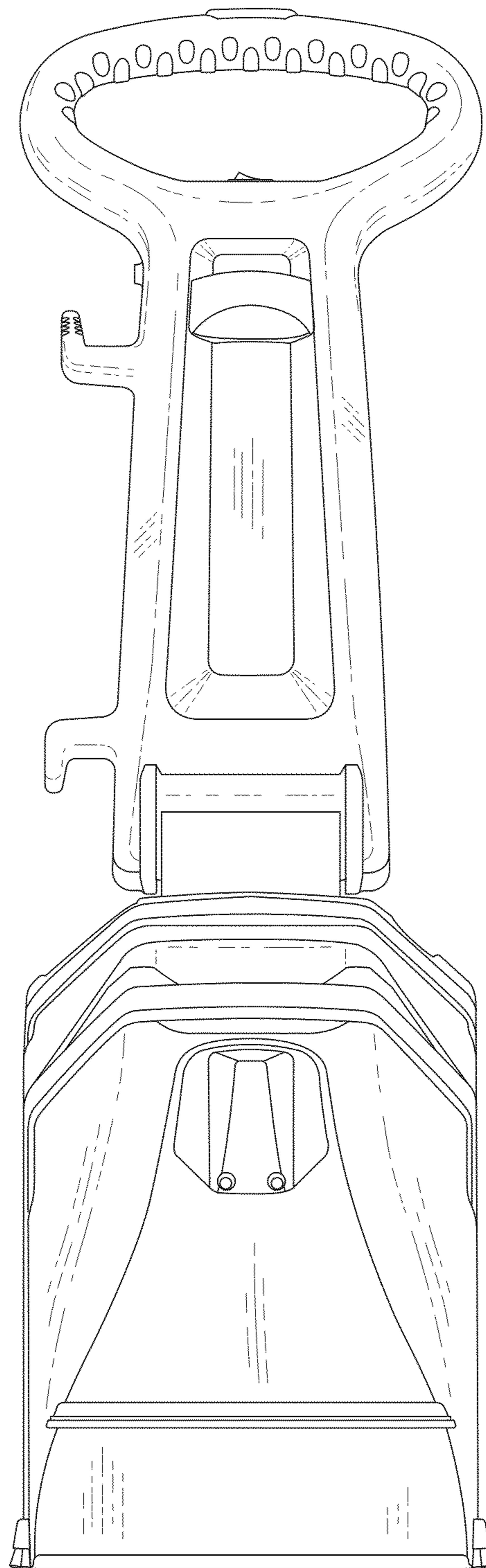


FIG. 1

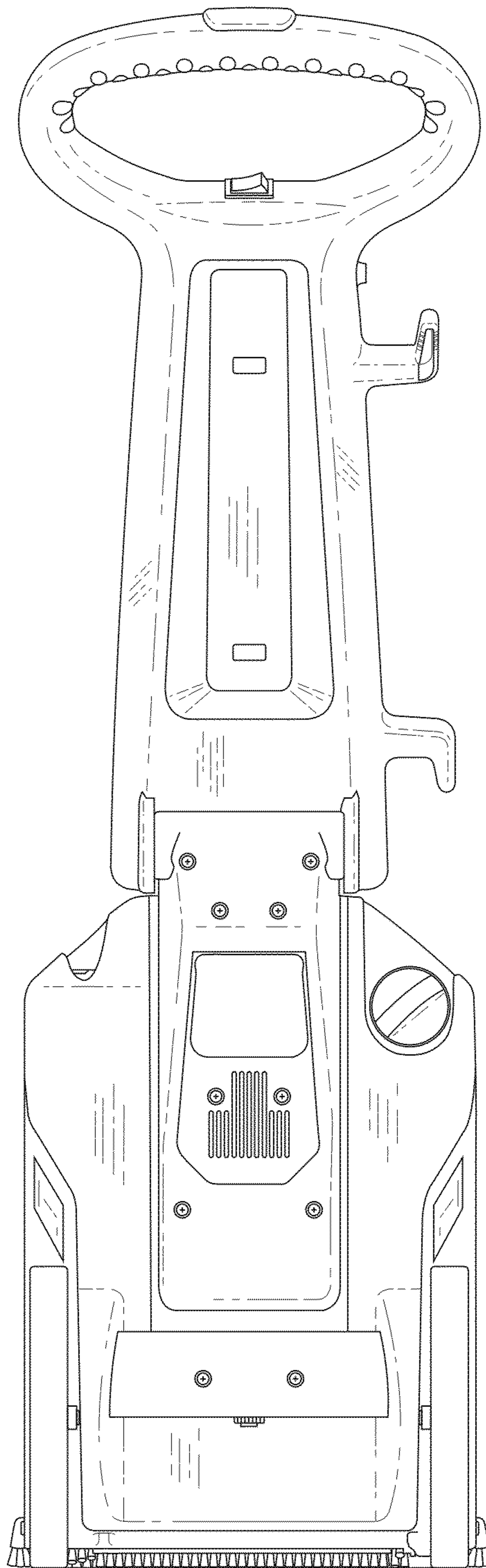


FIG. 2

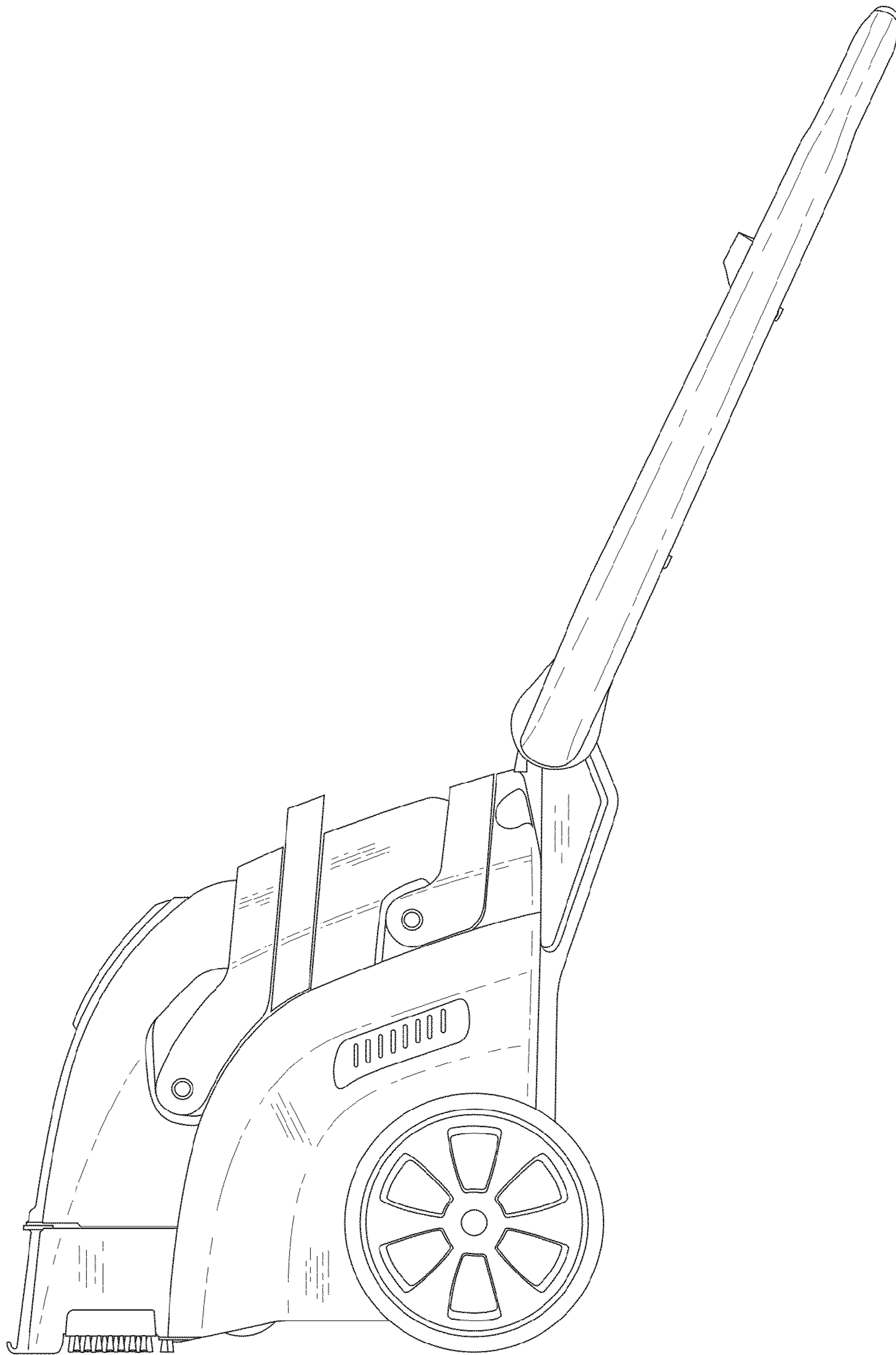


FIG. 3

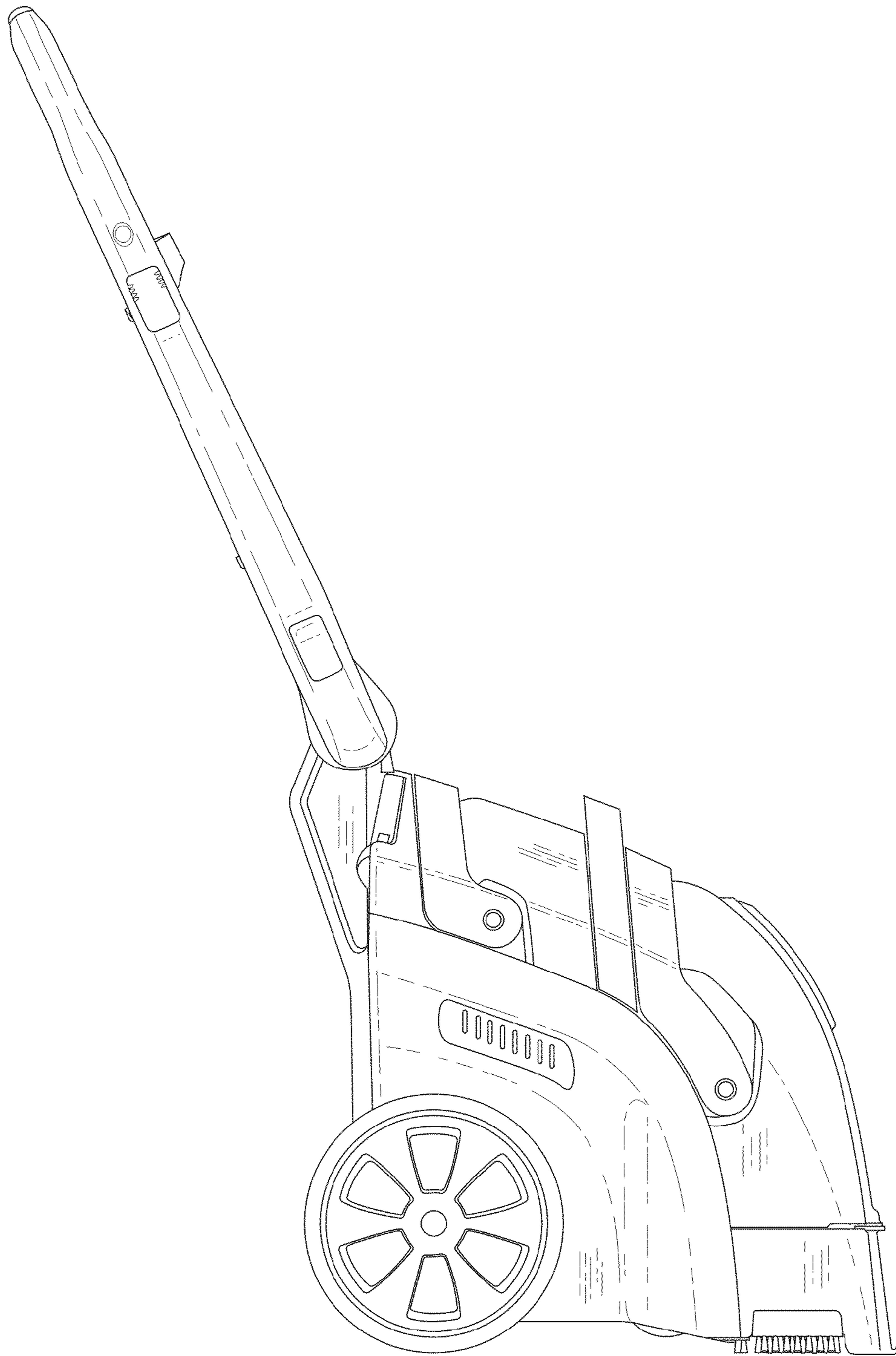


FIG. 4

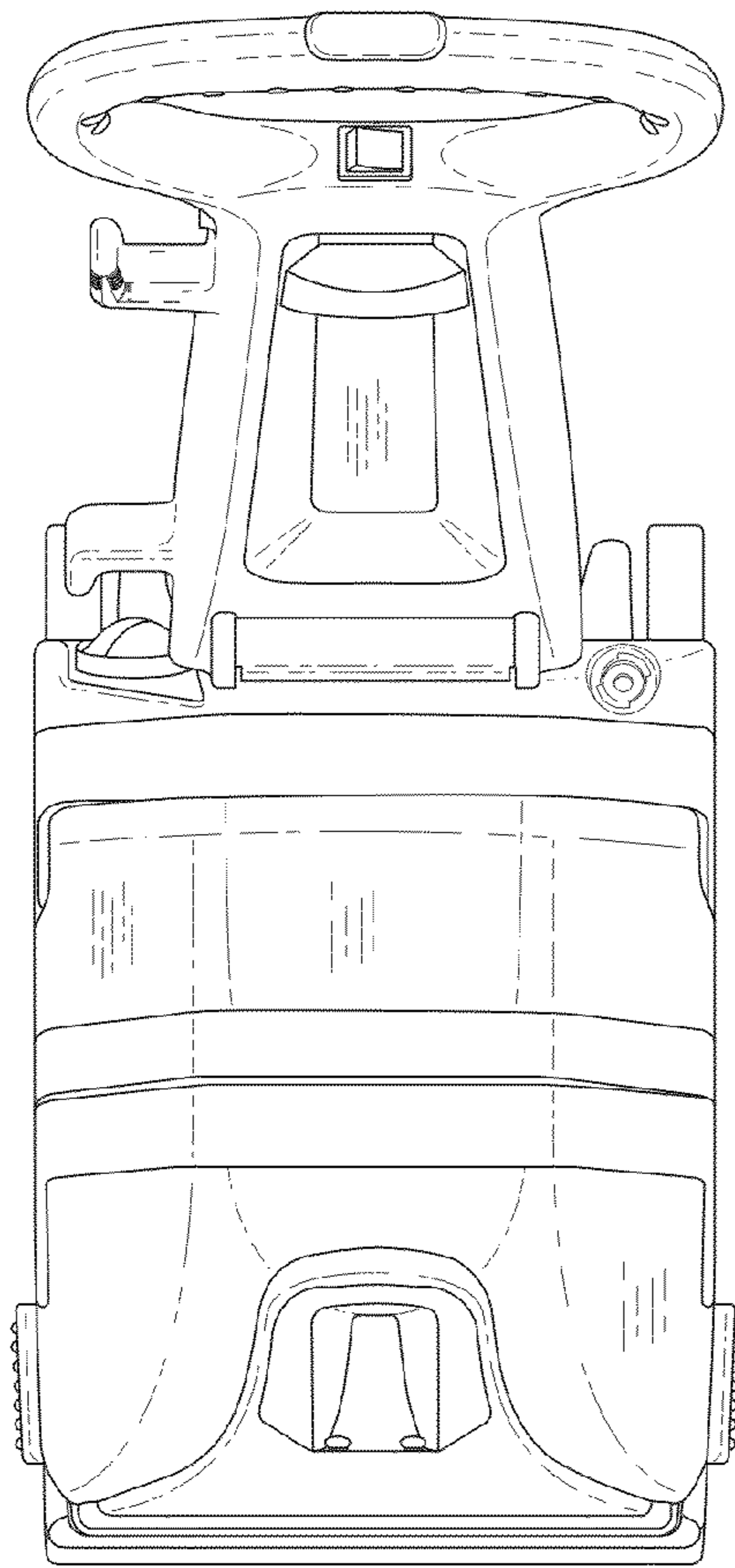


FIG. 5

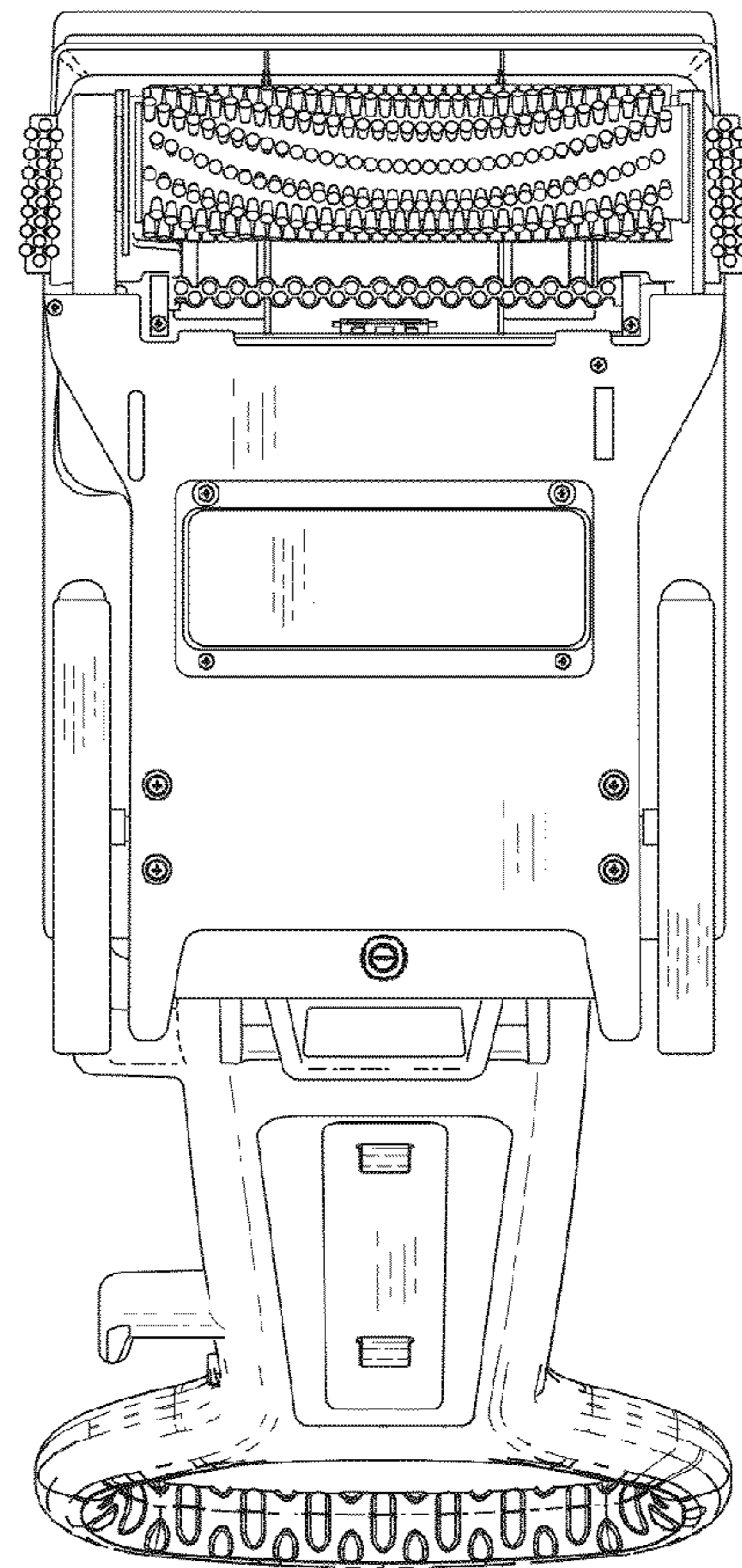


FIG. 6

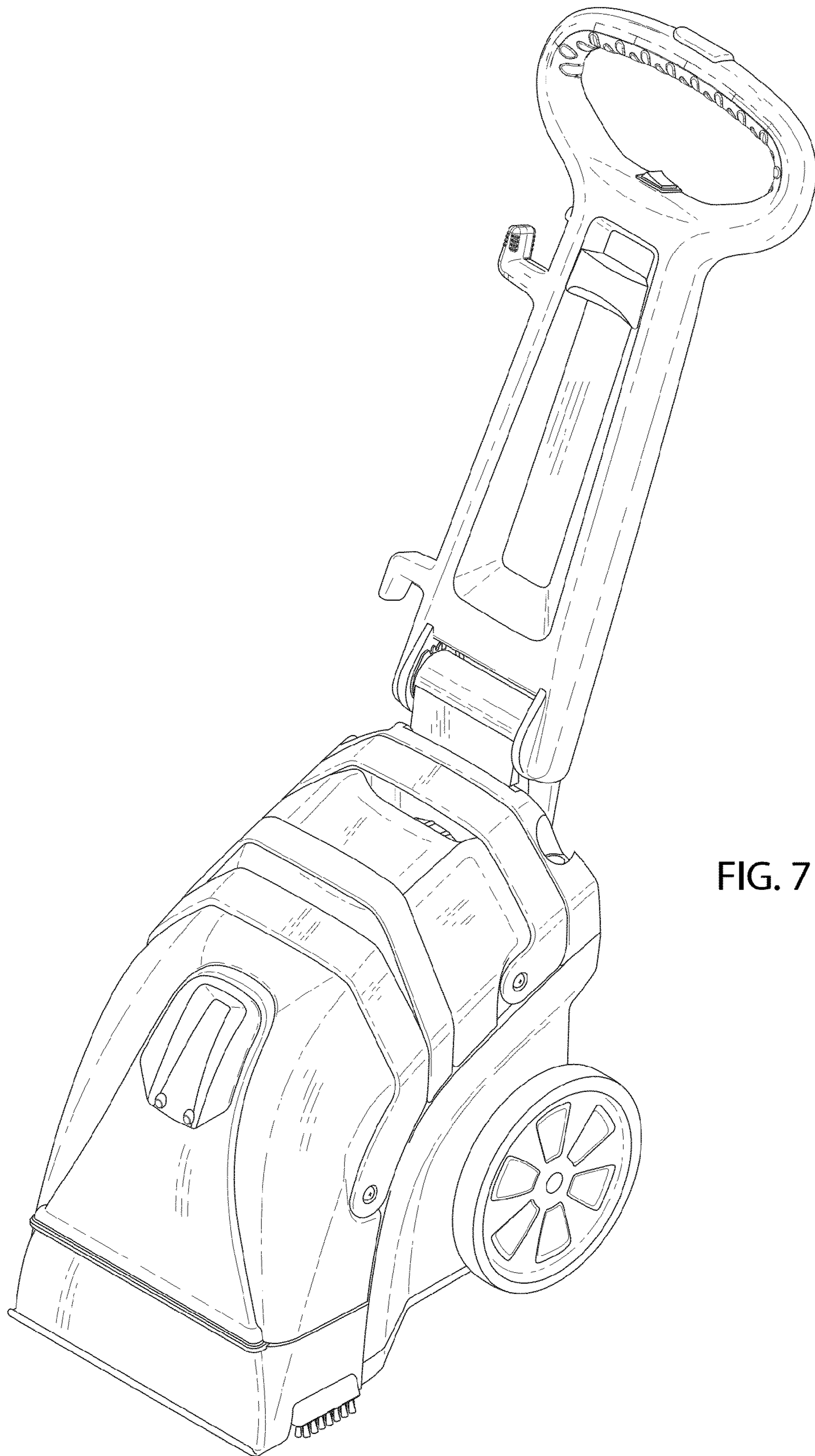


FIG. 7

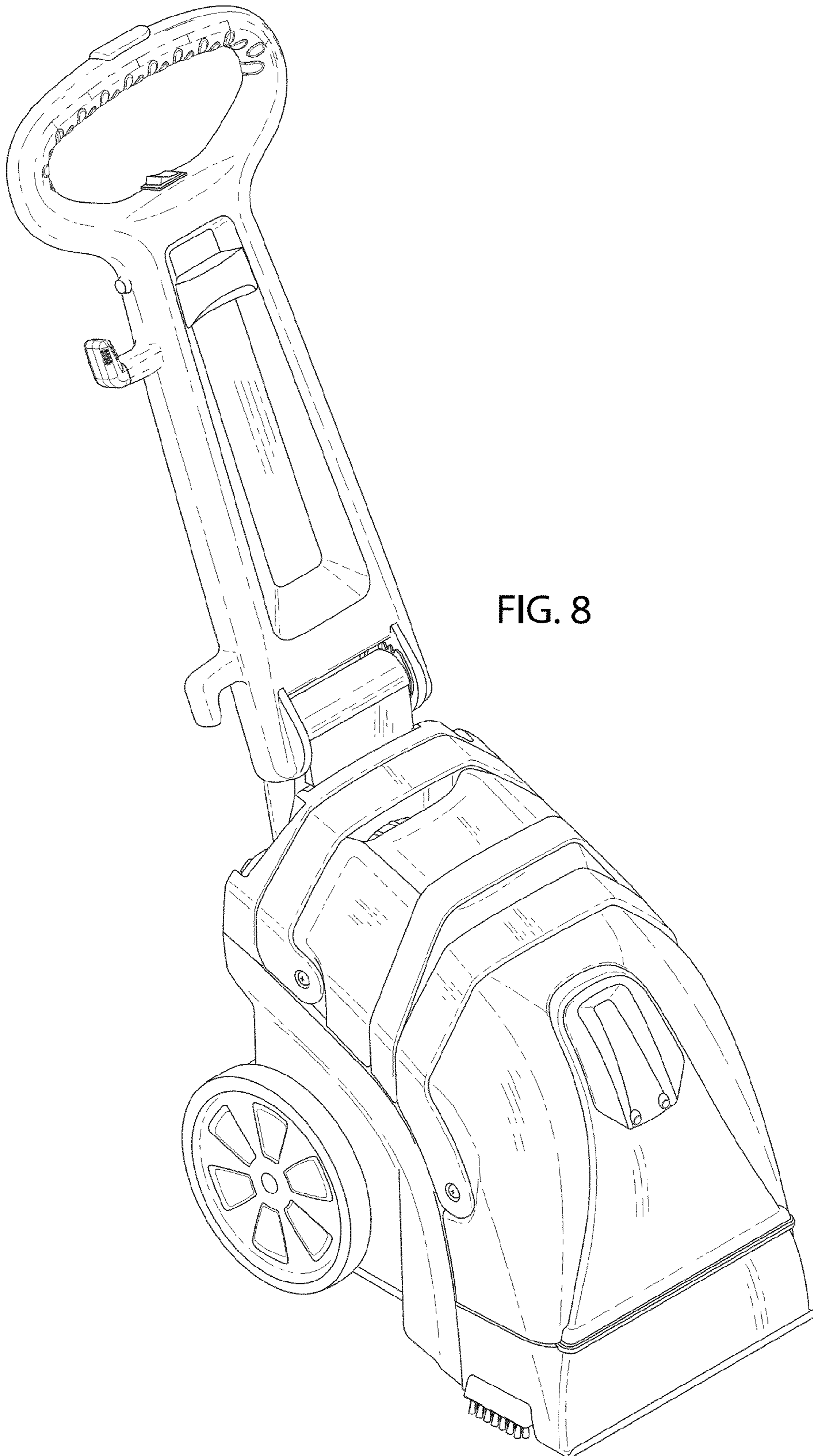


FIG. 8

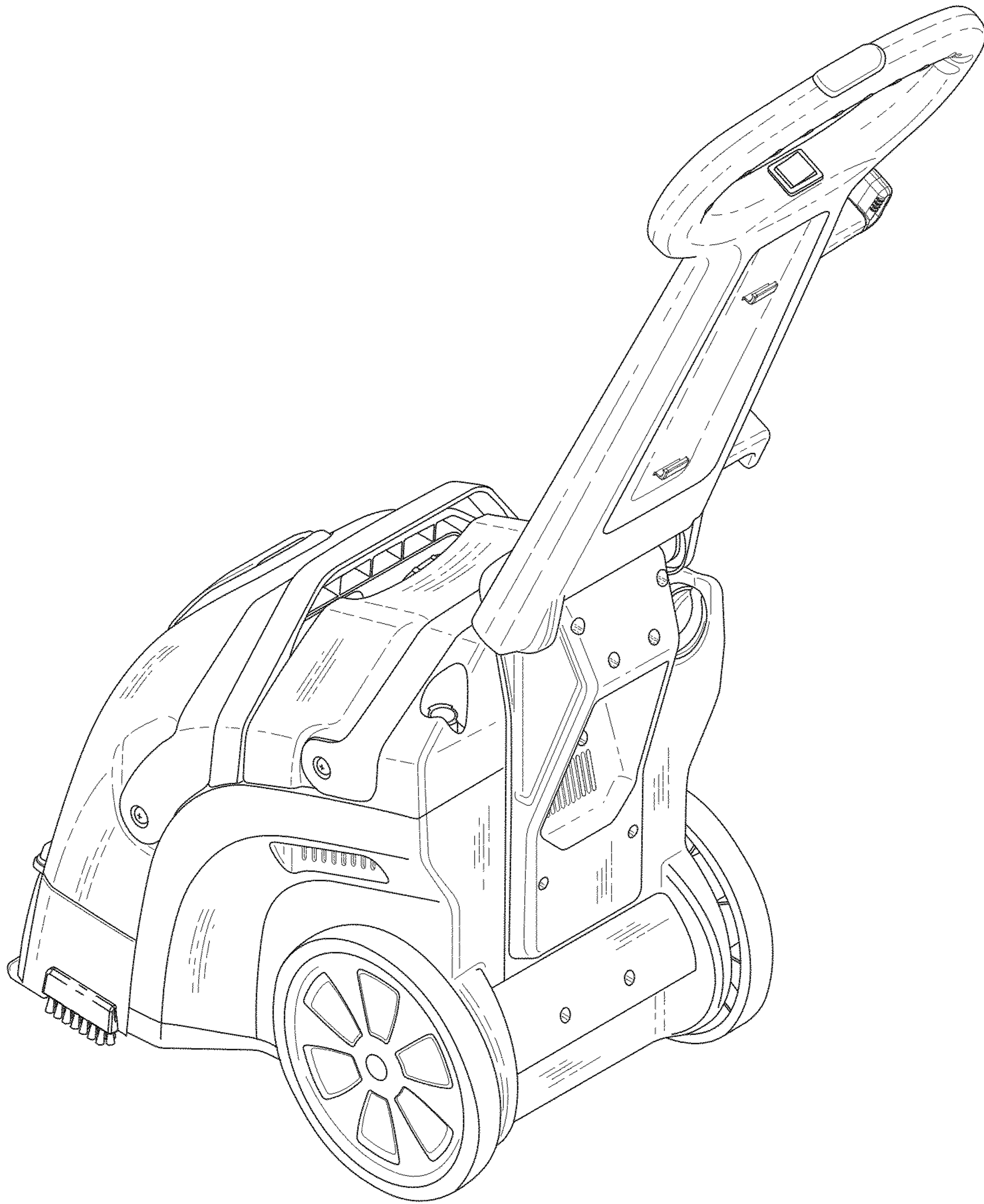


FIG. 9

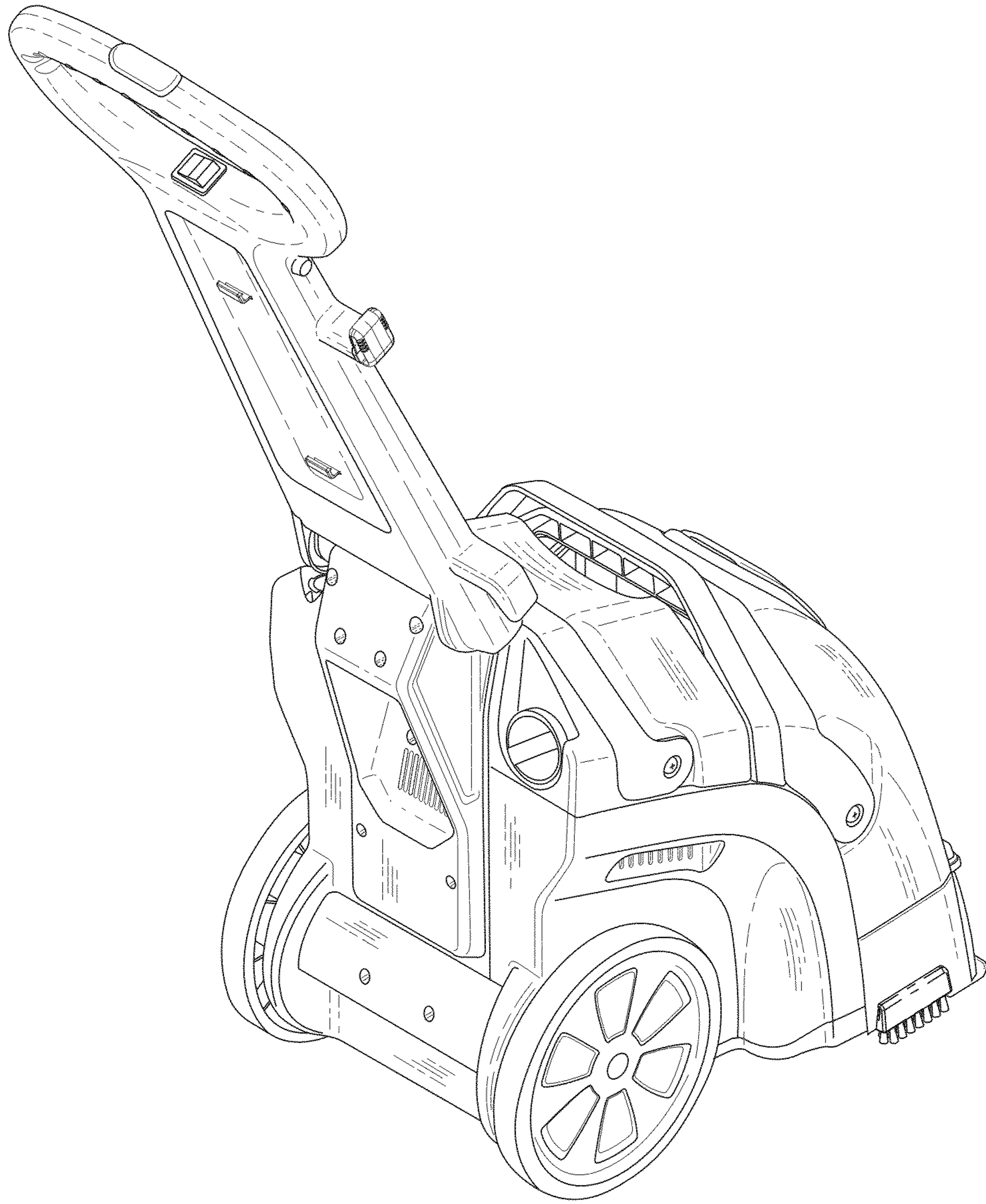


FIG. 10

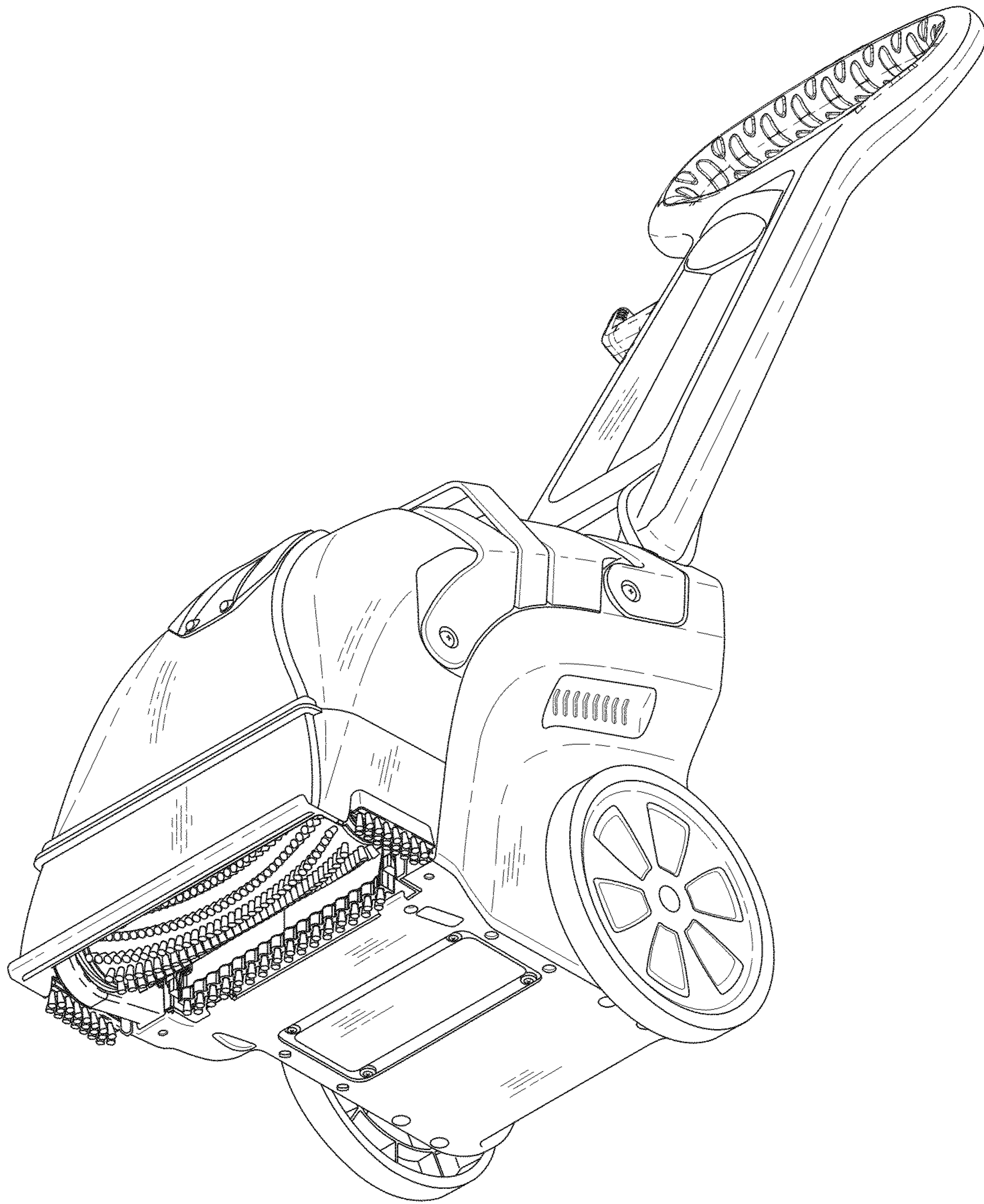


FIG. 11

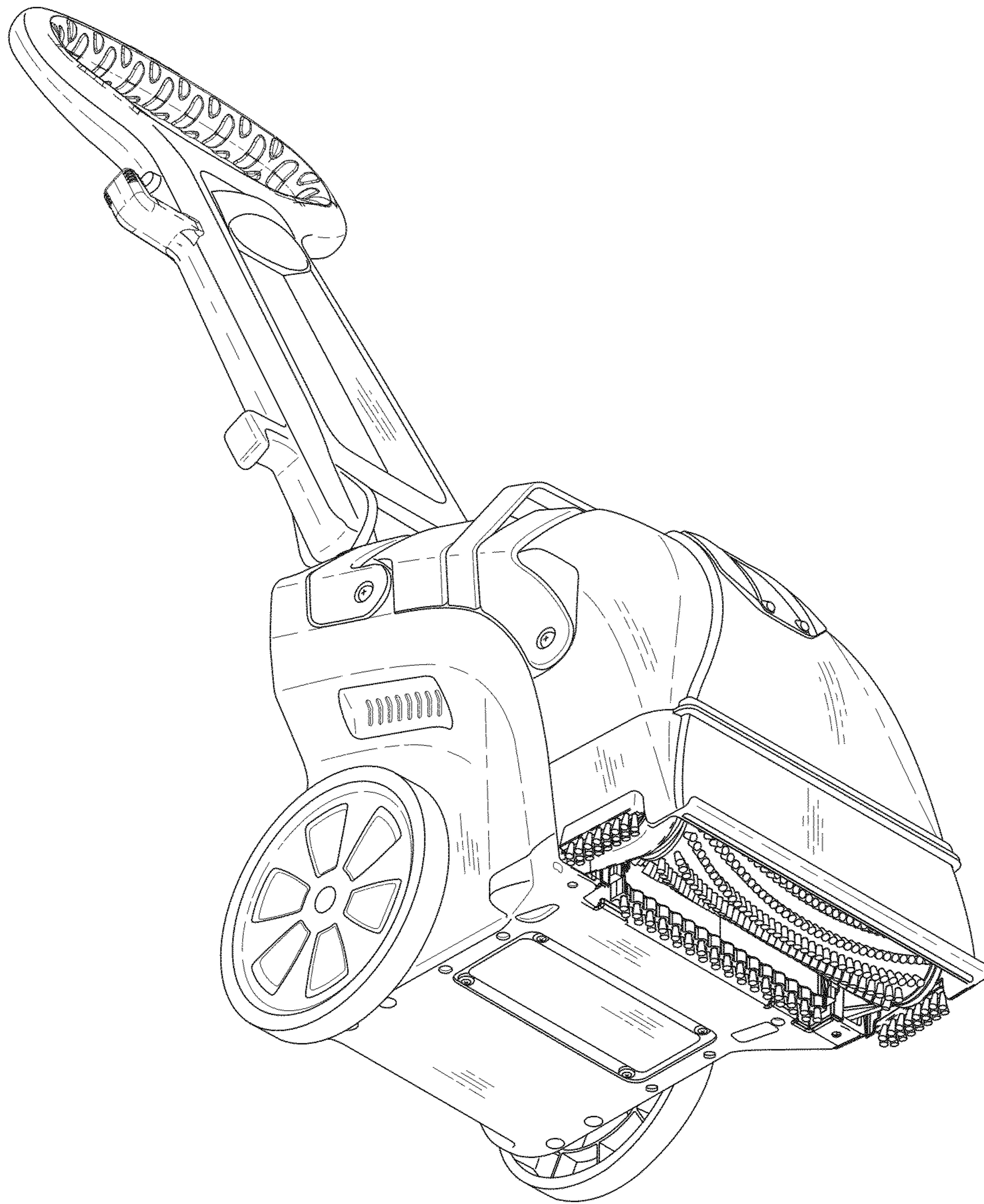


FIG. 12

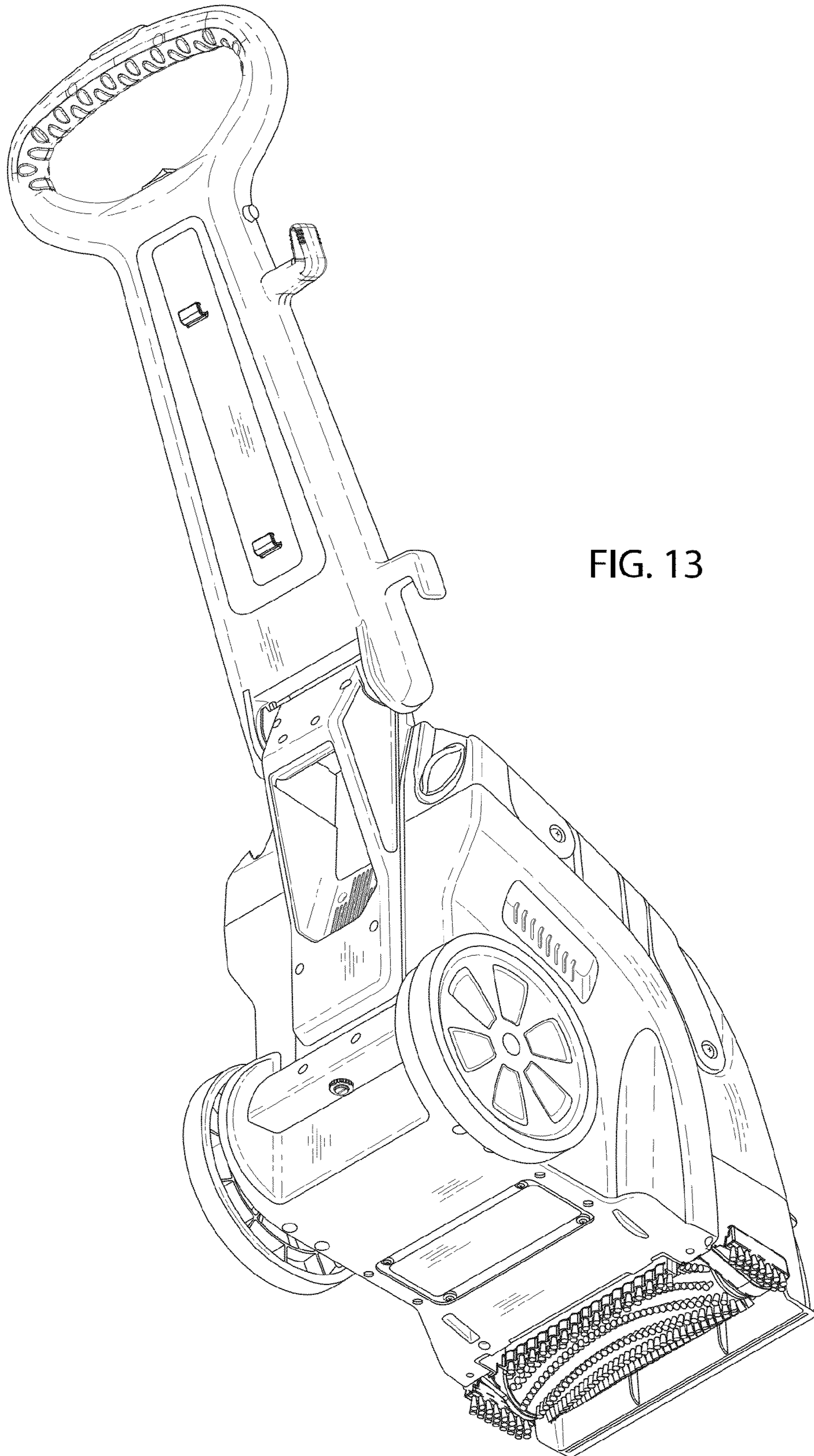


FIG. 13

FIG. 14

