



US00D728873S

(12) **United States Design Patent**  
**Renaud et al.**

(10) **Patent No.:** **US D728,873 S**  
(45) **Date of Patent:** **\*\* May 5, 2015**

(54) **POOL CLEANER**

(71) Applicant: **Hayward Industries, Inc.**, Elizabeth, NJ (US)

(72) Inventors: **Benoit Renaud**, Clemmons, NC (US);  
**David Hardy**, Clemmons, NC (US)

(73) Assignee: **Hayward Industries, Inc.**, Elizabeth, NJ (US)

(\*\*) Term: **14 Years**

(21) Appl. No.: **29/449,502**

(22) Filed: **Mar. 15, 2013**

(51) **LOC (10) Cl.** ..... **15-05**

(52) **U.S. Cl.**  
USPC ..... **D32/21**

(58) **Field of Classification Search**  
USPC ..... D32/18, 21, 22, 31; 15/1, 7, 344;  
210/167.1, 241, 167.12, 167.15,  
210/167.16

See application file for complete search history.

(56) **References Cited**

**U.S. PATENT DOCUMENTS**

D376,450	S	12/1996	Campbell et al.	
D418,640	S *	1/2000	Veloskey et al.	D32/1
D421,512	S *	3/2000	Campbell	D32/1
6,039,886	A	3/2000	Henkin et al.	
6,090,219	A	7/2000	Henkin et al.	
D433,545	S	11/2000	Hollinger et al.	
D445,225	S *	7/2001	Schaub	D32/15
6,365,039	B1	4/2002	Henkin et al.	
6,387,250	B1	5/2002	Henkin et al.	
D471,330	S *	3/2003	Campbell	D32/21
D481,181	S	10/2003	Lath et al.	
RE38,479	E	3/2004	Henkin et al.	
7,145,074	B2	12/2006	Henkin et al.	

7,318,448	B2	1/2008	Fleischer et al.	
D575,915	S *	8/2008	Dreyer	D32/15
7,507,332	B2	3/2009	Henkin et al.	
D598,168	S *	8/2009	Sumonthee	D32/21
D599,967	S *	9/2009	Blanc-Tailleur	D32/1
D630,808	S *	1/2011	Dye et al.	D32/21
D630,809	S	1/2011	Dye et al.	
8,117,704	B2 *	2/2012	Schneider et al.	15/1.7
8,141,191	B2 *	3/2012	Hui	15/1.7
8,555,445	B2 *	10/2013	Fu et al.	15/1.7
8,595,880	B2 *	12/2013	Pichon et al.	15/1.7
2008/0060984	A1	3/2008	Henkin et al.	
2008/0202997	A1	8/2008	Davidson et al.	
2011/0302728	A1 *	12/2011	Sumonthee	15/1.7
2012/0102664	A1 *	5/2012	Hui et al.	15/1.7
2012/0279001	A1 *	11/2012	Fu et al.	15/1.7
2013/0091641	A1 *	4/2013	Ben Zion	15/1.7

**FOREIGN PATENT DOCUMENTS**

WO	WO 2006/121808	11/2006
WO	WO 2007/055960	5/2007

\* cited by examiner

*Primary Examiner* — Ruth McInroy

(74) *Attorney, Agent, or Firm* — McCarter & English, LLP

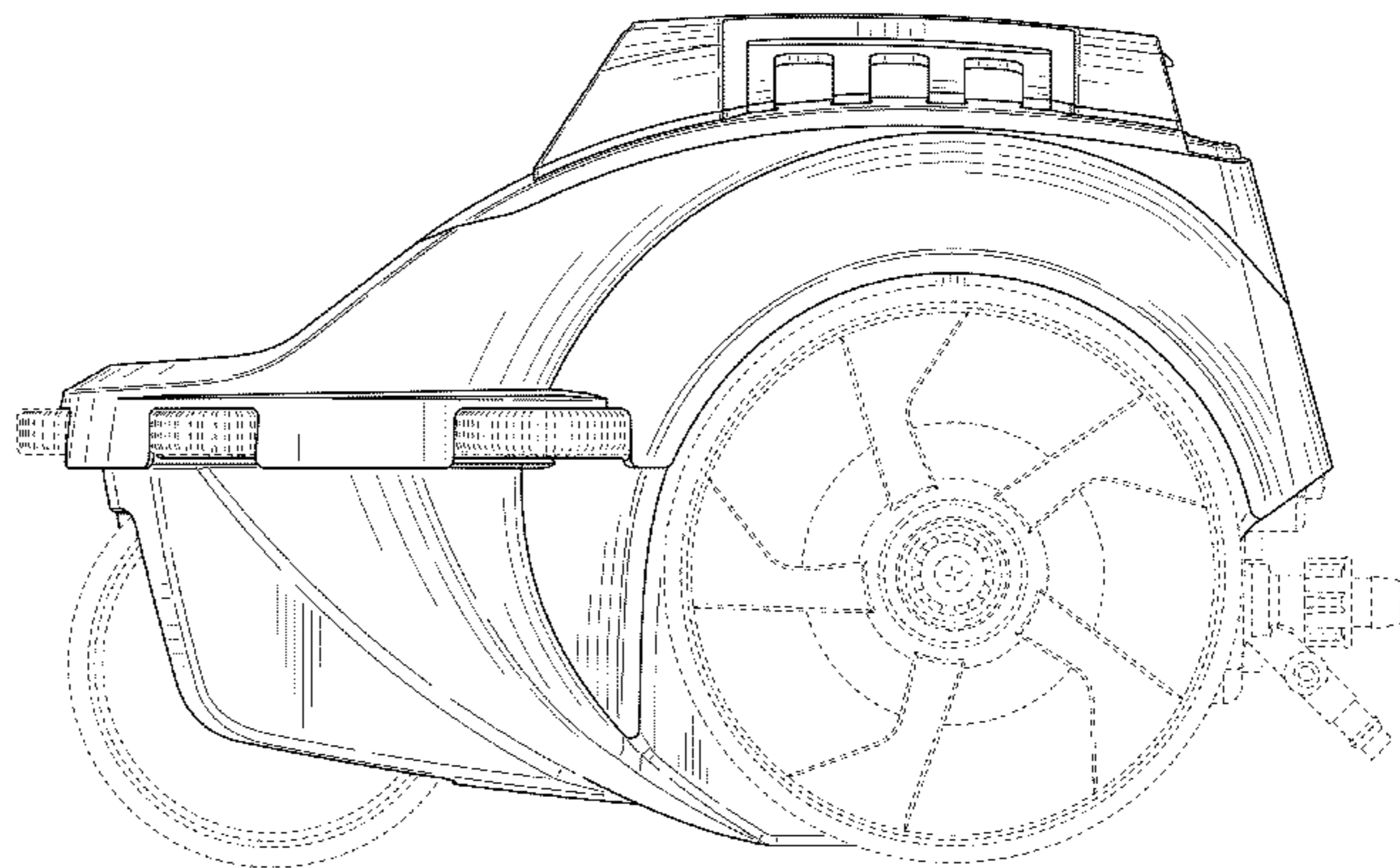
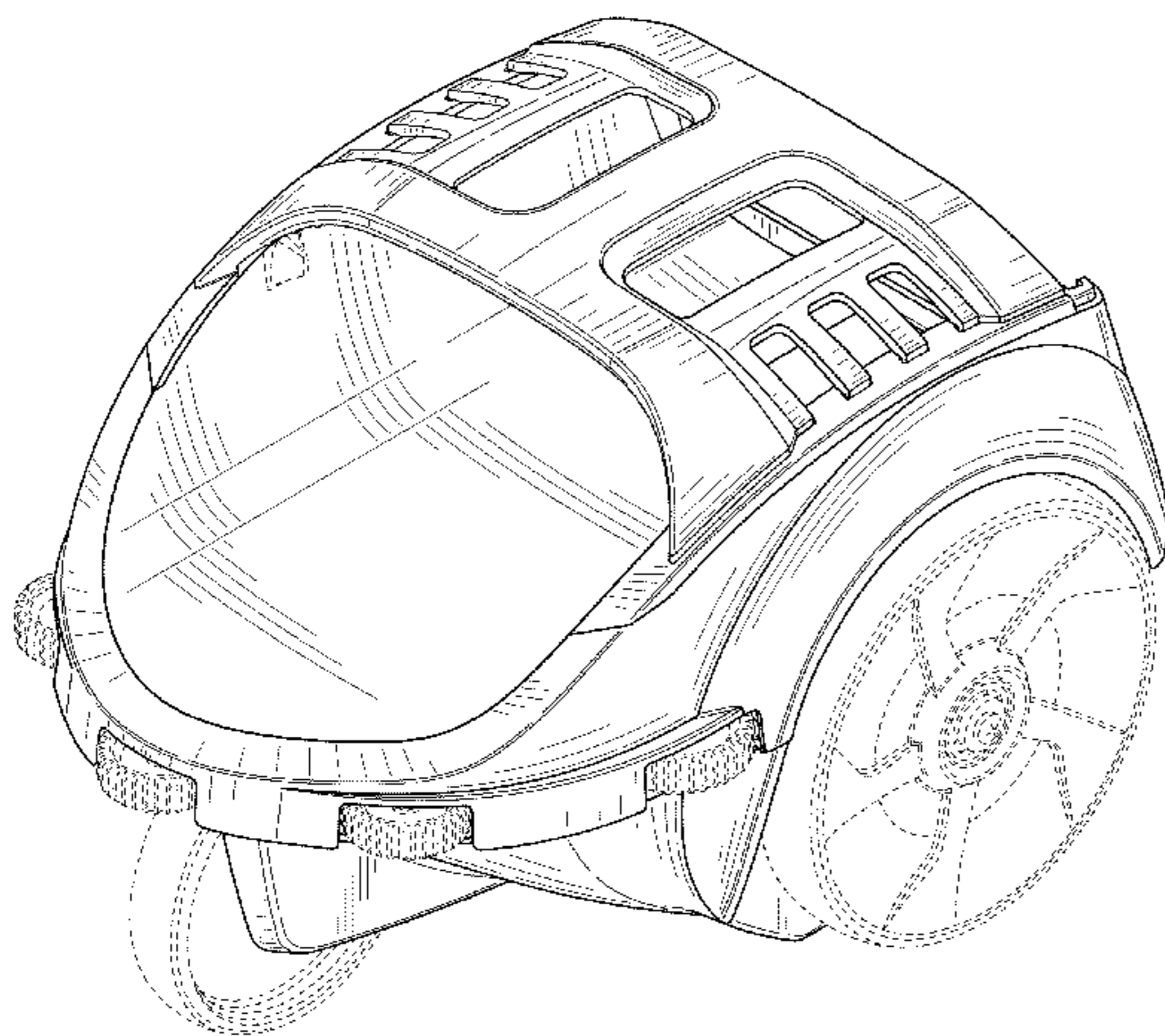
(57) **CLAIM**

We claim the ornamental design for a pool cleaner, as shown and described.

**DESCRIPTION**

FIG. 1 is a front perspective view of a pool cleaner;  
FIG. 2 is a front view thereof;  
FIG. 3 is a rear view thereof;  
FIG. 4 is a right side view thereof;  
FIG. 5 is a left side view thereof; and,  
FIG. 6 is a top view thereof.  
The broken lines shown herein are for illustrative purposes only, and form no part of the claimed design.

**1 Claim, 6 Drawing Sheets**



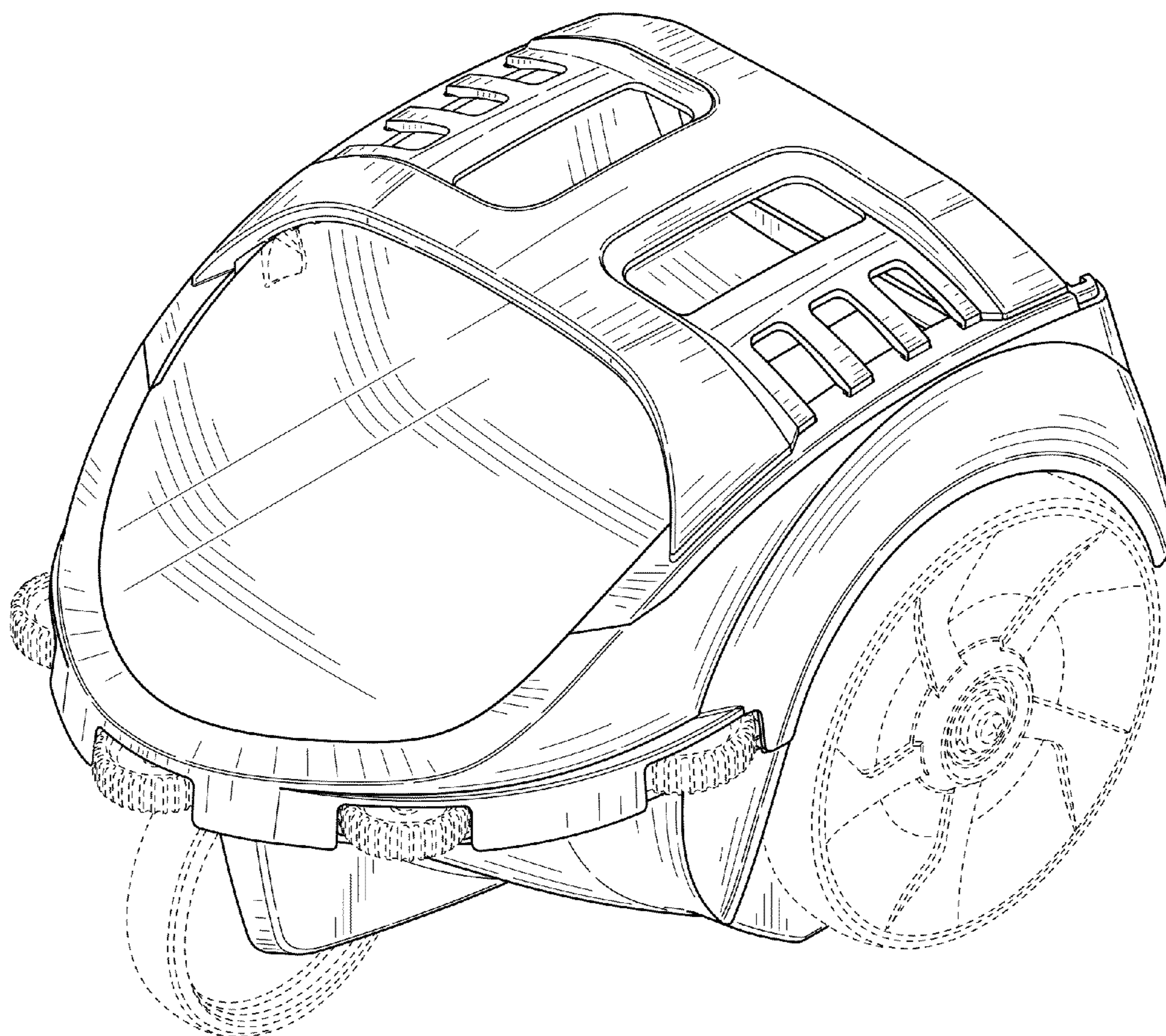


FIG. 1



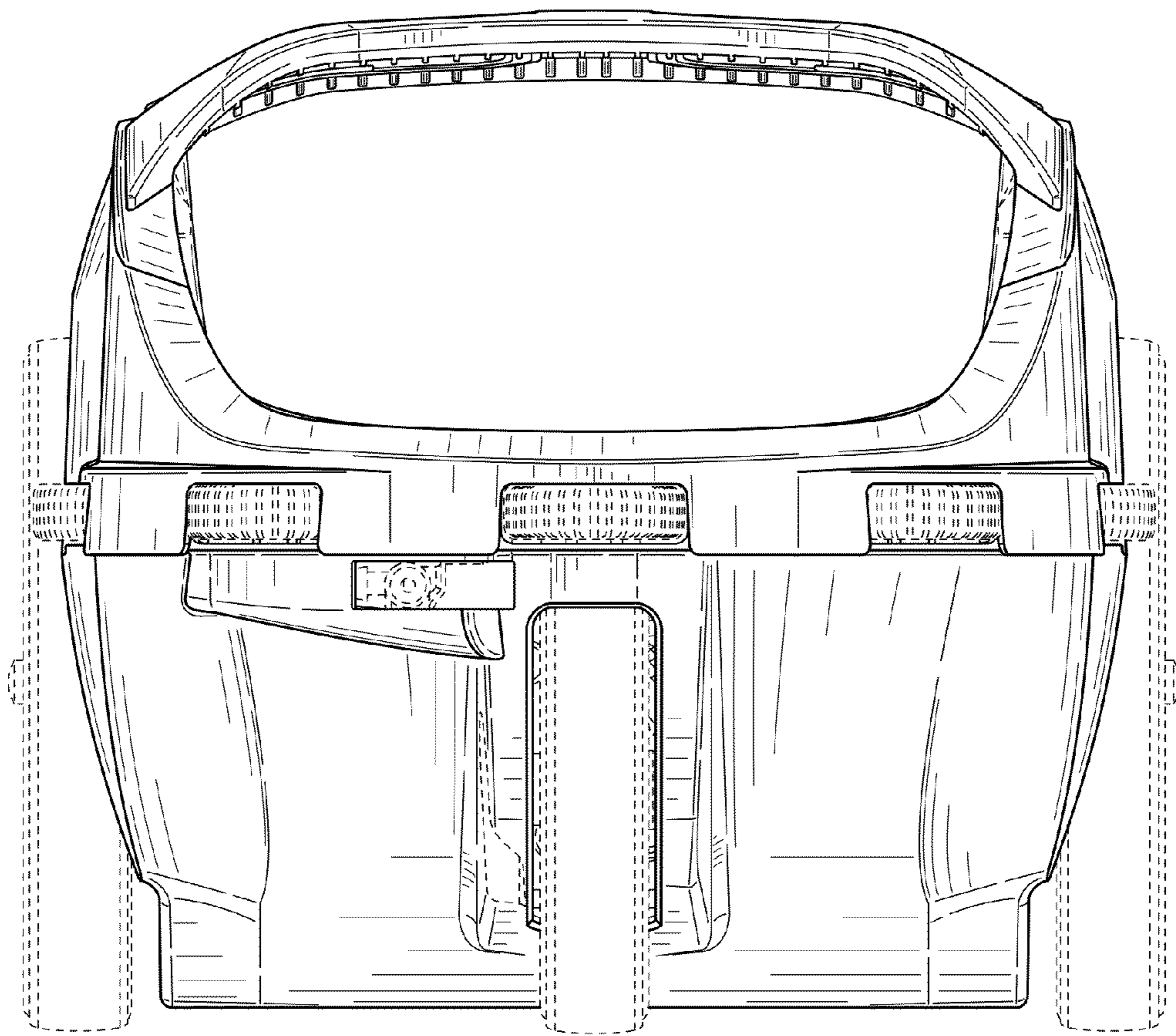


FIG. 2

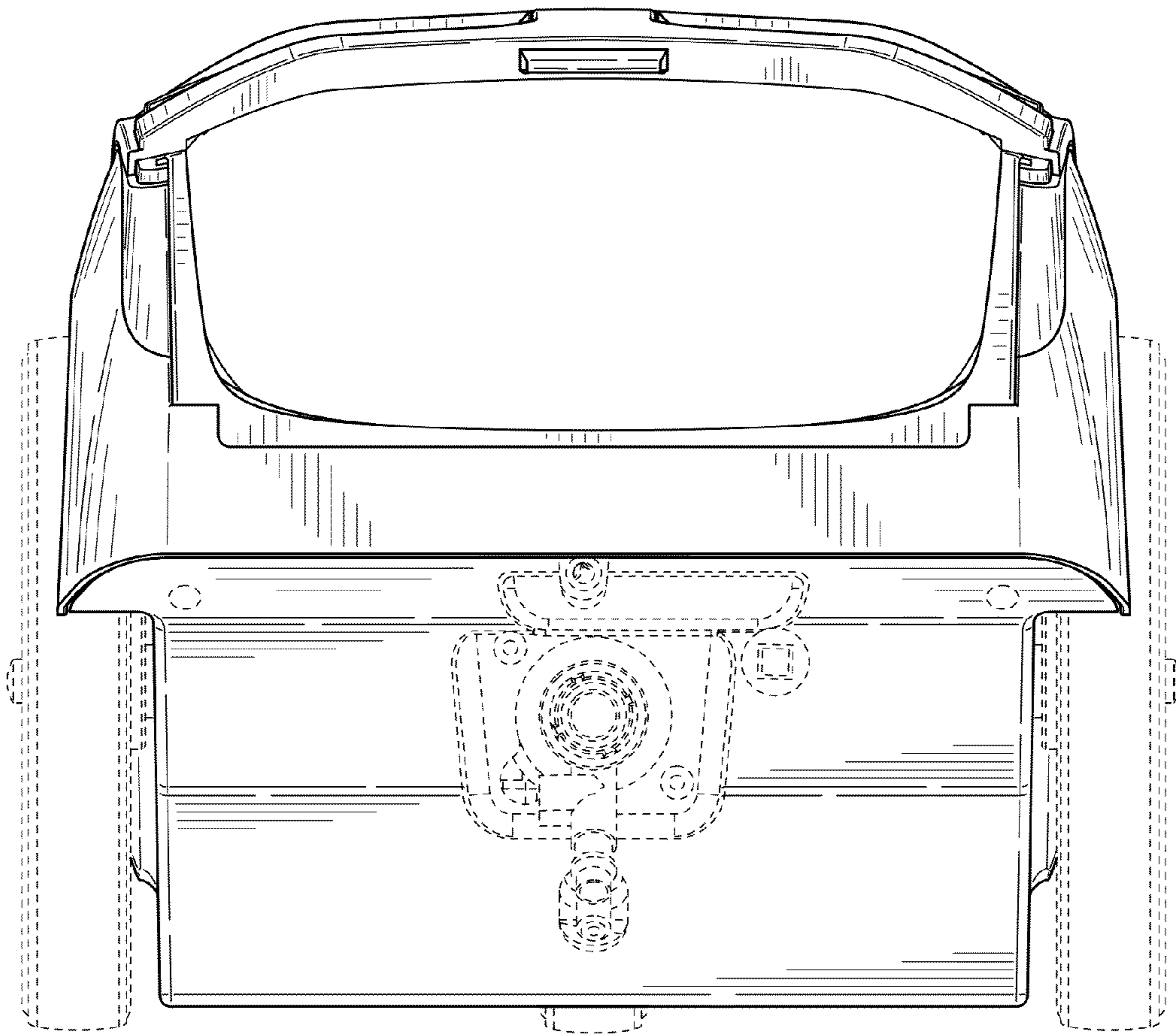


FIG. 3

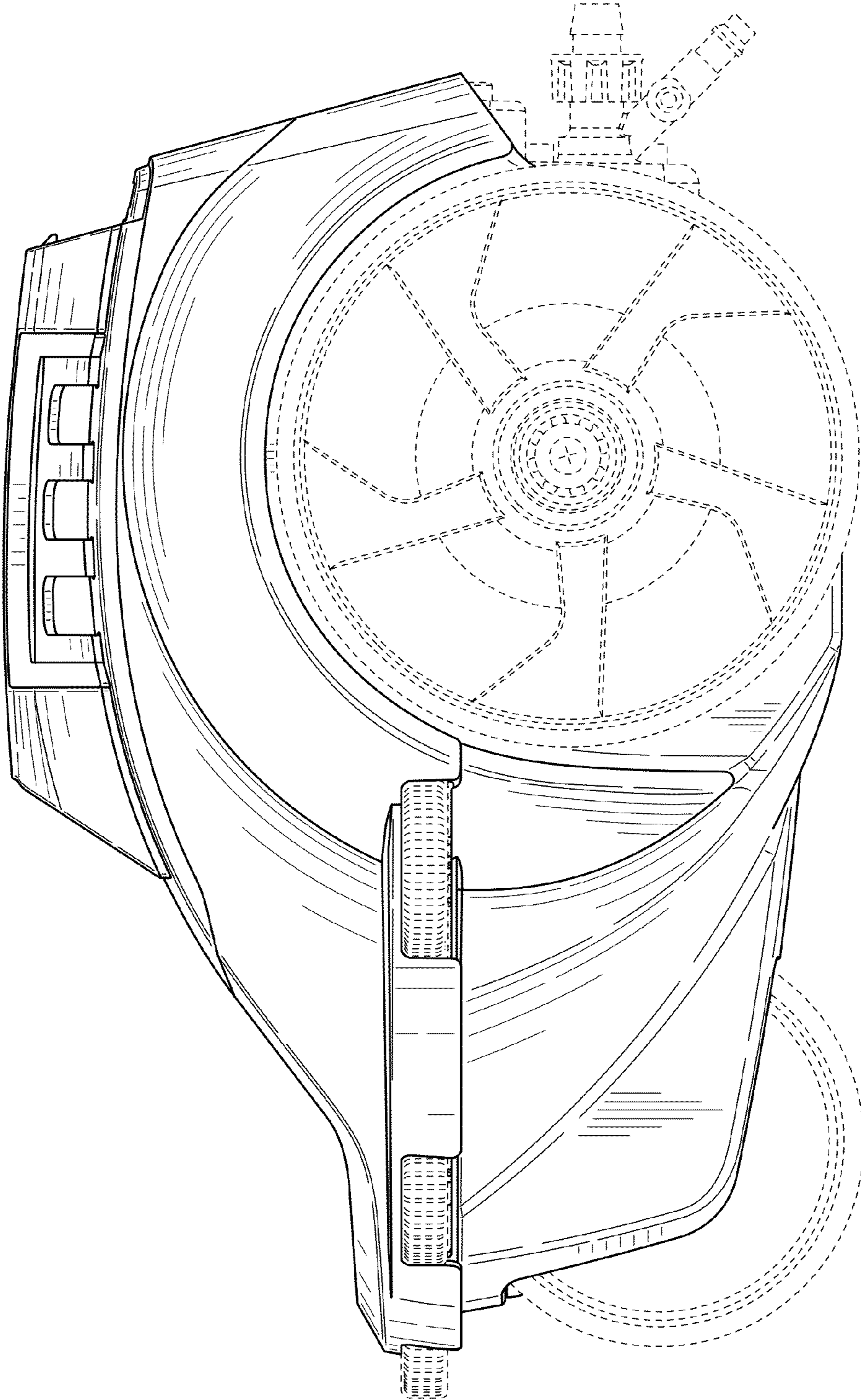


FIG. 4



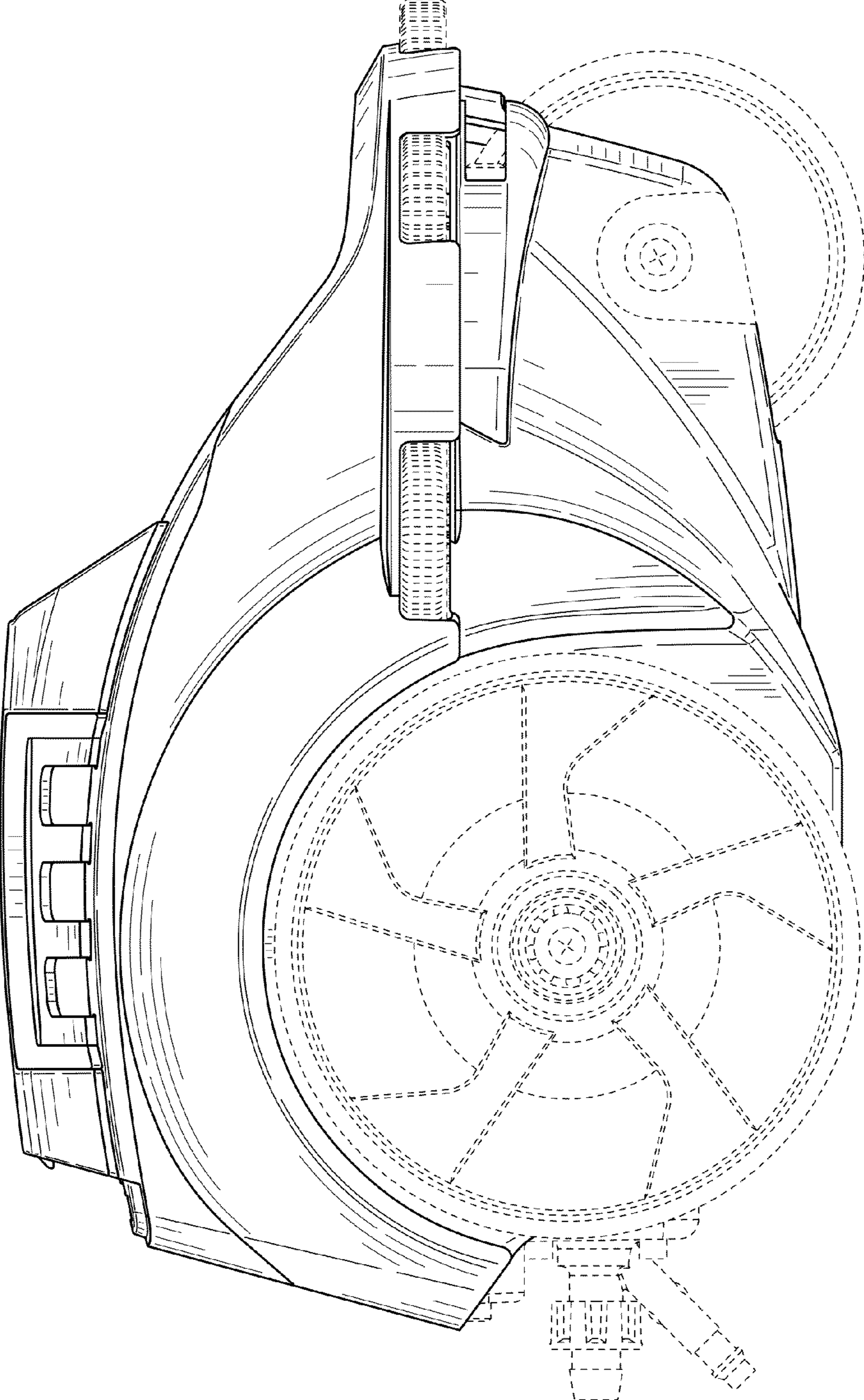


FIG. 5

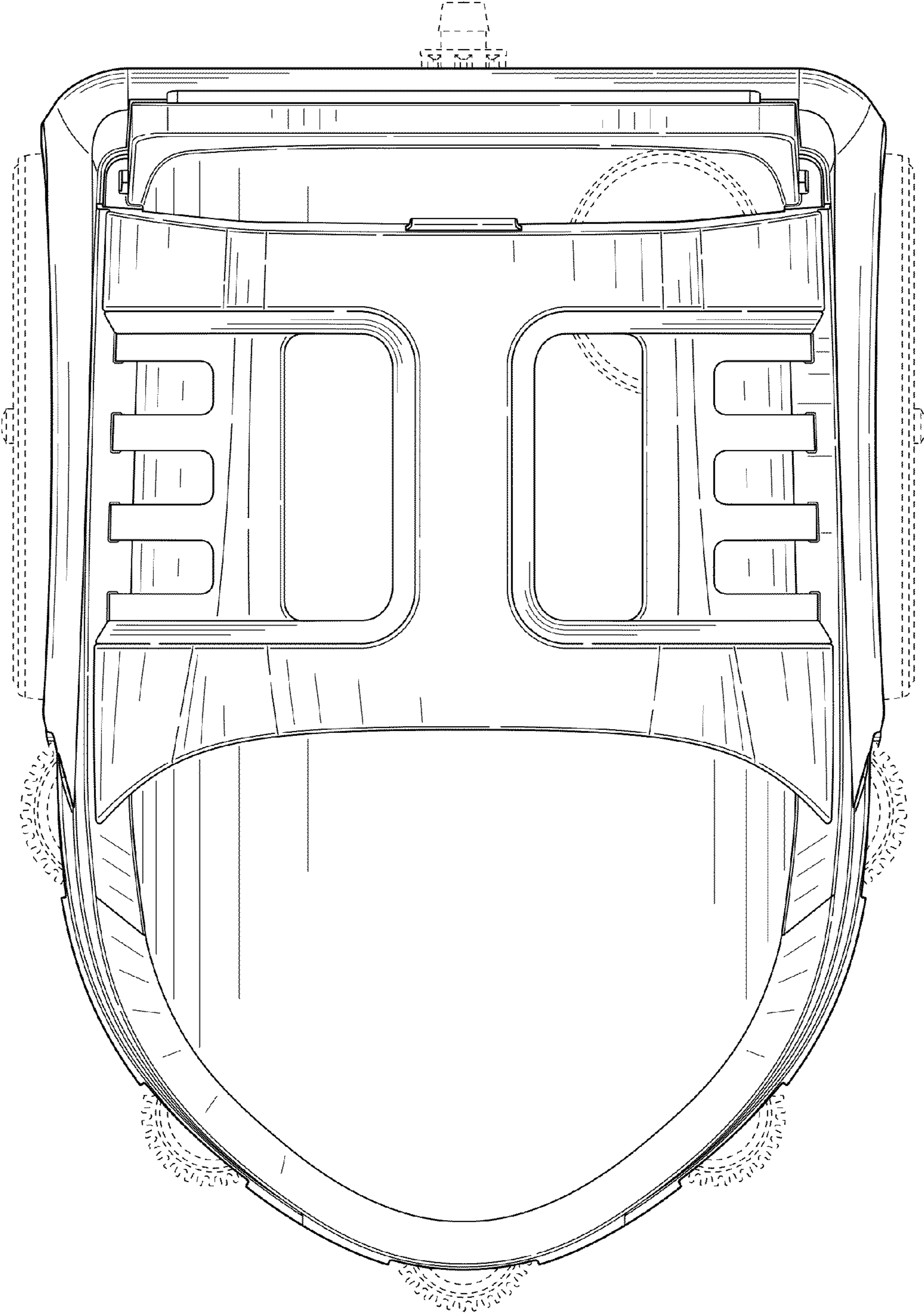


FIG. 6