



US00D728871S

(12) **United States Design Patent**
Masalin et al.

(10) **Patent No.:** **US D728,871 S**
(45) **Date of Patent:** **** May 5, 2015**

(54) **BROOM**

(71) Applicant: **Fiskars Brands Finland Oy Ab**, Billnäs (FI)

(72) Inventors: **Petteri Masalin**, Helsinki (FI); **Vesa Korjus**, Lahti (FI); **Jouni Salojärvi**, Helsinki (FI); **Egon Missik**, Lahti (FI); **Pirkka Haimi**, Lahti (FI)

(73) Assignee: **Fiskars Brands Finland Oy Ab**, Billnäs (FI)

(**) Term: **14 Years**

(21) Appl. No.: **29/440,362**

(22) Filed: **Dec. 20, 2012**

(30) **Foreign Application Priority Data**

Jul. 2, 2012 (EM) 002066605-0002

(51) **LOC (10) Cl.** **04-01**

(52) **U.S. Cl.**
USPC **D32/5**

(58) **Field of Classification Search**
USPC 15/145; D4/129, 134, 115, 135, 199, D4/102, 118; D21/532; D32/50
See application file for complete search history.

(56) **References Cited**

U.S. PATENT DOCUMENTS

3,218,662 A * 11/1965 Fielder, Jr. 15/145
D245,462 S * 8/1977 Hauf et al. D4/129
D277,524 S * 2/1985 Kubick D4/134
D287,173 S * 12/1986 Libman D32/51
D290,553 S * 6/1987 Clivio et al. D4/115
D299,289 S * 1/1989 Machacek D4/134
D307,517 S * 5/1990 Mallory et al. D4/116

D311,645 S * 10/1990 Warwick et al. D4/115
D315,642 S * 3/1991 Furgale D4/135
D346,187 S * 4/1994 Kino D21/532

(Continued)

FOREIGN PATENT DOCUMENTS

CN 301296955 * 8/2010
DE 49904489-0002 11/1999

(Continued)

OTHER PUBLICATIONS

Colourworks Pink Long Broom, Announced Jan. 27, 2012, [Site Visited Dec. 8, 2014], <http://www.cheap-e-deals.com/cargo/brushes-brooms-room-care/colourworks-pink-long-broom/88812.html>.*

(Continued)

Primary Examiner — John Windmuller

Assistant Examiner — Luqman McNeil

(74) *Attorney, Agent, or Firm* — Foley & Lardner LLP

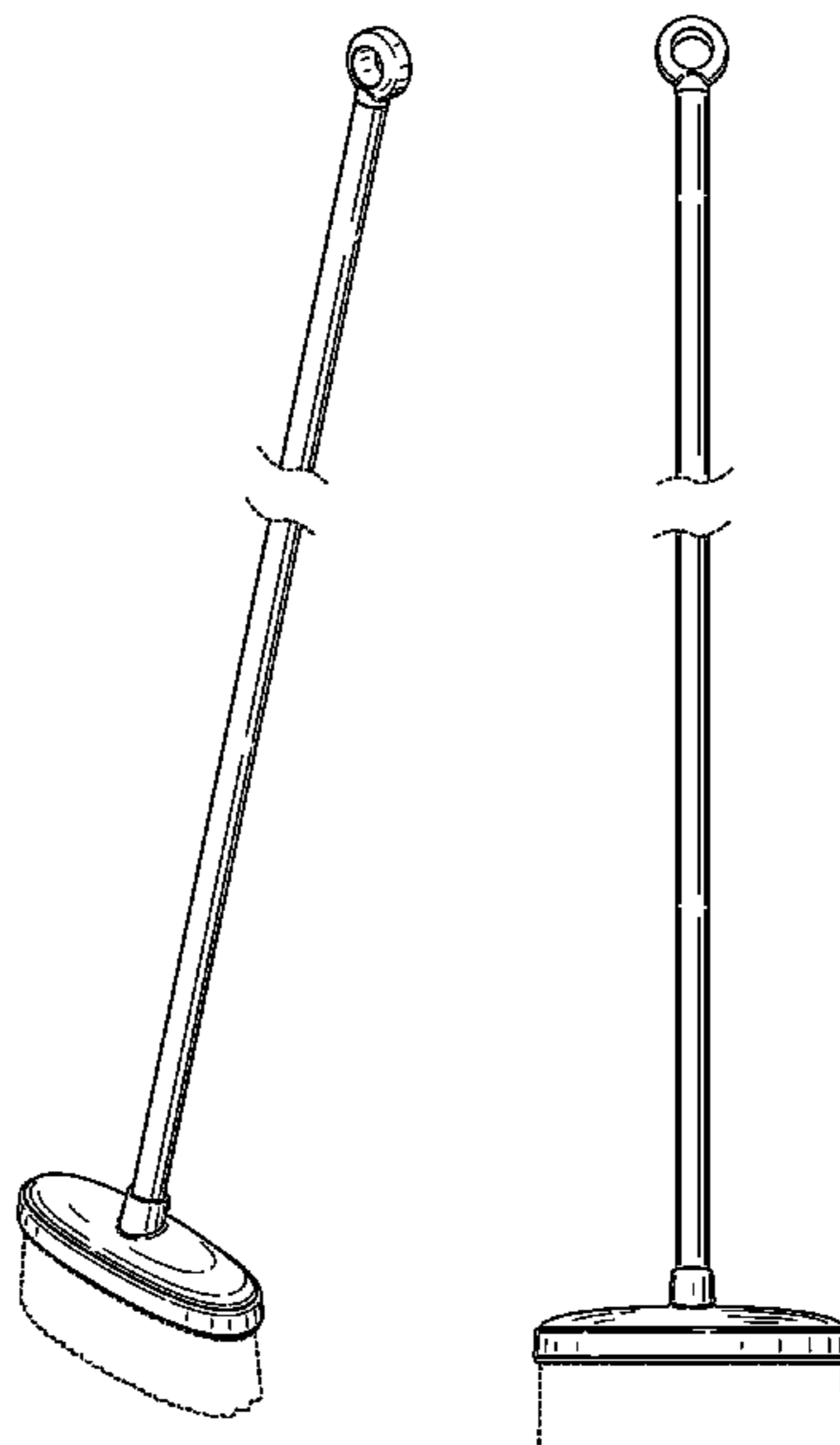
(57) **CLAIM**

We claim the ornamental design for a broom, as shown and described.

DESCRIPTION

FIG. 1 is a front perspective view of the claimed design; FIG. 2 is a front elevation view of the claimed design of FIG. 1; FIG. 3 is a rear elevation view of the claimed design of FIG. 1; FIG. 4 is a left side view of the claimed design of FIG. 1; FIG. 5 is a right side view of the claimed design of FIG. 1; FIG. 6 is a top view of the claimed design of FIG. 1; and, FIG. 7 is a bottom view of the claimed design of FIG. 1. The handle is broken away to indicate that no particular length other than what is shown is claimed.

1 Claim, 6 Drawing Sheets



(56)

References Cited

U.S. PATENT DOCUMENTS

D377,122 S * 1/1997 Lofton D4/132
D380,303 S * 7/1997 Wolfenden D4/199
D384,818 S * 10/1997 Wolfenden D4/199
D404,862 S * 1/1999 Johnson D32/50
D412,248 S * 7/1999 Berti D4/199
D415,616 S * 10/1999 Camp et al. D4/199
6,170,112 B1 * 1/2001 Mayfield et al. 15/159.1
D453,075 S * 1/2002 Liu D4/118
D482,530 S * 11/2003 Evans D4/102
D487,974 S * 4/2004 Pinochi D4/135
D496,532 S * 9/2004 Hay D4/138
D497,721 S * 11/2004 Angeletta D4/114
D572,487 S * 7/2008 Miller D4/118
D575,515 S * 8/2008 Arend D4/118

D584,022 S * 12/2008 Sampaio D32/50
D612,615 S * 3/2010 Chitayat et al. D4/129
D663,532 S * 7/2012 Pottes D4/199
D664,729 S * 7/2012 Robertson et al. D32/50
D674,197 S * 1/2013 Kassem Llano et al. D4/199
D714,006 S * 9/2014 Sanchez D32/50

FOREIGN PATENT DOCUMENTS

EM 000262274-0013 11/2004
GB 4002989 * 4/2014

OTHER PUBLICATIONS

Russian Office Action and English Translation for Russian Application No. 2012504457, dated Aug. 5, 2013, 6 pages.

* cited by examiner

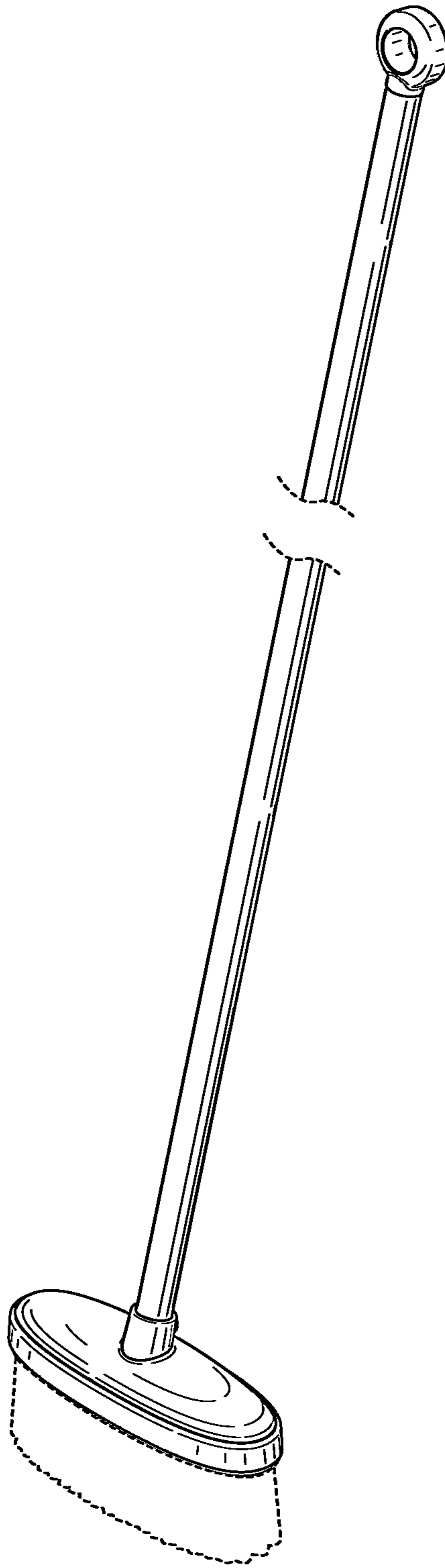


FIG. 1

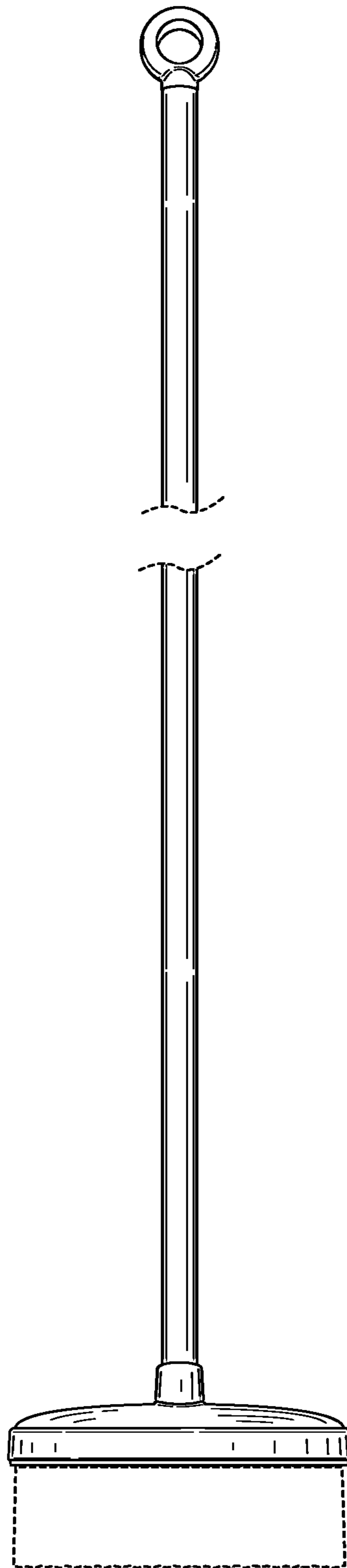


FIG. 2

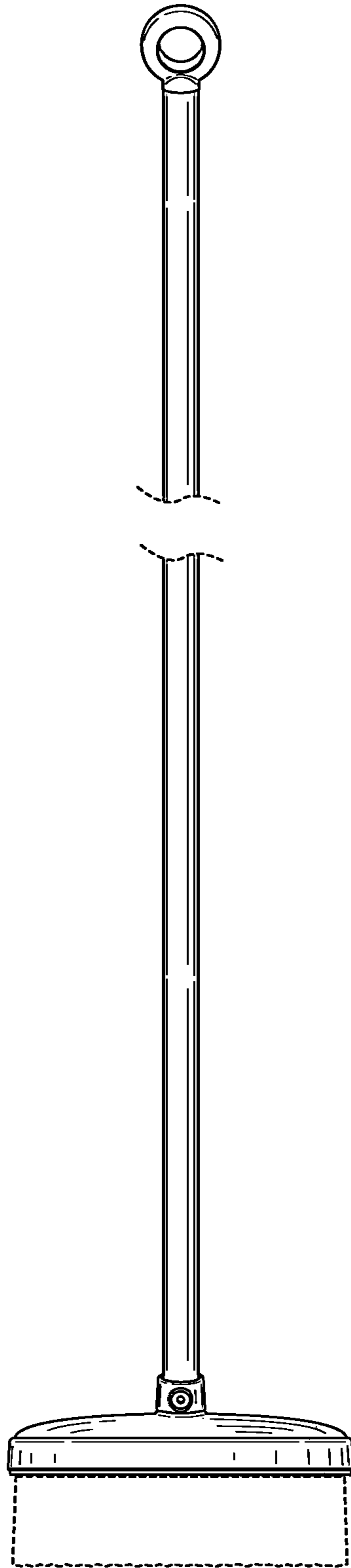


FIG. 3

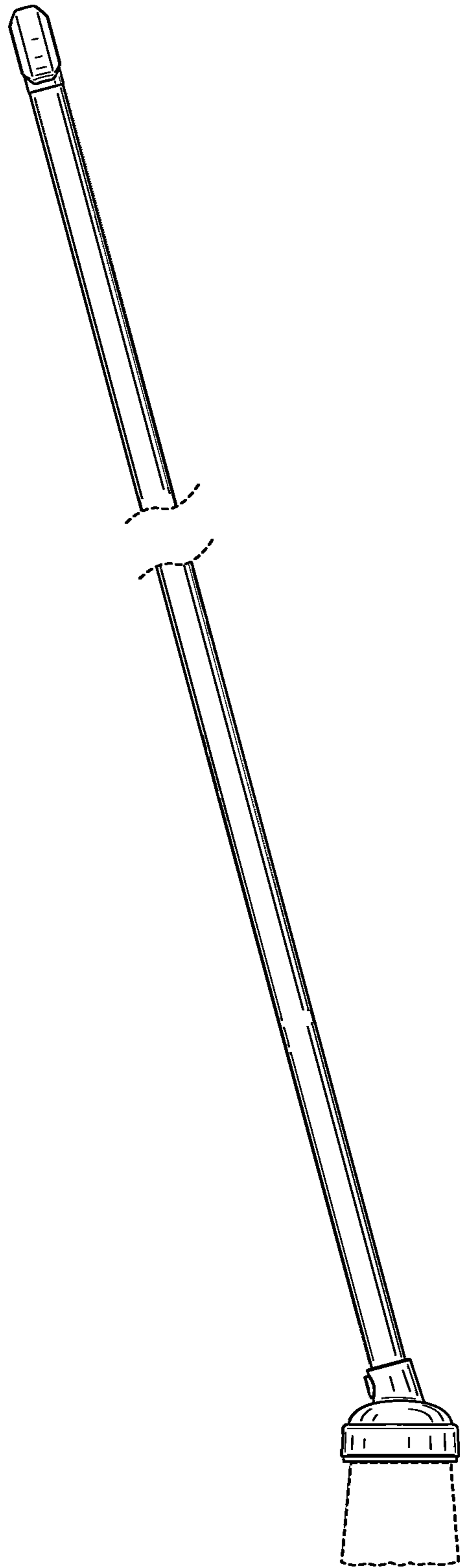


FIG. 4

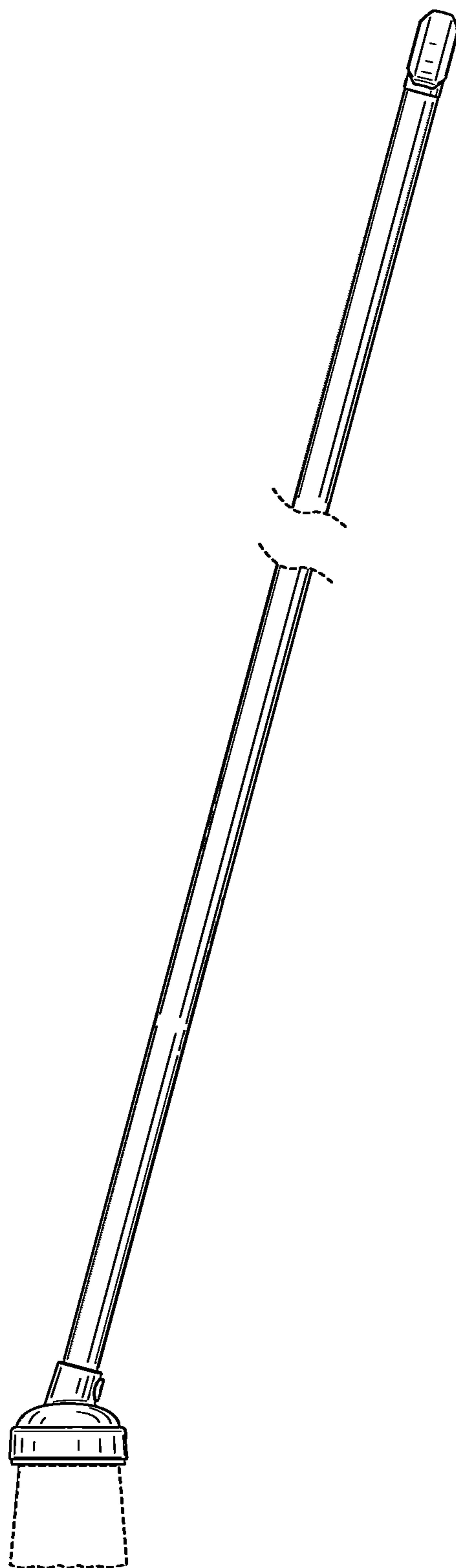


FIG. 5

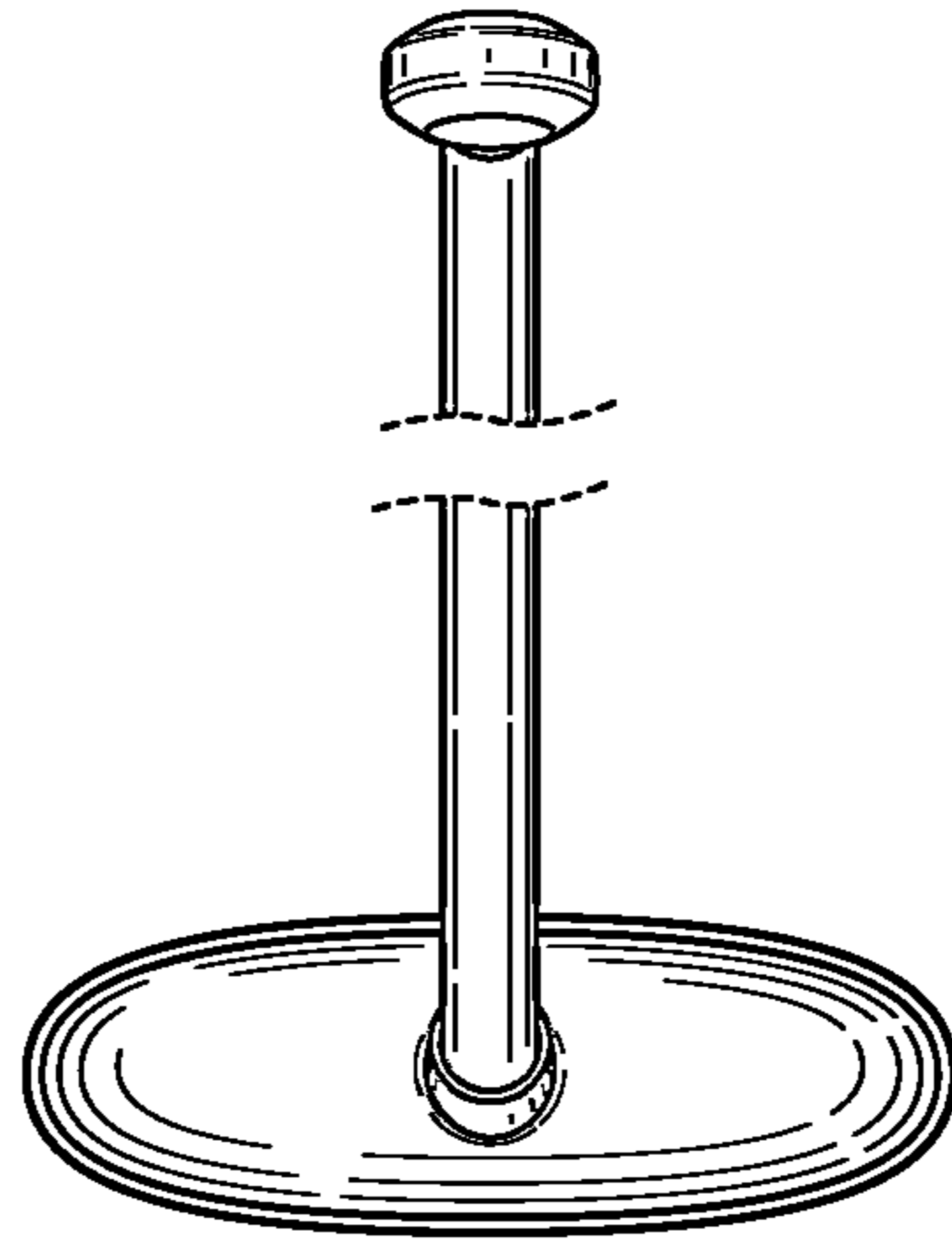


FIG. 6

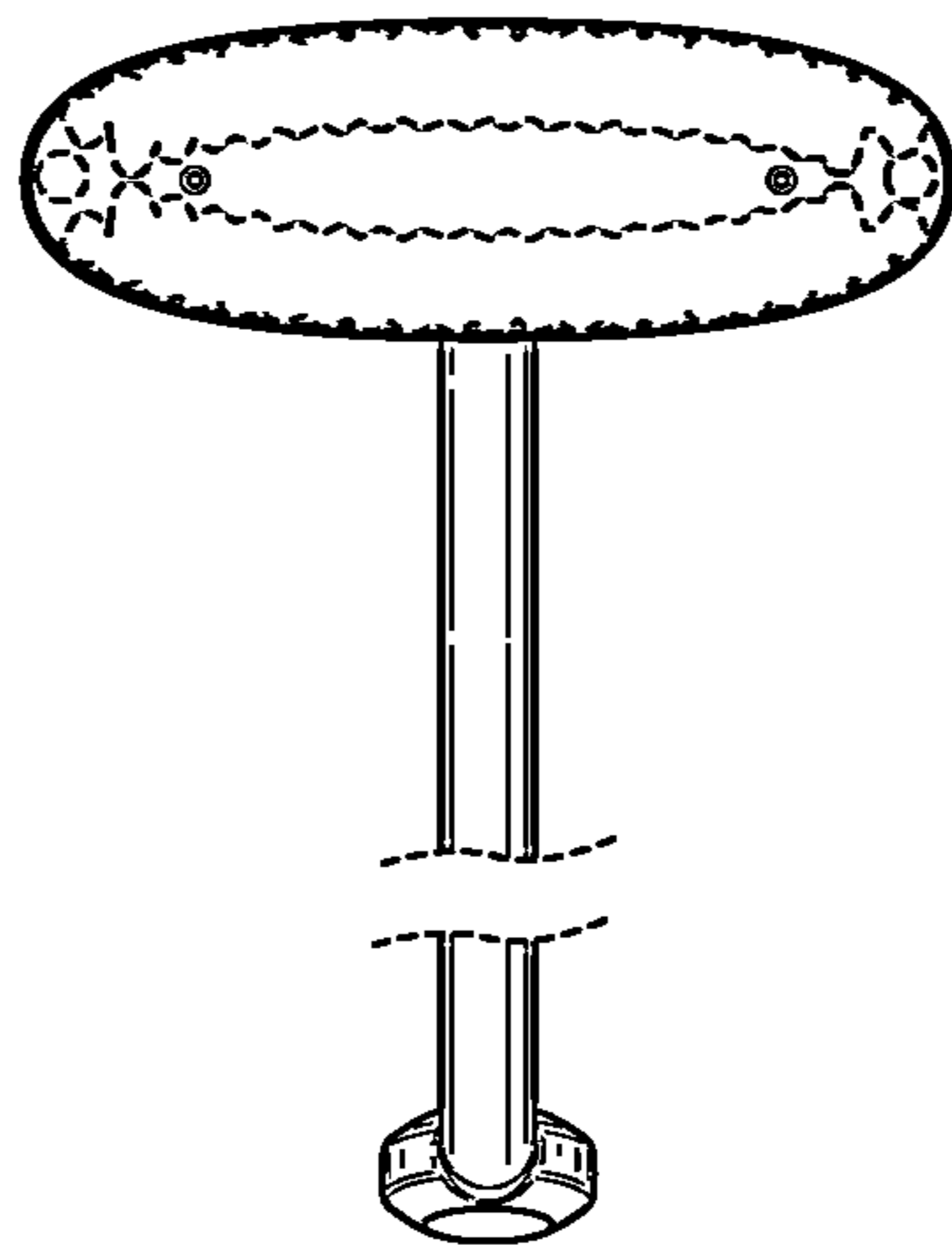


FIG. 7