



US00D728867S

(12) **United States Design Patent**  
**Ruetenik**

(10) **Patent No.:** **US D728,867 S**

(45) **Date of Patent:** **\*\* \*May 5, 2015**

(54) **EQUINE BOOT SOLE PLATE**  
(71) Applicant: **Monty L. Ruetenik**, Clear Lake Shores,  
TX (US)  
(72) Inventor: **Monty L. Ruetenik**, Clear Lake Shores,  
TX (US)

D603,108	S	*	10/2009	Lander	.....	D30/149
D616,614	S	*	5/2010	Ruetenik	.....	D30/147
D629,166	S	*	12/2010	Lander	.....	D30/149
D629,573	S	*	12/2010	Lander	.....	D30/146
2005/0000699	A1	*	1/2005	Rafeld	.....	168/12
2007/0125555	A1	*	6/2007	Puhl	.....	168/28
2009/0032270	A1	*	2/2009	Ruetenik	.....	168/28
2011/0067366	A1	*	3/2011	Ruetenik	.....	54/82
2012/0279184	A1	*	11/2012	Ruetenik	.....	54/82
2014/0007548	A1	*	1/2014	Revheim et al.	.....	54/82
2014/0033661	A1	*	2/2014	Ruetenik	.....	54/82

(\* ) Notice: This patent is subject to a terminal disclaimer.

(\*\*) Term: **14 Years**

\* cited by examiner

(21) Appl. No.: **29/454,564**

*Primary Examiner* — Eric Goodman

*Assistant Examiner* — Jennifer Watkins

(22) Filed: **May 10, 2013**

(74) *Attorney, Agent, or Firm* — Douglas Baldwin

(51) **LOC (10) Cl.** ..... **30-01**

(52) **U.S. Cl.**  
USPC ..... **D30/147**

(57) **CLAIM**

The ornamental design for an equine boot sole plate, as shown and described.

(58) **Field of Classification Search**  
CPC ..... A01K 3/007; A01K 13/006; A01L 7/02;  
A01L 5/00; A01L 15/00; A01L 7/00; A01L  
3/00; A61D 9/00; A43B 7/142; A43B 7/144;  
A43B 7/141  
USPC ..... D30/146–150; 119/814, 850; 54/82;  
168/1–3, 11–18, 22, 26, 27  
See application file for complete search history.

**DESCRIPTION**

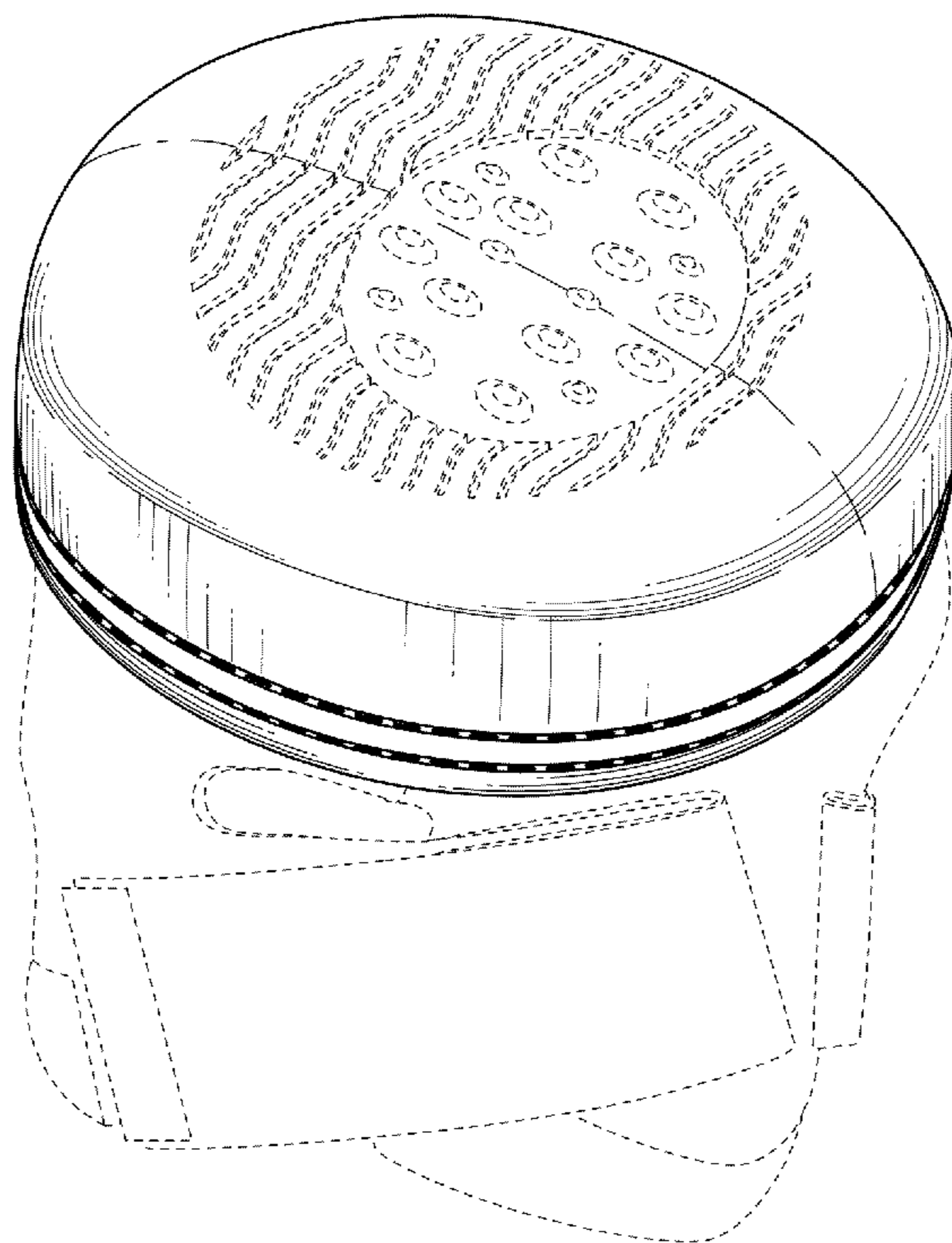
FIG. 1 is bottom perspective view of an equine boot sole plate showing my new design;  
FIG. 2 is a left side view thereof;  
FIG. 3 is a right side view thereof;  
FIG. 4 is a front view thereof; and,  
FIG. 5 is a rear view thereof.  
The broken lines illustrate portions of an equine boot which form no part of the claimed design.

(56) **References Cited**

U.S. PATENT DOCUMENTS

D565,256	S	*	3/2008	Ruetenik	.....	D30/147
D580,111	S	*	11/2008	Lander	.....	D30/146

**1 Claim, 3 Drawing Sheets**



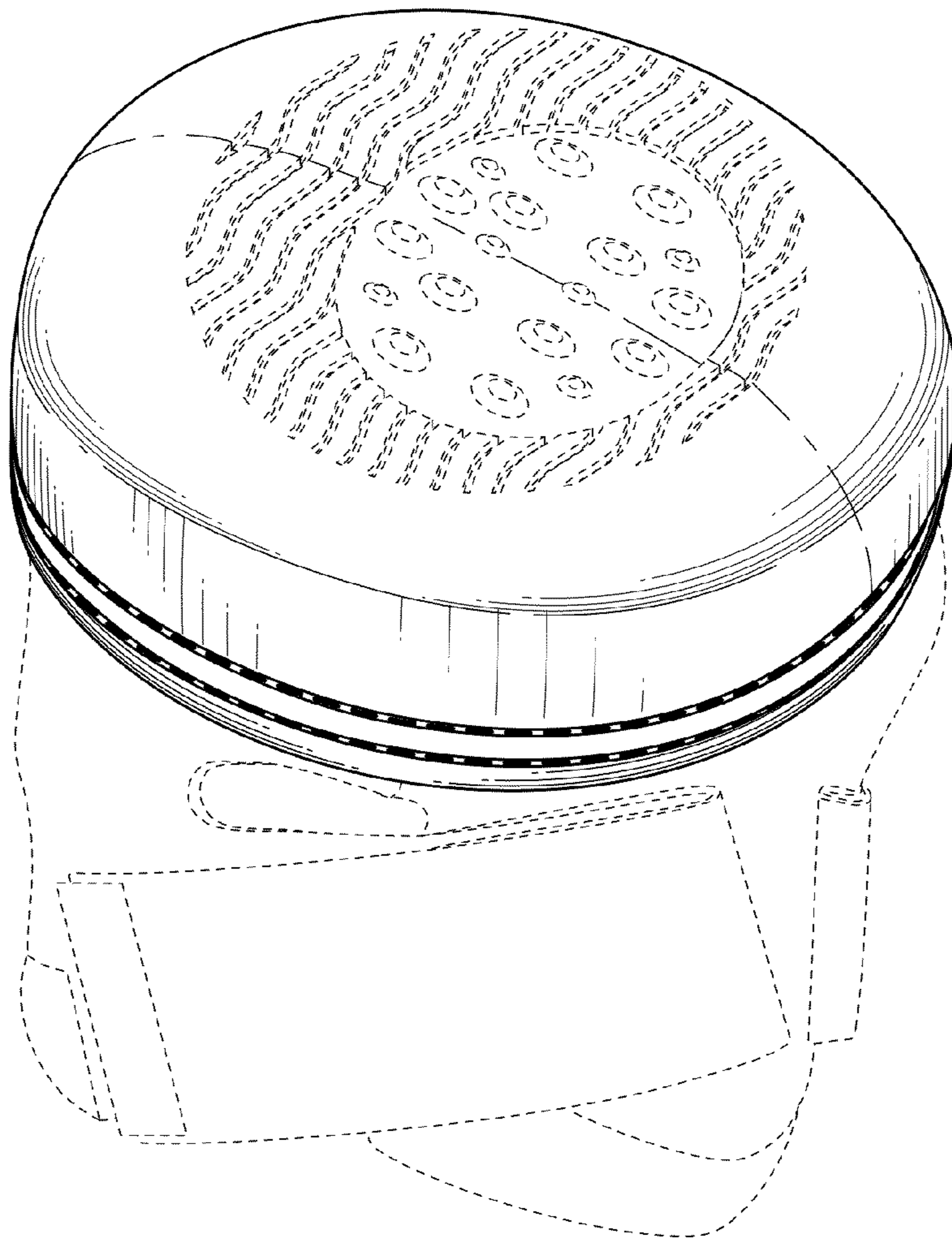


FIG. 1

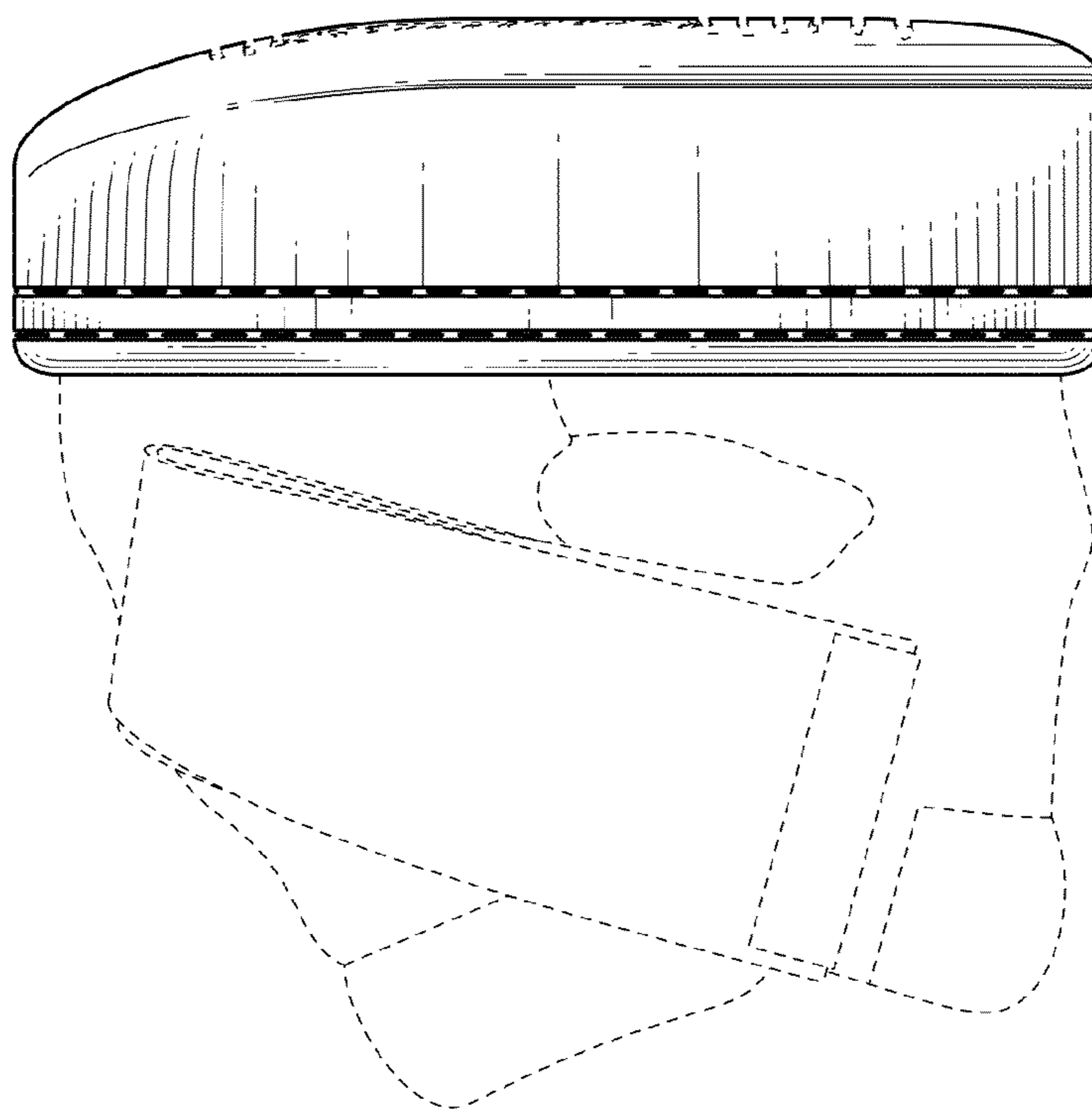


FIG. 2

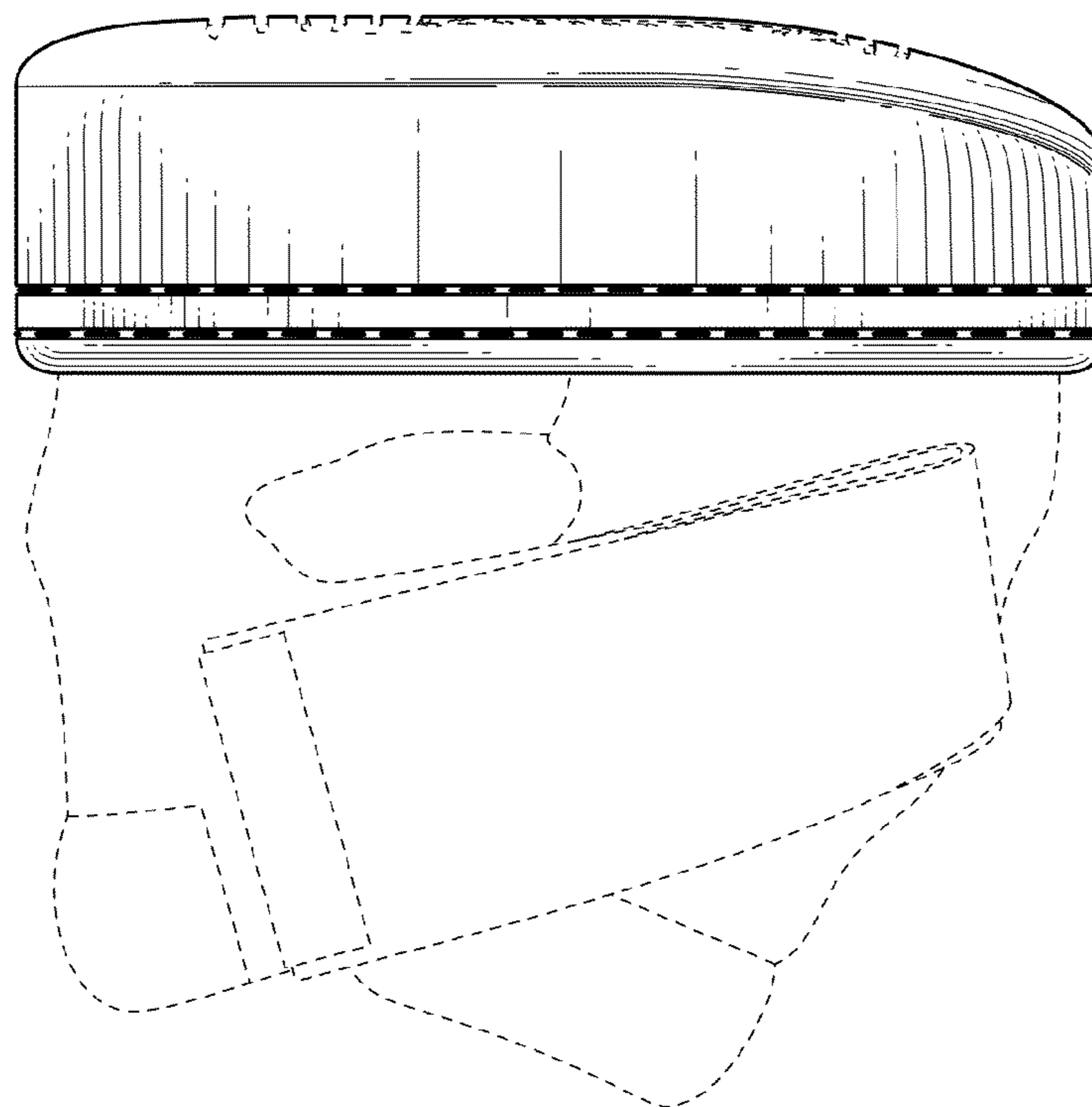


FIG. 3

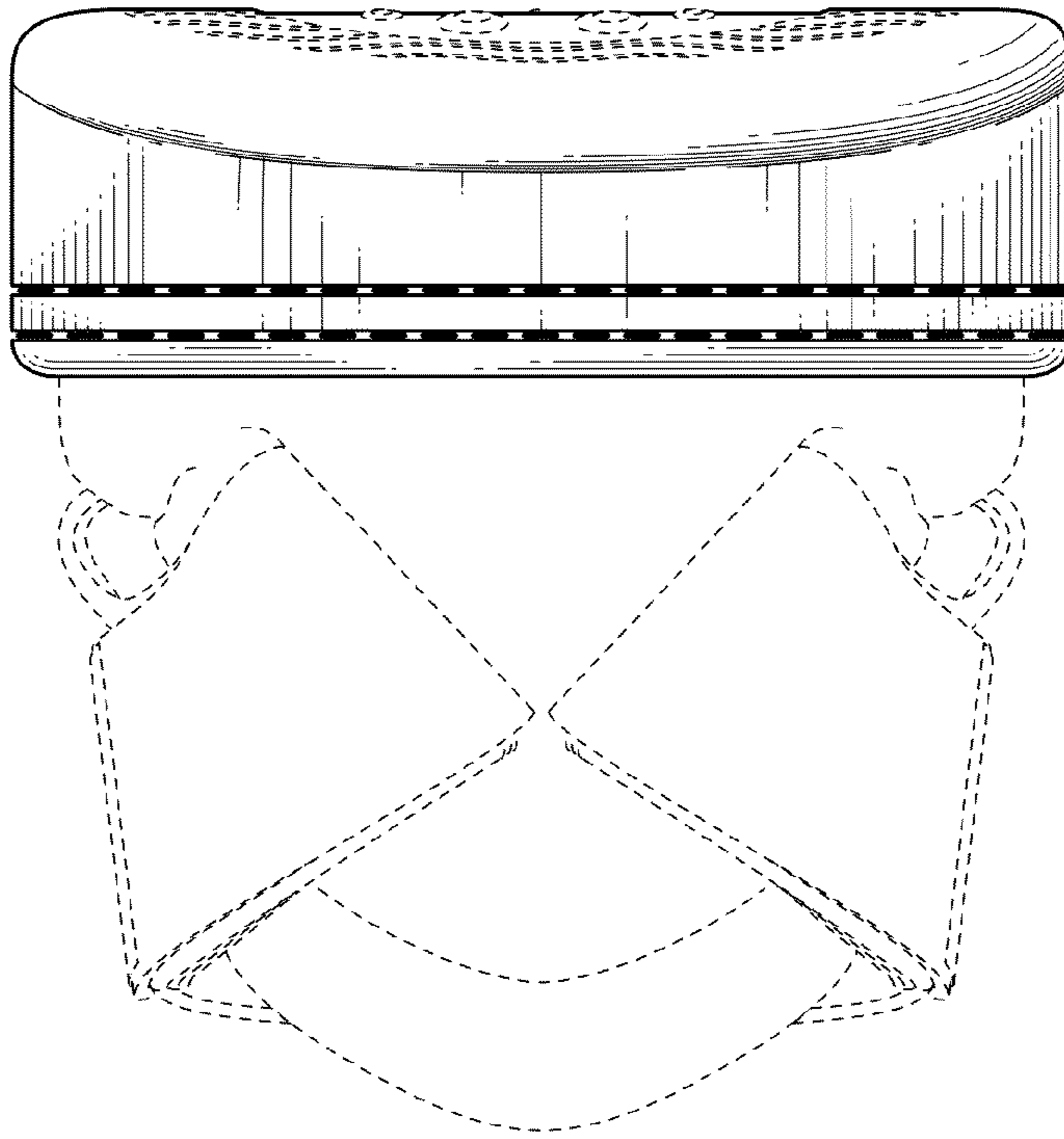


FIG. 4

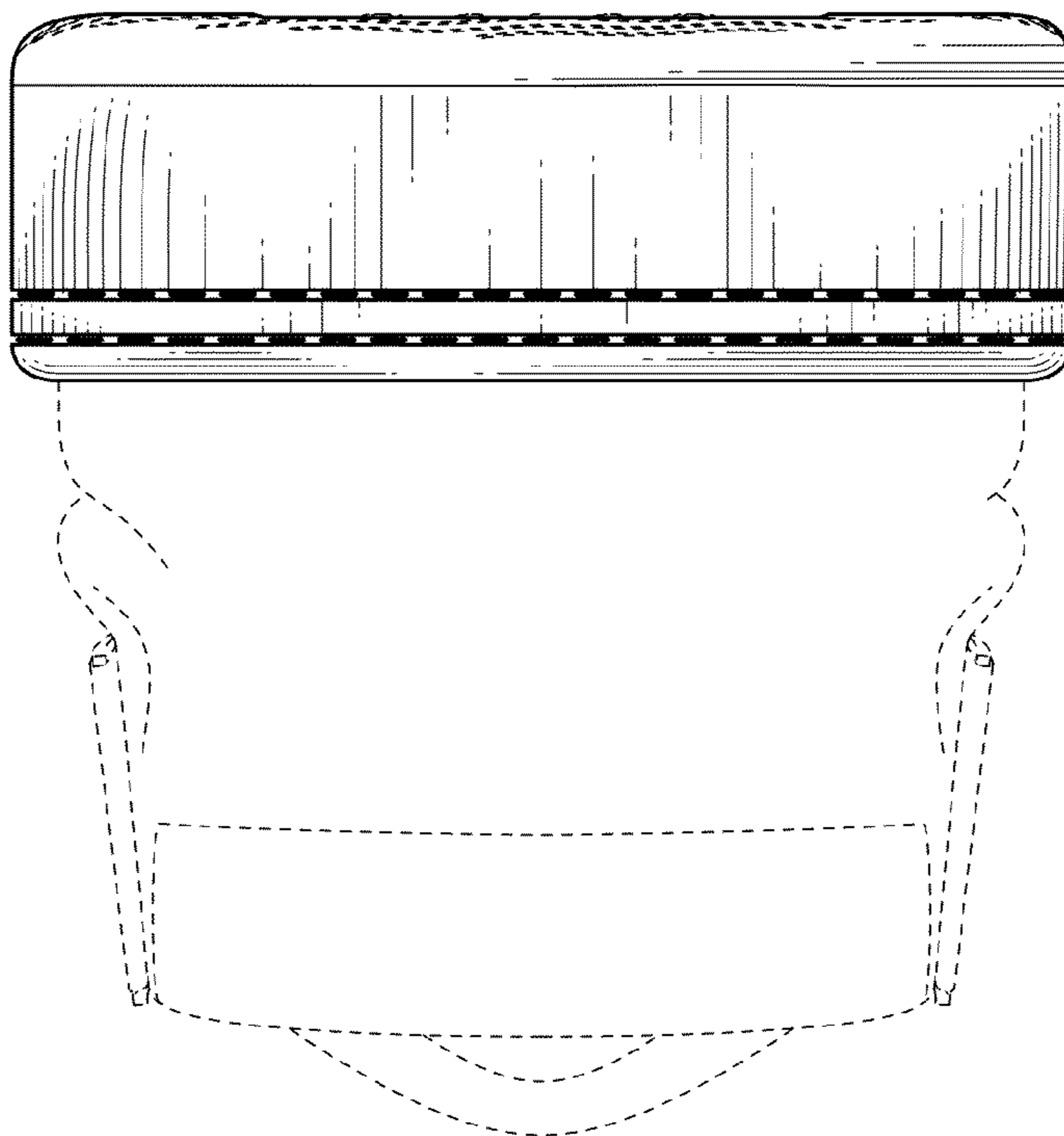


FIG. 5