

US00D728866S

(12) **United States Design Patent**  
**Boehler**

(10) **Patent No.:** **US D728,866 S**  
(45) **Date of Patent:** **\*\* May 5, 2015**

(54) **PET COAT WITH A POCKET**

(71) Applicant: **Christopher J. Boehler**, Aviston, IL  
(US)

(72) Inventor: **Christopher J. Boehler**, Aviston, IL  
(US)

(\*\*) Term: **14 Years**

(21) Appl. No.: **29/444,629**

(22) Filed: **Feb. 1, 2013**

(51) **LOC (10) Cl.** ..... **30-01**

(52) **U.S. Cl.**  
USPC ..... **D30/144; D30/145**

(58) **Field of Classification Search**

CPC ... A01K 13/00; A01K 13/006; A01K 13/008;  
A01K 27/00; A01K 27/002; A01K 27/008  
USPC ..... D30/144, 145, 199; 119/792, 850;  
54/79.1, 79.2, 79.3, 79.4  
See application file for complete search history.

(56) **References Cited**

**U.S. PATENT DOCUMENTS**

484,996	A *	10/1892	Chamberlain	.....	54/79.1
2,831,306	A *	4/1958	Brenton	.....	54/79.2
D313,291	S *	12/1990	Shanley	.....	D30/145
6,089,194	A *	7/2000	LaBelle	.....	119/850
6,138,611	A	10/2000	Thielemann		
6,443,101	B1 *	9/2002	Fazio	.....	119/792
6,477,988	B2	11/2002	Burnett		
D479,896	S *	9/2003	Wilson	.....	D30/145
6,662,754	B1	12/2003	Wilson		
D486,275	S *	2/2004	Grubb	.....	D30/145
6,694,925	B2 *	2/2004	Critzer	.....	119/850
RE39,564	E	4/2007	Brezinski		
7,793,619	B2	9/2010	Kajanoff		
D631,209	S *	1/2011	Gazaway	.....	D30/145

7,918,192	B1	4/2011	Digh et al.		
2005/0284416	A1 *	12/2005	Smit et al.	.....	119/850
2006/0090711	A1 *	5/2006	Richards	.....	119/850
2006/0169221	A1	8/2006	Teague		
2007/0204808	A1 *	9/2007	Harada	.....	119/850
2008/0067163	A1 *	3/2008	Axinte et al.	.....	219/211
2008/0077214	A1	3/2008	Stalick		
2008/0121192	A1 *	5/2008	Moy	.....	119/850
2010/0050958	A1	3/2010	Jackson et al.		

**OTHER PUBLICATIONS**

Dog Cooling Vests. <http://www.helpingudders.com/cat-Cooling+Vests-41.aspx>. Accessed Sep. 24, 2012.  
RPCM® Cool Vest for Dogs/Equine. [http://www.glaciertek.com/\(S\(2duylf45rzl1cg2ddnxm1t45\)\)/RPCM\\_Cooling\\_Vest/Dogs\\_Equine.aspx?AspxAutoDetectCookieSupport=1](http://www.glaciertek.com/(S(2duylf45rzl1cg2ddnxm1t45))/RPCM_Cooling_Vest/Dogs_Equine.aspx?AspxAutoDetectCookieSupport=1). Accessed Sep. 24, 2012.

\* cited by examiner

*Primary Examiner* — Martie K Holtje

(74) *Attorney, Agent, or Firm* — Robert C. Montgomery; Montgomery Patent & Design LP

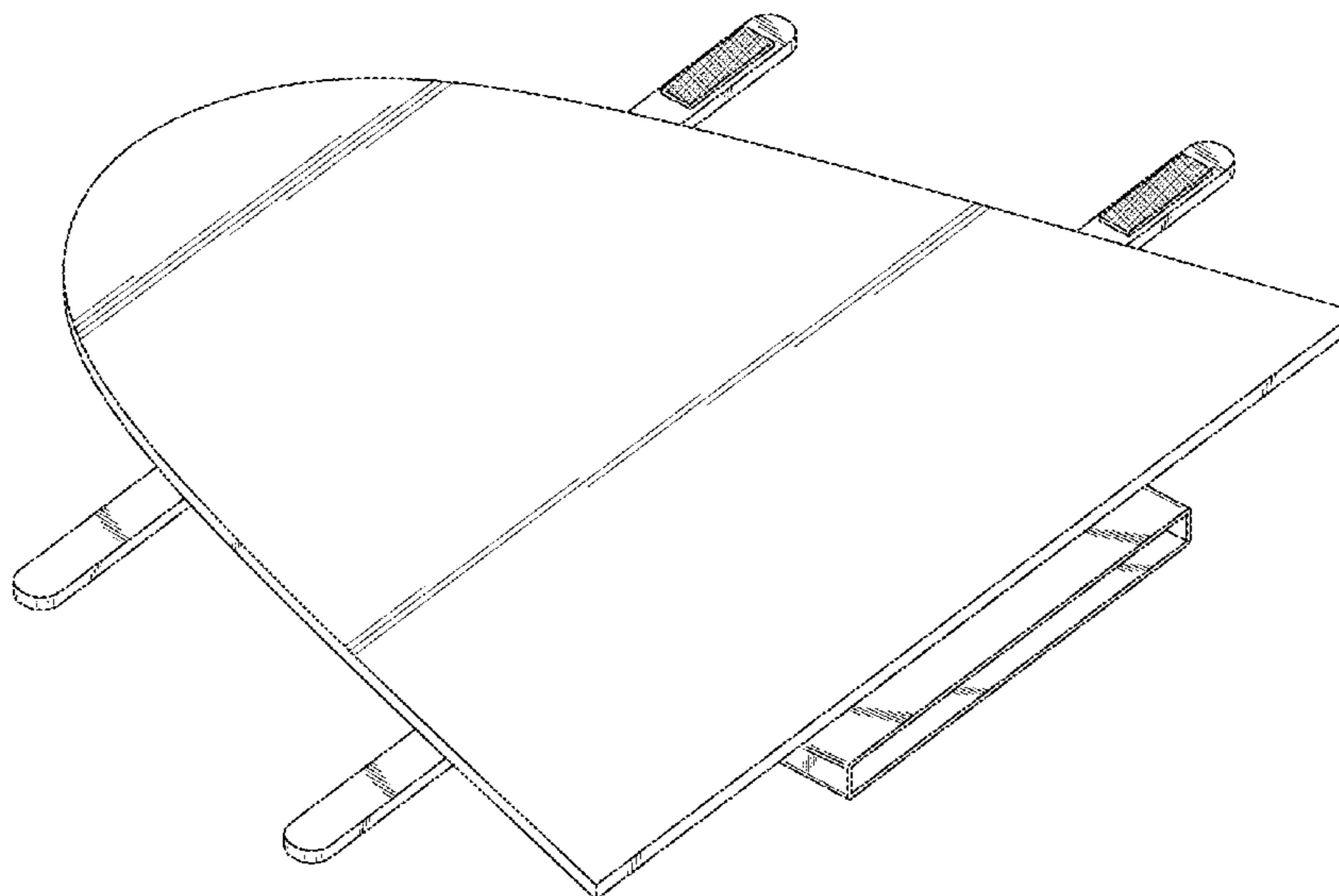
(57) **CLAIM**

The ornamental design for a pet coat with a pocket, as shown and described.

**DESCRIPTION**

FIG. 1 is an isometric view of a pet coat with a pocket showing my new design;  
FIG. 2 is a front view thereof;  
FIG. 3 is a rear view thereof;  
FIG. 4 is a left side view thereof;  
FIG. 5 is a right side view thereof;  
FIG. 6 is a top view thereof; and,  
FIG. 7 is a bottom view thereof.

**1 Claim, 5 Drawing Sheets**



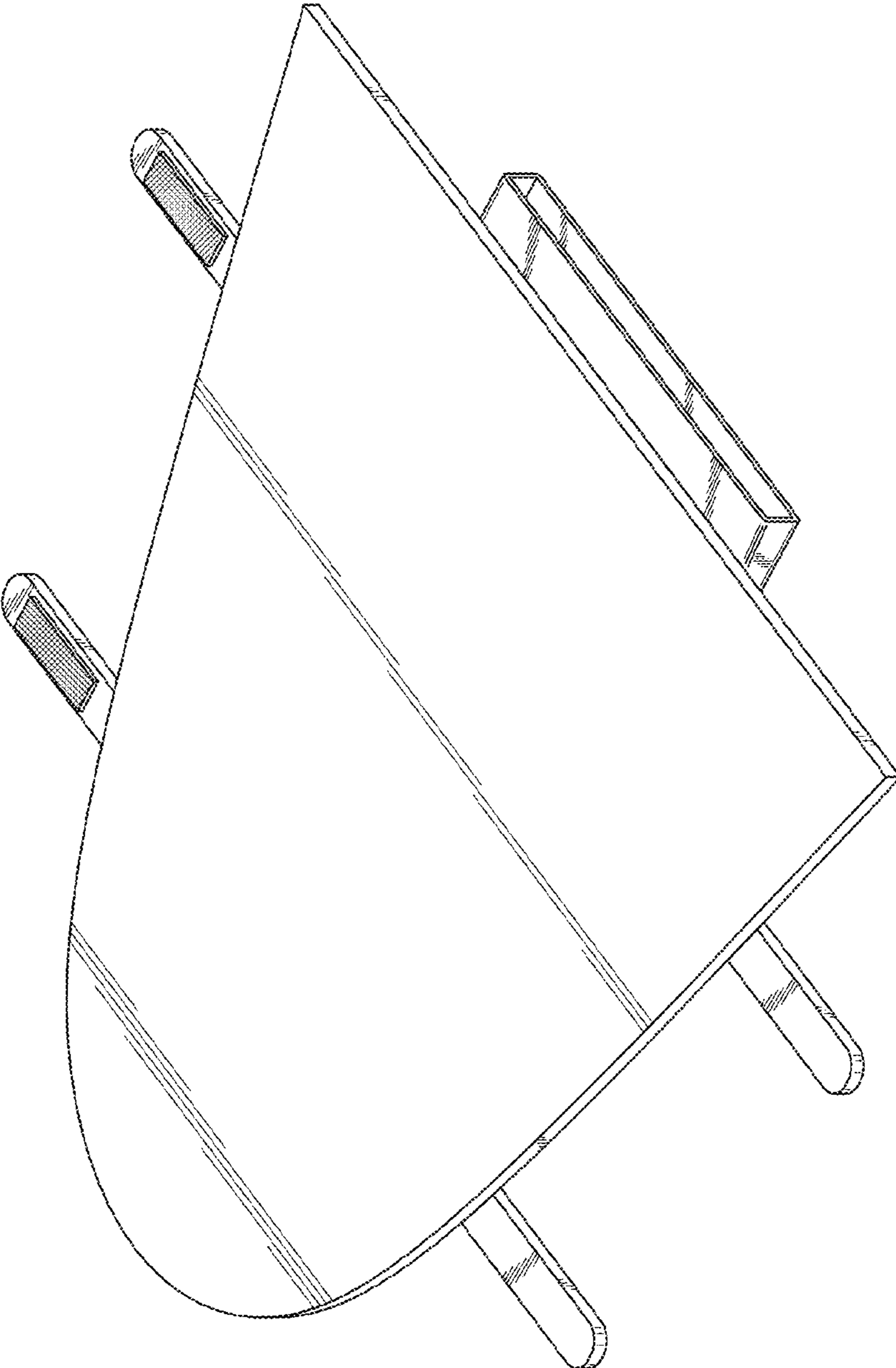


Fig. 1



Fig. 2

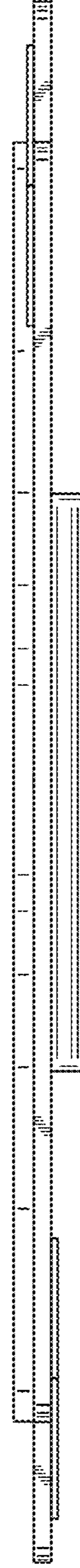


Fig. 3

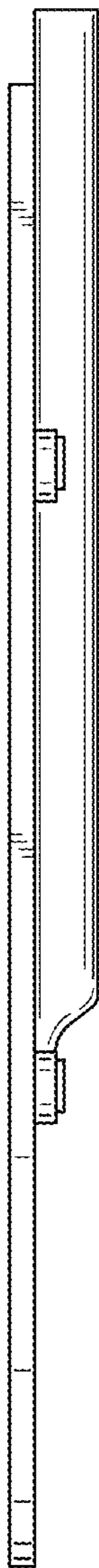


Fig. 4

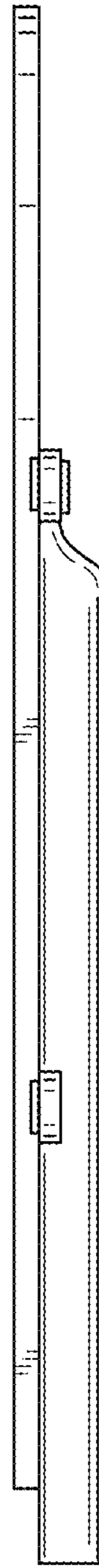


Fig. 5

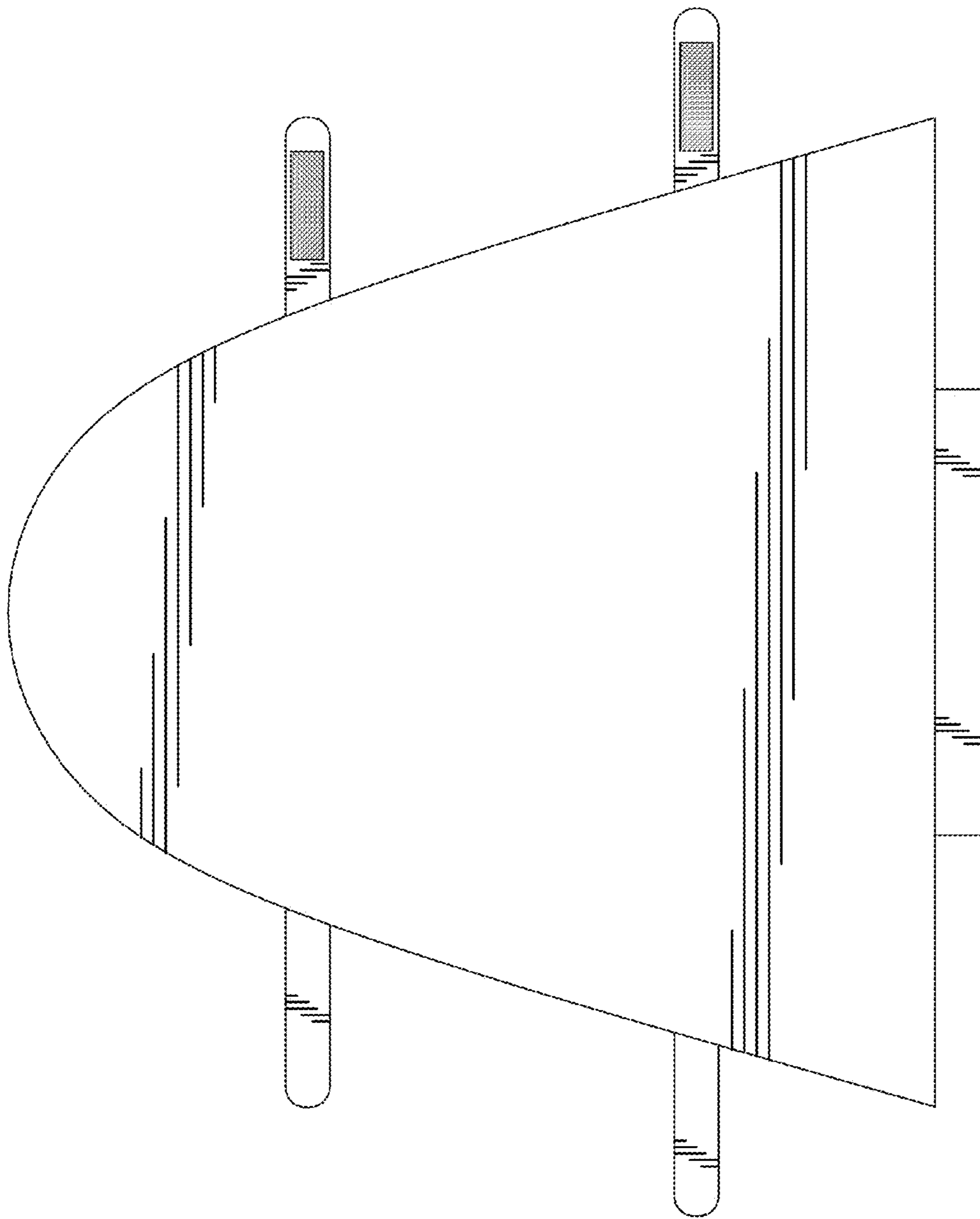


Fig. 6

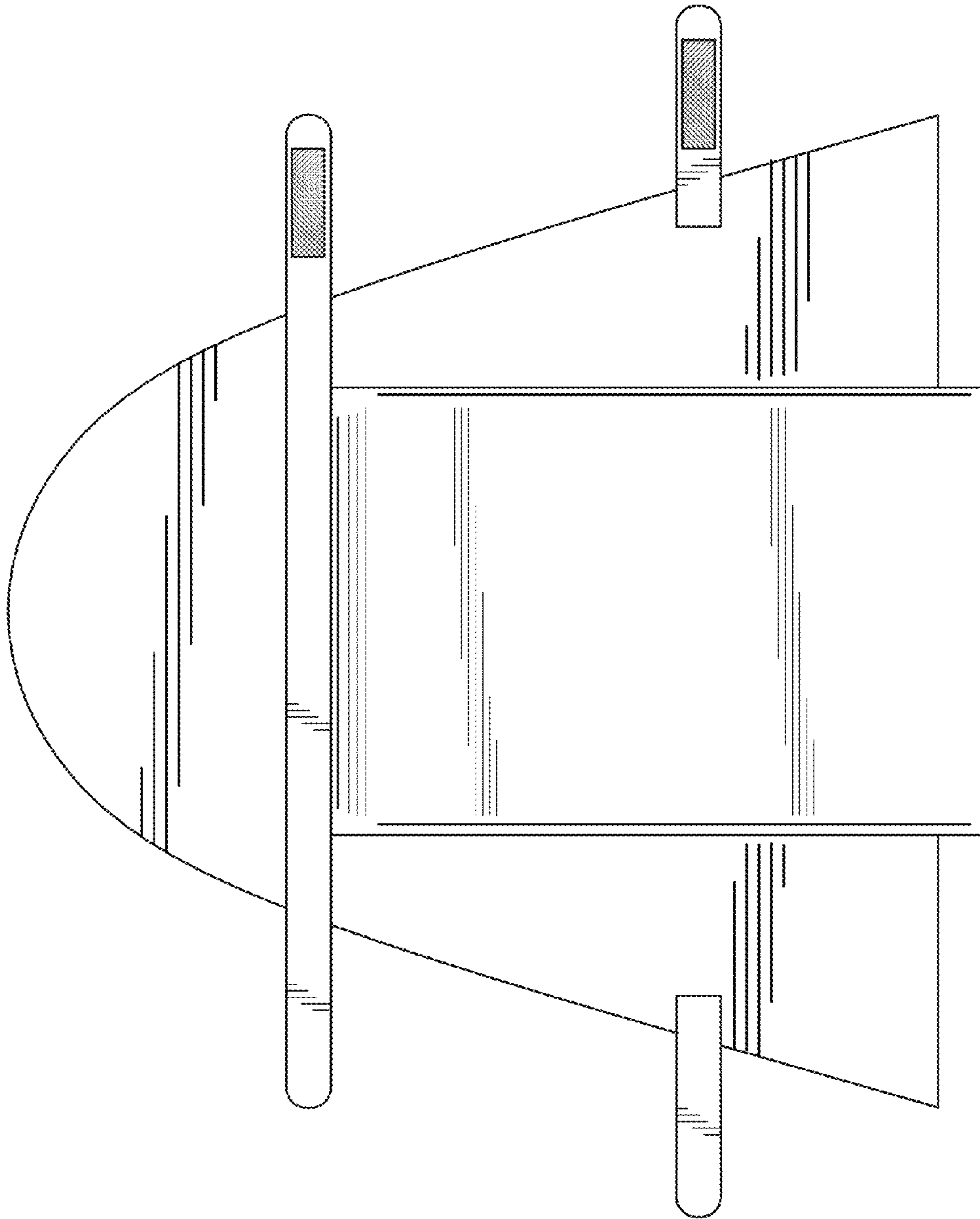


Fig. 7