



US00D728863S

(12) **United States Design Patent**  
**Fajen et al.**

(10) **Patent No.:** **US D728,863 S**  
(45) **Date of Patent:** **\*\* May 5, 2015**

- (54) **WIND AND NOISE BLOCKER**
- (71) Applicant: **E&M Enterprises, LLC**, Happy Valley, OR (US)
- (72) Inventors: **Fredric Michael Fajen**, Happy Valley, OR (US); **Elise Adrienne Fajen**, Happy Valley, OR (US); **Adrienne Michelle Fajen**, Happy Valley, OR (US)
- (73) Assignee: **E&M Enterprises, LLC**, Happy Valley, OR (US)
- (\*\*) Term: **14 Years**
- (21) Appl. No.: **29/465,865**
- (22) Filed: **Sep. 2, 2013**
- (51) **LOC (10) Cl.** ..... **09-03**
- (52) **U.S. Cl.**  
USPC ..... **D29/122**
- (58) **Field of Classification Search**  
CPC ..... A42B 3/00; A42B 3/163; A42B 3/166; A42B 3/16; A42B 3/18; A42B 3/20; A42B 3/22; A42B 3/221; A42B 3/228; A42B 3/066; A42B 3/06; A63B 71/10; A61F 11/008  
USPC ..... D29/102-107, 122, 112; 2/6.1-6.3, 6.5, 2/6.7, 422-425, 410, 205, 175.1, 175.6, 2/175.7, 195.1, 209, 909, 918, 920, 172, 2/455; D24/190-191; 128/864, 866, 867; D2/891; D5/63  
See application file for complete search history.

5,691,514	A	11/1997	Landis	
5,691,515	A	11/1997	Landis	
D399,606	S *	10/1998	Folise	D29/112
D399,607	S *	10/1998	Davis	D29/112
D401,393	S *	11/1998	Johanson et al.	D2/891
5,943,703	A *	8/1999	Avila, Jr.	2/209
D414,872	S *	10/1999	Doyle	D24/191
6,029,282	A *	2/2000	Buschman	2/422
6,029,769	A	2/2000	Tichy	
6,220,386	B1	4/2001	Tichy	
6,237,714	B1 *	5/2001	Lee	181/136
6,286,149	B1 *	9/2001	Whitaker	2/209
6,325,173	B1 *	12/2001	Miller	181/136
6,347,412	B1 *	2/2002	Dorman	2/423
6,860,598	B1 *	3/2005	Bigda	351/123
D594,186	S *	6/2009	Petty	D2/891
D594,601	S *	6/2009	Briggs	D29/112
2004/0040072	A1 *	3/2004	Mizuno	2/423
2007/0136921	A1 *	6/2007	Tiegs	2/10
2009/0300827	A1 *	12/2009	Mizuno	2/423
2011/0055997	A1 *	3/2011	Tyler	2/172

\* cited by examiner

*Primary Examiner* — Ruth McInroy  
(74) *Attorney, Agent, or Firm* — David A. Crowther

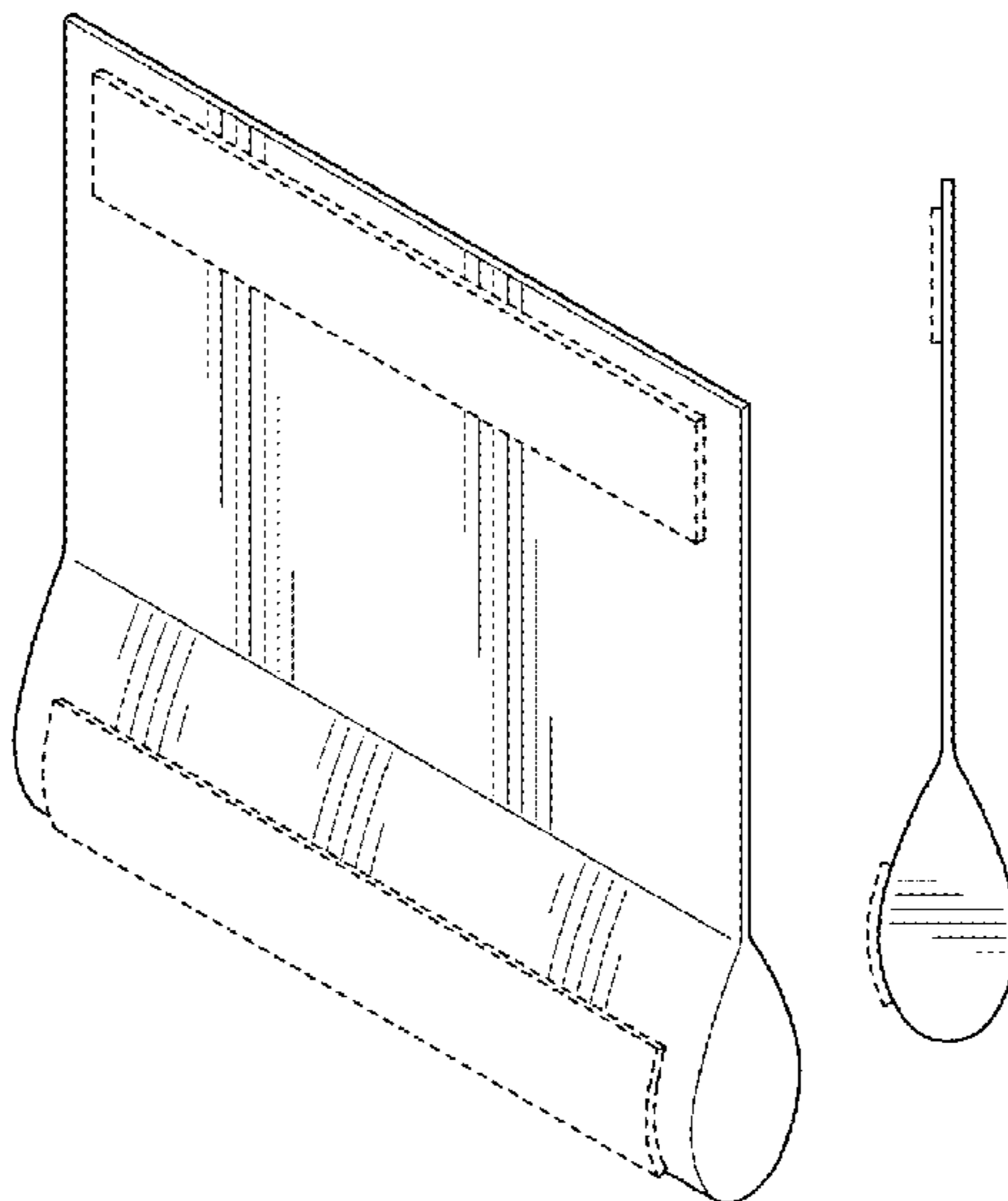
(57) **CLAIM**  
The ornamental design for a wind and noise blocker, as shown and described.

**DESCRIPTION**

FIG. 1 is a front perspective view of a wind and noise blocker showing my new design;  
FIG. 2 is a left side elevation view thereof, the right side being a mirror image;  
FIG. 3 is a bottom view thereof;  
FIG. 4 is a front view thereof;  
FIG. 5 is a top view thereof; and,  
FIG. 6 is a rear view thereof.  
The broken lines in the drawings show unclaimed subject matter only and form no part of the claimed design.

**1 Claim, 1 Drawing Sheet**

- (56) **References Cited**  
U.S. PATENT DOCUMENTS  
4,574,912 A \* 3/1986 Fuss et al. .... 181/129  
4,751,746 A \* 6/1988 Rustin ..... 2/13  
5,323,493 A \* 6/1994 Ogiba ..... 2/422  
5,477,564 A \* 12/1995 Tichy ..... 2/423



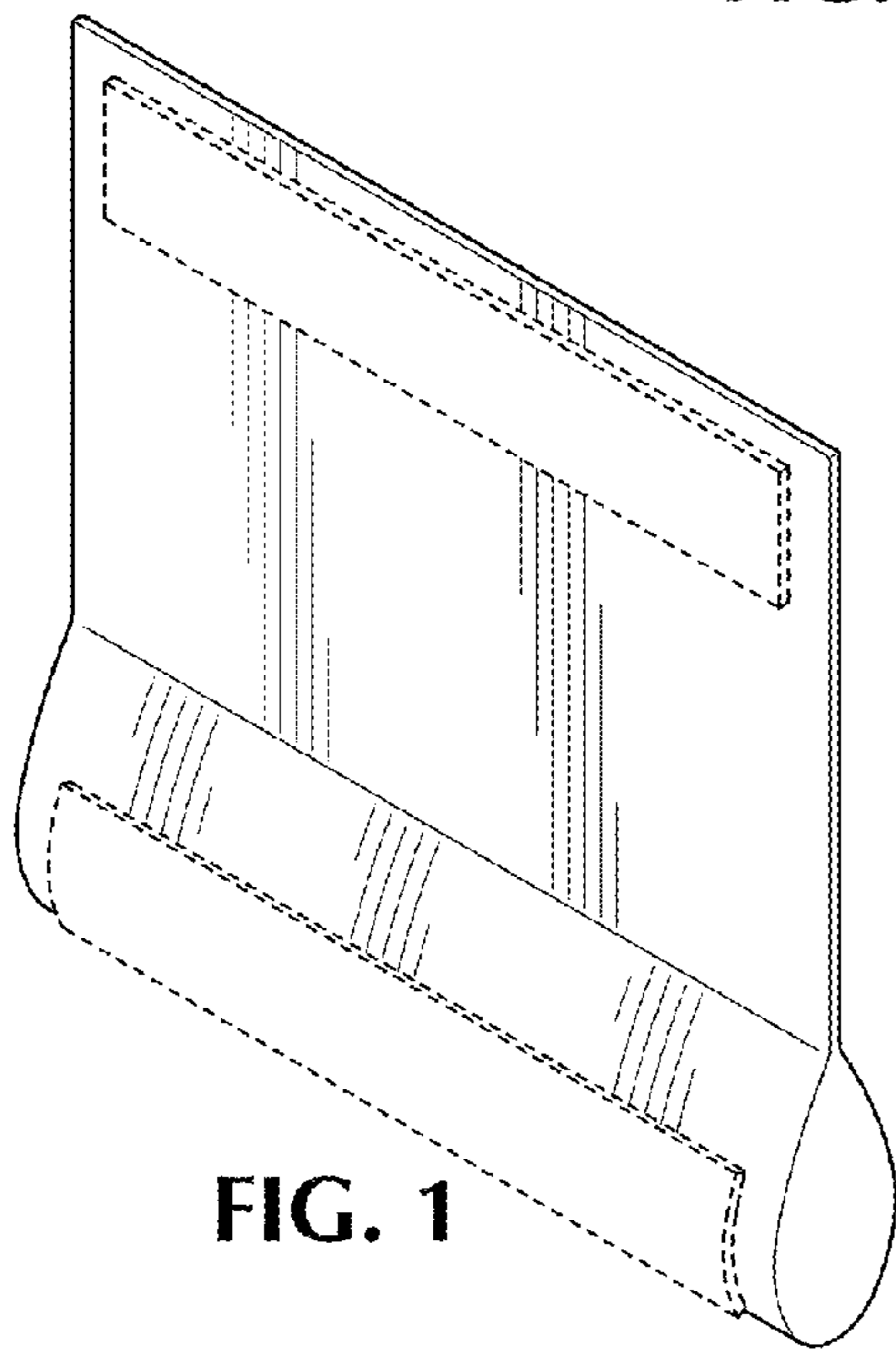


FIG. 1

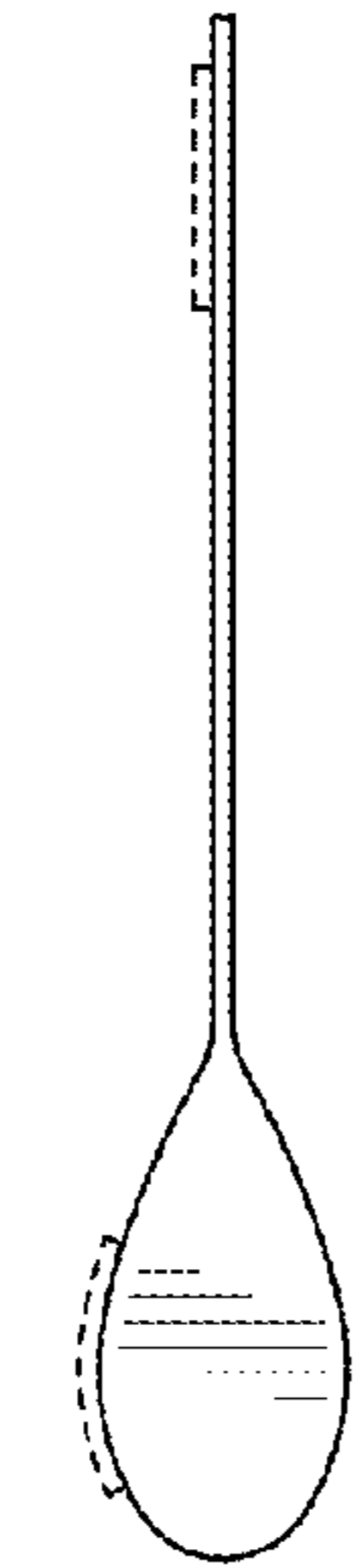


FIG. 2

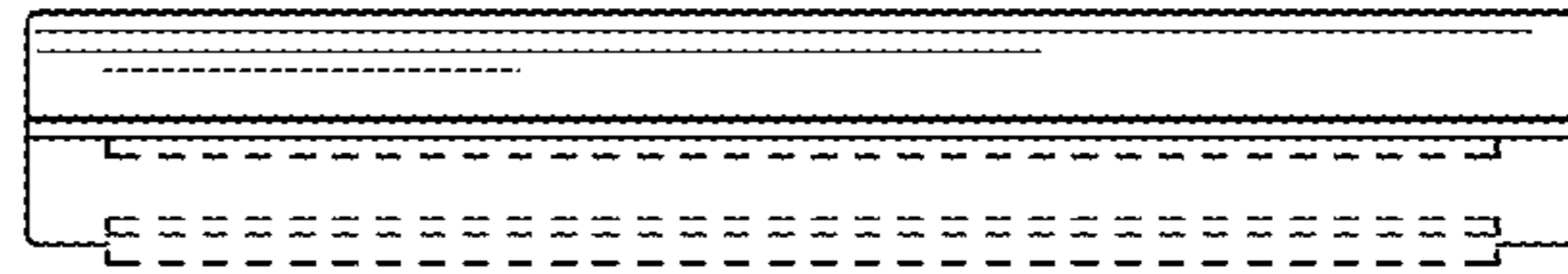


FIG. 3

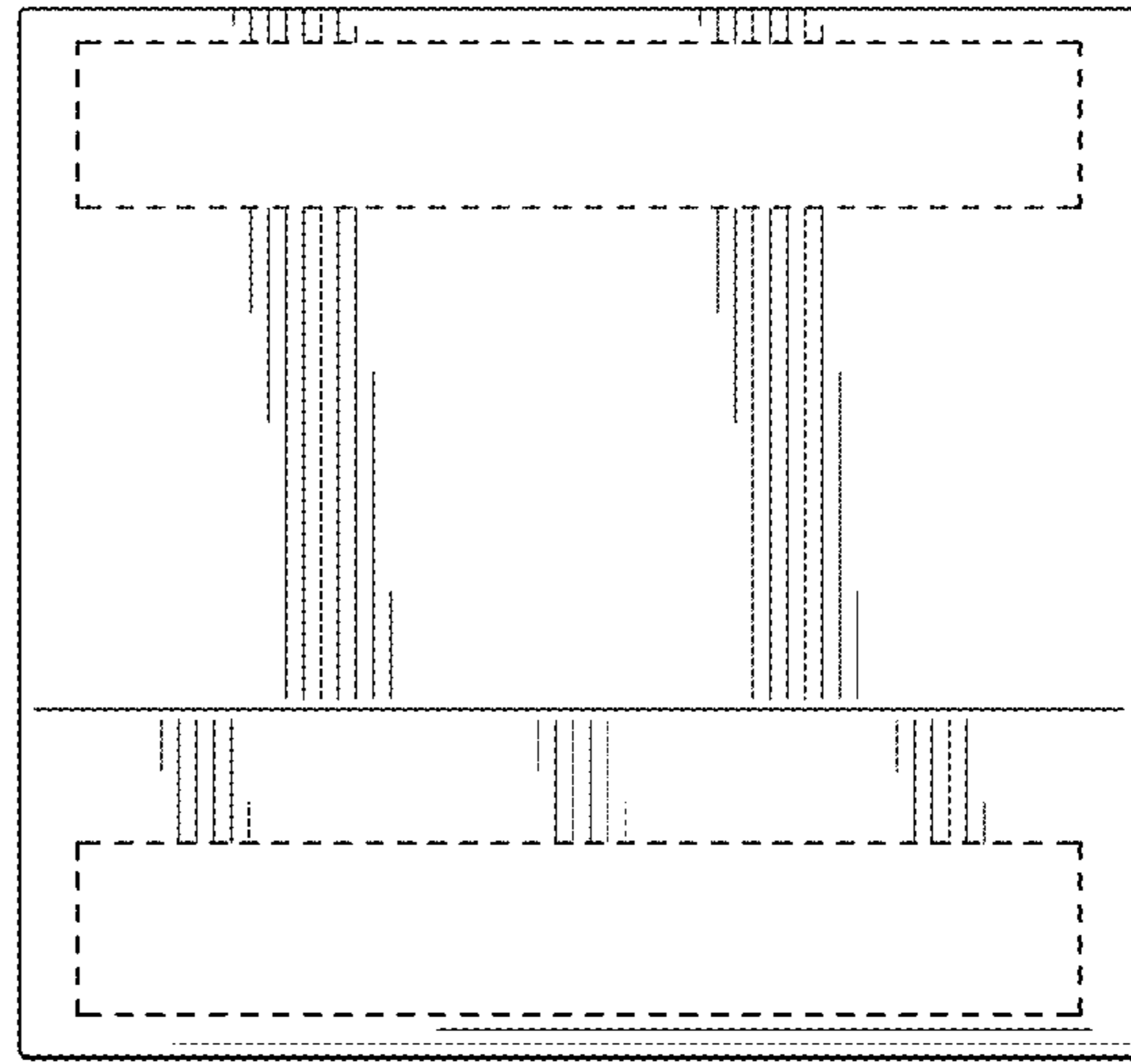


FIG. 4

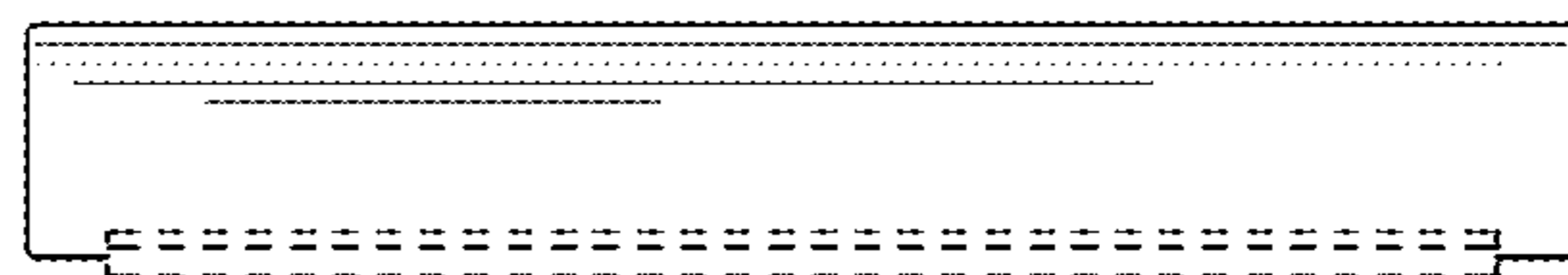


FIG. 5

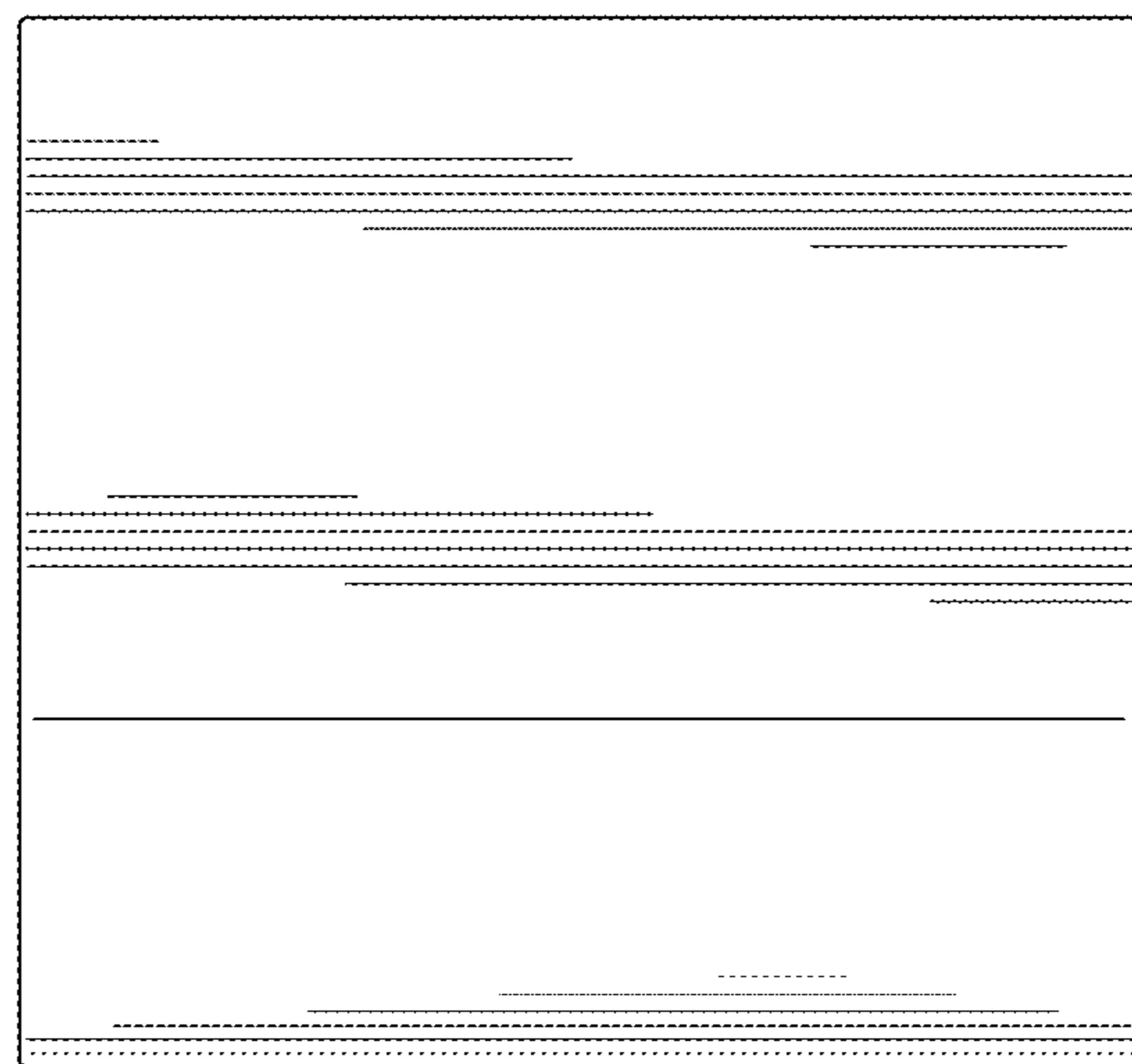


FIG. 6