



US00D728862S

(12) **United States Design Patent**
Kurowski

(10) **Patent No.:** **US D728,862 S**

(45) **Date of Patent:** **** May 5, 2015**

(54) **FINGER SLEEVE**

(76) Inventor: **Michael P. Kurowski**, Littleton, CO
(US)

(**) Term: **14 Years**

(21) Appl. No.: **29/416,346**

(22) Filed: **Mar. 21, 2012**

(51) **LOC (10) Cl.** **02-06**

(52) **U.S. Cl.**
USPC **D29/114**

(58) **Field of Classification Search**

CPC ... A41D 20/00; A41D 13/081; A41D 13/087;
A41D 13/088; A41D 13/084; A41D 13/085;
A41D 13/082

USPC D2/610, 611, 612, 613, 614, 615, 616,
D2/617, 618, 619, 620, 621, 622, 623;
D3/215, 218, 224, 226, 235, 271.2, 29;
D4/103; D21/807; D28/63; D32/40,
D32/41, 42, 43; 2/159, 162, 168, 16, 20,
2/161.1, 161.2, 161.3, 161.4, 161.5,
2/161.6, 161.7, 161.8; 15/227; 294/25

See application file for complete search history.

(56) **References Cited**

U.S. PATENT DOCUMENTS

207,708	A	9/1878	Boyer	
272,380	A *	2/1883	Ganss	2/66
405,097	A *	6/1889	Kaehler	2/66
540,975	A	6/1895	Grimes	
610,187	A *	9/1898	Leonard	2/66
1,533,441	A *	4/1925	Melling	63/15.8
1,863,960	A *	6/1932	Aronson	2/21
1,943,567	A	1/1934	Tweedie	
2,389,237	A *	11/1945	Petrullo	294/25
2,474,030	A	6/1949	Braswell	
2,643,389	A *	6/1953	Wegner	2/170
2,740,121	A	4/1956	Seidel	
D203,528	S *	1/1966	Kay	D2/858
3,248,112	A	4/1966	Metzger	

3,334,625	A *	8/1967	Baron	128/880
D209,385	S *	11/1967	Kay	D2/858
3,727,239	A *	4/1973	Thompson	2/123

(Continued)

FOREIGN PATENT DOCUMENTS

EM	002139162-0001	*	12/2012
WO	WO 98/20760		5/1998

OTHER PUBLICATIONS

10 Pcs Black Neoprene Finger Sleeve Protector Support (on-line).
Made available on the Internet on Apr. 25, 2011; retrieved from the
Internet on Dec. 15, 2014. URL: <http://www.uxcell.com/pcs-black-neoprene-finger-sleeve-protector-support-p-121686.html>. (3
pages).*

(Continued)

Primary Examiner — Karen E Eldridge Powers
(74) *Attorney, Agent, or Firm* — Sheridan Ross P.C.

(57) **CLAIM**

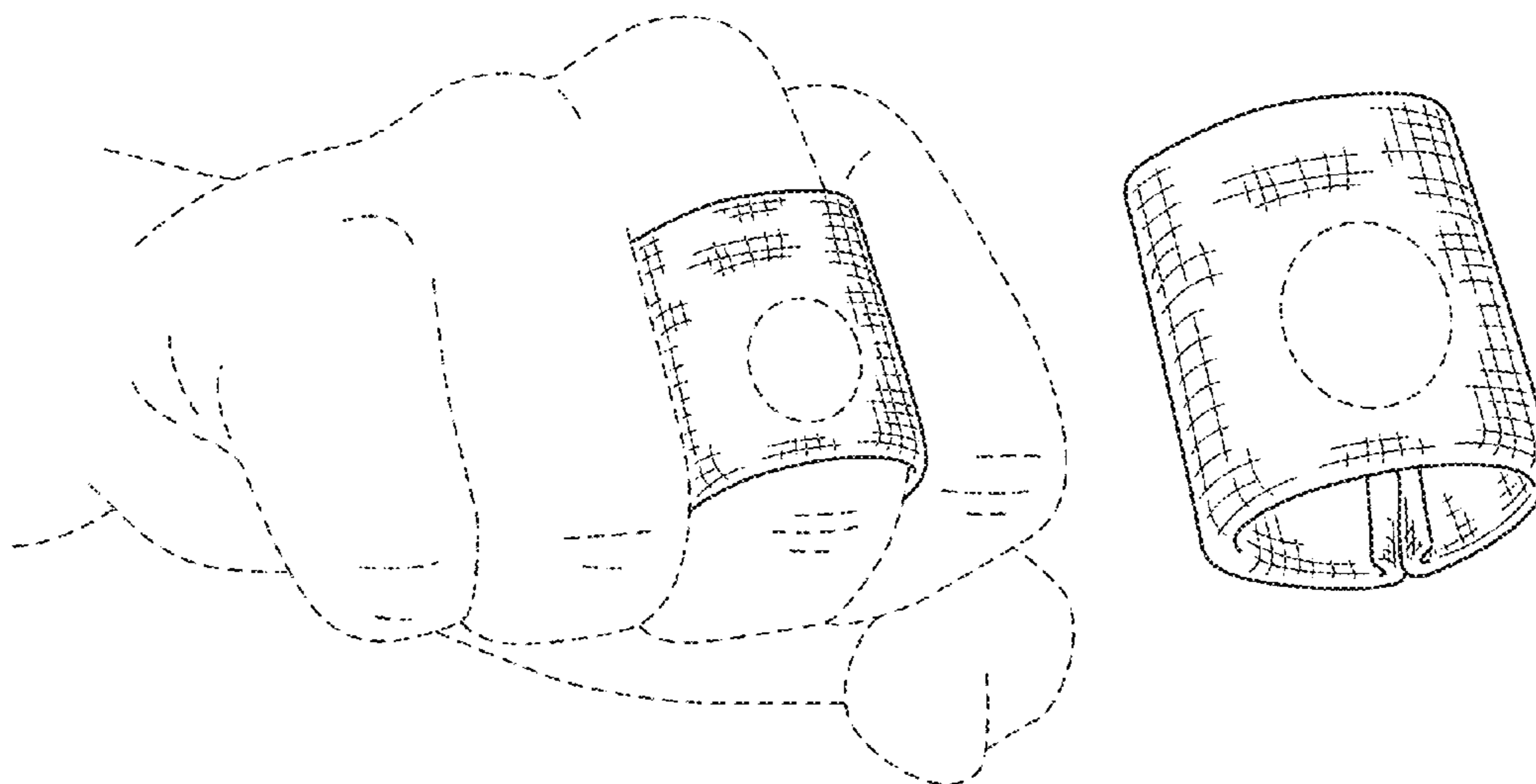
The ornamental design for a finger sleeve, as shown and described.

DESCRIPTION

FIG. 1 is a front perspective view of the finger sleeve;
FIG. 2 is another front perspective view thereof;
FIG. 3 is a front elevation view thereof, the back elevation
view being a mirror image of the front elevation view;
FIG. 4 is a top plan view thereof;
FIG. 5 is a bottom plan view thereof; and,
FIG. 6 is a left side elevation view thereof, the right side
elevation view being a mirror image of the left side elevation
view.

The broken line showing of a finger sleeve is included for the
purpose of illustrating environment and forms no part of the
claimed design.

1 Claim, 2 Drawing Sheets



(56)

References Cited

U.S. PATENT DOCUMENTS

4,091,491 A * 5/1978 Hoffman 15/227
 4,194,736 A 3/1980 Loafman
 4,491,494 A * 1/1985 Davis et al. 156/240
 4,506,663 A * 3/1985 Baron 128/880
 4,615,046 A 10/1986 Martin
 4,733,410 A 3/1988 Glotkin
 4,763,940 A 8/1988 Held
 4,881,275 A 11/1989 Cazares et al.
 4,908,881 A 3/1990 Field
 D316,915 S * 5/1991 Dryzal D29/120.1
 5,095,897 A * 3/1992 Clark et al. 602/22
 5,135,266 A 8/1992 Bridges et al.
 5,271,176 A * 12/1993 Anderson et al. 42/106
 5,305,470 A * 4/1994 McKay 2/7
 5,383,846 A 1/1995 Short
 5,409,754 A 4/1995 Yasuda et al.
 D362,701 S * 9/1995 Reilly D21/683
 5,449,341 A * 9/1995 Harris 602/63
 5,450,626 A 9/1995 Sorrels
 5,502,863 A * 4/1996 Perkins 15/227
 5,554,076 A 9/1996 Clark
 5,577,272 A 11/1996 Fisher
 5,609,165 A 3/1997 Lambert
 5,826,277 A * 10/1998 McConville 2/171
 5,838,642 A * 11/1998 Tully 368/282
 D403,138 S 12/1998 Wilmot
 5,906,546 A 5/1999 Albert
 6,012,165 A 1/2000 Cain
 6,049,022 A 4/2000 Tseng et al.
 6,112,331 A 9/2000 Horn
 6,155,836 A 12/2000 Hancock
 6,213,634 B1 * 4/2001 Harrington et al. 368/283
 6,237,148 B1 5/2001 Graham
 6,243,868 B1 6/2001 Wanzenried
 D463,071 S * 9/2002 Felix D29/114
 D467,828 S * 12/2002 Jones D11/26
 6,532,963 B2 3/2003 Swanbeck
 6,734,349 B1 * 5/2004 Adams 84/322
 6,839,905 B1 1/2005 Bruder et al.
 7,012,169 B2 3/2006 McDevitt et al.
 7,055,177 B2 * 6/2006 Svrcek 2/21

D528,249 S * 9/2006 Gazau D29/113
 7,251,836 B2 * 8/2007 Santiago 2/21
 7,325,553 B2 * 2/2008 Sievers 132/323
 D588,341 S * 3/2009 Turner D2/891
 D589,688 S * 4/2009 Turner D2/891
 D594,629 S * 6/2009 Tadevich D2/610
 7,654,111 B2 2/2010 Alley et al.
 7,712,153 B2 5/2010 Adams, Jr.
 7,779,483 B2 8/2010 Berry et al.
 7,789,845 B1 9/2010 Meliti
 7,793,361 B2 * 9/2010 Ishihara et al. 2/170
 8,141,281 B2 * 3/2012 Sample et al. 40/586
 8,209,776 B1 * 7/2012 Aragon et al. 2/170
 D675,382 S * 1/2013 Eugene et al. D29/114
 8,443,462 B1 * 5/2013 Eugene 2/21
 D687,334 S * 8/2013 Hertrich D11/26
 8,677,515 B2 * 3/2014 Ishihara et al. 2/170
 8,690,810 B2 * 4/2014 Greenberg et al. 602/22
 2003/0221241 A1 * 12/2003 Rivera et al. 2/170
 2004/0021330 A1 2/2004 Percell
 2004/0045071 A1 3/2004 Robins
 2006/0253952 A1 11/2006 Caudillo
 2006/0277641 A1 * 12/2006 Gazau 2/16
 2006/0282937 A1 12/2006 Morris
 2007/0277279 A1 12/2007 Battat
 2008/0004138 A1 1/2008 Webb
 2008/0005822 A1 1/2008 Lavner et al.
 2008/0018123 A1 1/2008 Cox
 2009/0083927 A1 * 4/2009 Sylvester 15/227
 2009/0206117 A1 * 8/2009 Chan 224/183
 2010/0125924 A1 5/2010 McWherter
 2011/0016610 A1 1/2011 Wieder
 2012/0061430 A1 * 3/2012 Hall 224/164
 2012/0111349 A1 * 5/2012 Bowsher 132/200
 2012/0297515 A1 * 11/2012 Mysyk 2/21
 2013/0047319 A1 * 2/2013 Canale 2/243.1
 2013/0192013 A1 * 8/2013 Clausen 15/210.1
 2014/0261527 A1 * 9/2014 Chen 132/273

OTHER PUBLICATIONS

Existing Prior Art Finger Sleeves as of Feb. 11, 2011.

* cited by examiner

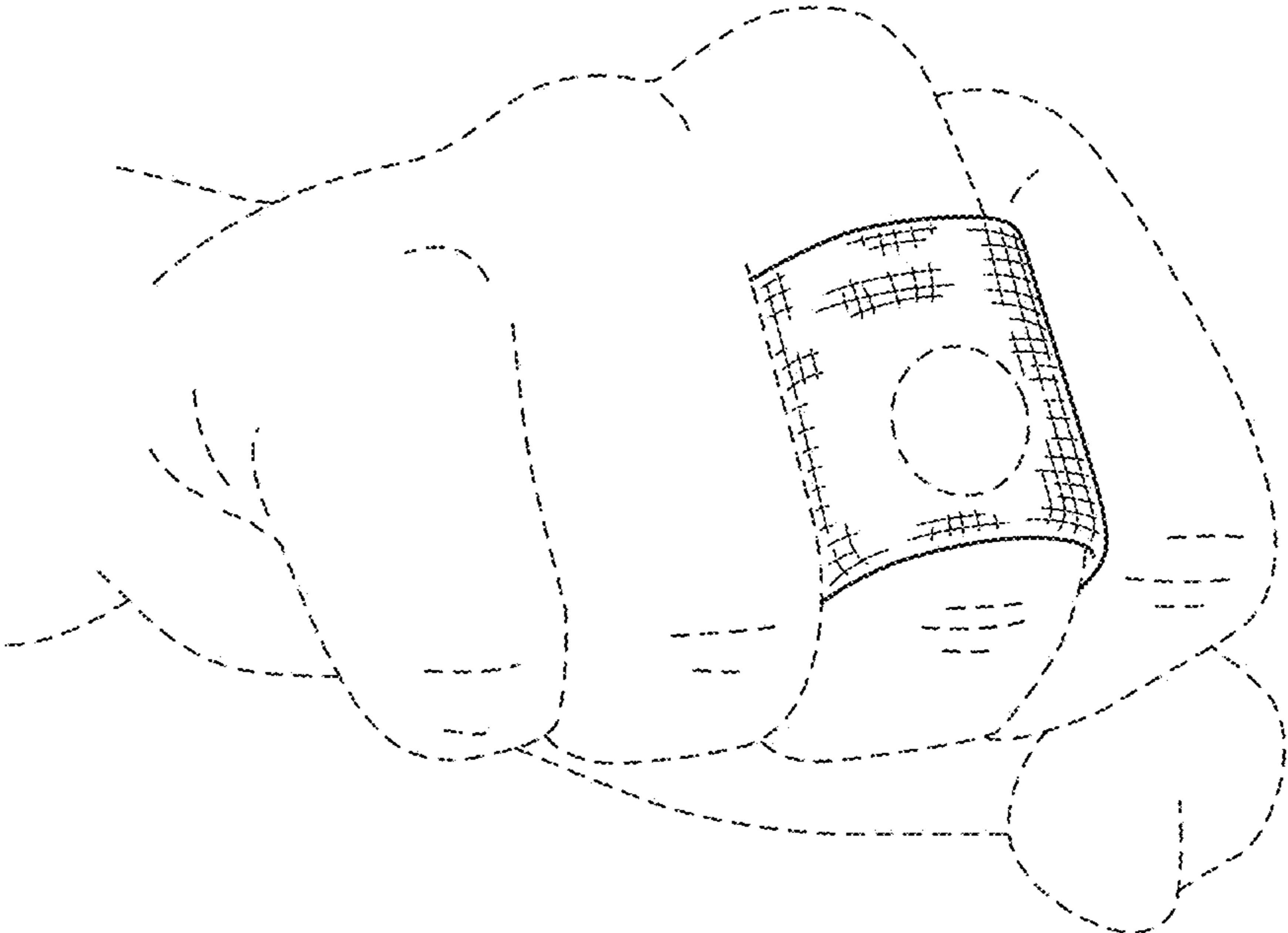


FIG. 1

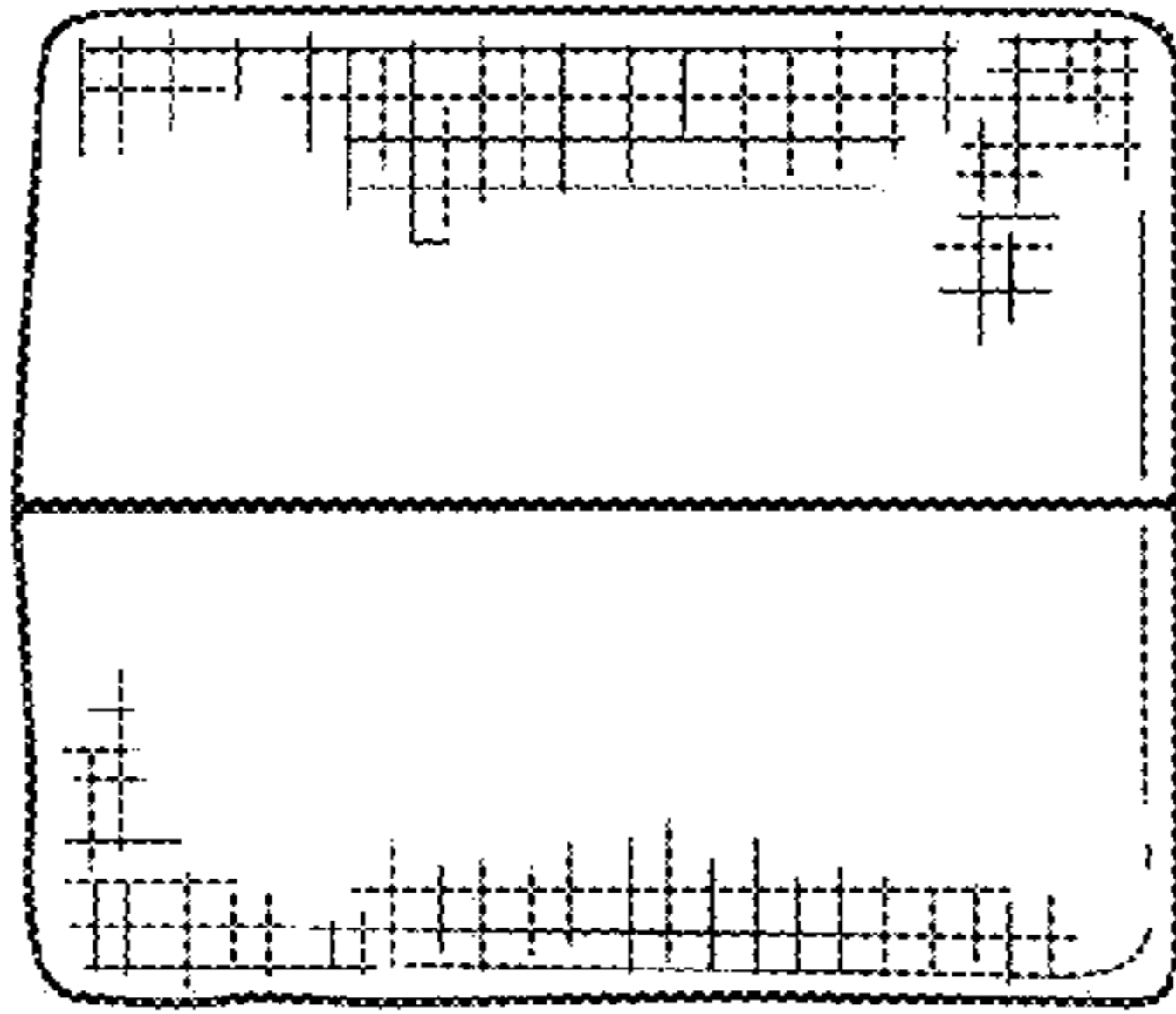


FIG. 5

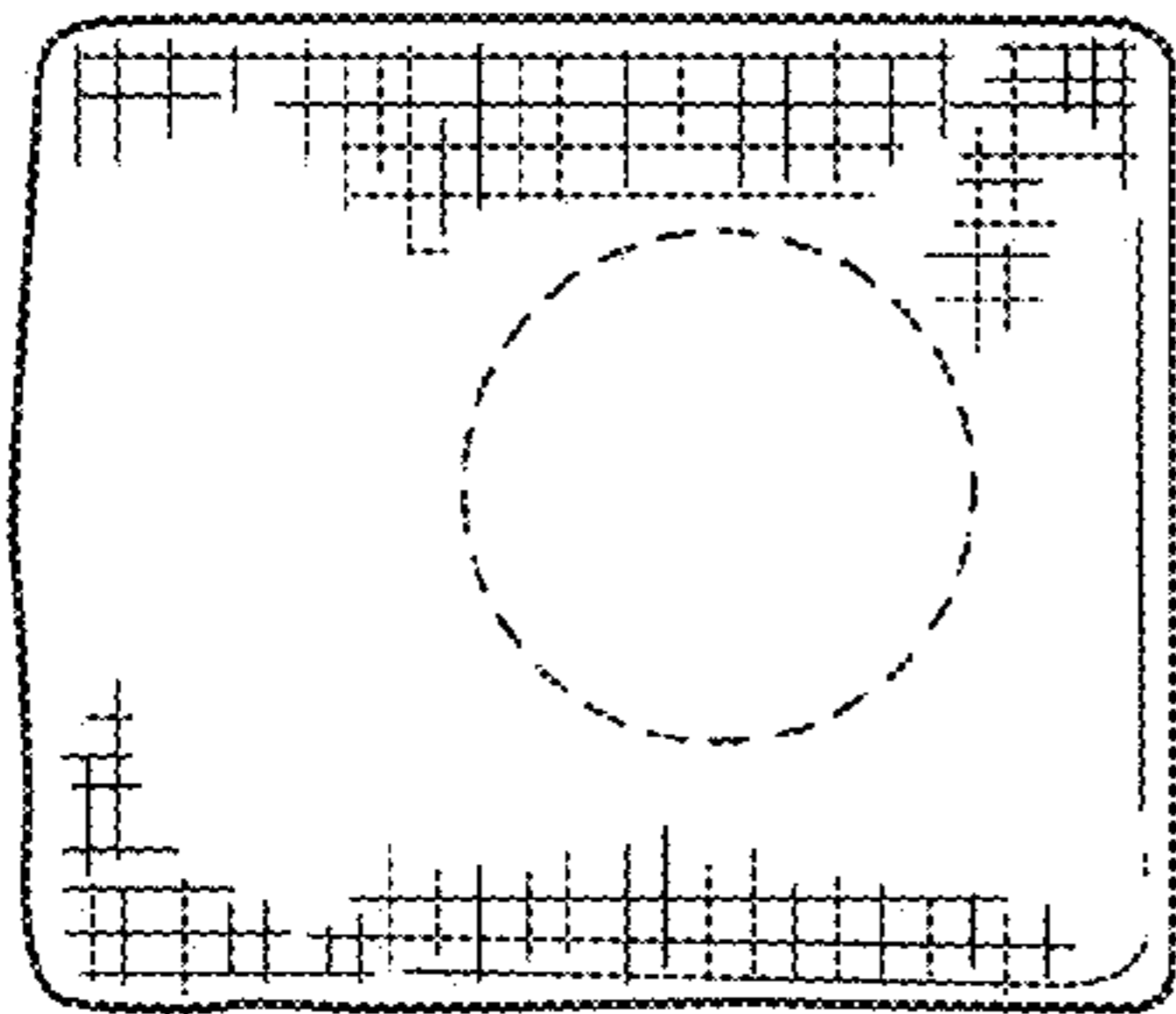


FIG. 4

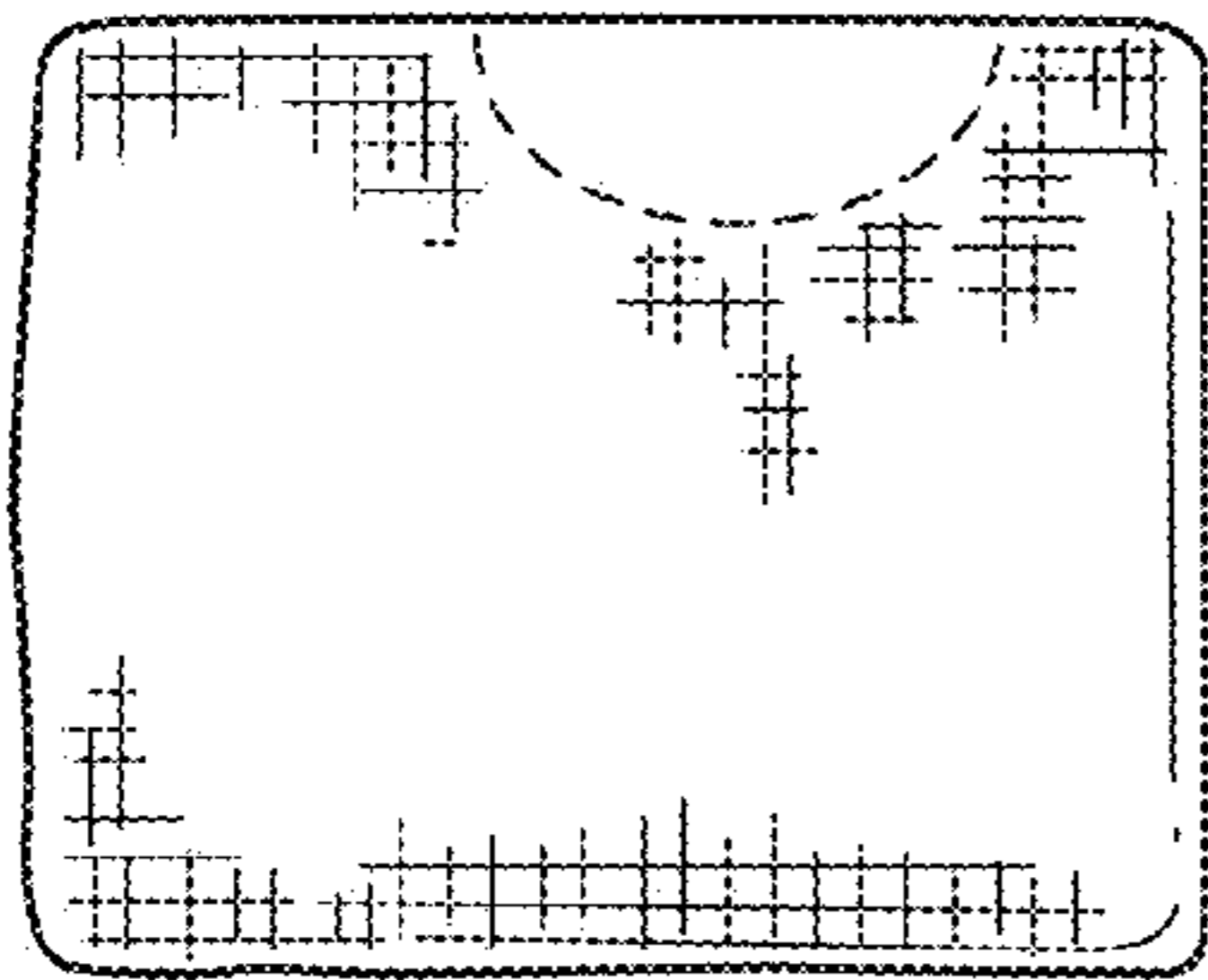


FIG. 6

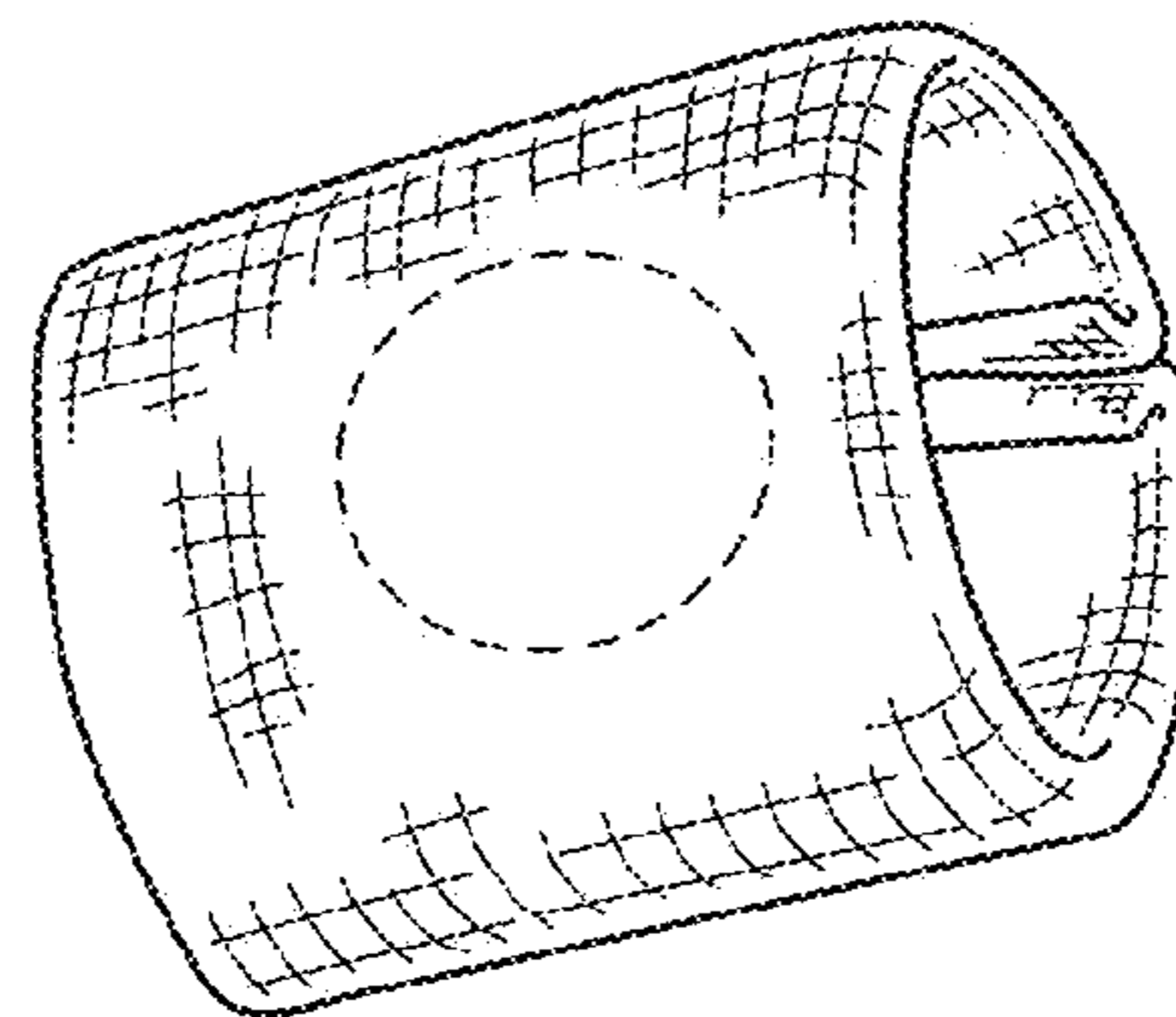


FIG. 2

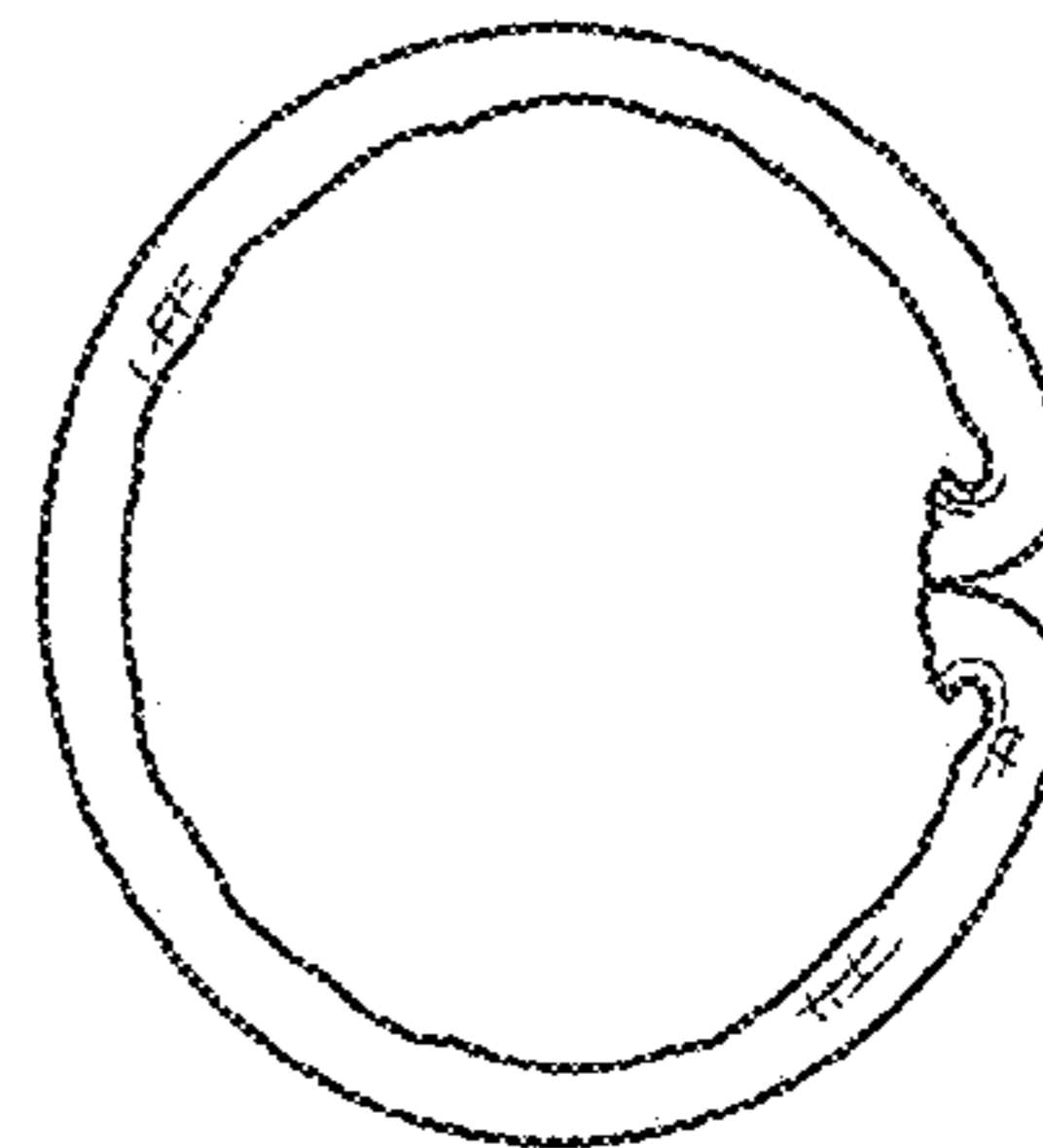


FIG. 3