



US00D728861S

(12) **United States Design Patent**  
**Pires et al.**

(10) **Patent No.:** **US D728,861 S**

(45) **Date of Patent:** **\*\* May 5, 2015**

(54) **COSMETIC CONTAINER**

(71) Applicant: **Zen Design Solutions Limited**, Tsim Sha Tsui, Kowloon (HK)

(72) Inventors: **Leo Clifford Pires**, Basking Ridge, NJ (US); **Roger Hwang**, Maple (CA); **Shourya Asthana**, New Delhi (IN)

(73) Assignee: **Zen Design Solutions Limited**, Kowloon, Hong Kong (CN)

(\*\*) Term: **14 Years**

(21) Appl. No.: **29/448,053**

(22) Filed: **Mar. 8, 2013**

(51) **LOC (10) Cl.** ..... **28-03**

(52) **U.S. Cl.**  
USPC ..... **D28/82**

(58) **Field of Classification Search**  
CPC ... A45D 40/0075; A45D 40/22; A45D 40/24; A45D 33/16; A45D 33/24  
USPC ..... D28/76, 77, 78, 82; D9/504, 529, 549; 132/295, 296, 300, 301, 305, 315, 316  
See application file for complete search history.

(56) **References Cited**

U.S. PATENT DOCUMENTS

D272,128 S *	1/1984	Parmentier	.....	D9/425
D335,085 S *	4/1993	Wacker	.....	D9/504
D373,084 S *	8/1996	Choi	.....	D9/504
D392,888 S *	3/1998	Bakic	.....	D9/503
D525,131 S *	7/2006	Davies et al.	.....	D9/504
D581,279 S *	11/2008	Oates	.....	D9/529
D581,280 S *	11/2008	Oates	.....	D9/529

D610,460 S *	2/2010	Nagata	.....	D9/504
D643,694 S *	8/2011	Lu	.....	D7/629
D662,260 S *	6/2012	Pires et al.	.....	D28/77
D689,243 S *	9/2013	Parker	.....	D28/82
8,528,789 B2 *	9/2013	Ramsey et al.	.....	222/182

(Continued)

*Primary Examiner* — Jennifer Rivard

(74) *Attorney, Agent, or Firm* — Patterson + Sheridan, LLP

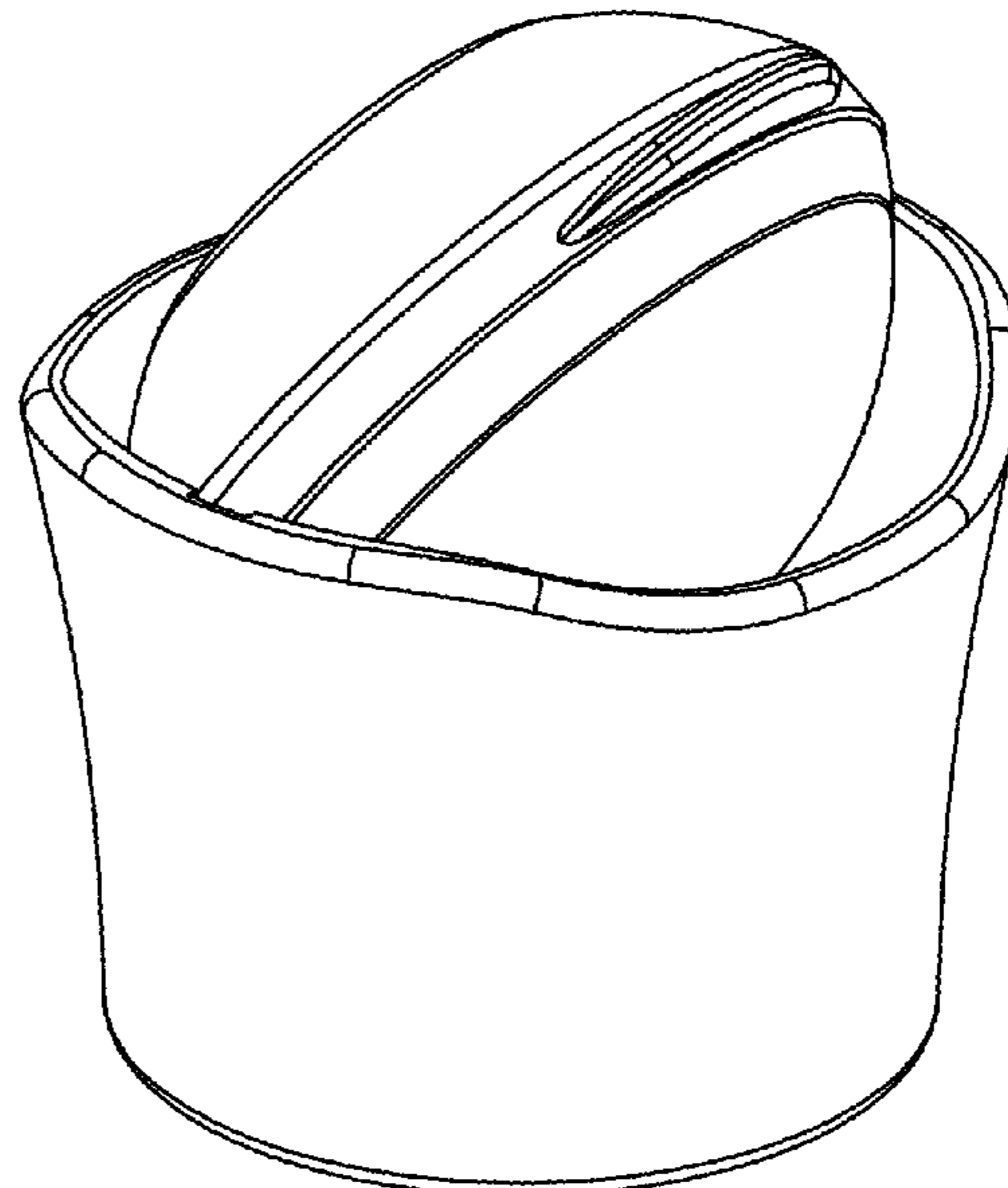
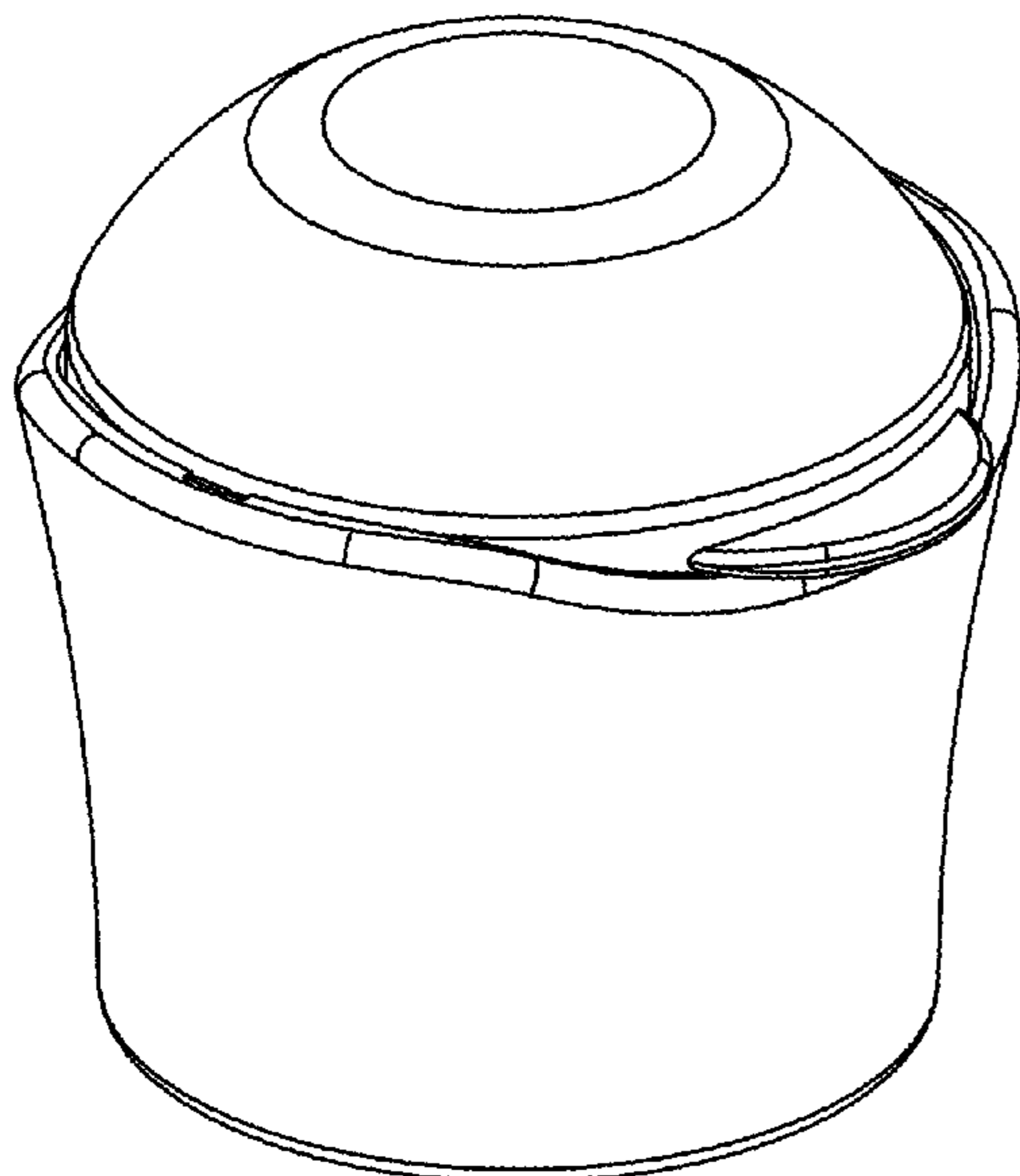
(57) **CLAIM**

The ornamental design for a “cosmetic container,” as shown and described.

**DESCRIPTION**

FIG. 1 illustrates an isometric view of a cosmetic container according to the invention;  
 FIG. 2 is a front view of the cosmetic container of FIG. 1;  
 FIG. 3 is a rear view of the cosmetic container of FIG. 1;  
 FIG. 4 is a right view of the cosmetic container of FIG. 1;  
 FIG. 5 is a left view of the cosmetic container of FIG. 1;  
 FIG. 6 is a top view of the cosmetic container of FIG. 1;  
 FIG. 7 is a bottom view of the cosmetic container of FIG. 1;  
 FIG. 8 illustrates an isometric view of a cosmetic container of FIG. 1 with the cap flipped so as to partially expose the ornamental configuration of the underlying product;  
 FIG. 9 illustrates an isometric view of a cosmetic container of FIG. 1 with the cap flipped so as to completely expose the ornamental configuration of the underlying product;  
 FIG. 10 is a front view of the cosmetic container of FIG. 9;  
 FIG. 11 is a rear view of the cosmetic container of FIG. 9;  
 FIG. 12 is a right view of the cosmetic container of FIG. 9;  
 FIG. 13 is a left view of the cosmetic container of FIG. 9;  
 FIG. 14 is a top view of the cosmetic container of FIG. 9; and,  
 FIG. 15 is a bottom view of the cosmetic container of FIG. 9.

**1 Claim, 9 Drawing Sheets**



(56)

**References Cited**

U.S. PATENT DOCUMENTS

8,851,088	B2 *	10/2014	Dibnah et al.	132/294	2012/0097712	A1 *	4/2012	Esteve et al.	222/390
D720,890	S *	1/2015	Shen	D28/82	2013/0006040	A1 *	1/2013	Lee	600/15
2008/0060673	A1 *	3/2008	Shen	132/300	2014/0014131	A1 *	1/2014	Zhang	132/316
2009/0308408	A1 *	12/2009	Winckels et al.	132/295	2014/0026921	A1 *	1/2014	Zhang	132/315
					2014/0299600	A1 *	10/2014	Chevalier	220/254.9
					2014/0318569	A1 *	10/2014	Bueti et al.	132/295
					2014/0326273	A1 *	11/2014	Kalyanpur et al.	132/314

\* cited by examiner

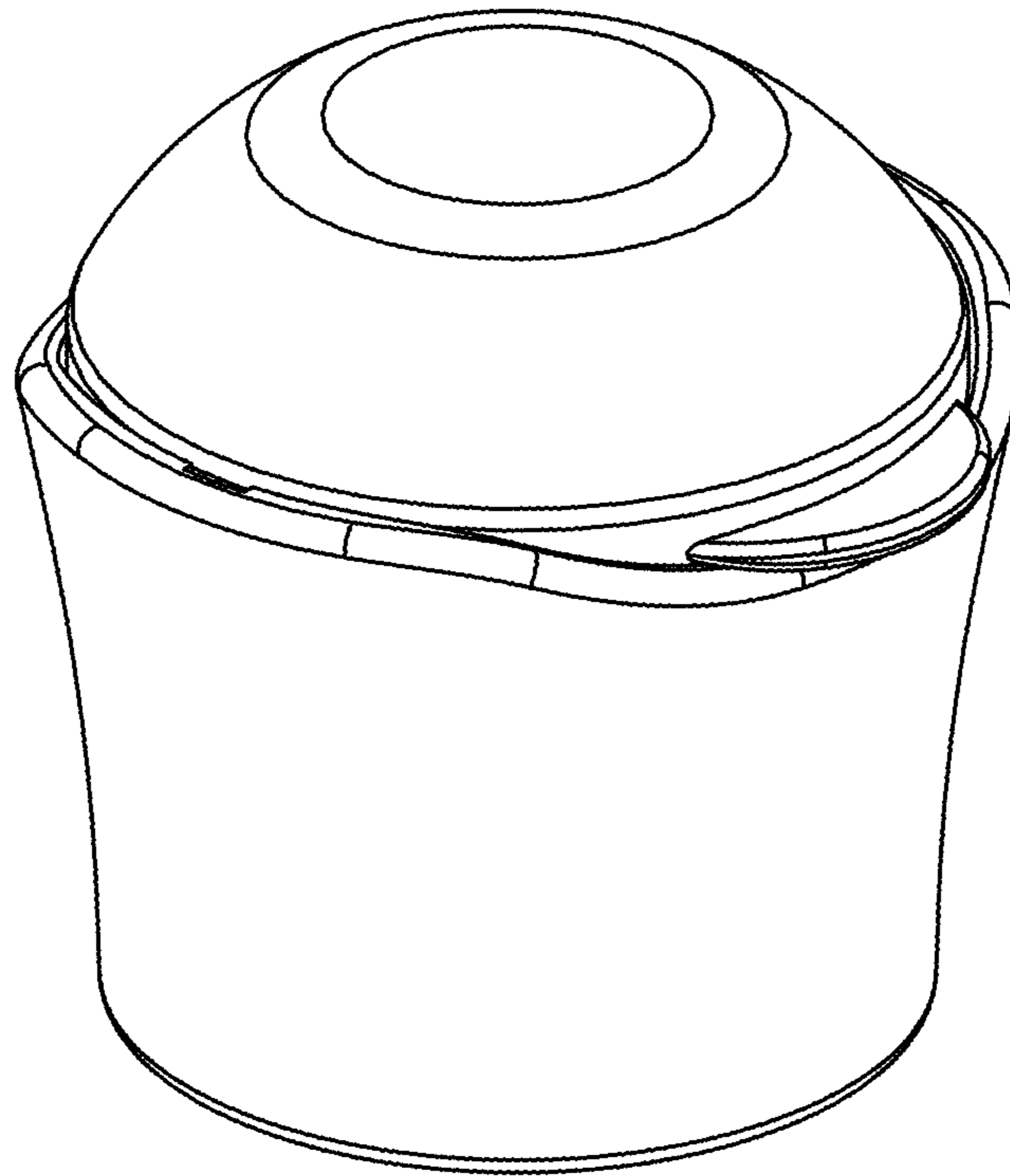


FIG. 1

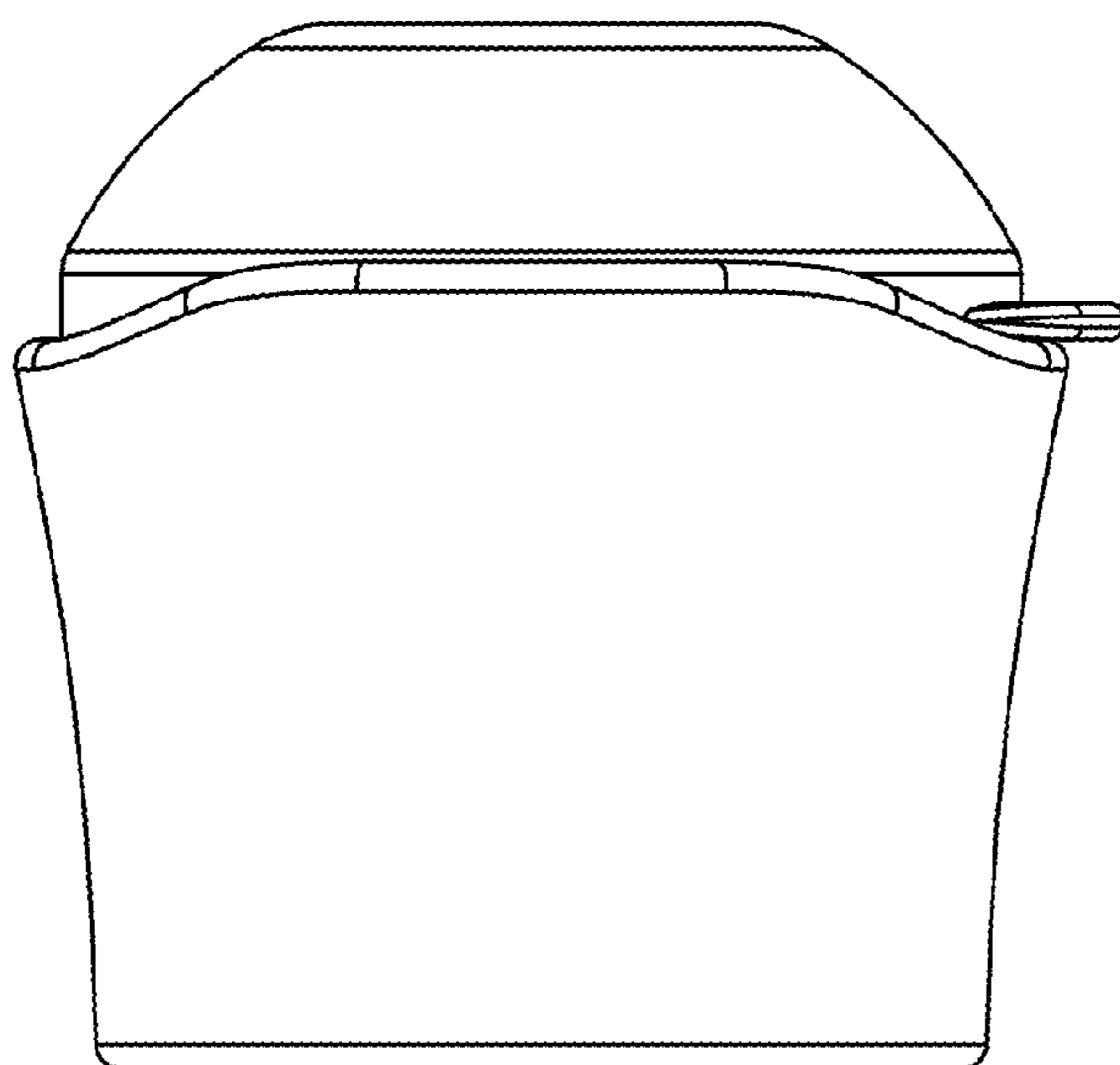


FIG. 2

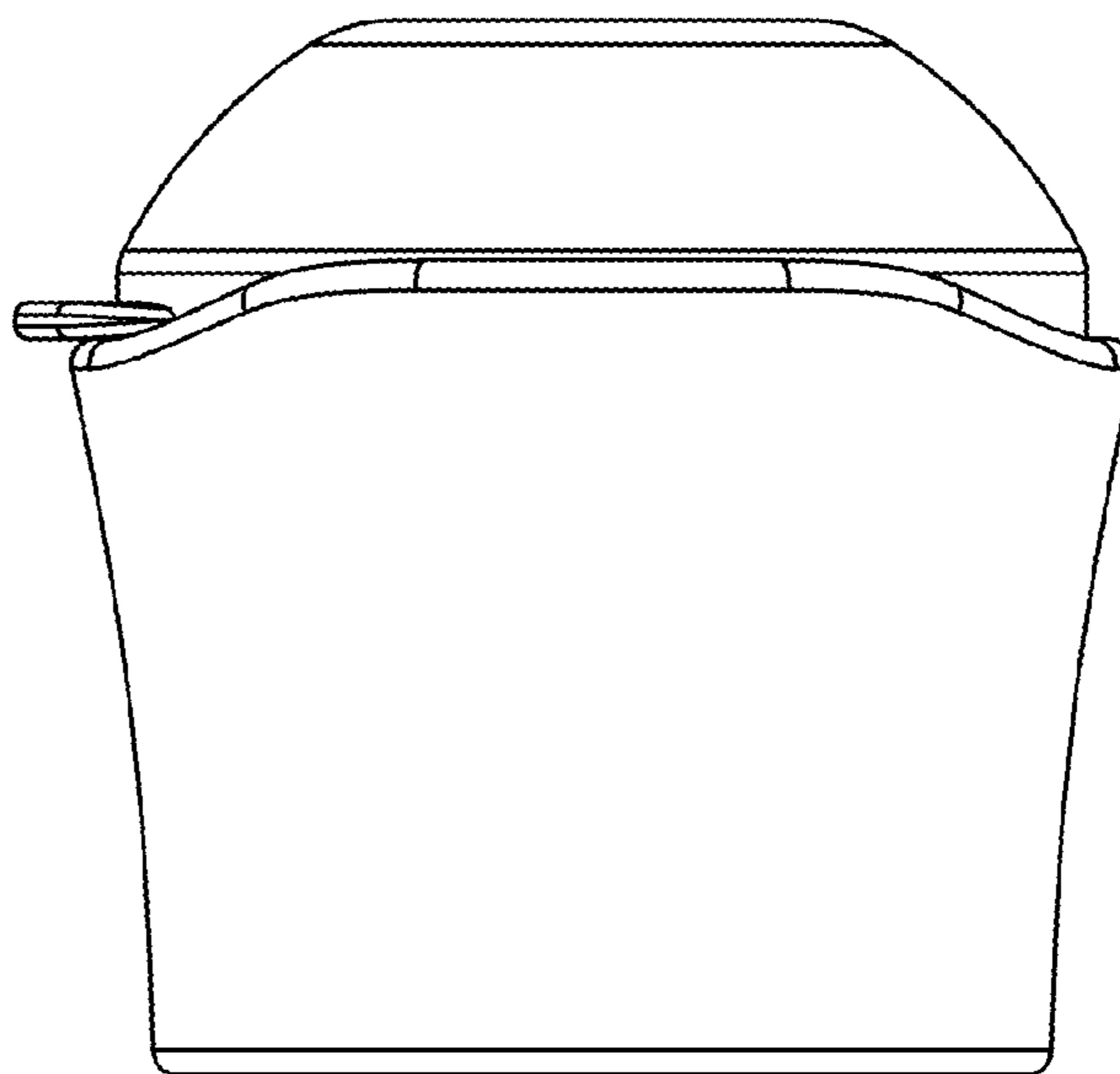


FIG. 3

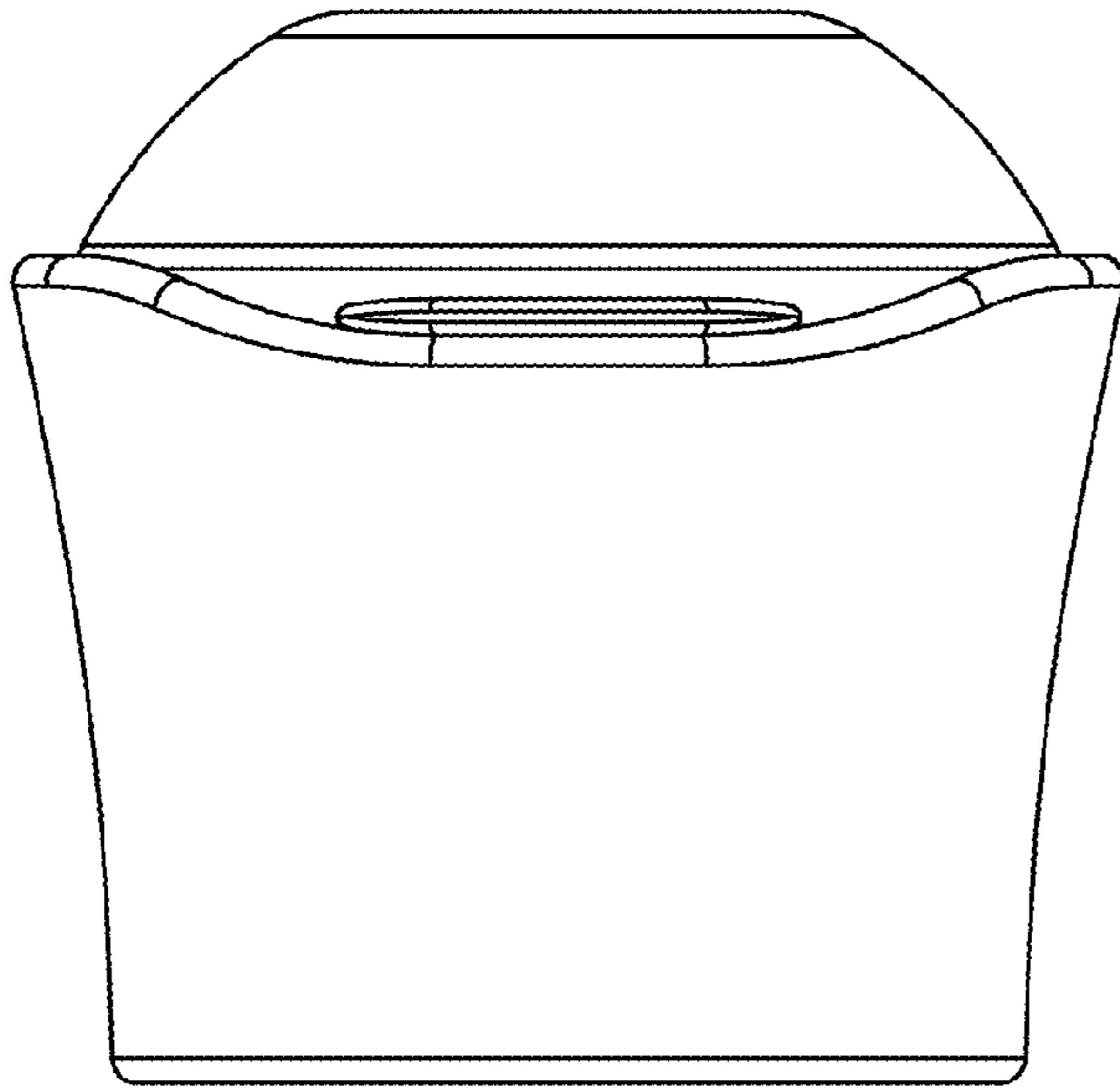


FIG. 4

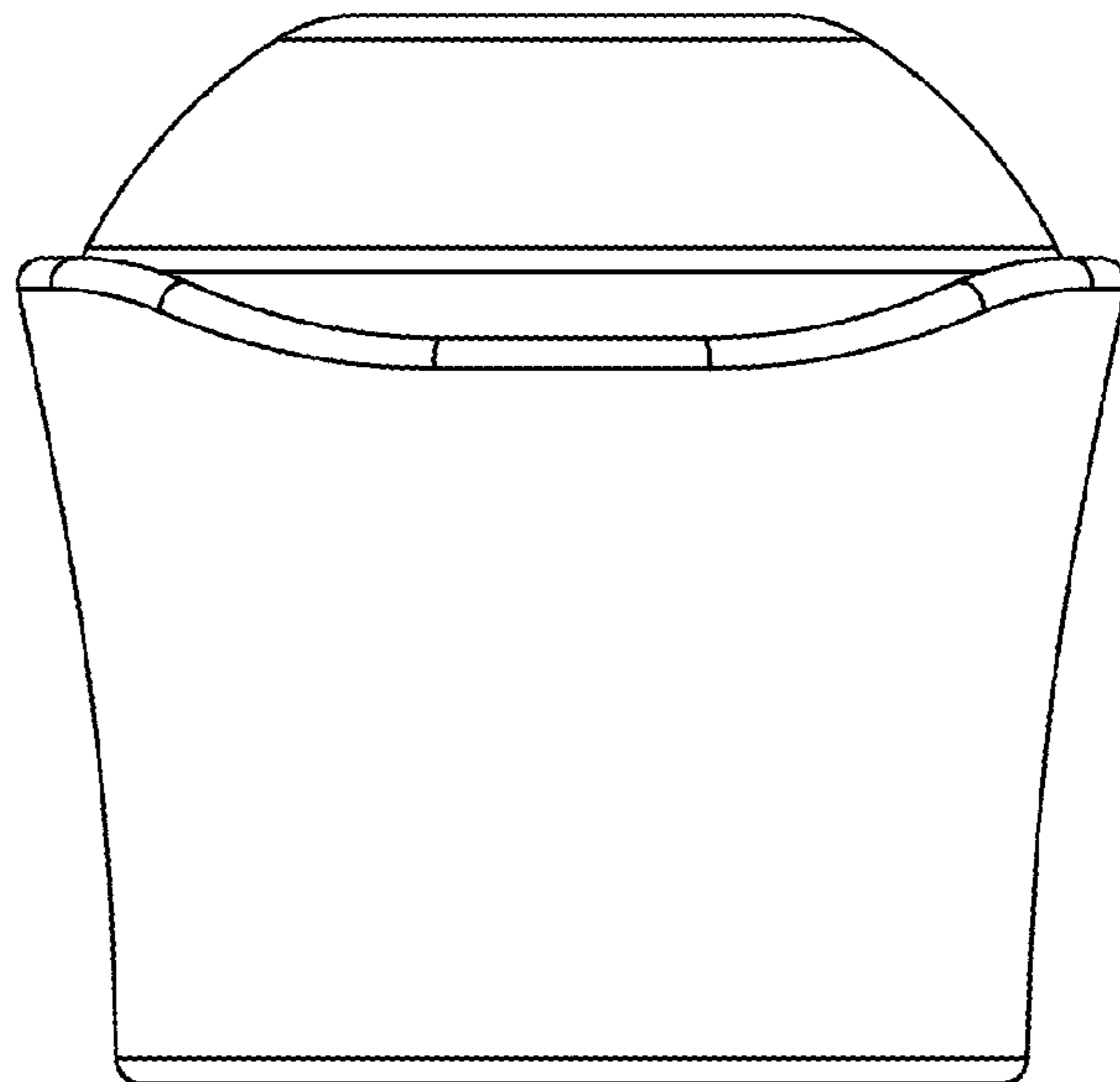


FIG. 5

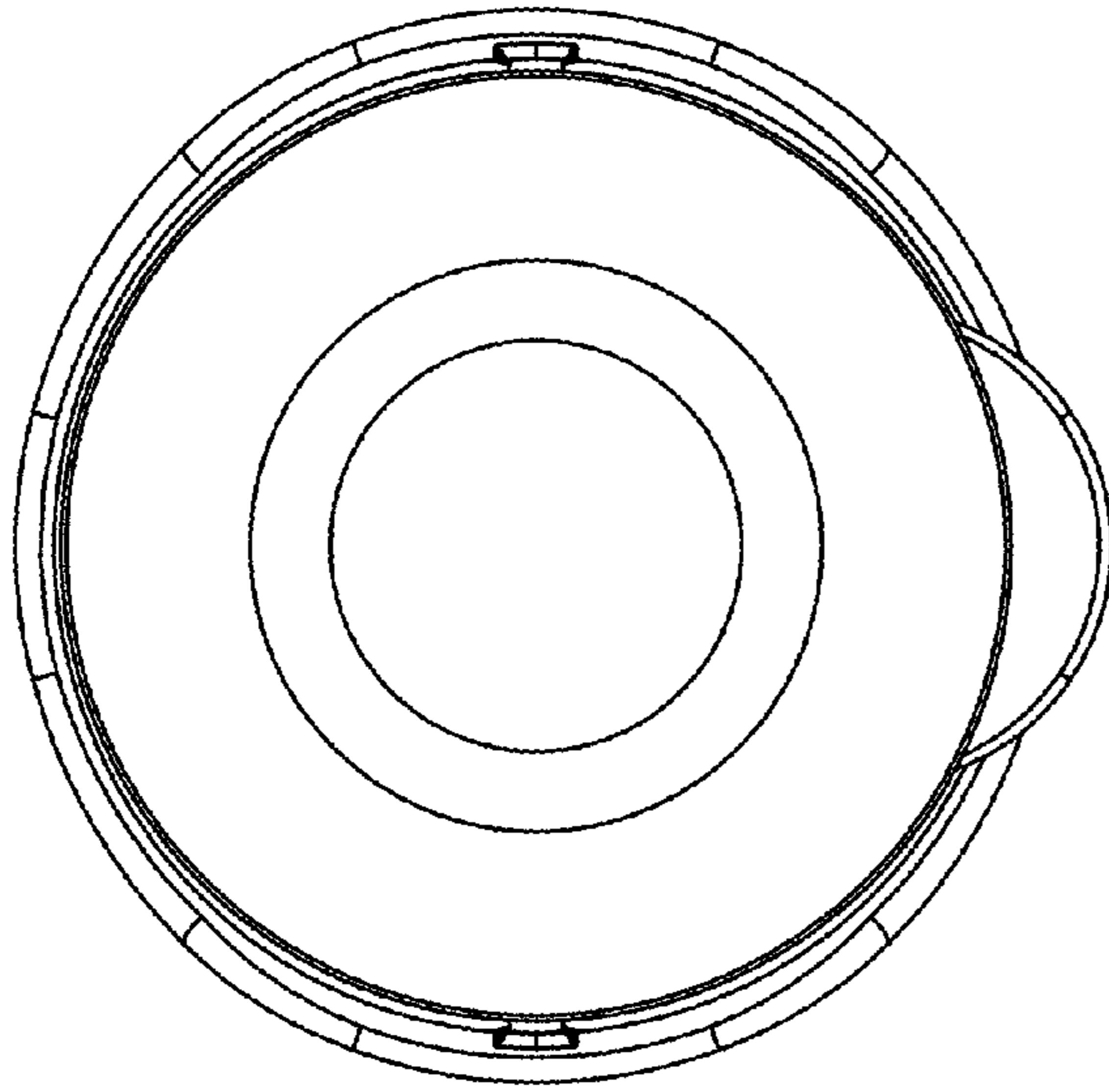


FIG. 6

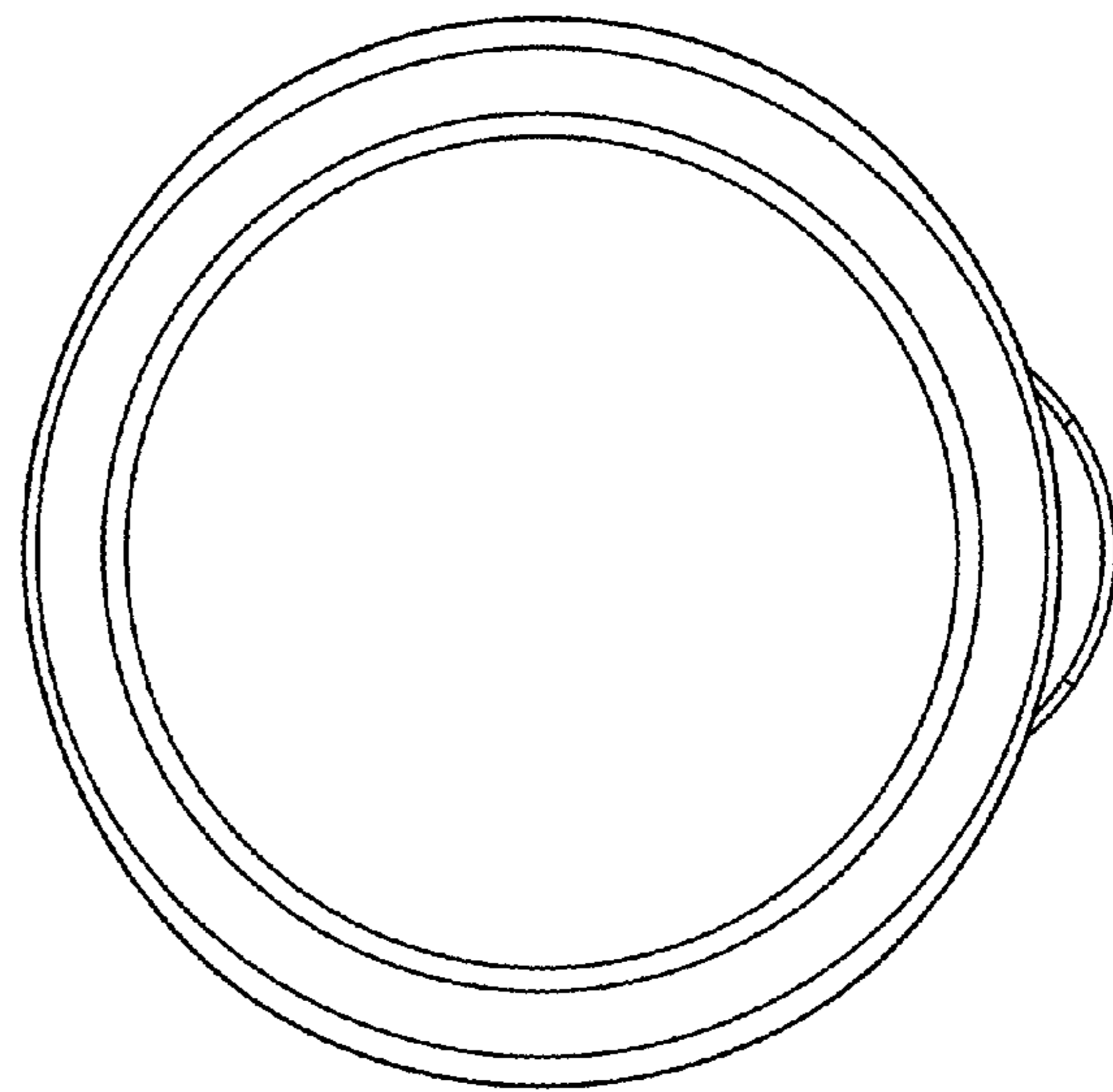


FIG. 7

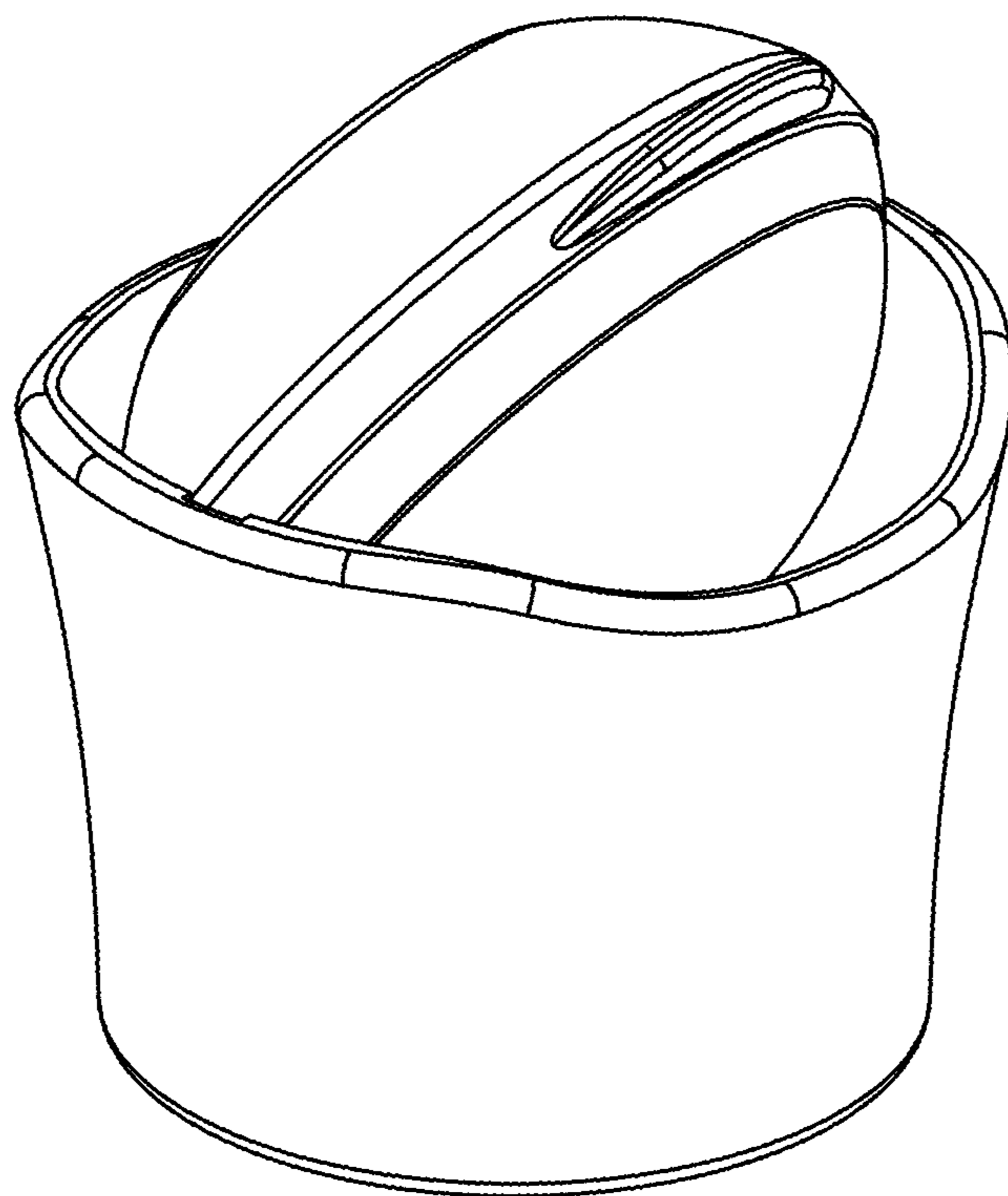


FIG. 8

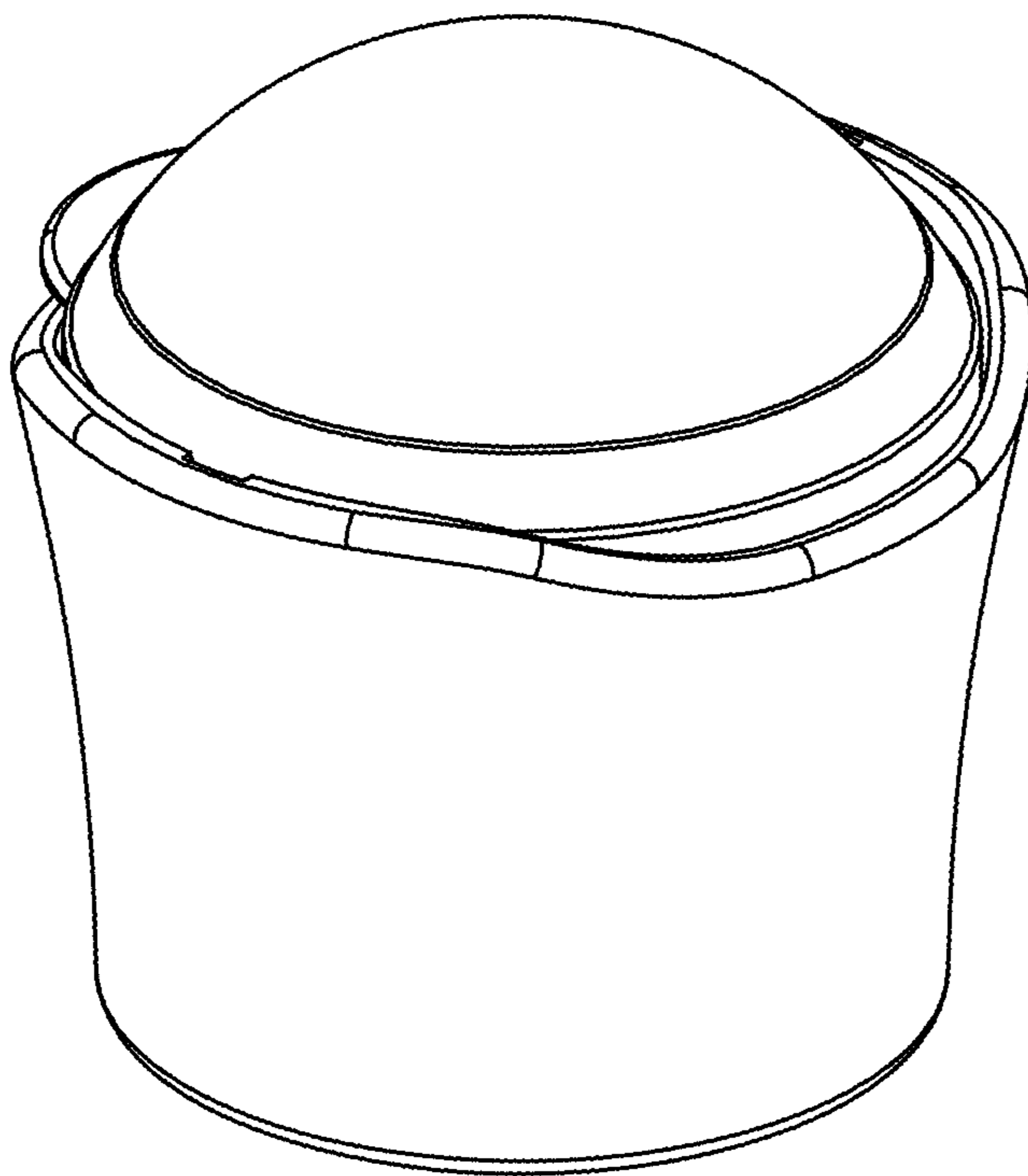


FIG. 9



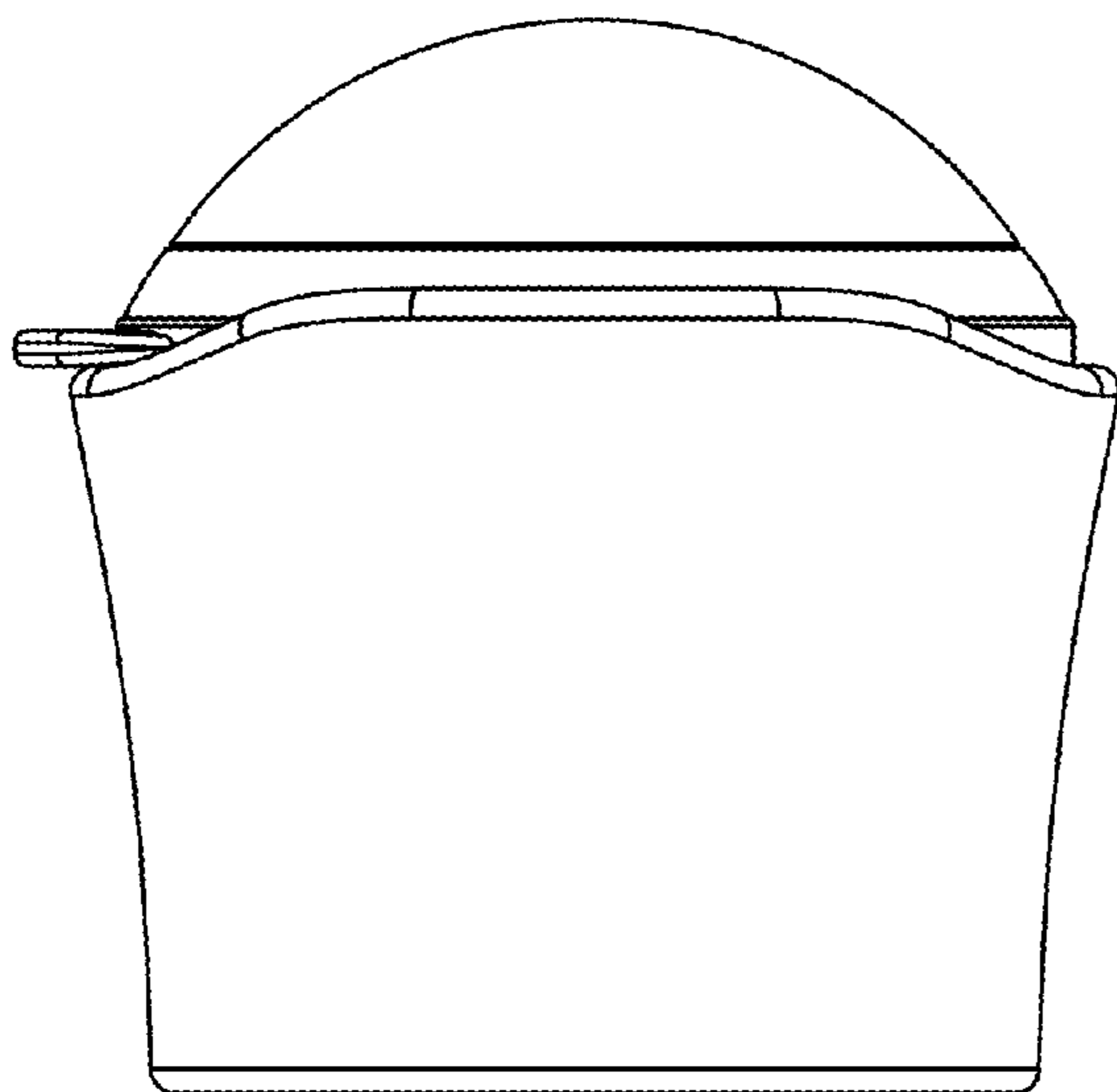


FIG. 10

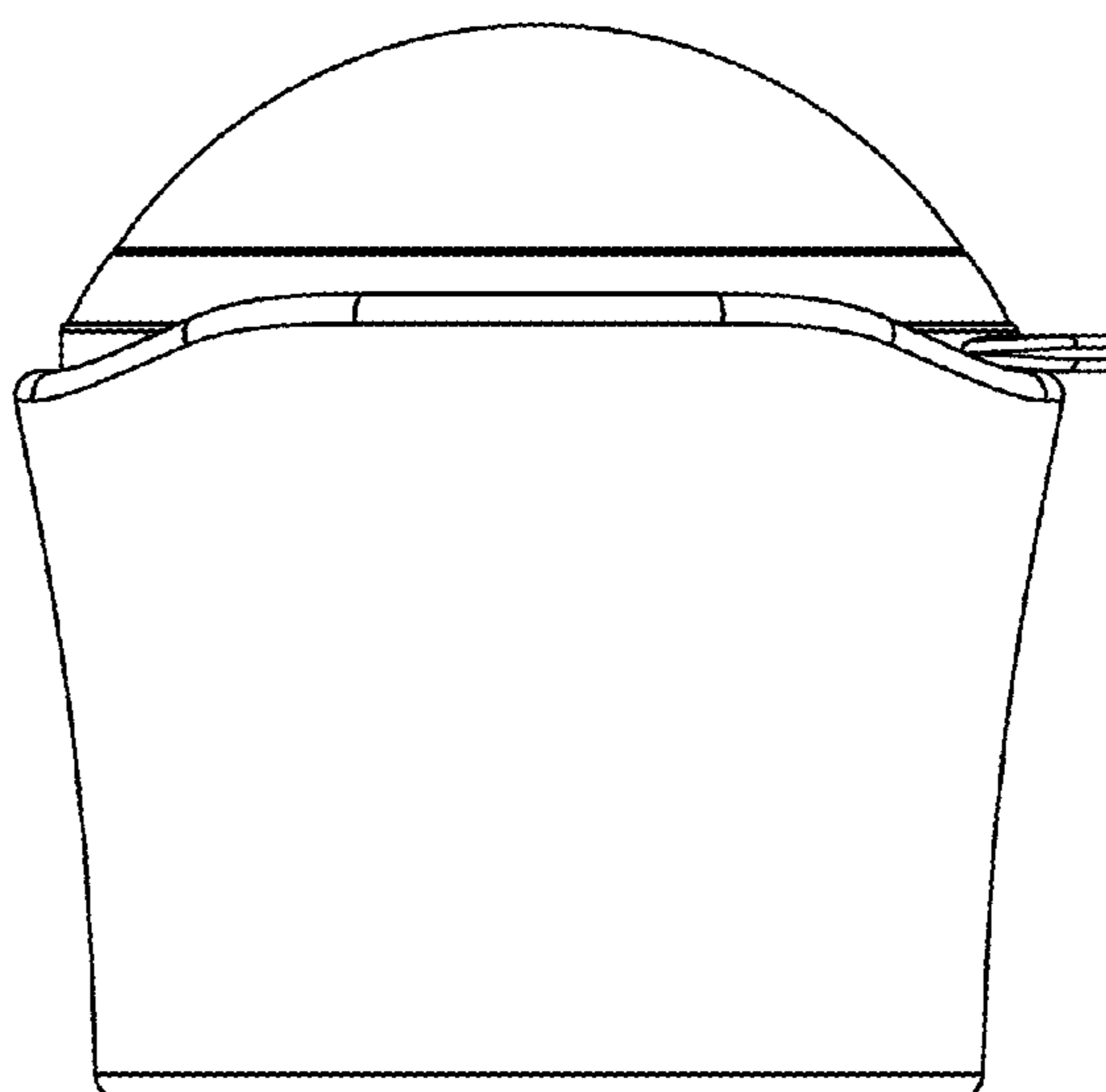


FIG. 11

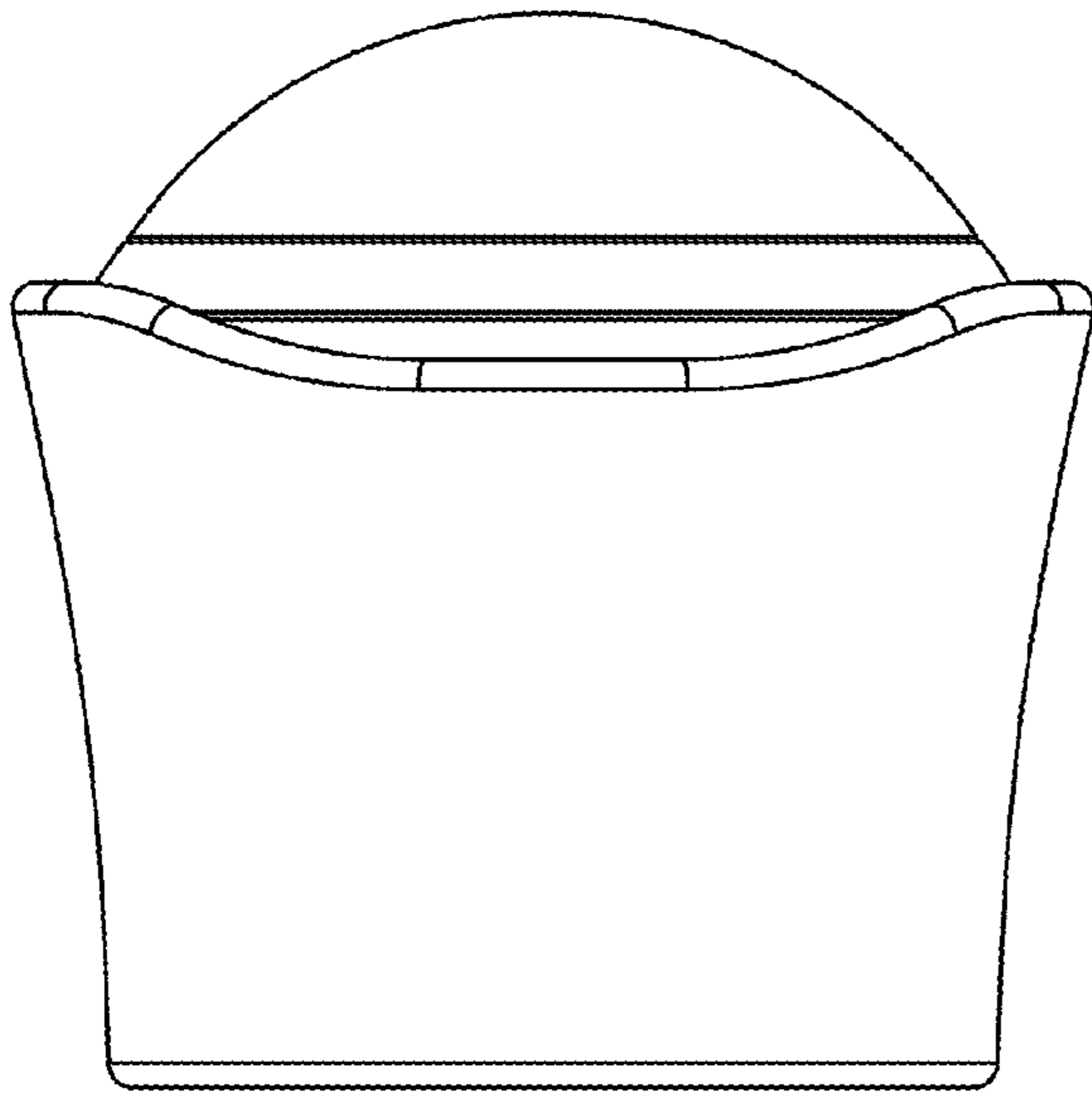


FIG. 12

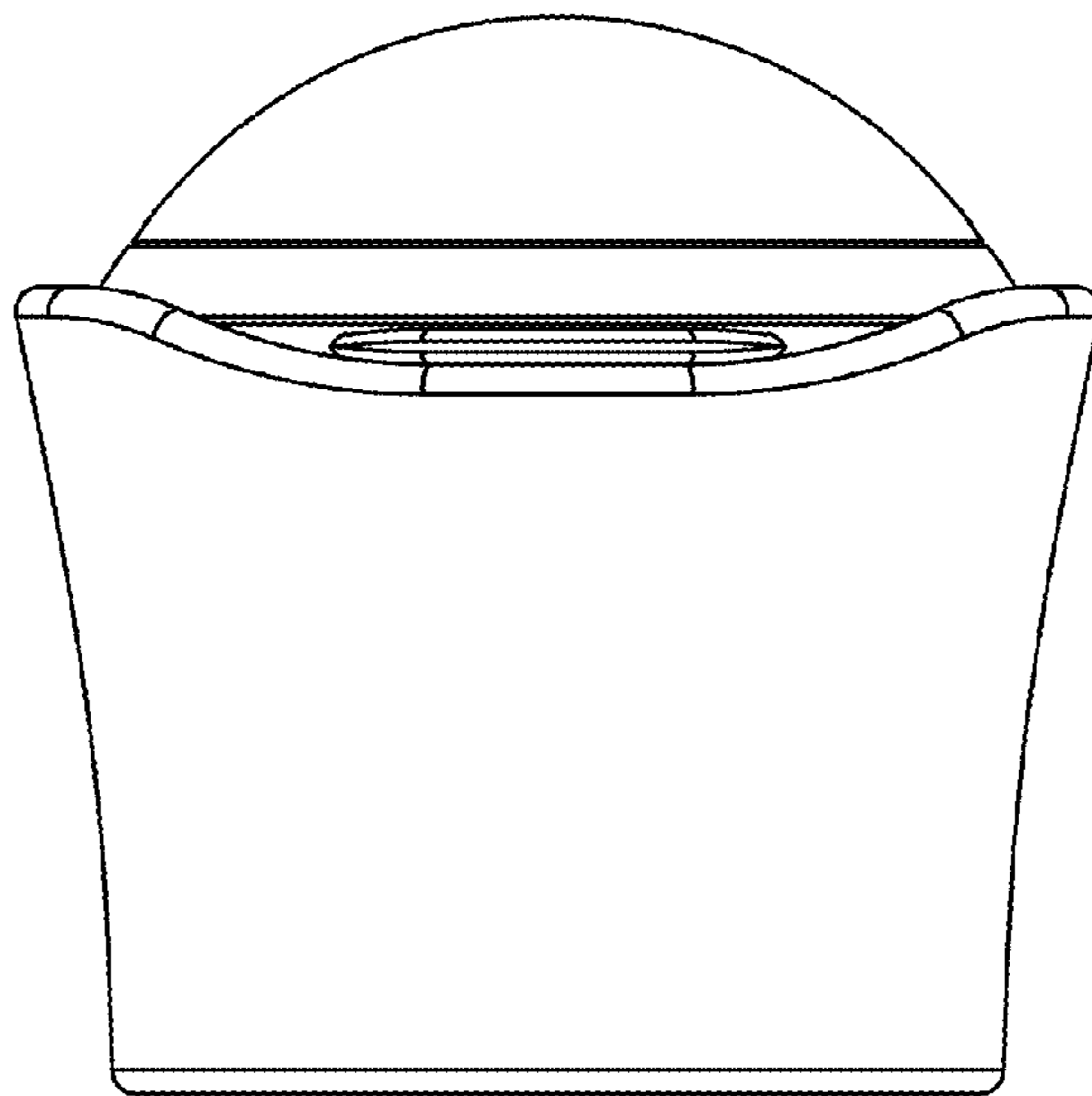


FIG. 13

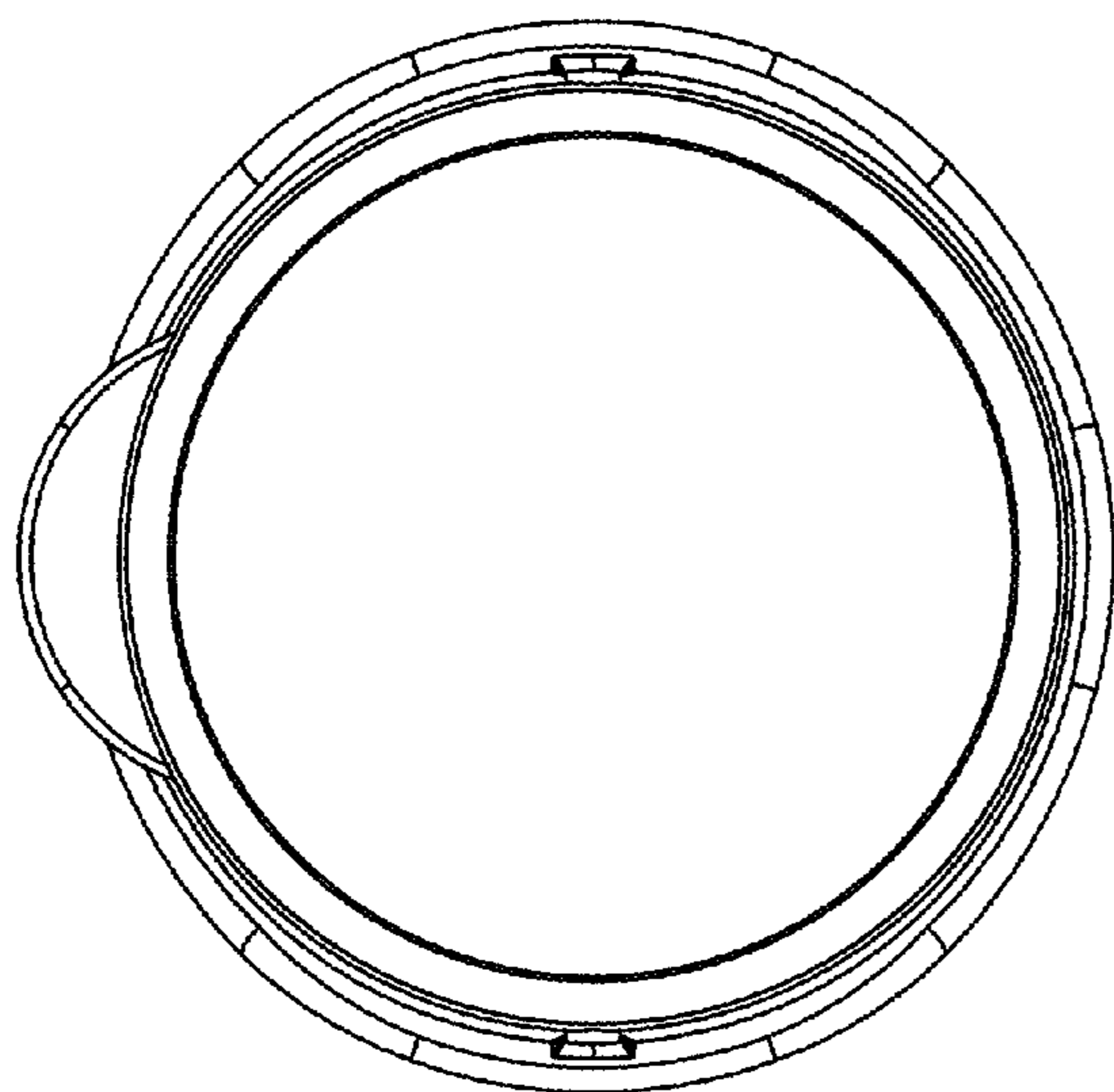


FIG. 14

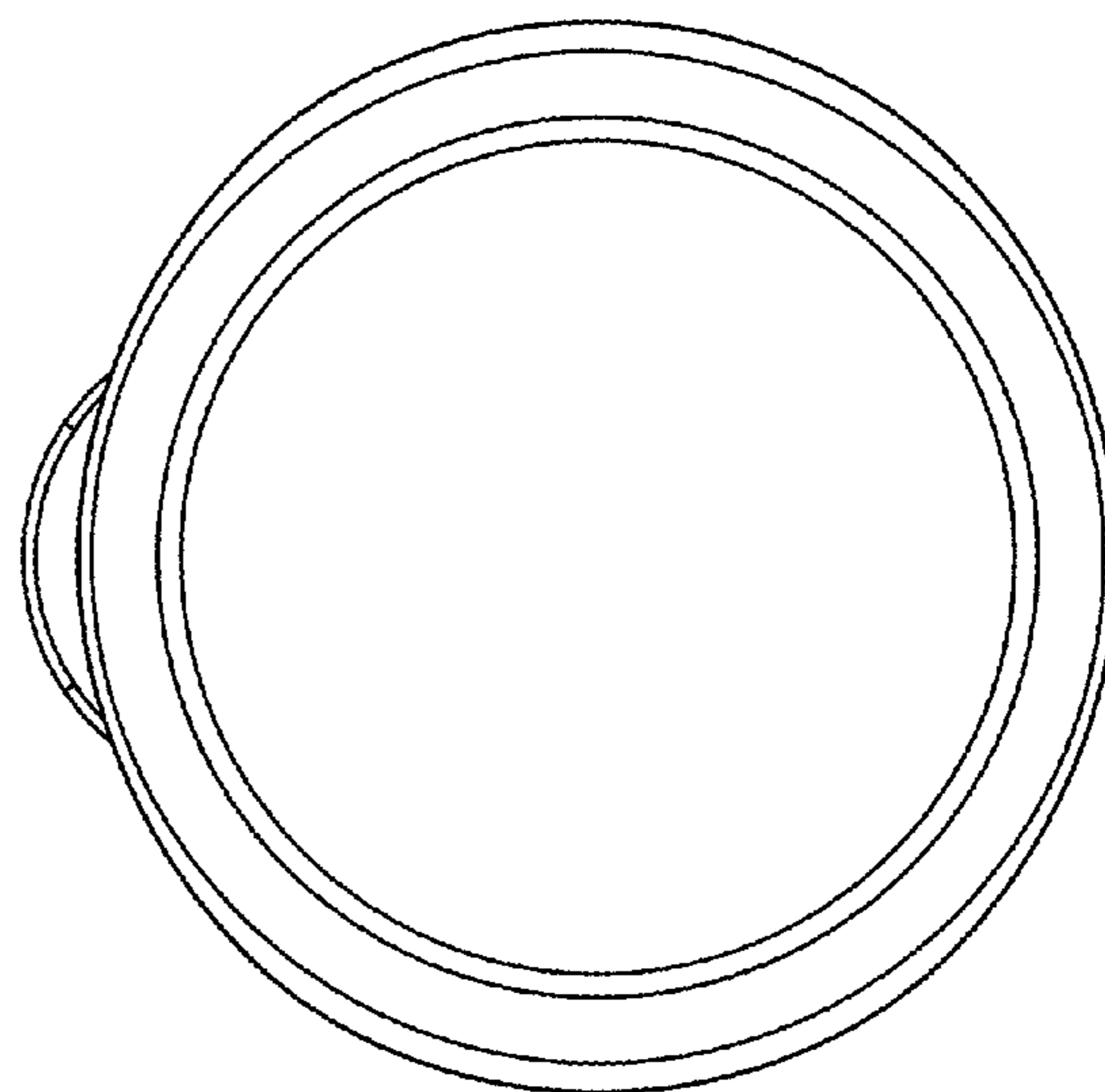


FIG. 15