



US00D728860S

(12) **United States Design Patent**
Blanch

(10) **Patent No.:** **US D728,860 S**

(45) **Date of Patent:** **** May 5, 2015**

(54) **COSMETICS STORAGE DEVICE**

(56) **References Cited**

(71) Applicant: **Le Metier de Beaute**, New York, NY
(US)

U.S. PATENT DOCUMENTS

(72) Inventor: **Richard Blanch**, Hopewell Junction,
NY (US)

3,188,157	A *	6/1965	Rand	220/23.8
3,392,868	A *	7/1968	Pfrommer	220/4.27
6,041,935	A *	3/2000	Yang	206/581
D471,321	S *	3/2003	Lai	D28/82
D524,989	S *	7/2006	Lombardi	D28/82
2004/0237994	A1 *	12/2004	Delage	132/304
2010/0319724	A1 *	12/2010	Chung	132/295

(73) Assignee: **Maison De Beaute, LLC**, New York,
NY (US)

* cited by examiner

(**) Term: **14 Years**

Primary Examiner — Jennifer Rivard

(21) Appl. No.: **29/446,753**

(74) *Attorney, Agent, or Firm* — Millen, White, Zelano &
Branigan, P.C.

(22) Filed: **Feb. 27, 2013**

(57) **CLAIM**

(51) **LOC (10) Cl.** **28-03**

The ornamental design for a cosmetics storage device, as
shown and described.

(52) **U.S. Cl.**

DESCRIPTION

USPC **D28/82**

(58) **Field of Classification Search**

CPC A45D 33/006; A45D 33/003; A45D
33/04–33/16; A45D 33/025; A45D 33/02;
A45D 33/20; A45D 33/22; A45D 33/24;
A45D 33/26; A45D 33/28; A45D 33/18;
A45D 40/22; A45D 40/222; A45D 40/24;
A45D 42/02

USPC D28/64.1–64.7, 76–84; 206/581, 823;
132/286–318; D9/503–505, 421, 428,
D9/447; D3/901; 220/4.27

See application file for complete search history.

1 Claim, 8 Drawing Sheets

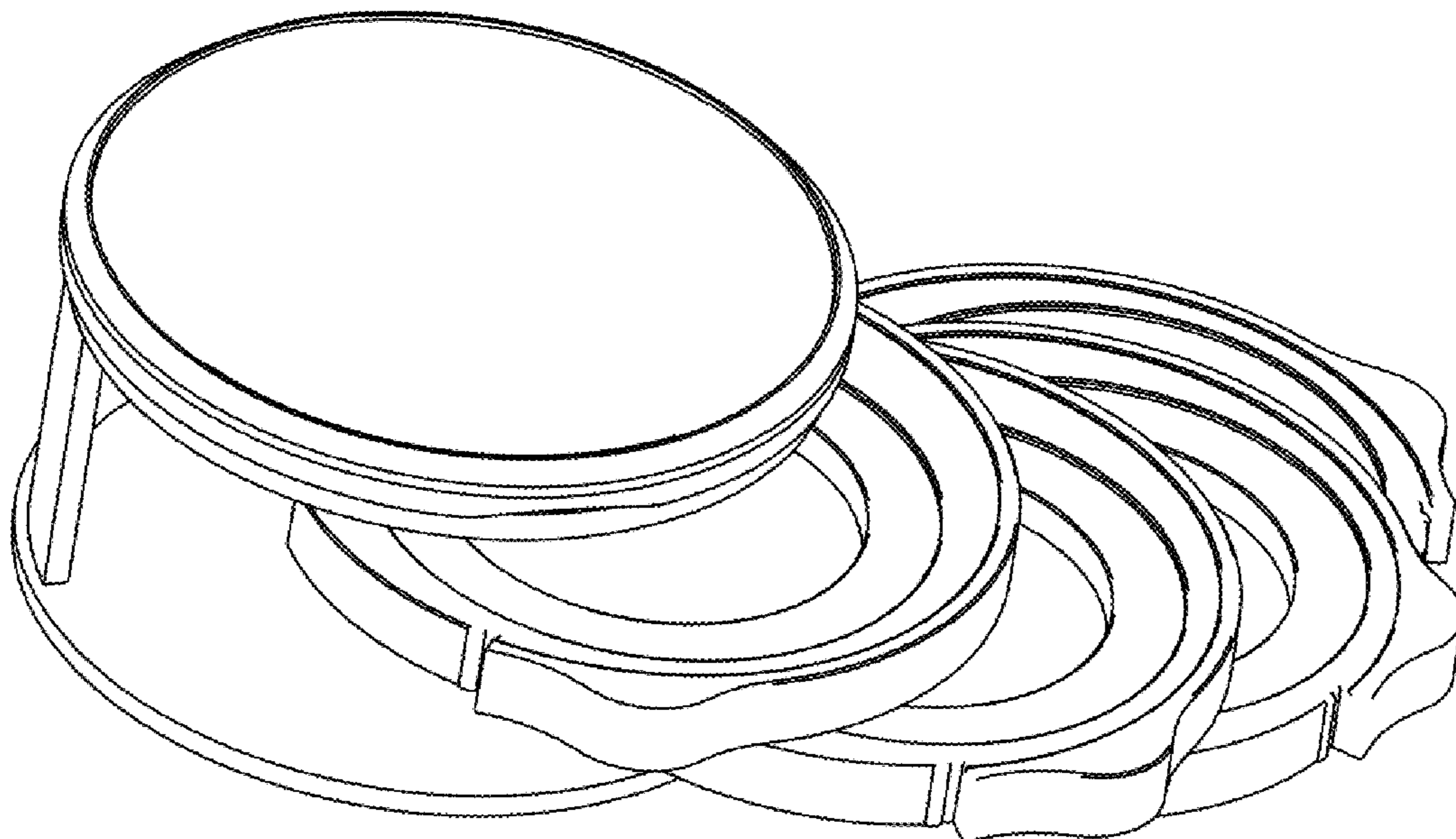


FIG. 1

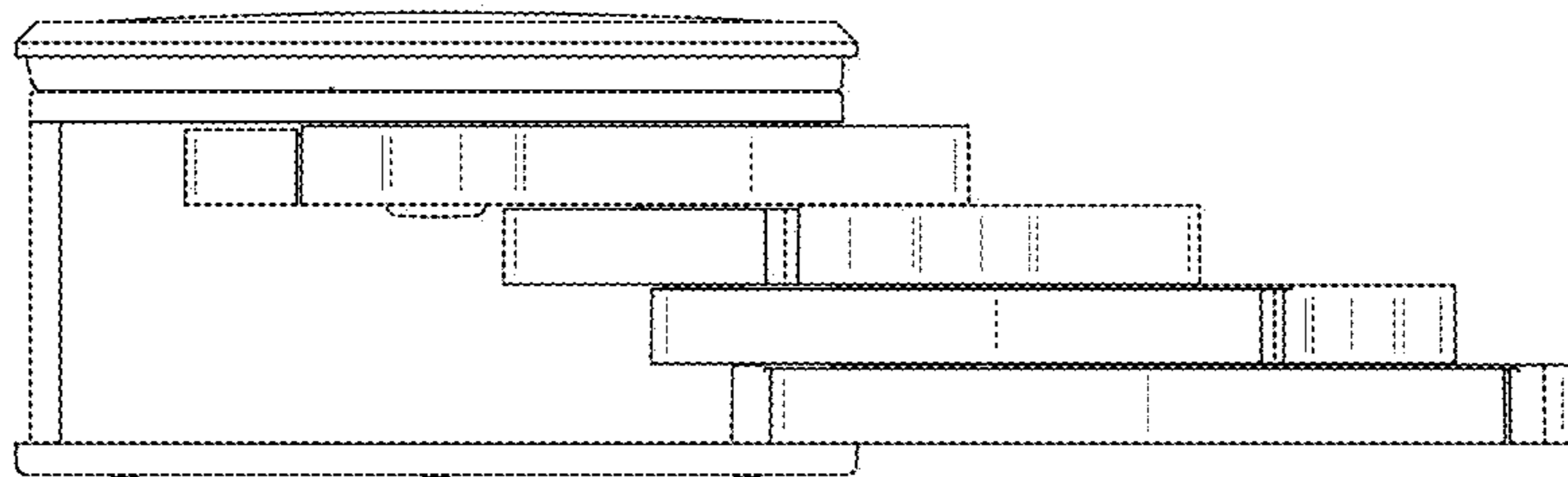


FIG. 2

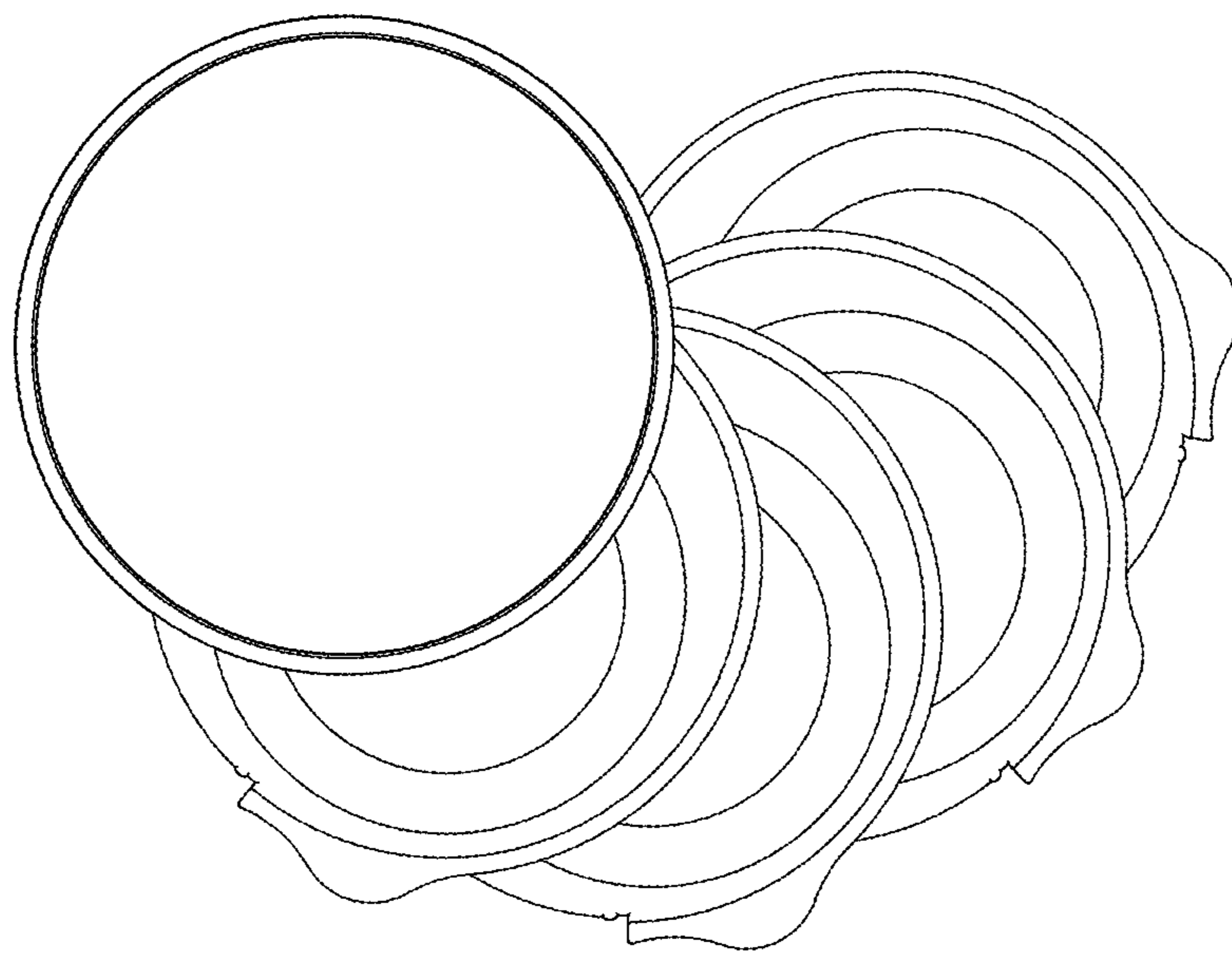


FIG. 3

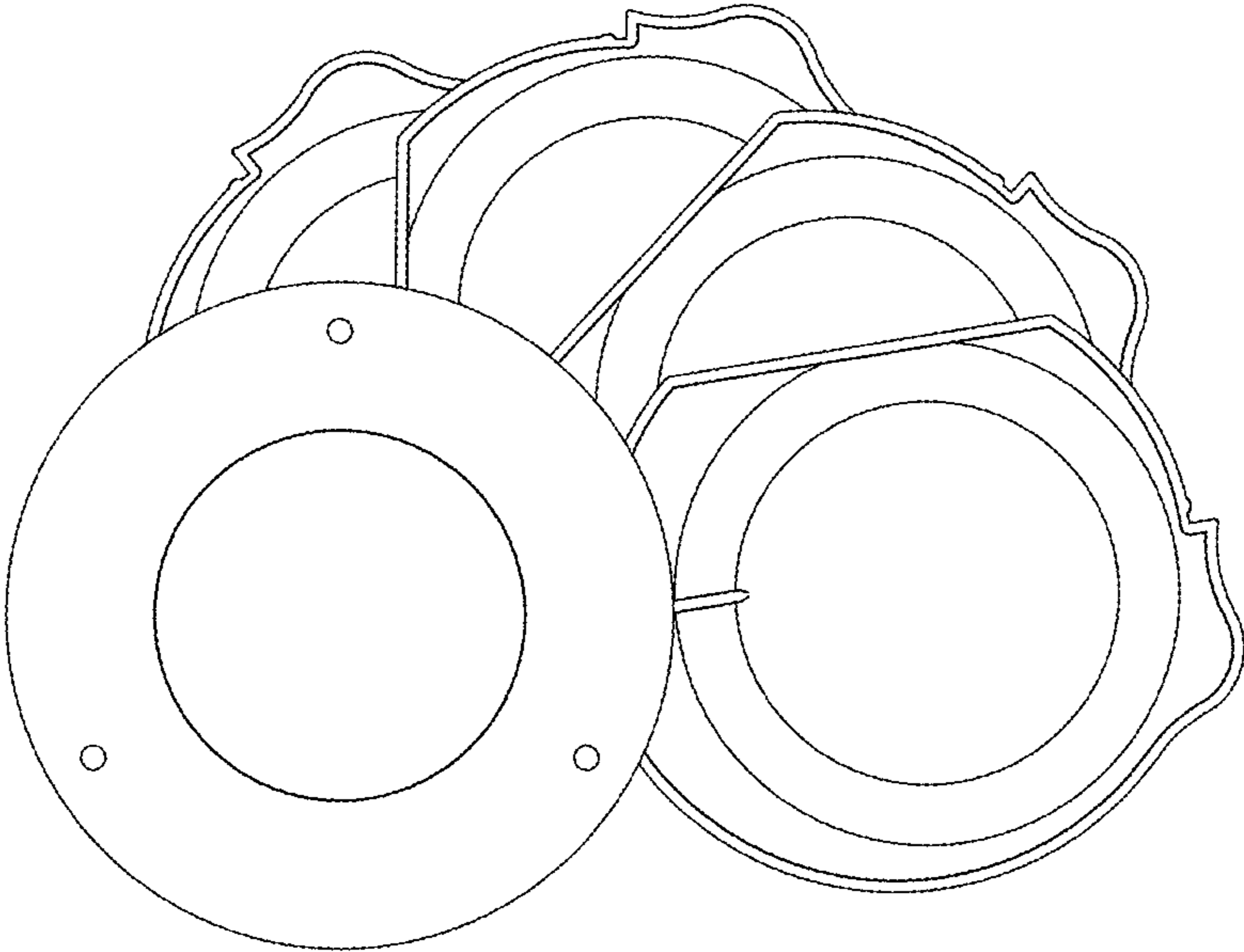


FIG. 4

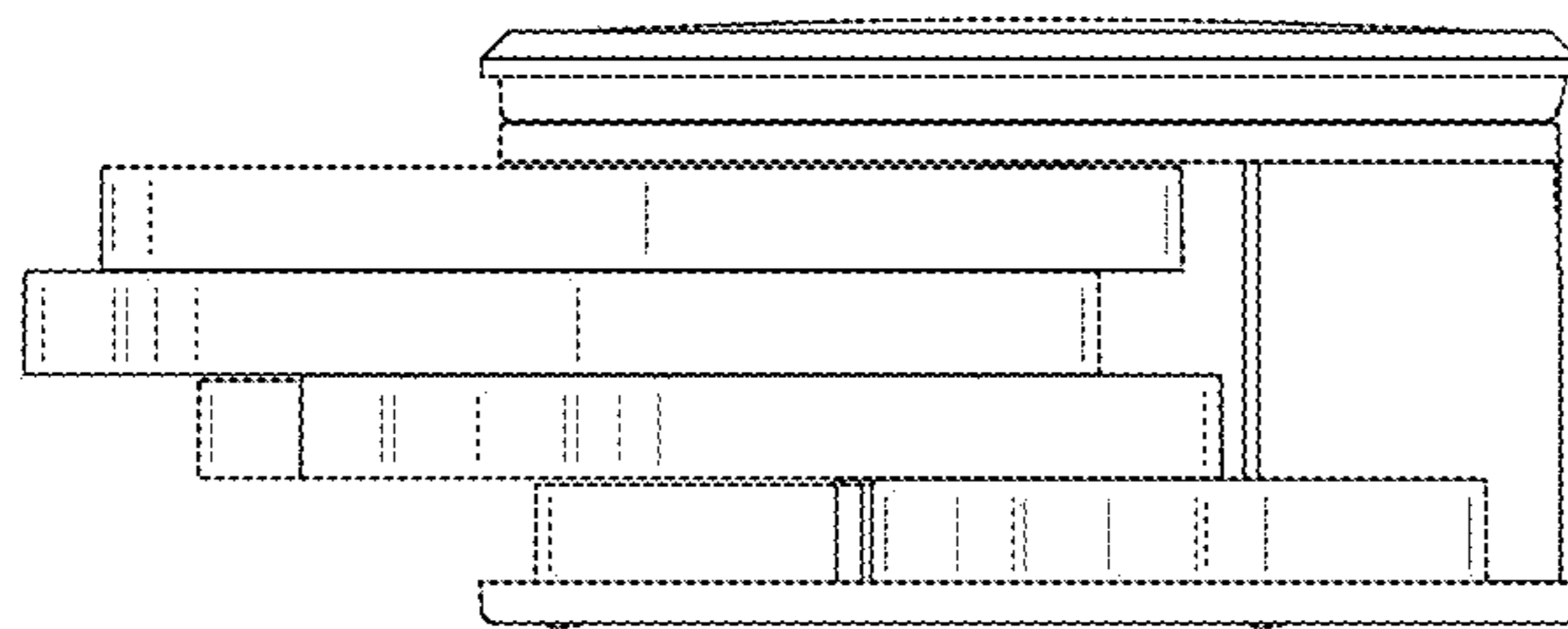


FIG. 5

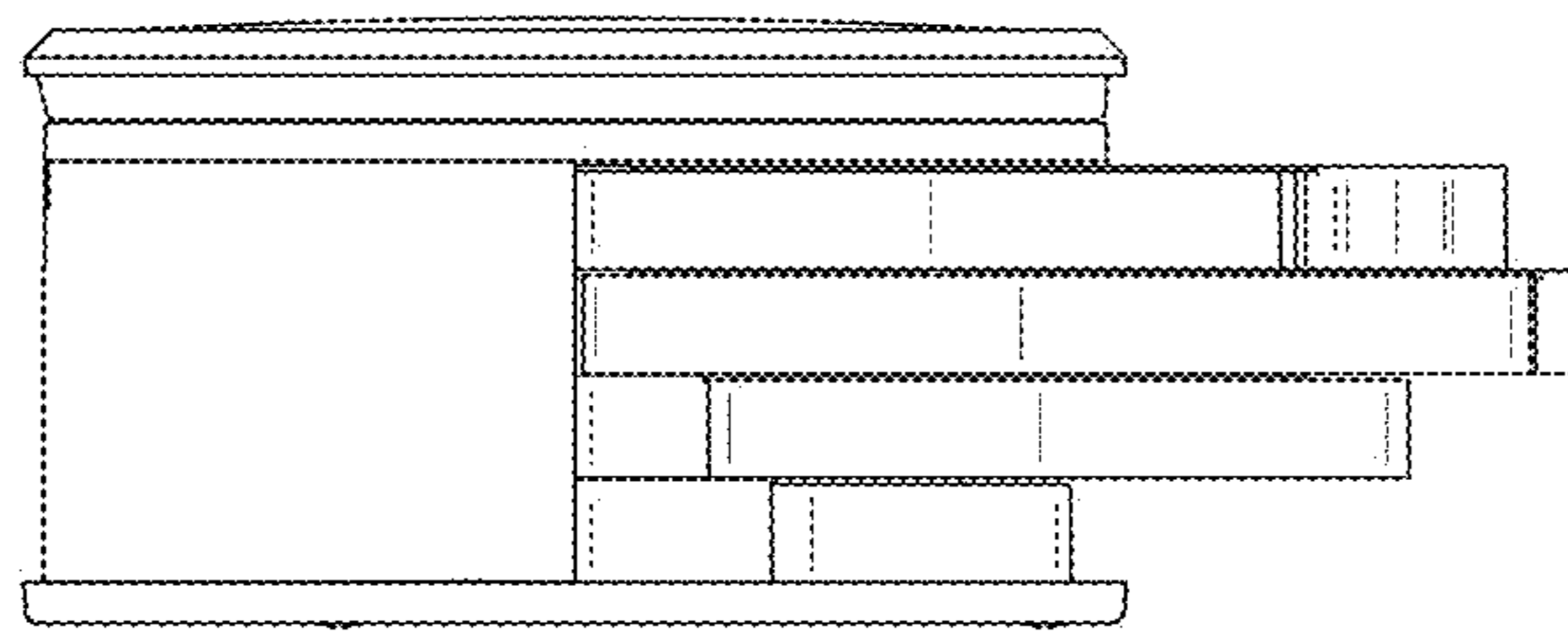


FIG. 6

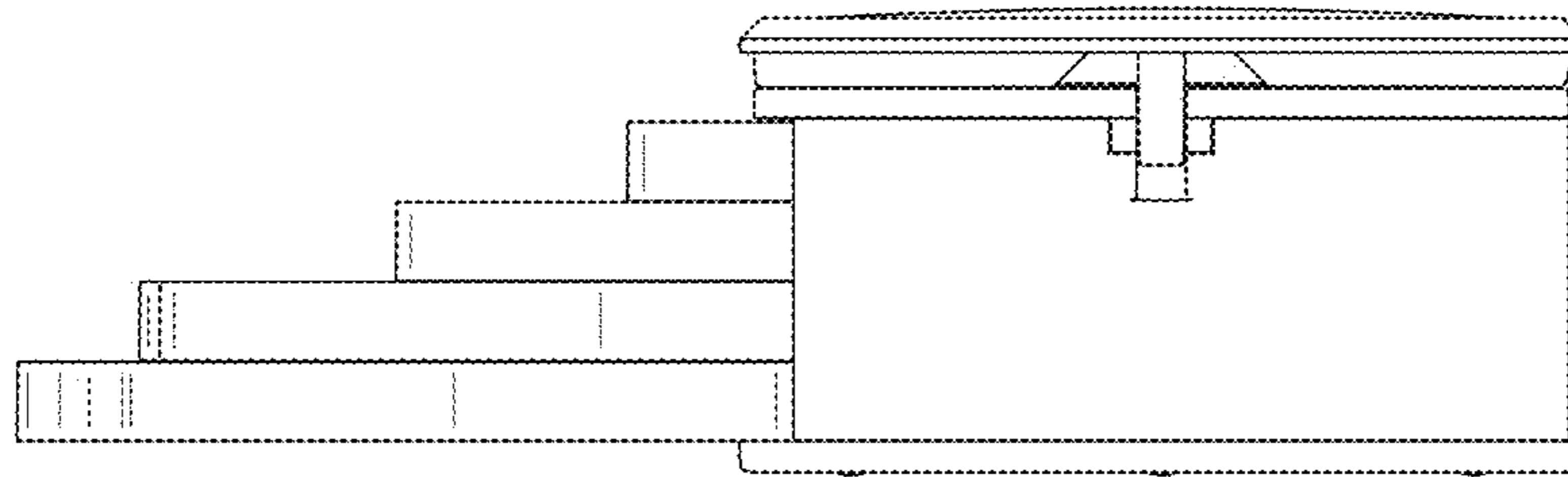


FIG. 7

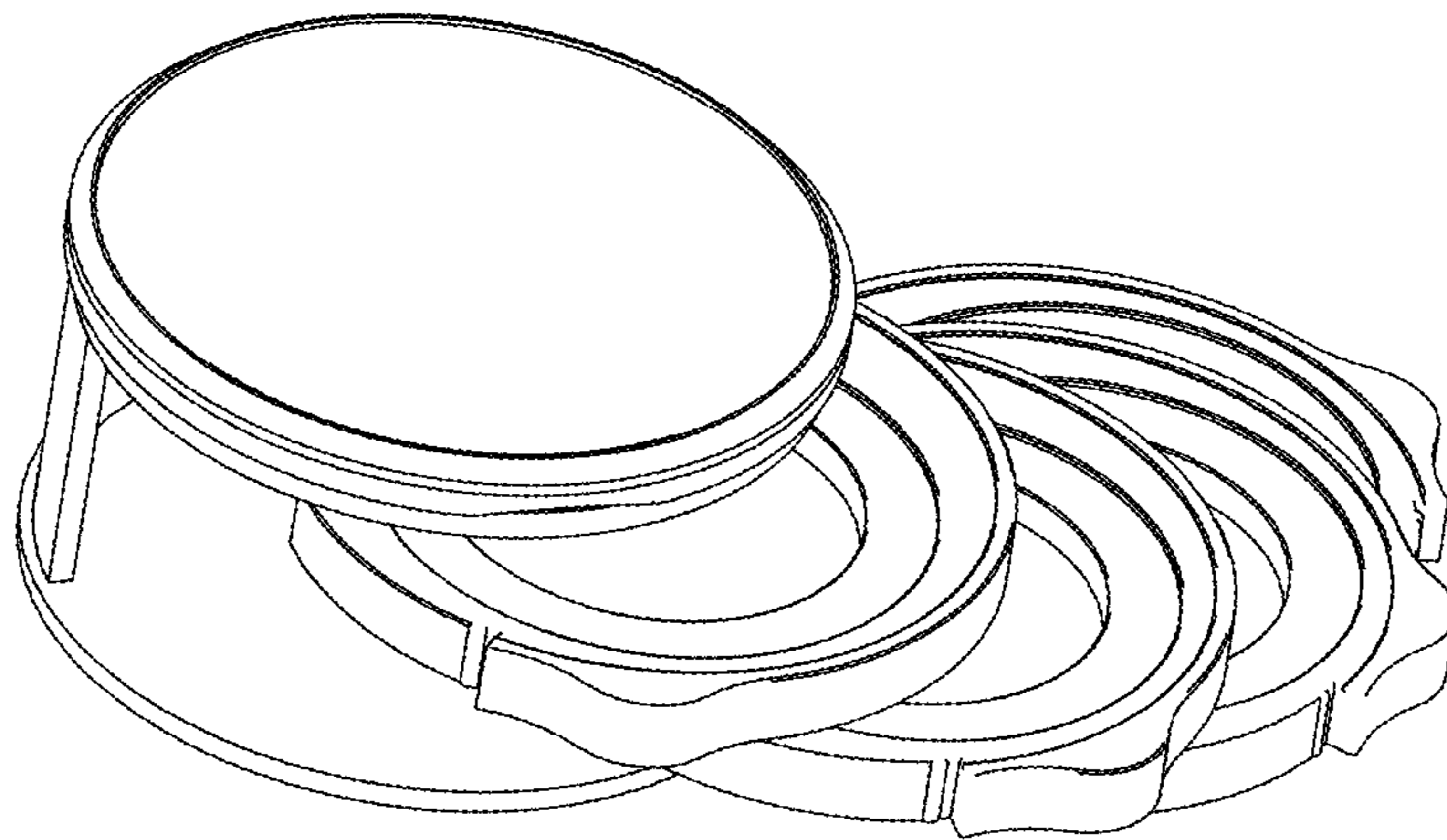


FIG. 8

