



US00D728858S

(12) **United States Design Patent**  
**Nish**

(10) **Patent No.:** **US D728,858 S**

(45) **Date of Patent:** **\*\* May 5, 2015**

(54) **RAZOR**  
(71) Applicant: **Craft Supplies USA**, Provo, UT (US)  
(72) Inventor: **Darrel Nish**, Provo, UT (US)  
(73) Assignee: **Craft Supplies USA**, Provo, UT (US)  
(\*\*) Term: **14 Years**  
(21) Appl. No.: **29/475,860**

5,648,637	A *	7/1997	Clark, III	102/438
7,086,336	B2 *	8/2006	Smalley et al.	102/430
D636,531	S *	4/2011	Wilson	D28/46
D646,179	S *	10/2011	Jansen	D9/680
D654,222	S *	2/2012	Coresh	D28/48
D694,471	S *	11/2013	Floyd et al.	D28/48
2007/0261587	A1 *	11/2007	Chung	102/469
2010/0305261	A1 *	12/2010	Maljkovic et al.	524/521
2011/0061555	A1 *	3/2011	Gustavsson et al.	102/440
2011/0214583	A1 *	9/2011	Dutch	102/464
2013/0048163	A1 *	2/2013	Hafner et al.	149/6
2014/0069290	A1 *	3/2014	Padgett et al.	102/466
2014/0137996	A1 *	5/2014	Hafner et al.	149/5

\* cited by examiner

(22) Filed: **Dec. 6, 2013**  
(51) **LOC (10) Cl.** ..... **28-03**  
(52) **U.S. Cl.**  
USPC ..... **D28/48**  
(58) **Field of Classification Search**  
CPC ..... B26B 21/00; B26B 21/12; B26B 21/14;  
B26B 21/16; B26B 21/165; B26B 21/18;  
B26B 21/185; B26B 21/20–21/227; B26B  
21/24; B26B 21/28; B26B 21/30; B26B  
21/32; B26B 21/40; B26B 21/4062; B26B  
21/4068; B26B 21/4075; B26B 21/52–21/528  
USPC ..... D28/44–48; D22/115–116  
See application file for complete search history.

*Primary Examiner* — Jennifer Rivard

(74) *Attorney, Agent, or Firm* — Brett Peterson; Pate Peterson PLLC

(57) **CLAIM**

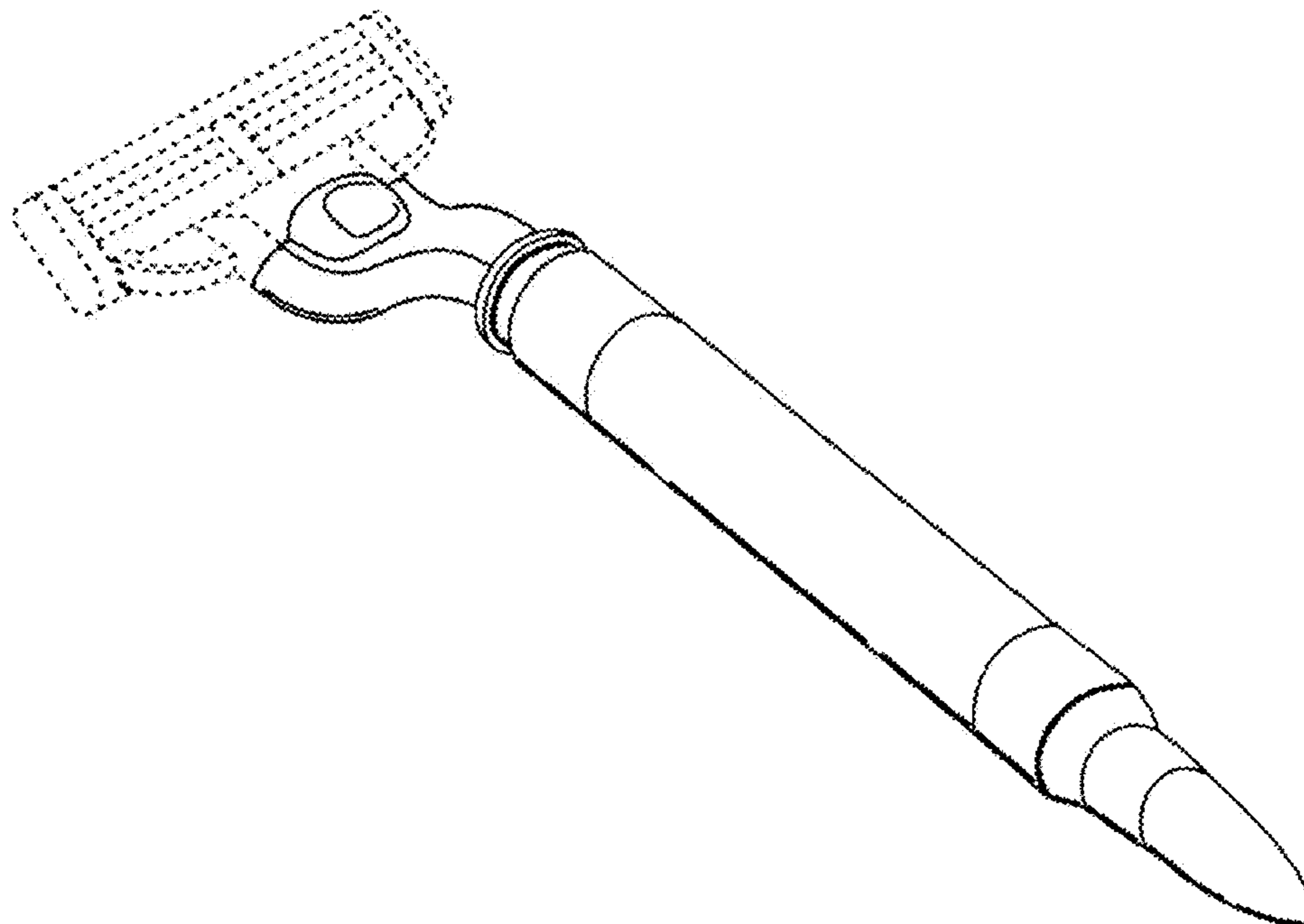
I claim the ornamental design for the razor, as shown and described.

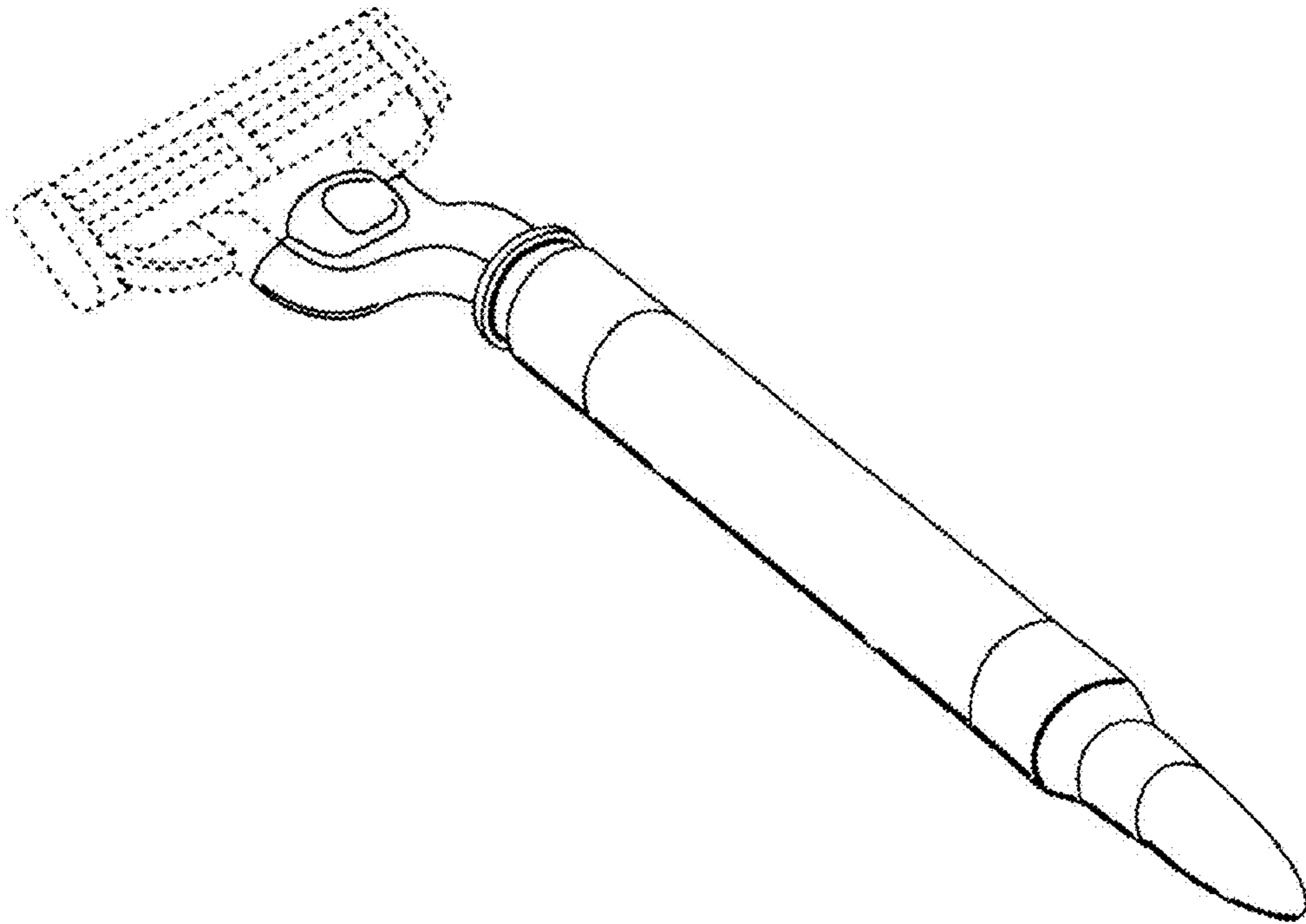
**DESCRIPTION**

FIG. 1 is a top perspective view of the razor.  
FIG. 2 is a top view of the razor.  
FIG. 3 is a bottom view of the razor.  
FIG. 4 is a left side view of the razor.  
FIG. 5 is a right side view of the razor.  
FIG. 6 is a back side view of the razor; and,  
FIG. 7 is a front side view of the razor.  
The broken lines illustrate a portion of the razor and form no part of the claimed design.

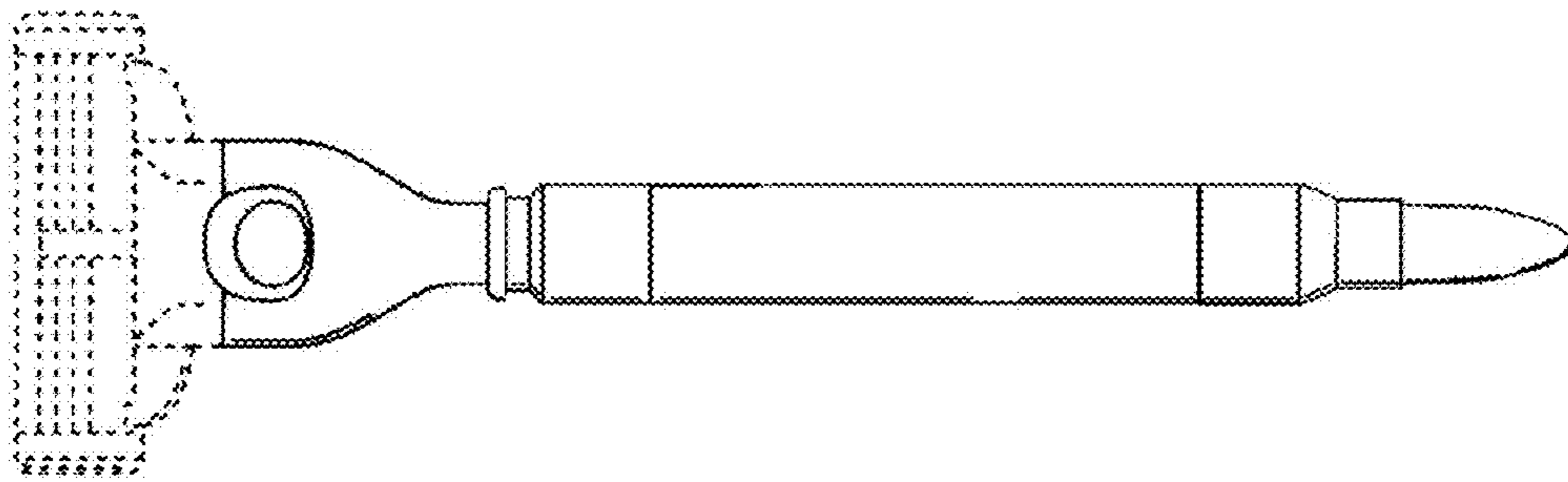
(56) **References Cited**  
U.S. PATENT DOCUMENTS  
3,209,691 A \* 10/1965 Herter ..... 102/464  
3,832,951 A \* 9/1974 Katz et al. .... 102/439  
D285,341 S \* 8/1986 Audette ..... D28/48  
5,463,959 A \* 11/1995 Kramer ..... 102/464

**1 Claim, 7 Drawing Sheets**

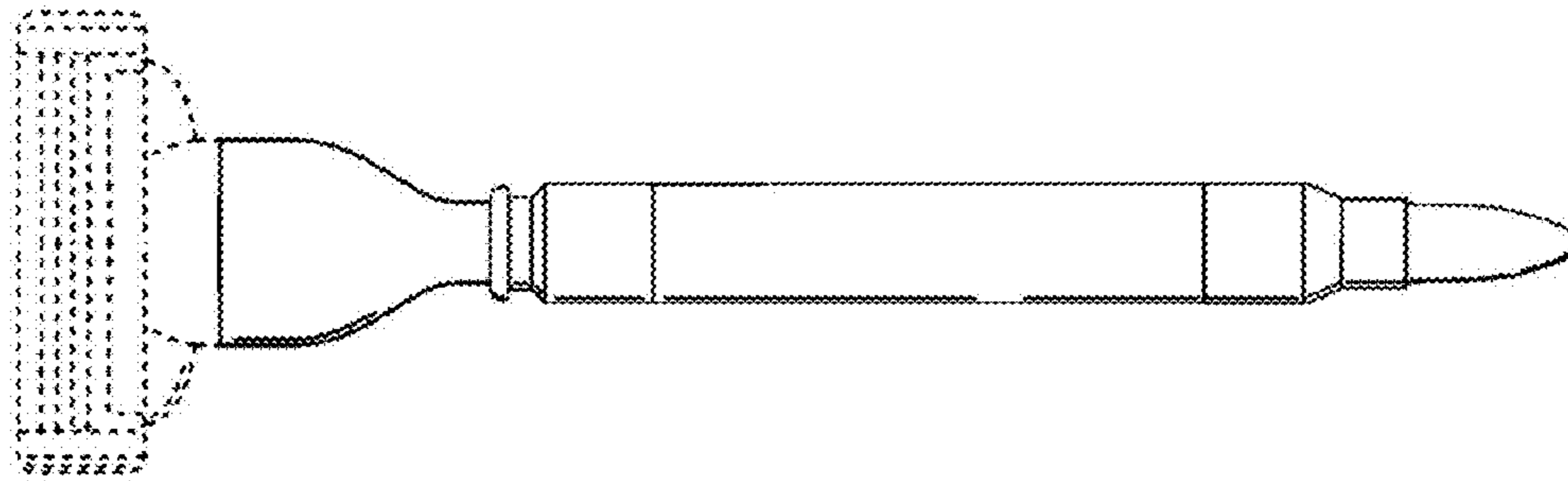




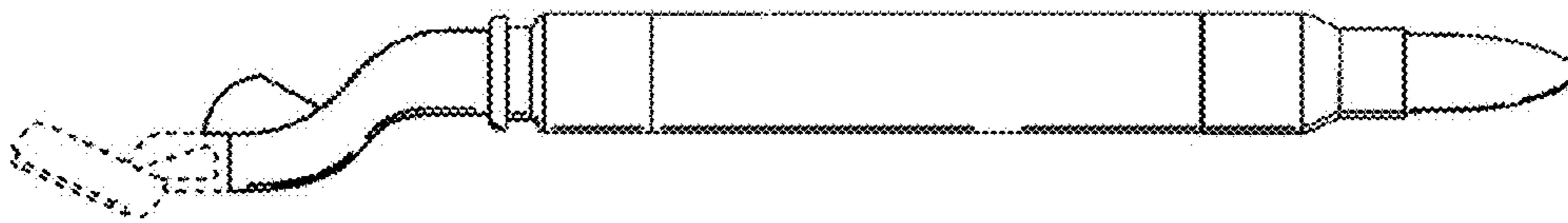
**FIG. 1**



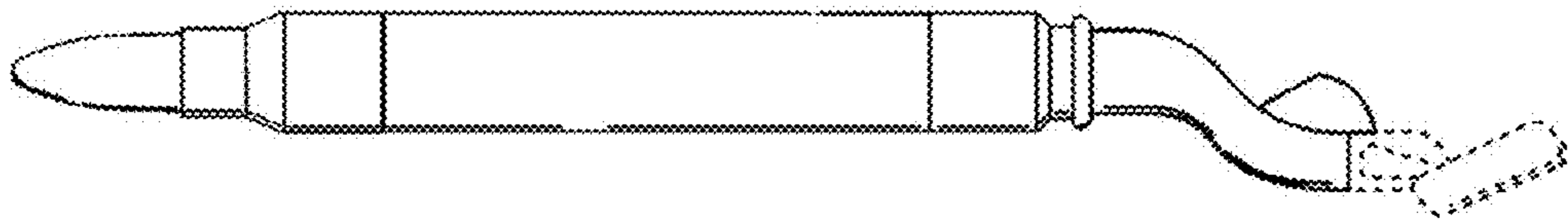
**FIG. 2**



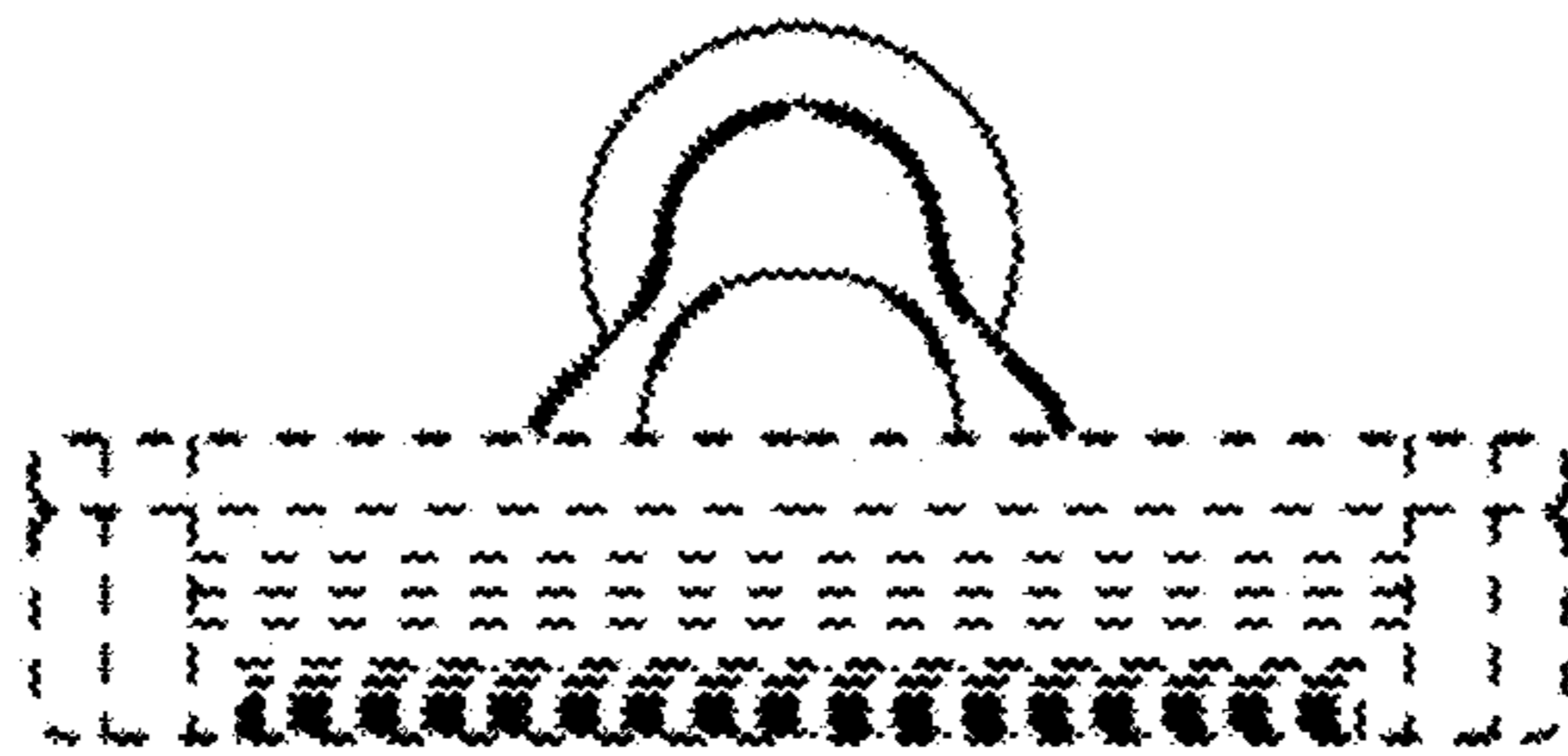
**FIG. 3**



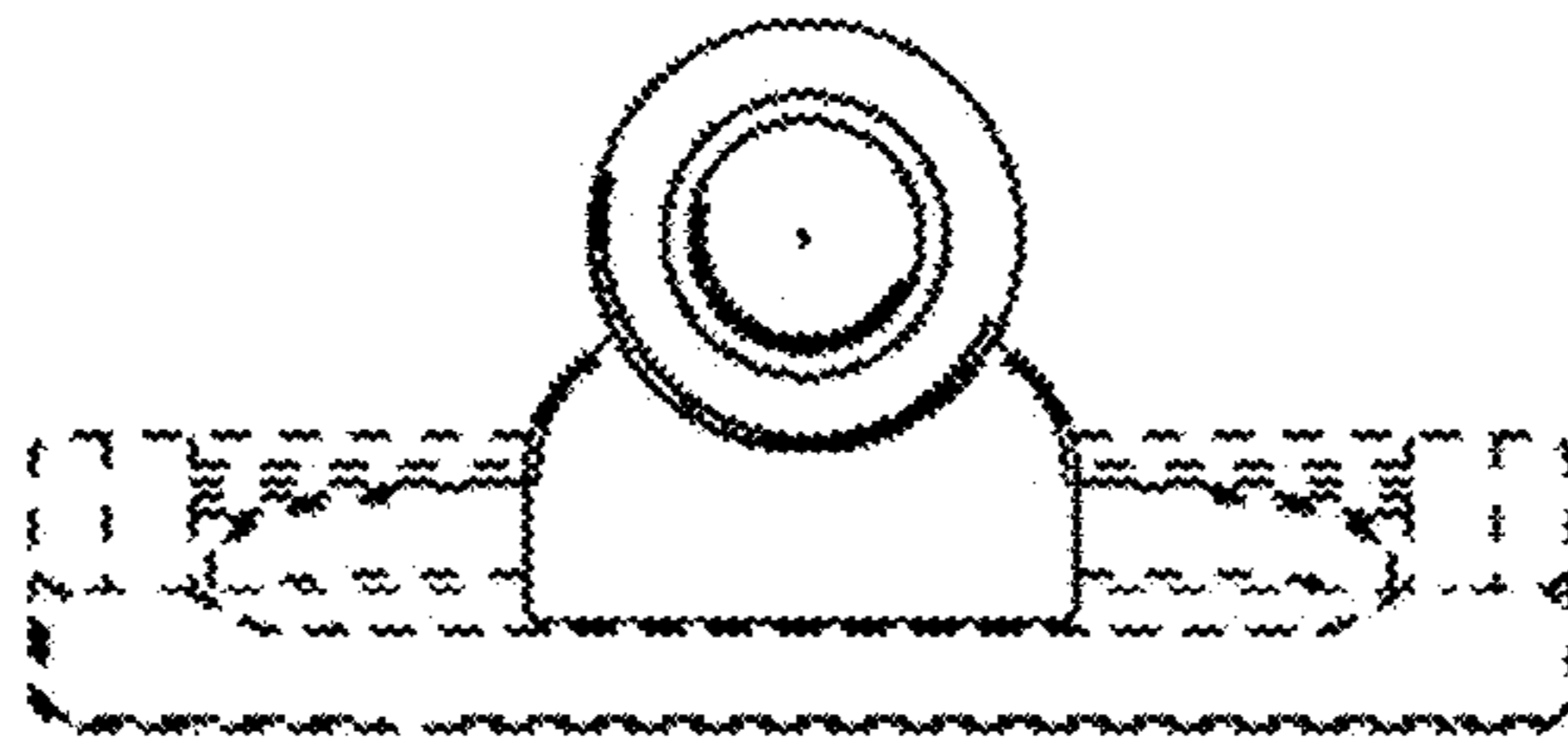
**FIG. 4**



**FIG. 5**



**FIG. 6**



**FIG. 7**