

US00D728856S

(12) **United States Design Patent**
Wang

(10) **Patent No.:** **US D728,856 S**

(45) **Date of Patent:** **** May 5, 2015**

(54) **COMB**

(71) Applicant: **Pacific Solution Marketing Inc.,**
Ontario, CA (US)

(72) Inventor: **Weide Wang,** Shanghai (CN)

(73) Assignee: **Pacific Solution Marketing Inc.,**
Ontario, CA (US)

(**) Term: **14 Years**

(21) Appl. No.: **29/470,971**

(22) Filed: **Oct. 25, 2013**

(51) **LOC (10) Cl.** **28-03**

(52) **U.S. Cl.**
USPC **D28/23**

(58) **Field of Classification Search**

CPC A45D 24/00; A45D 24/02; A45D 24/04;
A45D 24/06; A45D 24/08; A45D 24/10;
A45D 24/12; A45D 24/14; A45D 24/16;
A45D 24/18; A45D 24/20; A45D 24/22;
A45D 24/24; A45D 24/26; A45D 24/28;
A45D 24/30; A45D 24/032
USPC D28/7, 20-34; 132/53, 112, 126, 150,
132/208, 219.216; D32/49; 15/142, 143.1;
D30/158, 159

See application file for complete search history.

(56) **References Cited**

U.S. PATENT DOCUMENTS

5,865,188	A *	2/1999	Marquez	132/132
D428,669	S *	7/2000	Lucero	D28/25
6,195,898	B1 *	3/2001	Lemisch	30/153
6,510,856	B1 *	1/2003	Ahn	132/219
D602,199	S	10/2009	Ortega		
D643,575	S	8/2011	Peverini		
8,393,069	B2 *	3/2013	Glesser et al.	29/527.1
D702,879	S *	4/2014	Tsai	D28/7

* cited by examiner

Primary Examiner — Zenia Bennett

(74) *Attorney, Agent, or Firm* — KB Ash Law Group PC

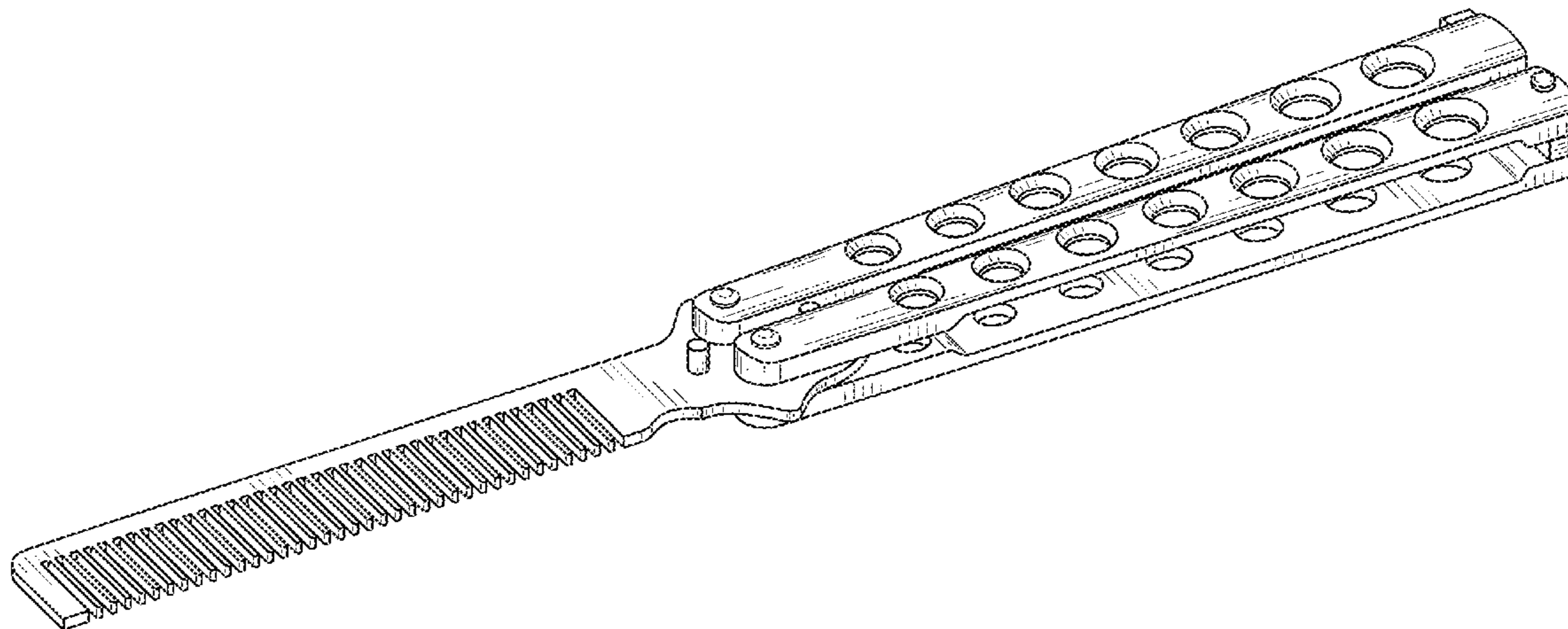
(57) **CLAIM**

The ornamental design for a comb, as shown and described.

DESCRIPTION

FIG. 1 is a perspective view of a comb, showing my new design;
FIG. 2 is a bottom view thereof;
FIG. 3 is a top view thereof;
FIG. 4 is a front view thereof;
FIG. 5 is a back view thereof;
FIG. 6 is a left side view thereof; and,
FIG. 7 is a right side view thereof.

1 Claim, 3 Drawing Sheets



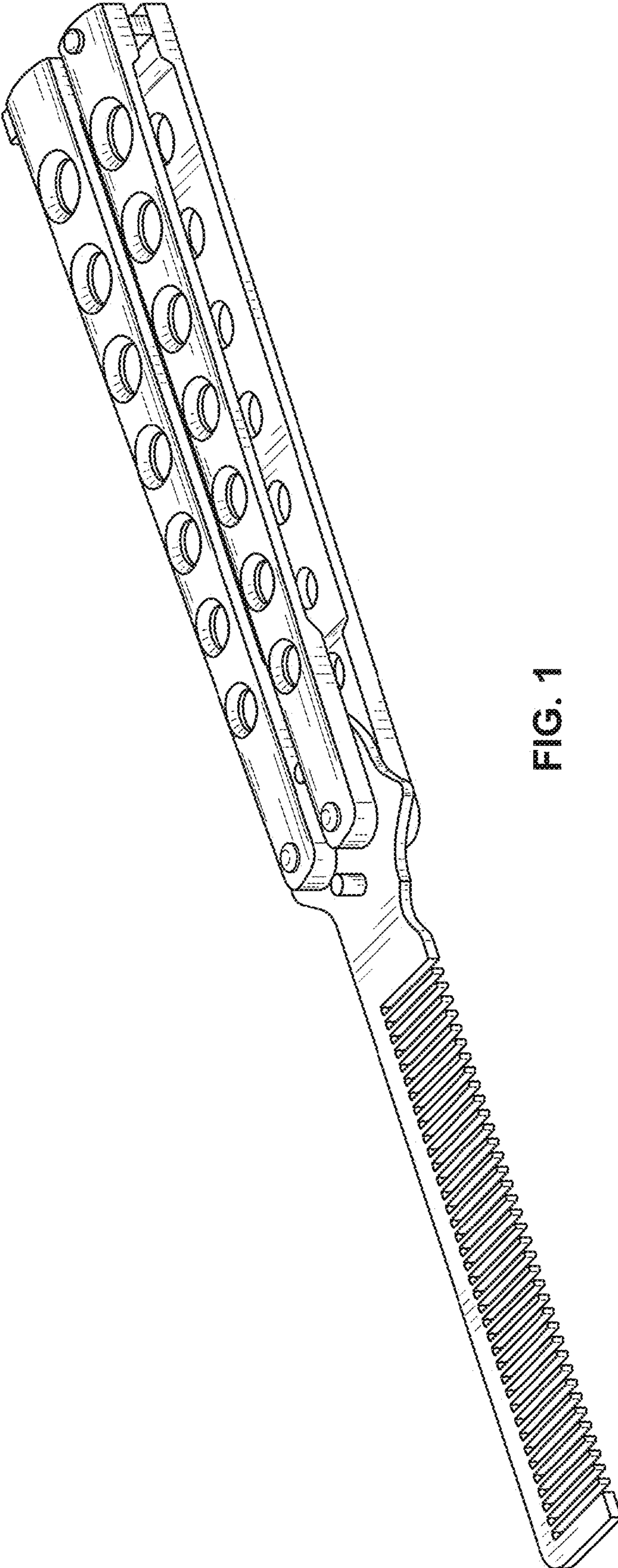


FIG. 1

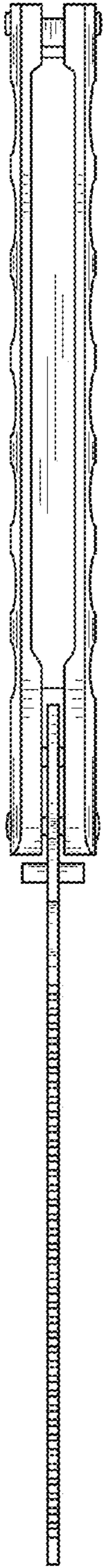


FIG. 2

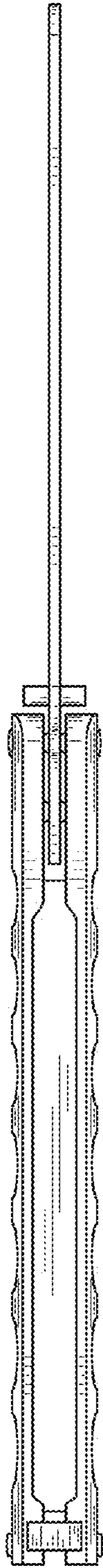


FIG. 3

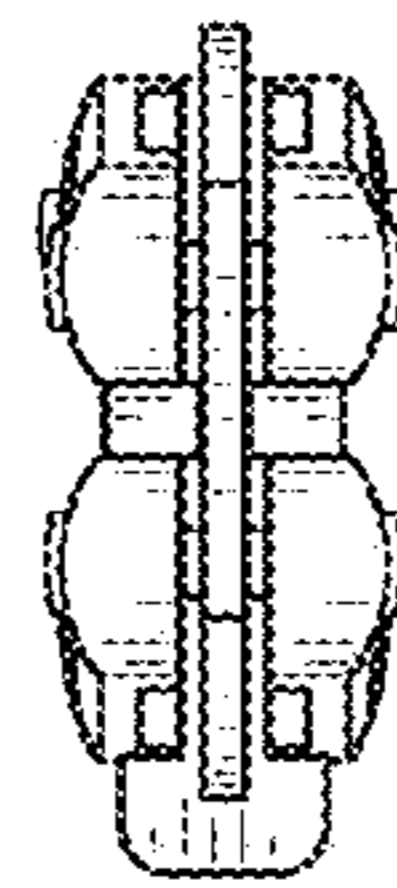


FIG. 4

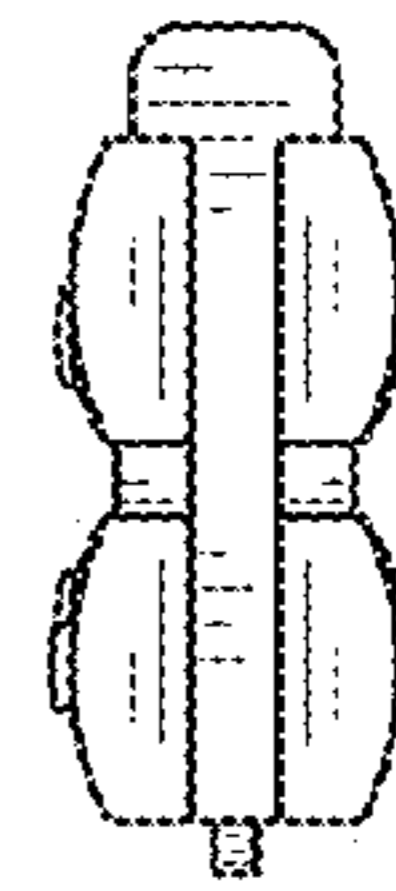


FIG. 5

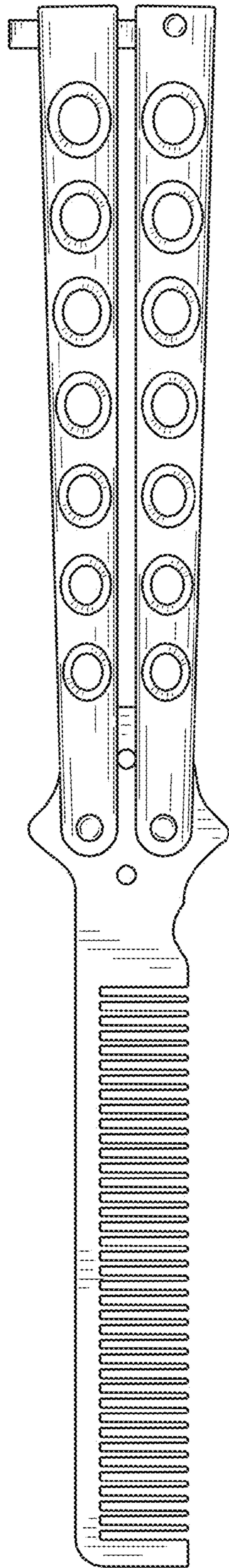


FIG. 6

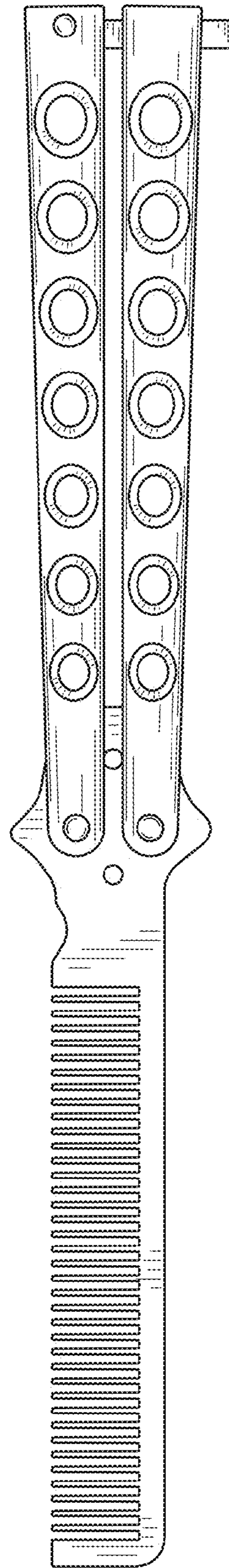


FIG. 7